

US00D504091S

(12) **United States Design Patent**
Ishibashi et al.

(10) **Patent No.:** **US D504,091 S**
(45) **Date of Patent:** **** Apr. 19, 2005**

(54) **REAR BUMPER FOR AN AUTOMOBILE**

(75) Inventors: **Hiroshi Ishibashi**, Saitama (JP);
Hirotsugu Nogami, Saitama (JP)

(73) Assignee: **Honda Giken Kogyo Kabushiki Kaisha**, Tokyo (JP)

(**) Term: **14 Years**

(21) Appl. No.: **29/188,136**

(22) Filed: **Aug. 14, 2003**

(30) **Foreign Application Priority Data**

Feb. 20, 2003 (JP) 2003-004149

(51) **LOC (7) Cl.** **12-16**

(52) **U.S. Cl.** **D12/169**

(58) **Field of Search** D12/169, 196,
D12/90-92; 293/102, 113, 115, 117, 120;
296/180.1, 180.2

(56) **References Cited**

U.S. PATENT DOCUMENTS

D461,149 S * 8/2002 Sinkwitz D12/169
D476,928 S * 7/2003 Boyer D12/169
D490,755 S * 6/2004 Platto et al. D12/169
D490,756 S * 6/2004 Velazco D12/169

FOREIGN PATENT DOCUMENTS

JP 1029667 1/1999

JP D1078646 4/2000
JP 1078646 4/2000
JP 1078646 7/2000
JP 1095632 1/2001
JP 1112305 6/2001
JP 1170265 4/2003
JP 1193034 12/2003

OTHER PUBLICATIONS

Notification of Refusal Reasons, date issued Jan. 30, 2004.

* cited by examiner

Primary Examiner—Melody N. Brown

(74) *Attorney, Agent, or Firm*—Westerman, Hattori,
Daniels & Adrian, LLP

(57) **CLAIM**

The ornamental design for, A rear bumper for an automobile,
as shown and described.

DESCRIPTION

FIG. 1 is a front elevation view of A rear bumper for an
automobile, showing our new design;
FIG. 2 is a rear elevation view thereof;
FIG. 3 is a top plan view thereof;
FIG. 4 is a bottom plan view thereof;
FIG. 5 is a right side elevation view thereof;
FIG. 6 is a left side elevation view thereof;
FIG. 7 is a perspective view thereof; and,
FIG. 8 is a second perspective view thereof.

1 Claim, 8 Drawing Sheets

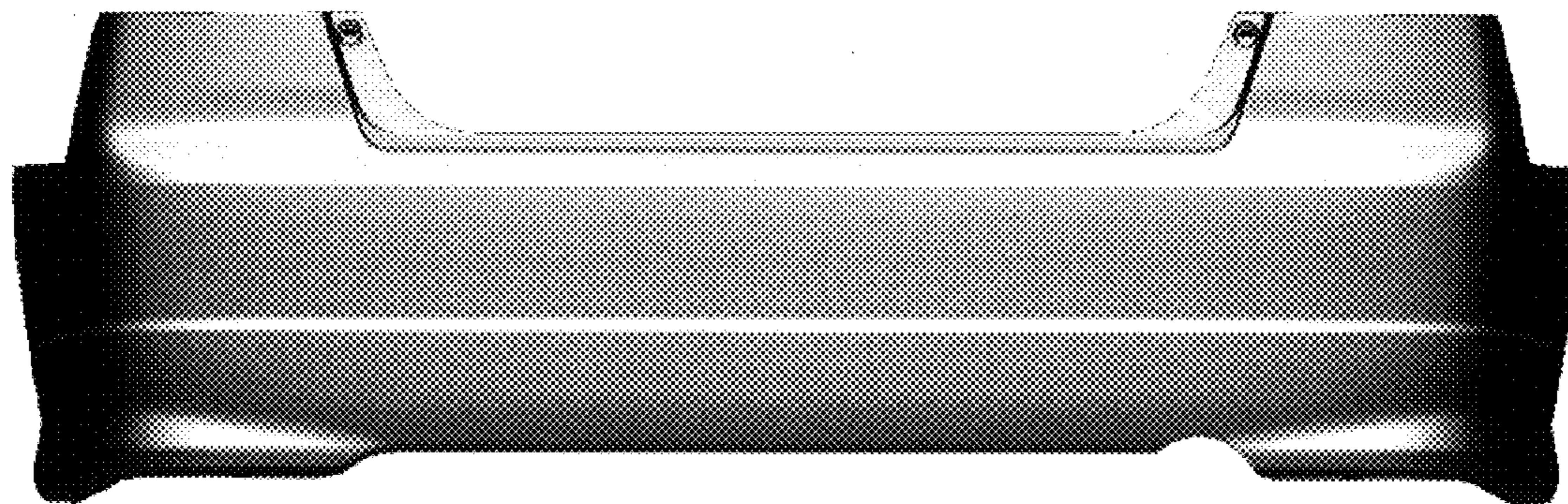


FIG. 1

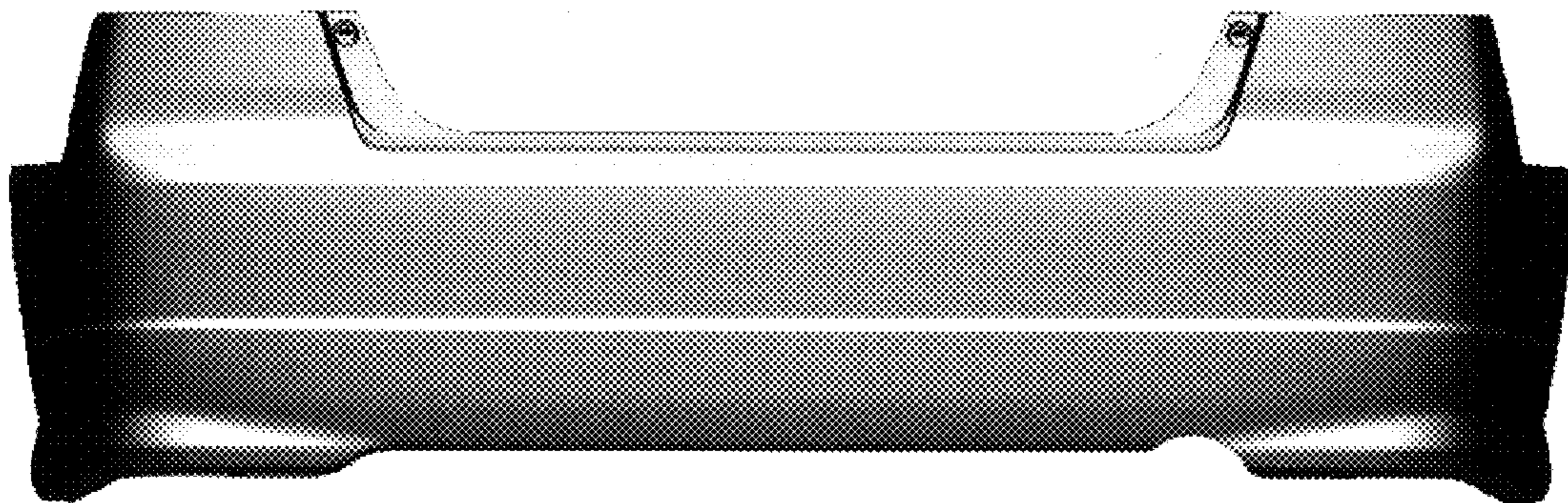


FIG. 2

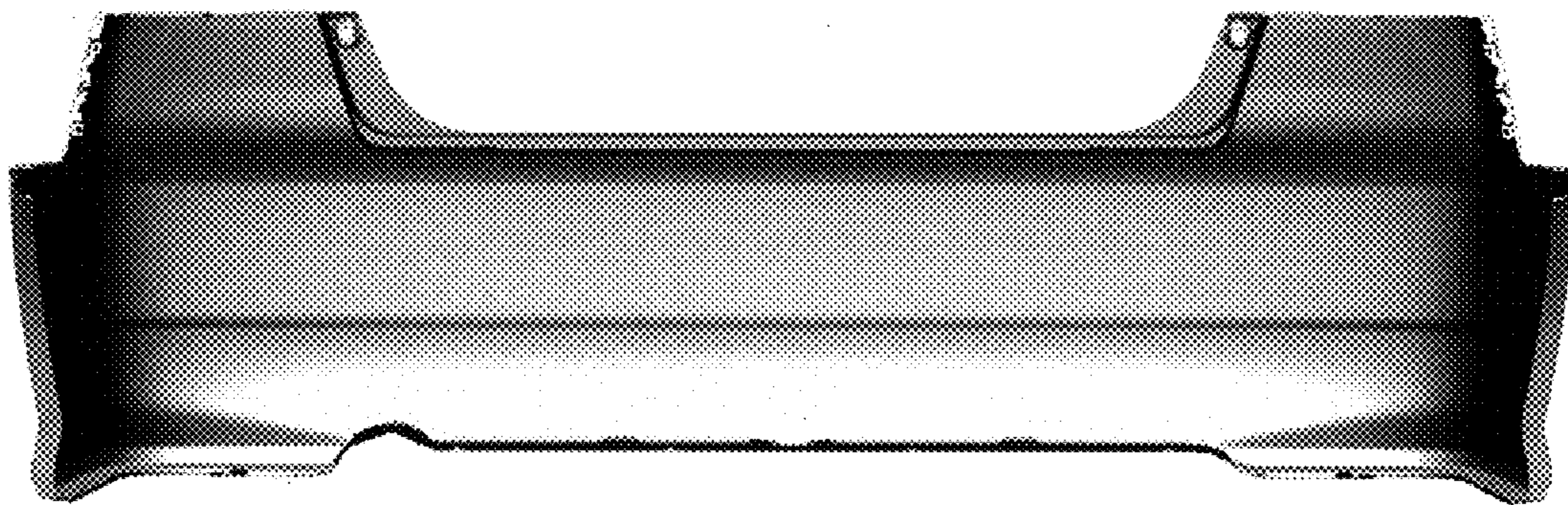


FIG. 3

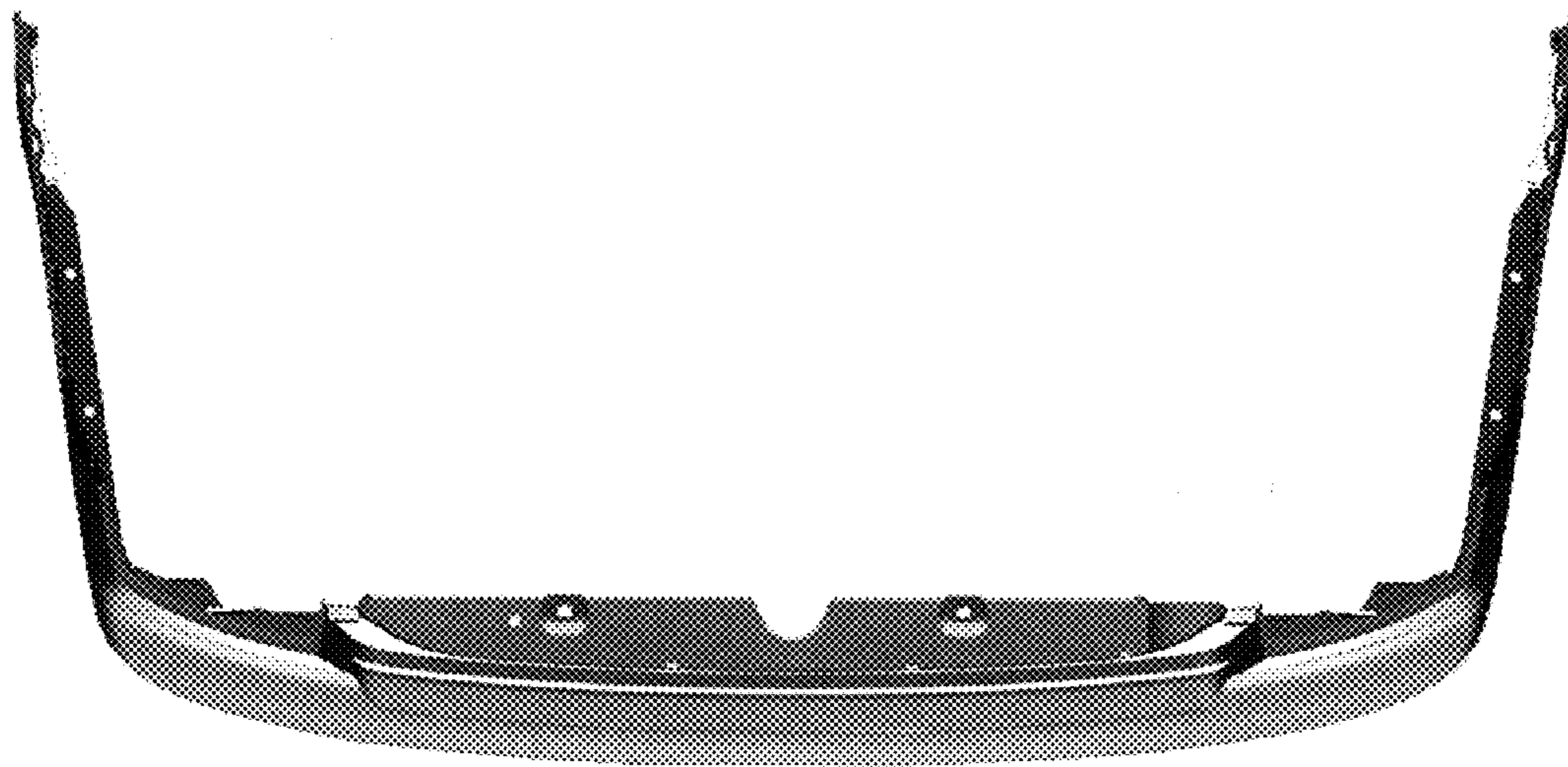


FIG. 4

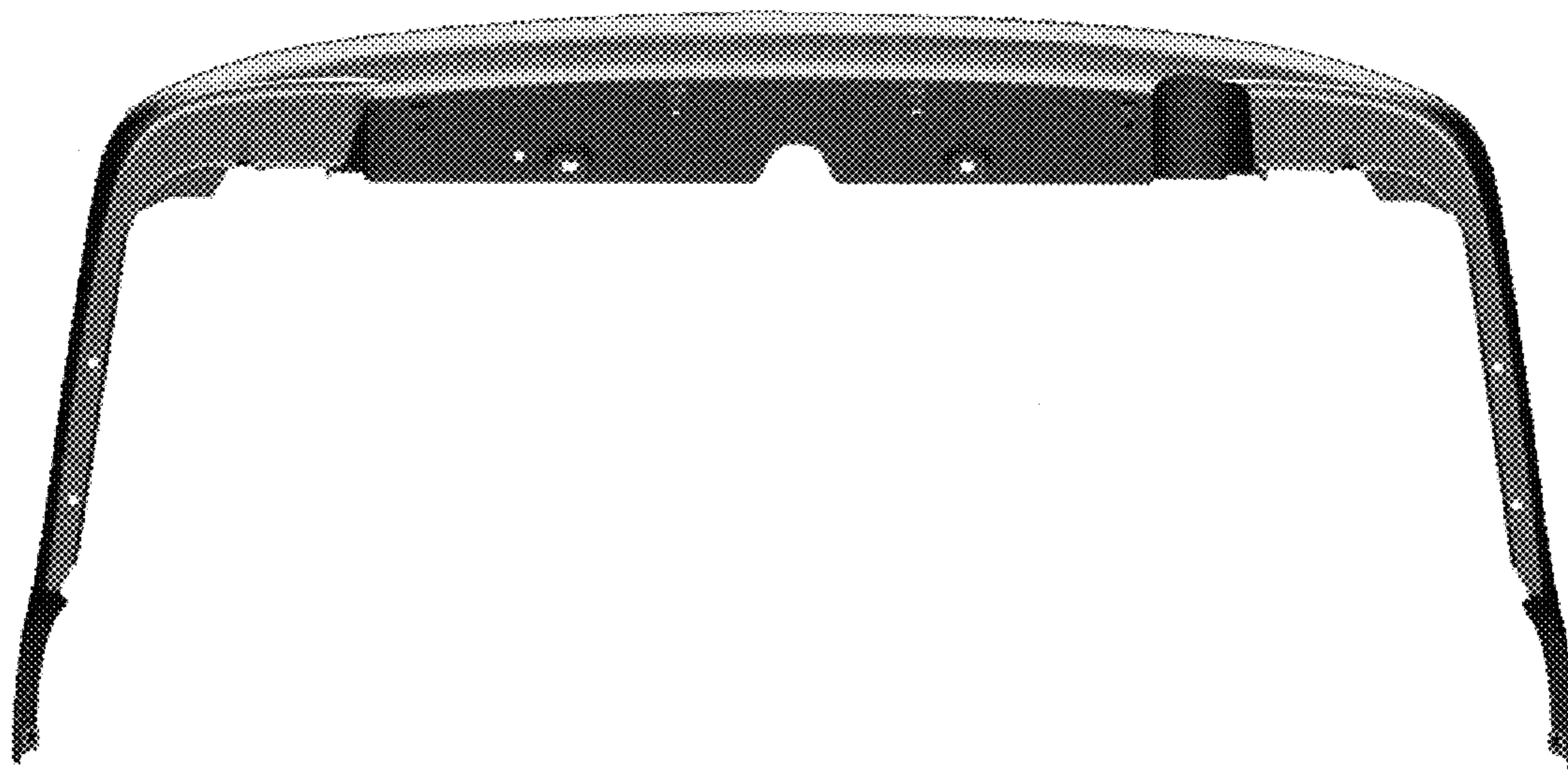


FIG. 5

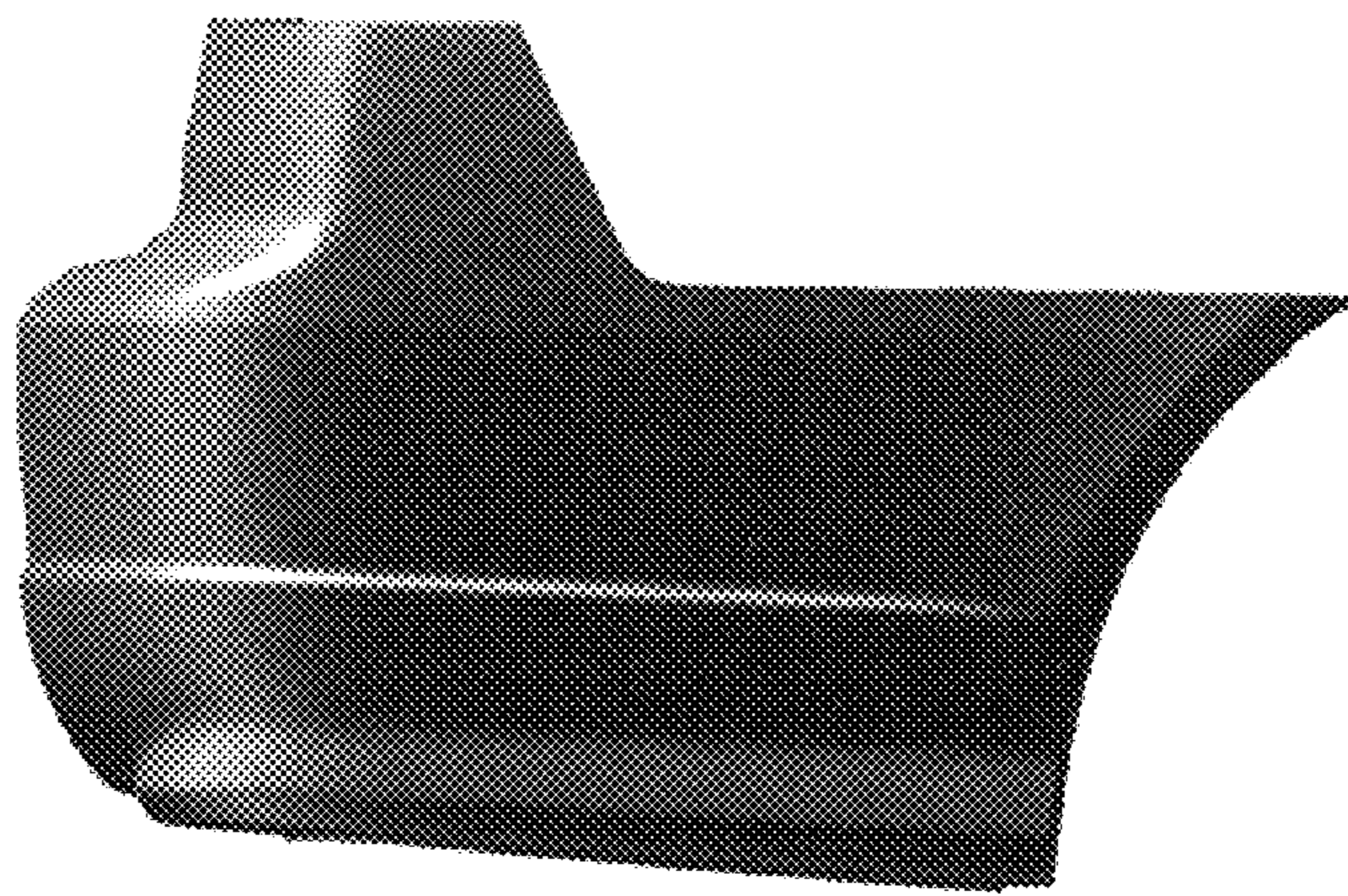


FIG. 6

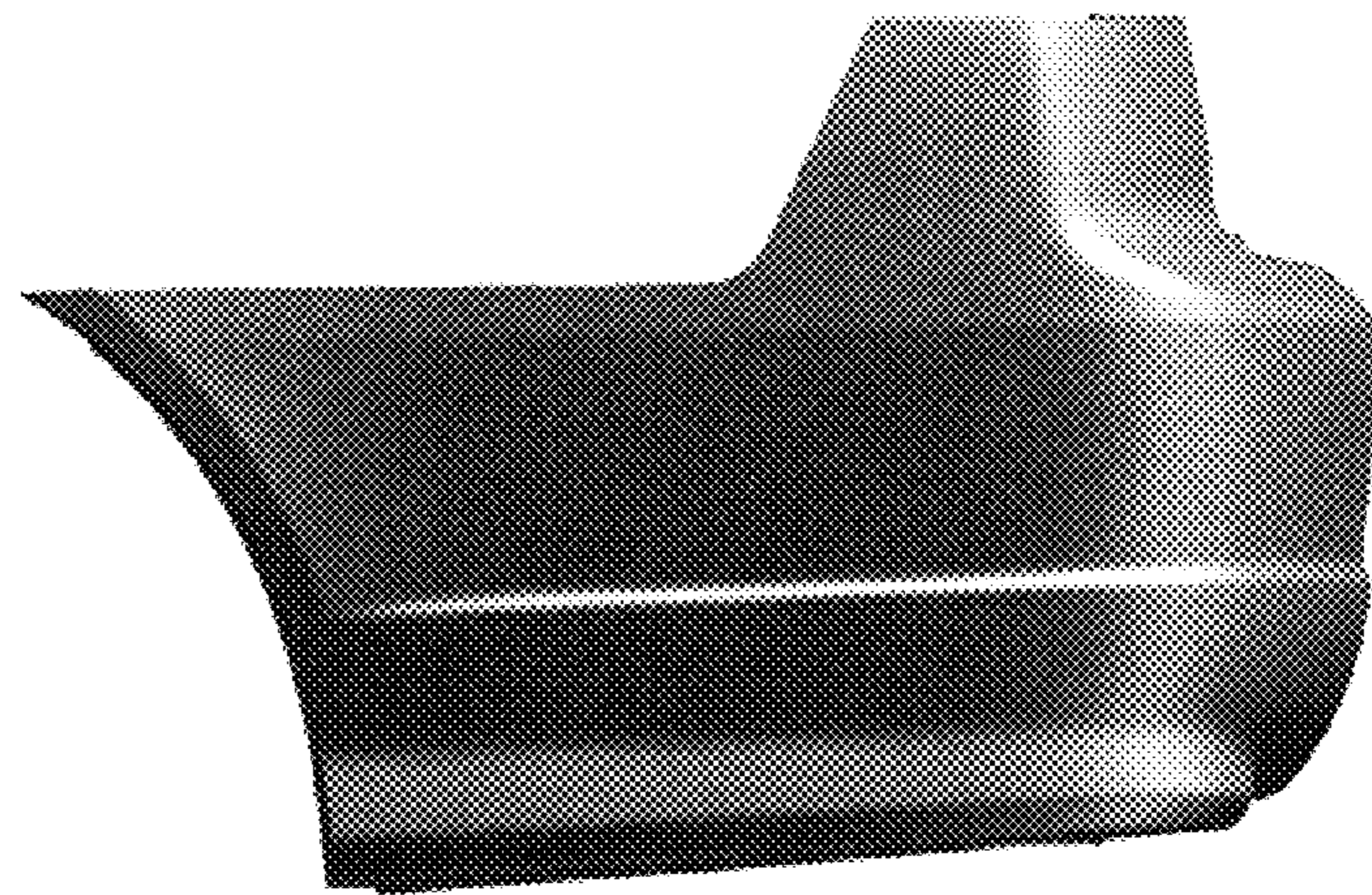


FIG. 7

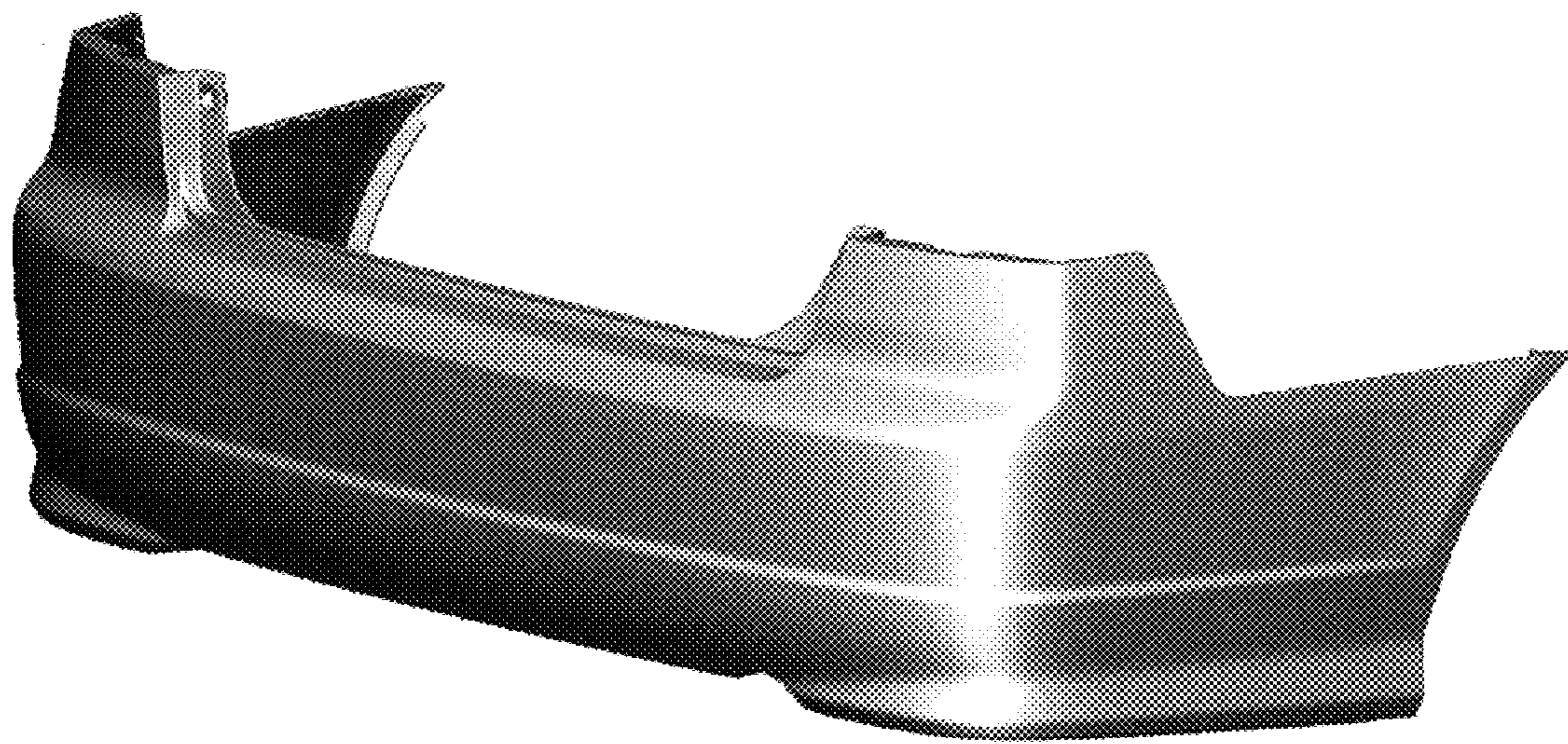


FIG. 8

