

US00D504086S

(12) **United States Design Patent**  
**Harbaugh**

(10) **Patent No.:** **US D504,086 S**

(45) **Date of Patent:** **\*\* Apr. 19, 2005**

(54) **PLANTER**

(76) **Inventor:** **Kenneth A. Harbaugh, 9886**  
Riverwood Ct., Douglasville, GA (US)  
30135

(\*\*) **Term:** **14 Years**

(21) **Appl. No.:** **29/199,989**

(22) **Filed:** **Feb. 23, 2004**

(51) **LOC (7) Cl.** ..... **11-02**

(52) **U.S. Cl.** ..... **D11/152; D11/153**

(58) **Field of Search** ..... **D11/143, 148-149,**  
**D11/151-154; 47/65.5, 65.7, 67, 71, 72,**  
**76, 78; 206/423; 248/27.8; D7/518, 521,**  
**523, 530, 564, 565; 217/122; D3/306**

(56) **References Cited**

**U.S. PATENT DOCUMENTS**

3,679,119 A \* 7/1972 Copping ..... 47/78

D479,695 S \* 9/2003 Harbaugh ..... D11/152  
D485,785 S \* 1/2004 Harbaugh ..... D11/151  
D490,017 S \* 5/2004 Harbaugh ..... D11/152  
D490,341 S \* 5/2004 Harbaugh ..... D11/149

\* cited by examiner

*Primary Examiner*—Mimosa De

(74) *Attorney, Agent, or Firm*—Kilpatrick Stockton LLP

(57) **CLAIM**

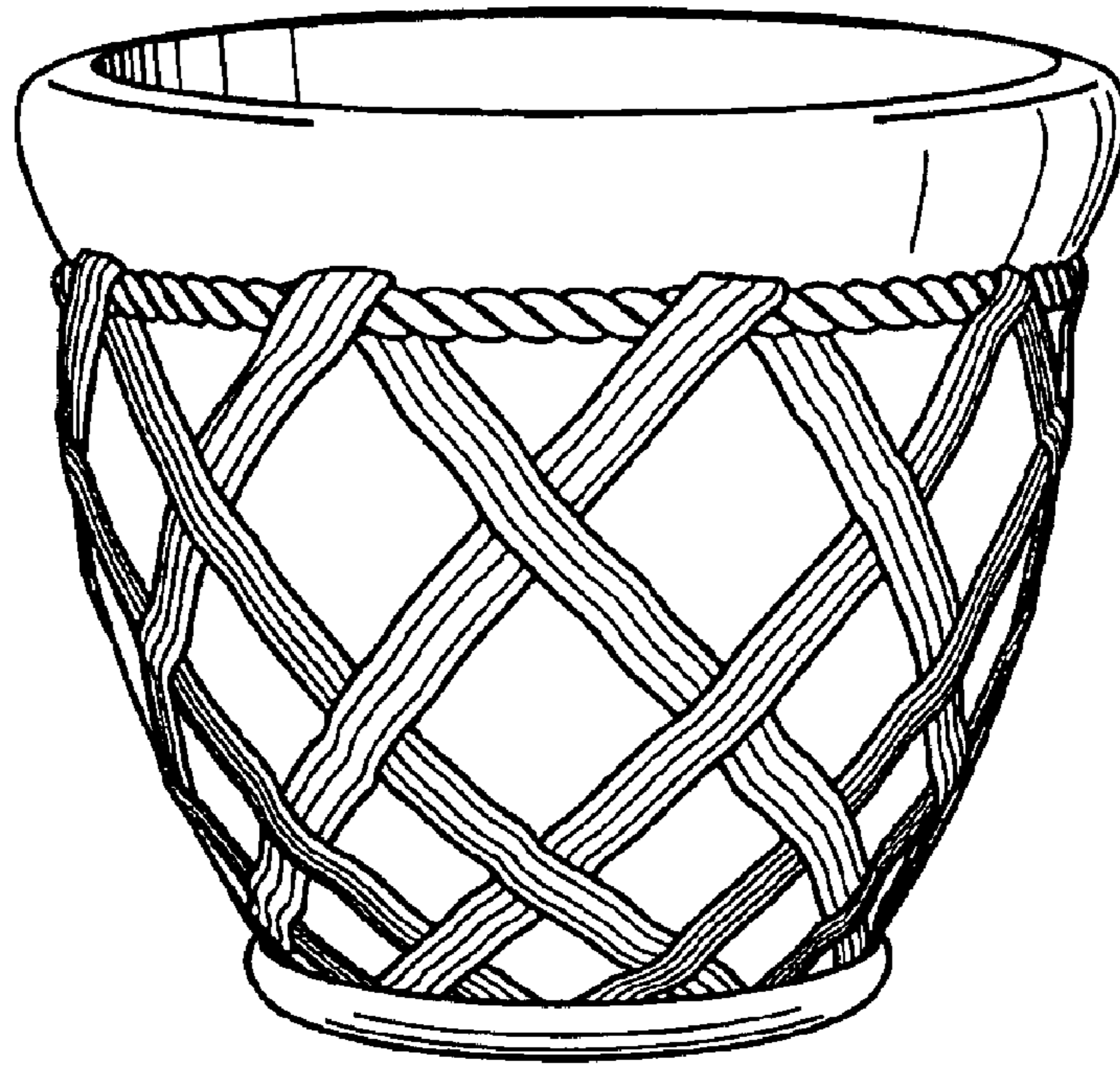
The ornamental design for a planter, substantially as shown and described.

**DESCRIPTION**

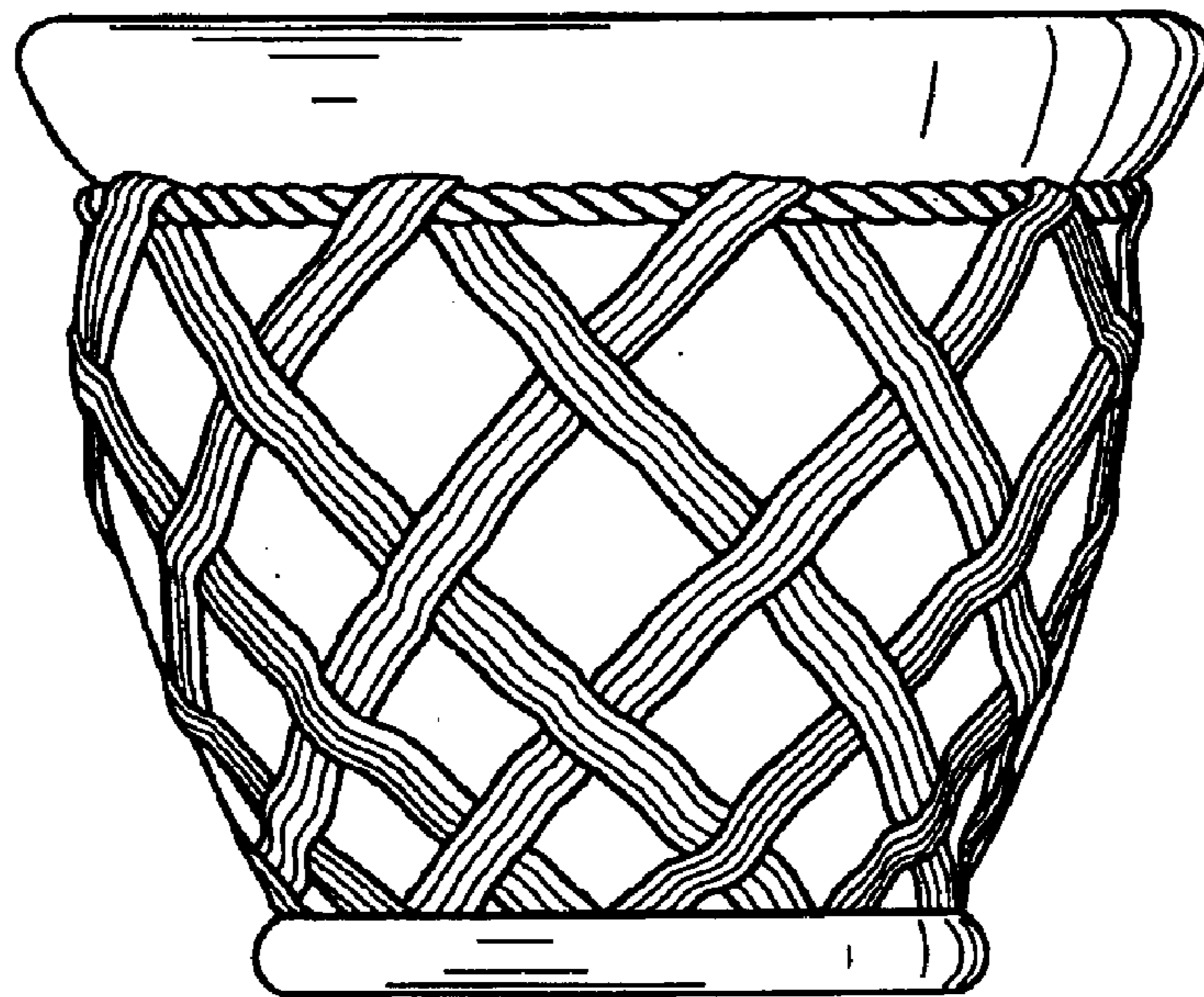
FIG. 1 is a perspective view showing the planter;  
FIG. 2 is a front view thereof, the side and rear views being the same;  
FIG. 3 is a top view thereof; and,  
FIG. 4 is a bottom view thereof.

**1 Claim, 2 Drawing Sheets**

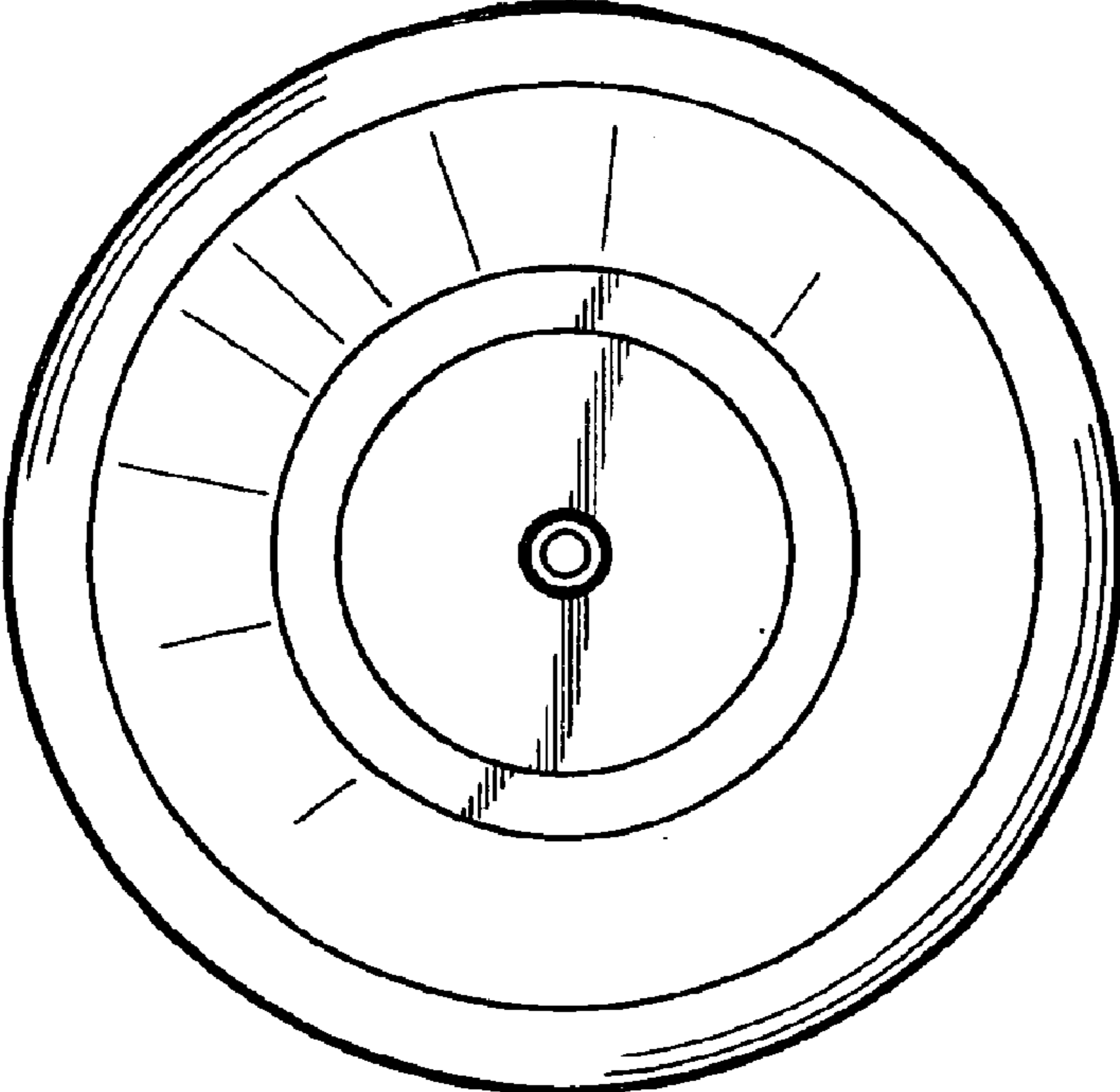




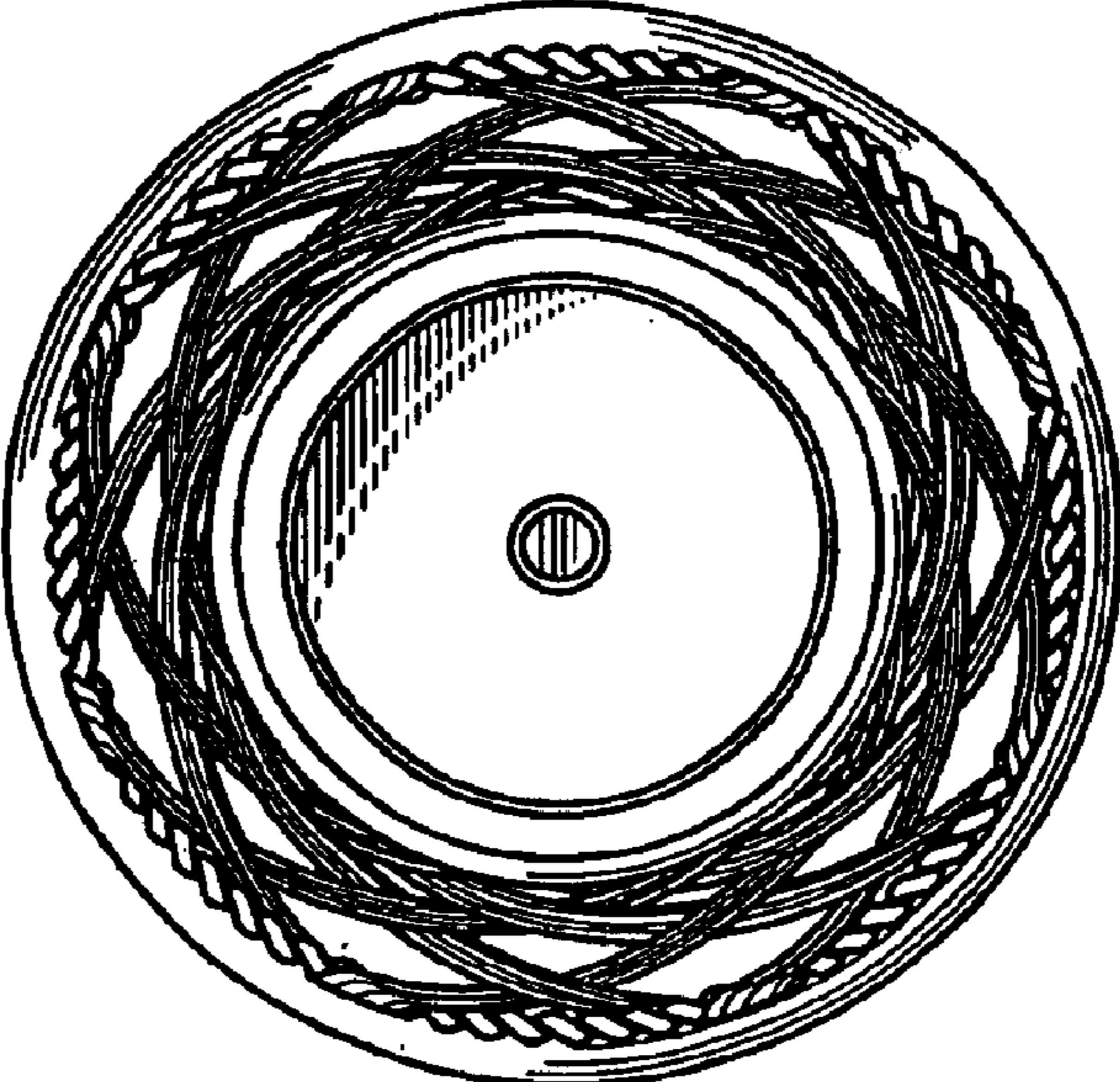
*Fig. 1*



*Fig. 2*



*Fig. 3*



*Fig. 4*