

US00D504085S

(12) **United States Design Patent**
Weiser et al.

(10) **Patent No.:** **US D504,085 S**
(45) **Date of Patent:** **** Apr. 19, 2005**

- (54) **SAILBOAT NOVELTY**
- (75) Inventors: **Isaac Weiser**, Tarzana, CA (US);
Margaret Weiser, Tarzana, CA (US)
- (73) Assignee: **Exhart Environmental Systems, Inc.**,
Chatsworth, CA (US)
- (**) Term: **14 Years**
- (21) Appl. No.: **29/205,242**
- (22) Filed: **May 10, 2004**
- (51) **LOC (7) Cl.** **11-02**
- (52) **U.S. Cl.** **D11/141; D10/59; D11/163;**
D21/458
- (58) **Field of Search** D20/21, 35; D21/455-467,
D21/542-547, 510; D11/117-164; D10/52-54,
59, 60; D26/14, 16, 57, 73, 80, 81, 94-97;
446/3, 34, 36, 88, 93, 153, 159, 160, 176,
199, 201, 217, 218, 233, 234, 236, 237,
238, 240-266; 40/411-415, 429-432, 439-441,
473-479, 480; 73/170.01, 170.05, 170.06;
428/13, 31, 542.2, 542.4, 542.6

- 1,209,459 A * 12/1916 Light 446/176
- 1,337,483 A * 4/1920 Romaniello 446/176
- D62,818 S * 8/1923 Haar D20/30
- 1,531,849 A * 3/1925 Daw 446/217
- 1,659,423 A * 2/1928 Bitetto 446/246
- D77,230 S * 12/1928 Fridolph D21/458
- D108,306 S * 2/1938 Steele D21/458
- 2,135,606 A * 11/1938 Stuve 40/415
- D117,603 S * 11/1939 Thoren D21/458
- 2,532,572 A * 12/1950 Reeves 40/412
- 3,233,456 A * 2/1966 Mills 73/170.05
- D204,771 S * 5/1966 Sarris D21/481
- 4,261,687 A * 4/1981 Gerberick 416/117
- D417,745 S * 12/1999 Oddo D26/95

* cited by examiner

Primary Examiner—Catherine Tuttle
(74) *Attorney, Agent, or Firm*—Cislo & Thomas LLP

(57) **CLAIM**

The ornamental design for a sailboat novelty, as shown and described herein.

DESCRIPTION

FIG. 1 is a top view of our sailboat novelty;
FIG. 2 is a bottom view thereof;
FIG. 3 is an elevational view of the side facing the upper right in FIG. 1;
FIG. 4 is an elevational view of the side opposite to FIG. 3;
FIG. 5 is an elevational view of the side facing the lower right in FIG. 1; and,
FIG. 6 is an elevational view of the opposite side of FIG. 5.

1 Claim, 3 Drawing Sheets

(56) **References Cited**

U.S. PATENT DOCUMENTS

- 463,568 A * 11/1891 Zuberbuhler 446/176
- 621,677 A * 3/1899 Hughes 446/270
- D33,652 S * 12/1900 Duvall D10/54
- 772,768 A * 10/1904 Winchel 40/412
- D40,604 S * 4/1910 Hatfield D26/95

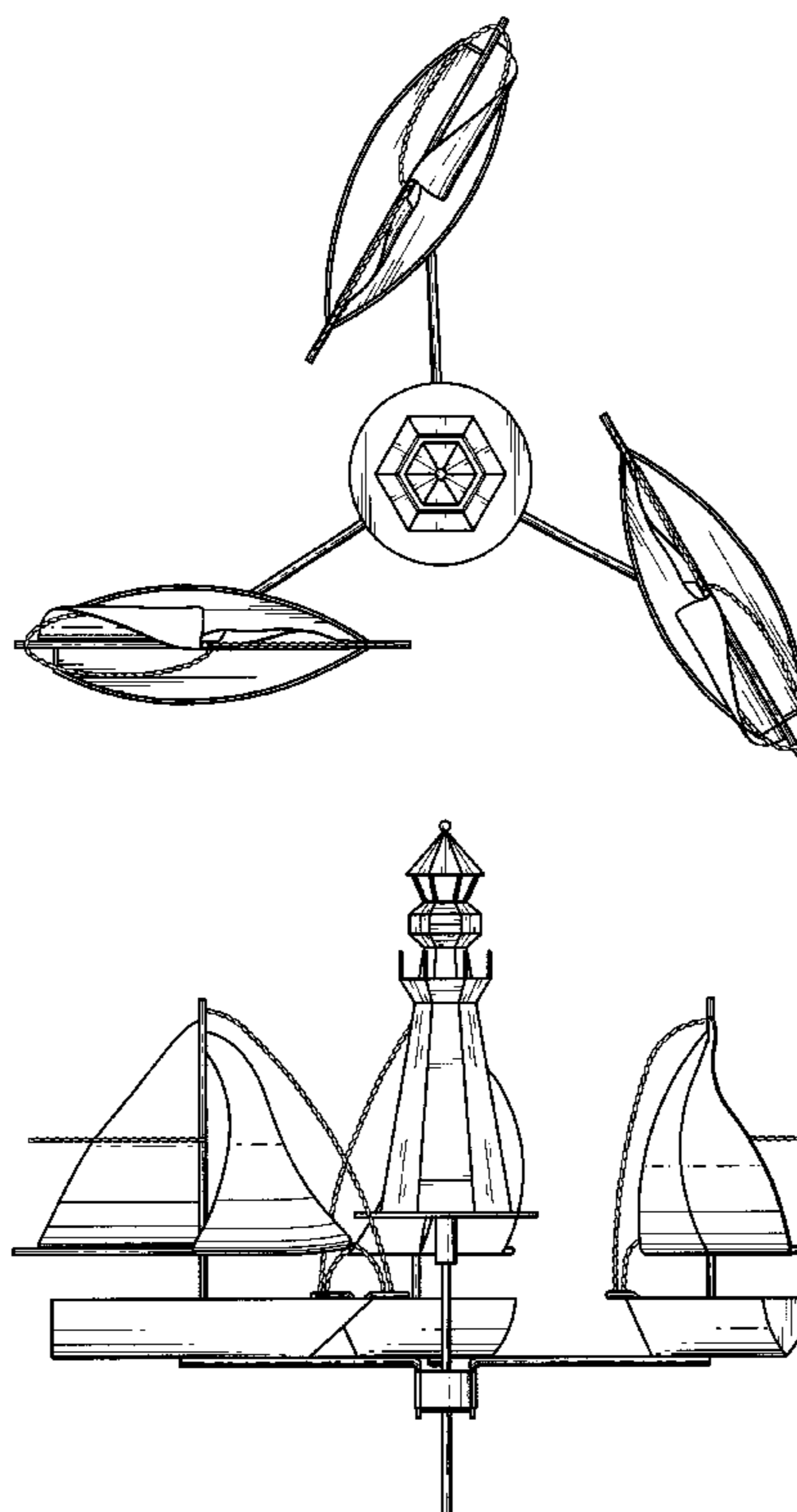


FIG. 1

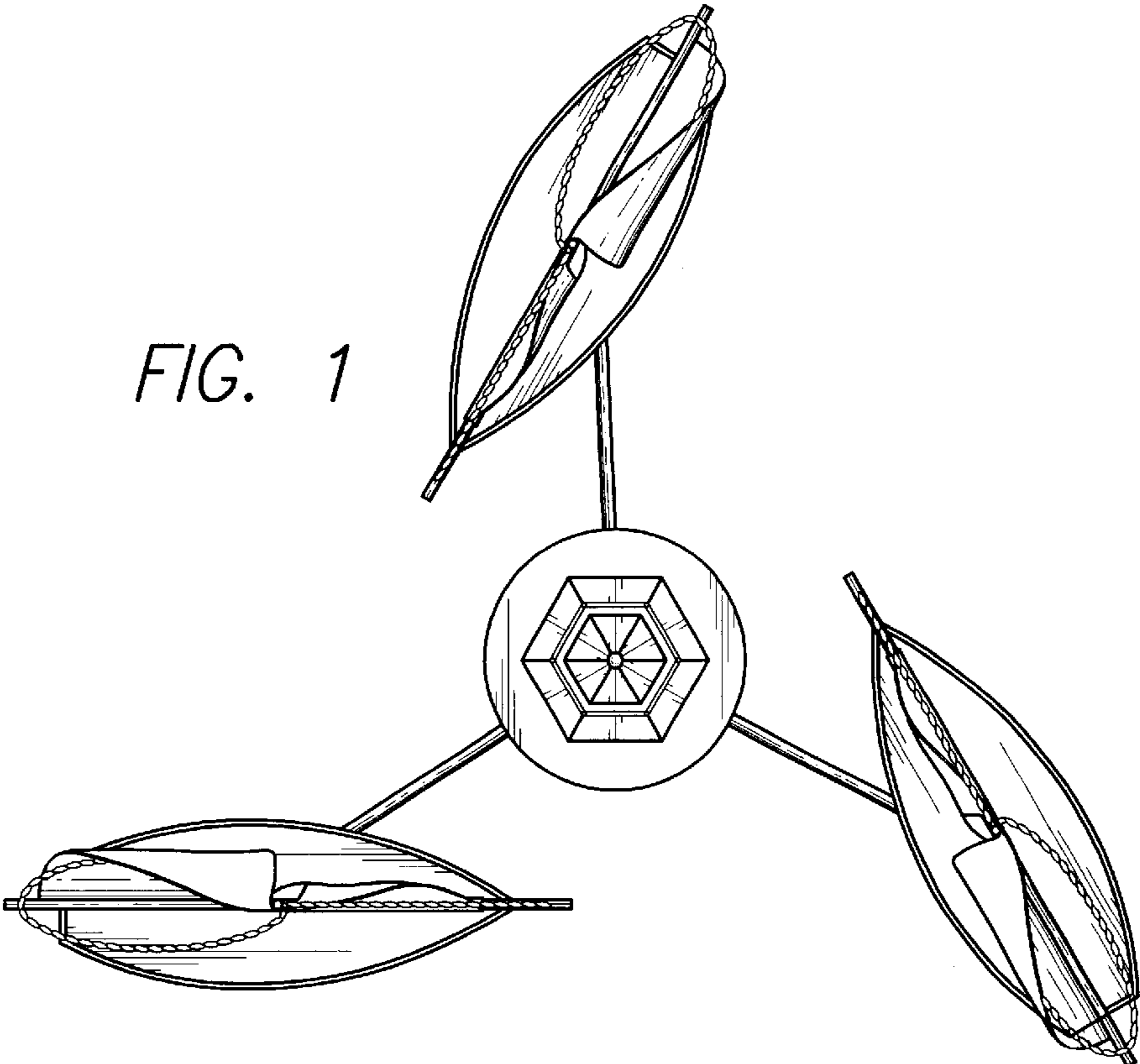
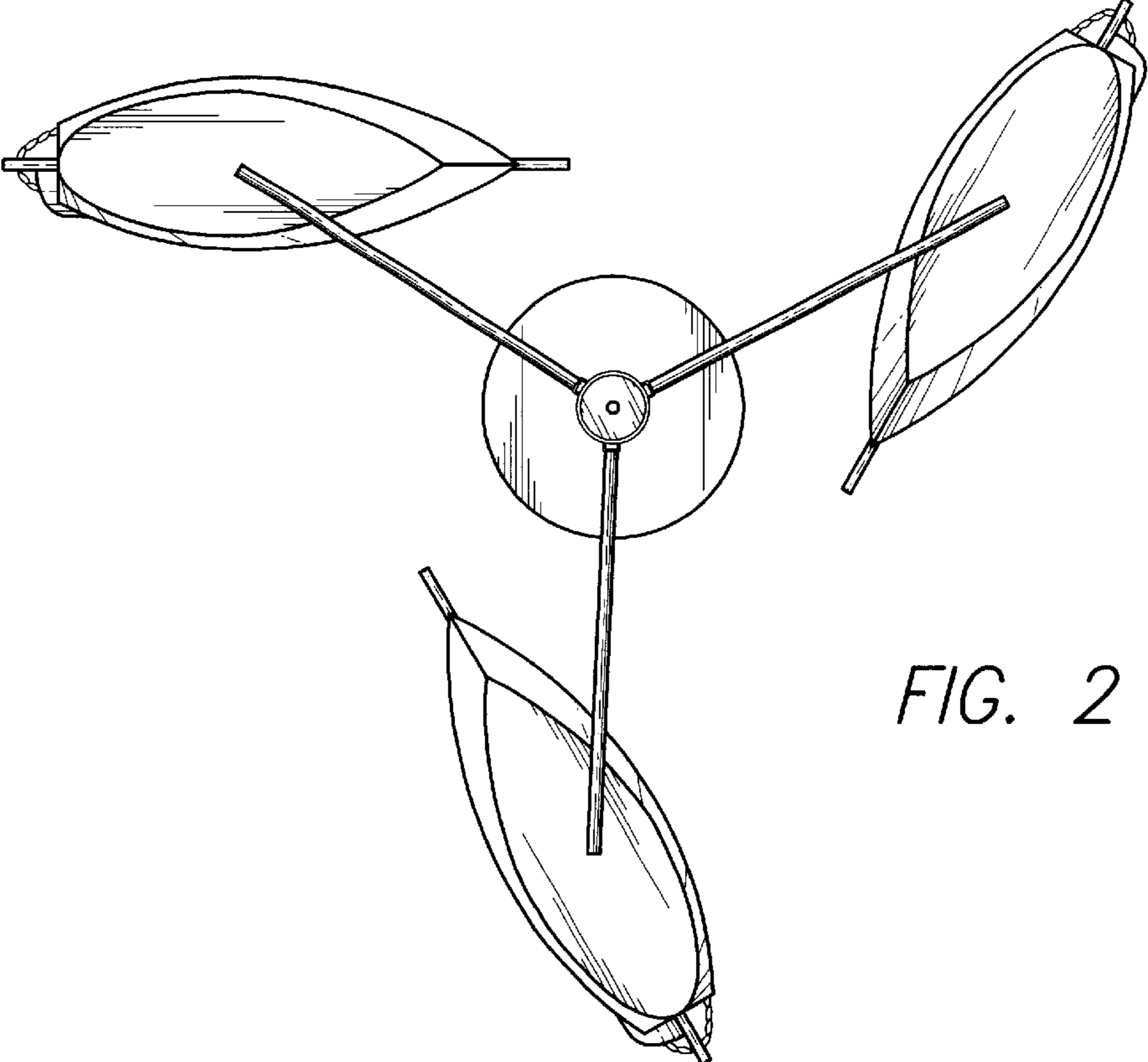


FIG. 2



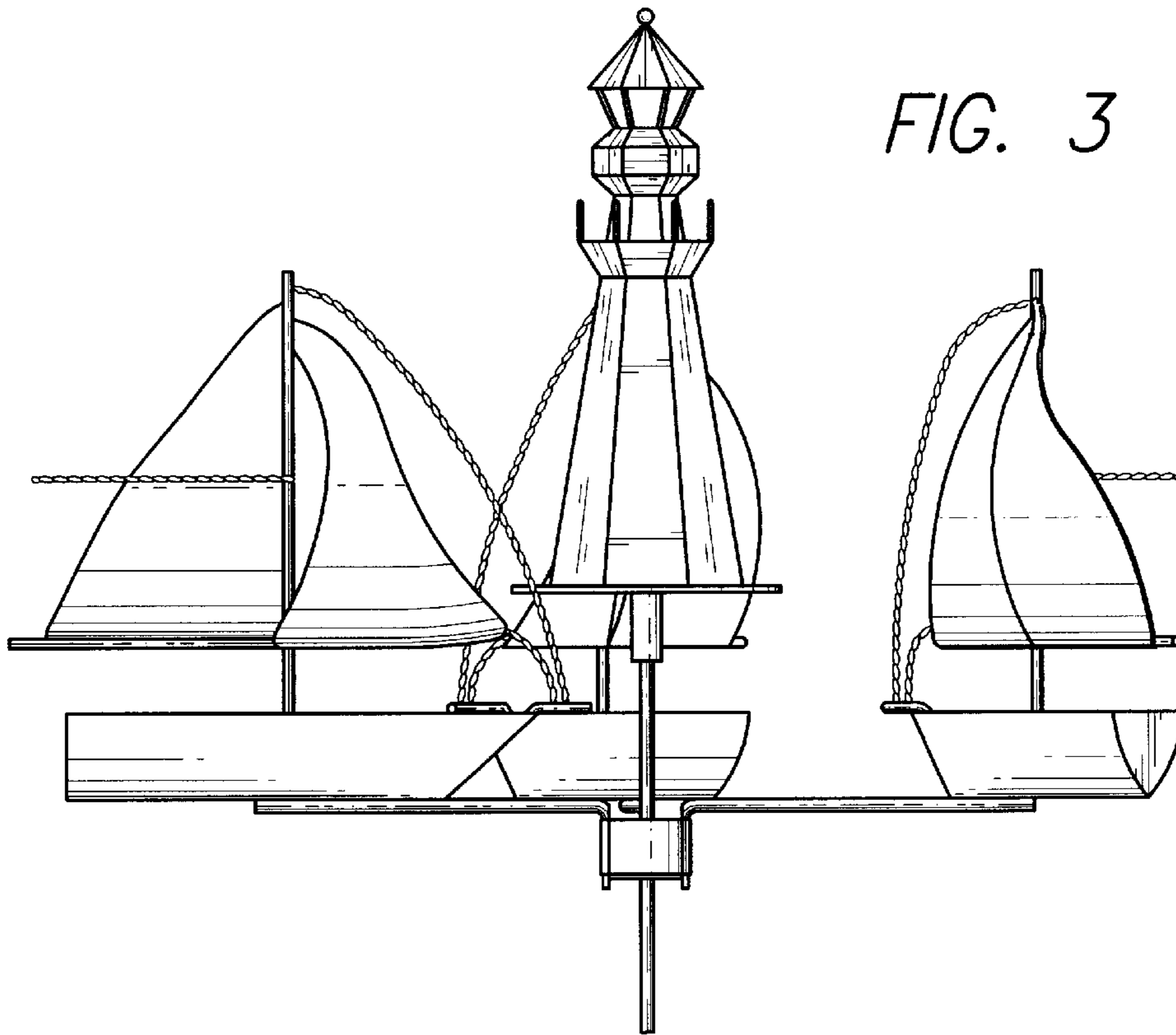


FIG. 4

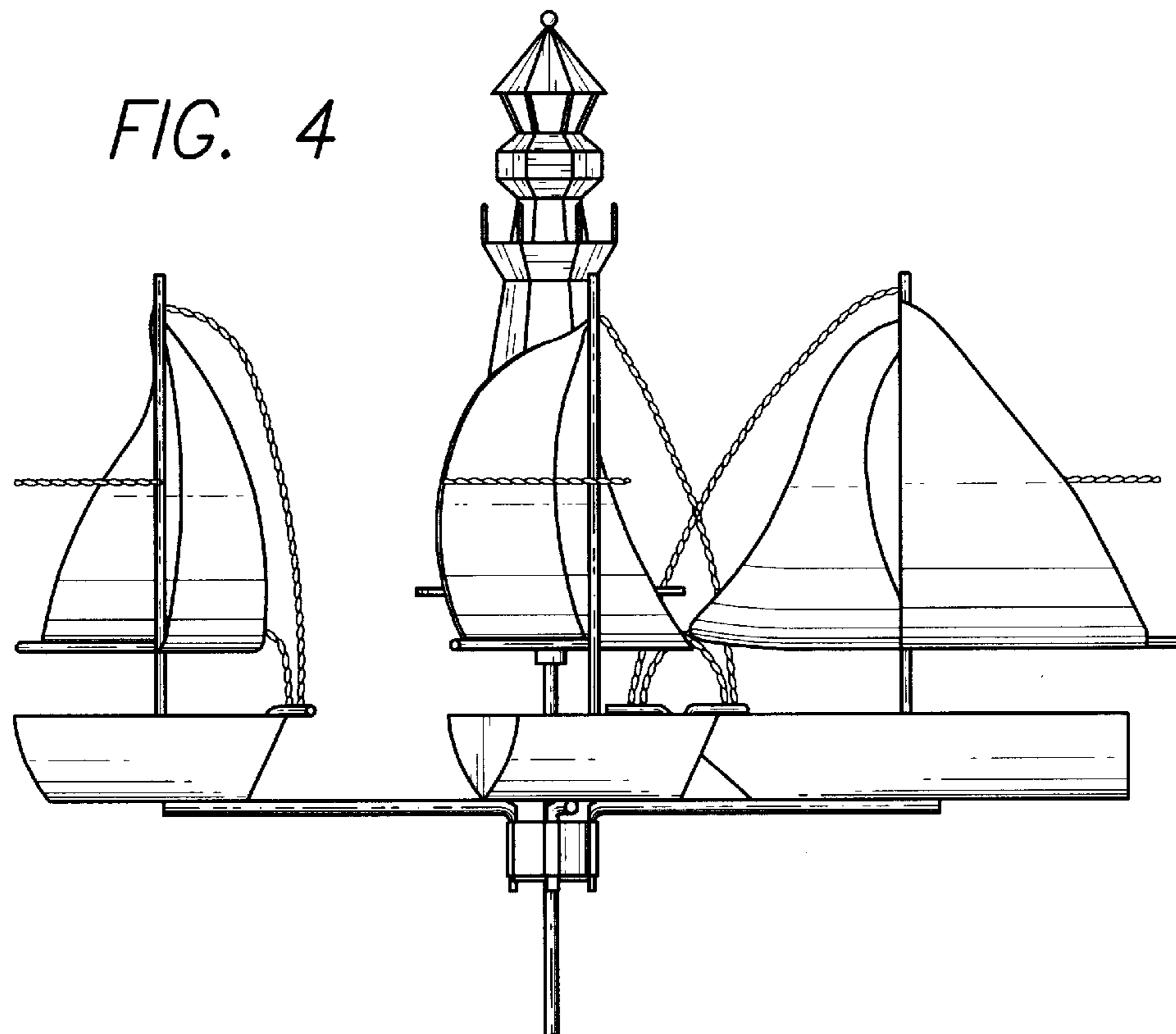


FIG. 5

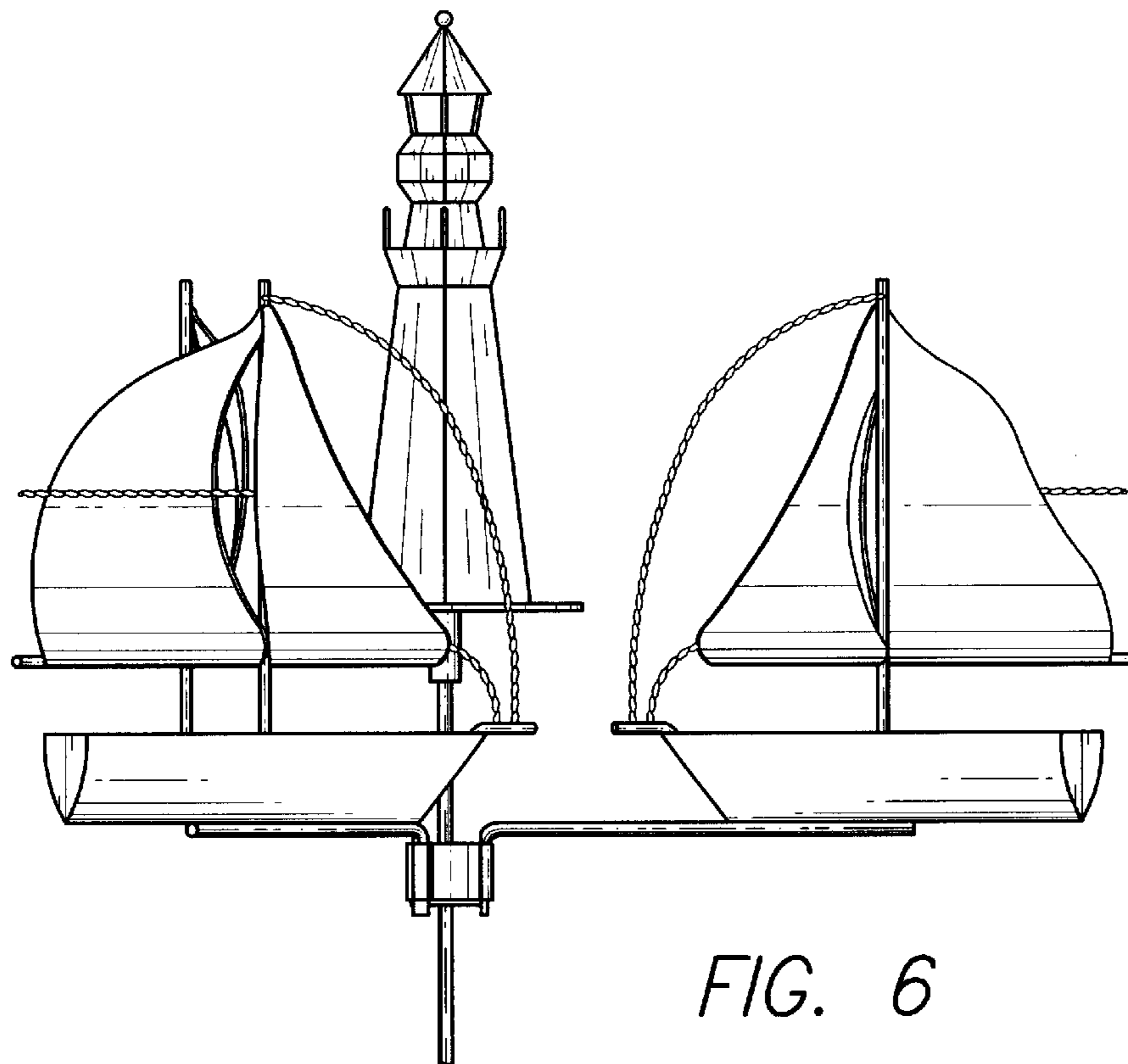
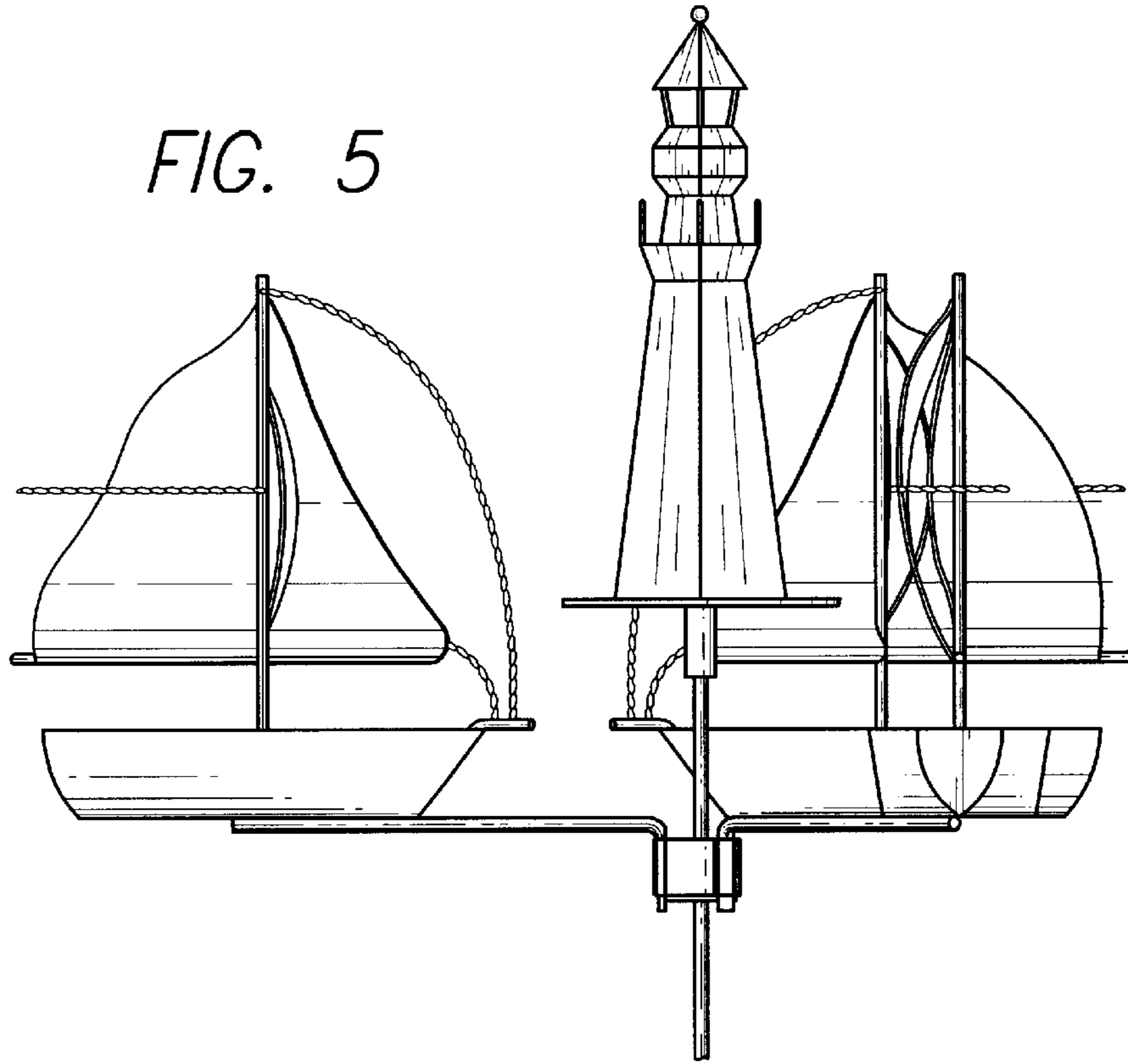


FIG. 6