

US00D504079S

(12) **United States Design Patent**
Wrisley

(10) **Patent No.:** **US D504,079 S**

(45) **Date of Patent:** **** Apr. 19, 2005**

(54) **OSCILLOSCOPE INSTRUMENT**

6,731,104 B1 * 5/2004 Yang 324/110

(75) **Inventor:** **Jerry L. Wrisley, Beaverton, OR (US)**

* cited by examiner

(73) **Assignee:** **Tektronix, Inc., Beaverton, OR (US)**

Primary Examiner—Antoine D. Davis

(**) **Term:** **14 Years**

(74) *Attorney, Agent, or Firm*—William K. Bucher

(21) **Appl. No.:** **29/204,619**

(22) **Filed:** **Apr. 30, 2004**

(51) **LOC (7) Cl.** **10-04**

(52) **U.S. Cl.** **D10/76**

(58) **Field of Search** D10/75, 76, 80;
324/102, 112, 121 R; 340/734, 747, 798,
487

(57) **CLAIM**

The ornamental design of an oscilloscope instrument, as shown and described.

DESCRIPTION

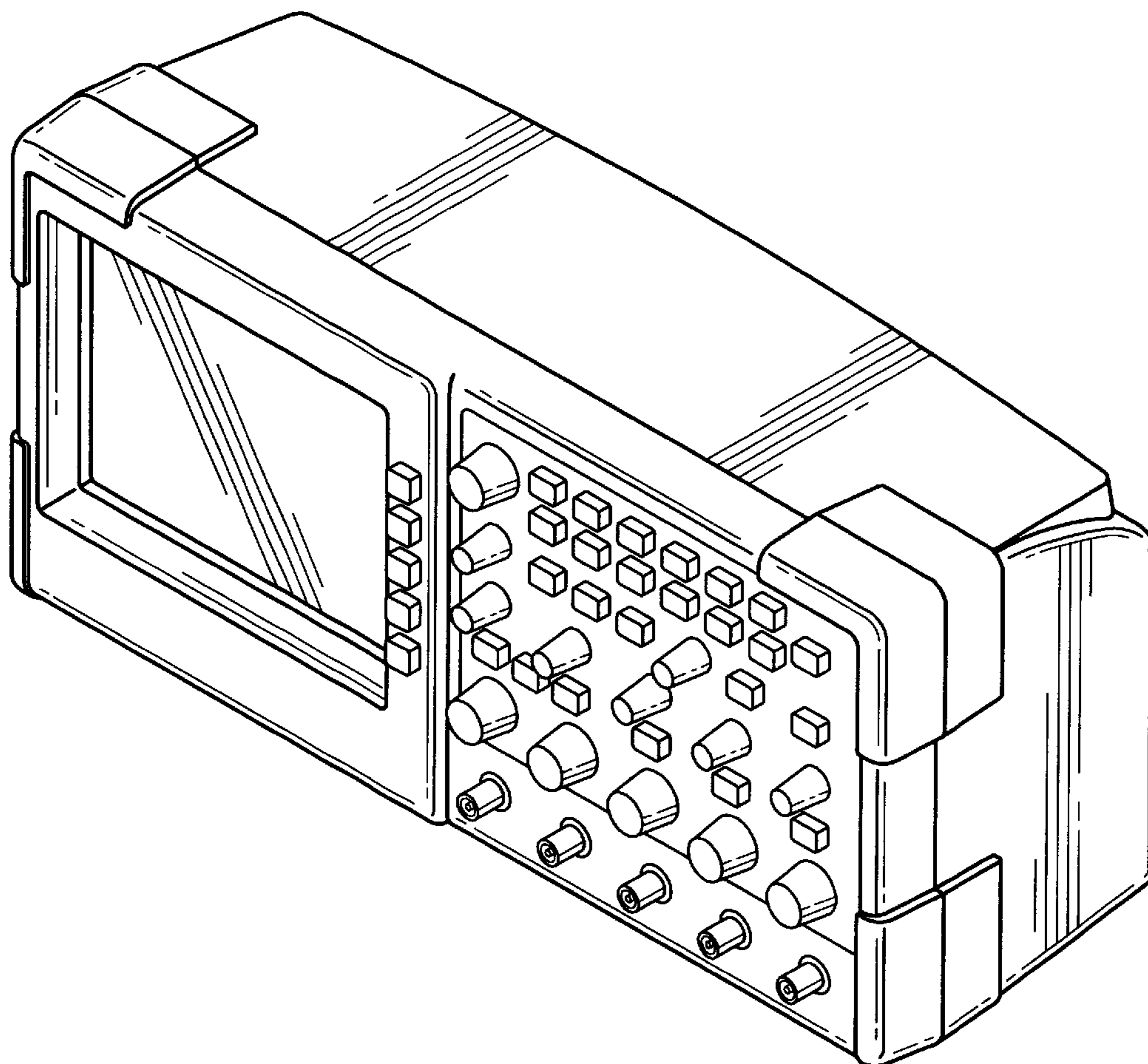
FIG. 1 is a perspective view of an oscilloscope instrument; FIG. 2 is a front elevation view of the oscilloscope instrument; FIG. 3 is a left side elevation view of the oscilloscope instrument; FIG. 4 is a right side elevation view of the oscilloscope instrument; FIG. 5 is a top plan view of the oscilloscope instrument; FIG. 6 is a bottom plan view of the oscilloscope instrument; and, FIG. 7 is a rear elevation view of the oscilloscope instrument.

(56) **References Cited**

U.S. PATENT DOCUMENTS

D413,823 S	*	9/1999	Dobyns et al.	D10/76
D420,607 S		2/2000	Wrisley et al.		
D460,371 S	*	7/2002	Wrisley et al.	D10/78
D460,703 S	*	7/2002	Wrisley et al.	D10/78
6,437,552 B1	*	8/2002	Sekel et al.	324/72.5
D472,171 S	*	3/2003	Wrisley et al.	D10/76

1 Claim, 6 Drawing Sheets



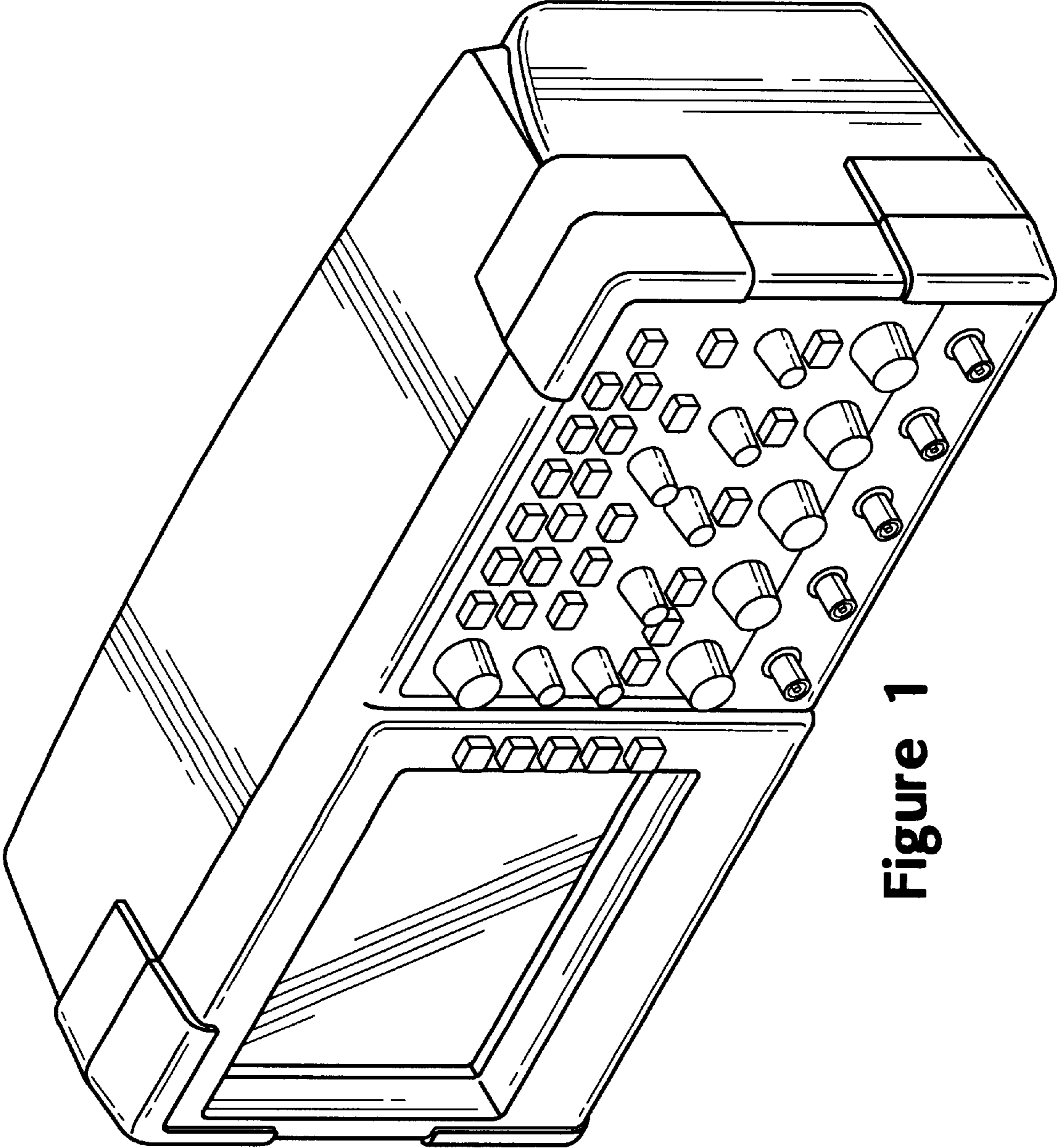


Figure 1

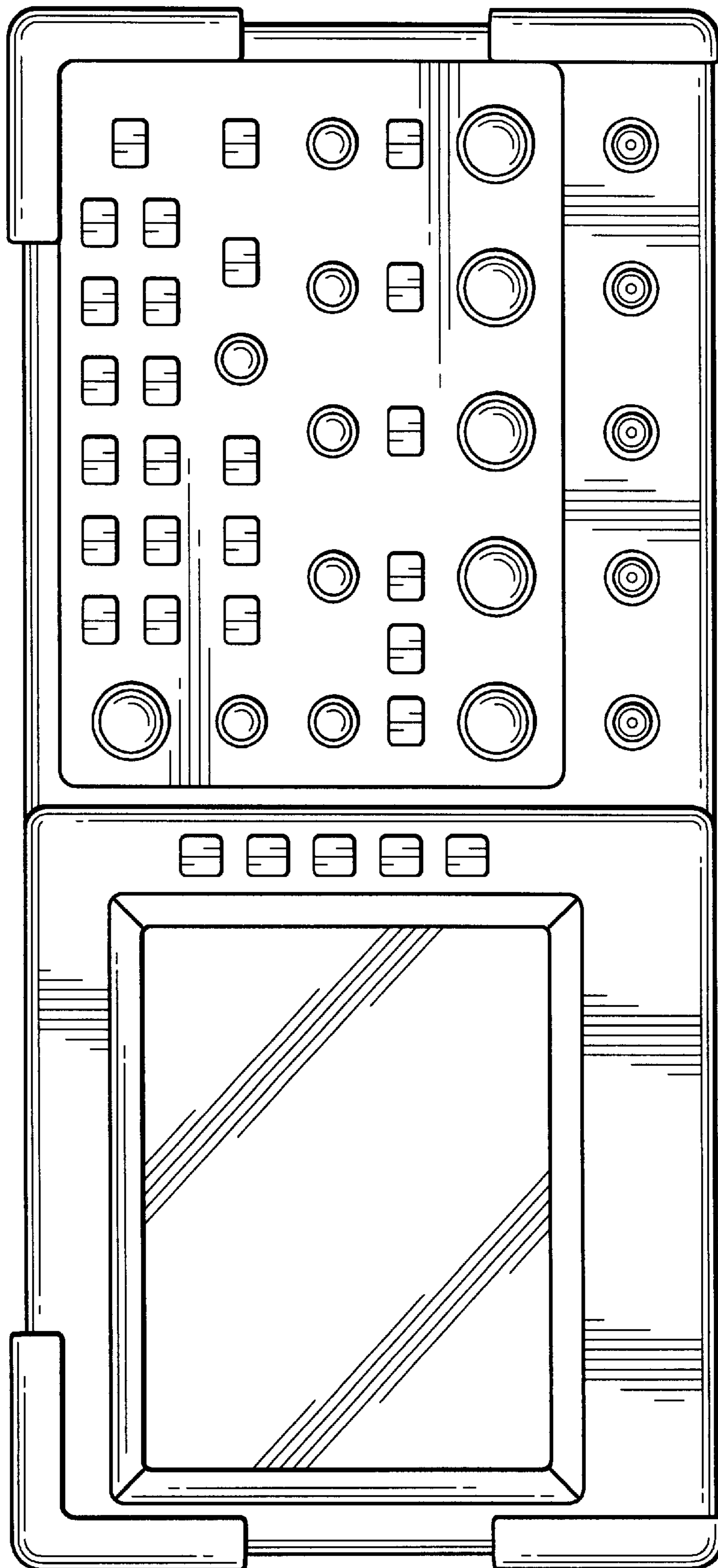


Figure 2

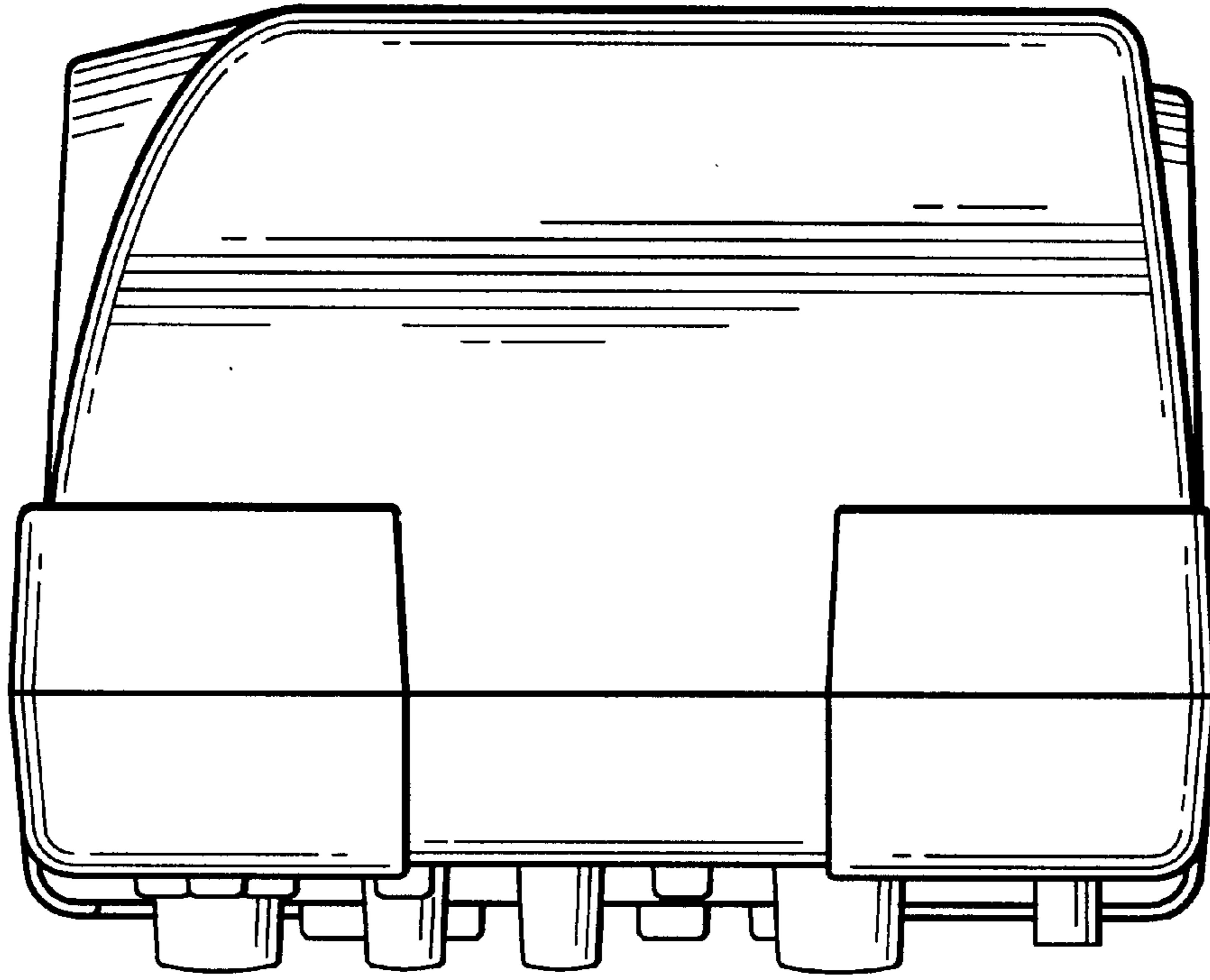


Figure 4

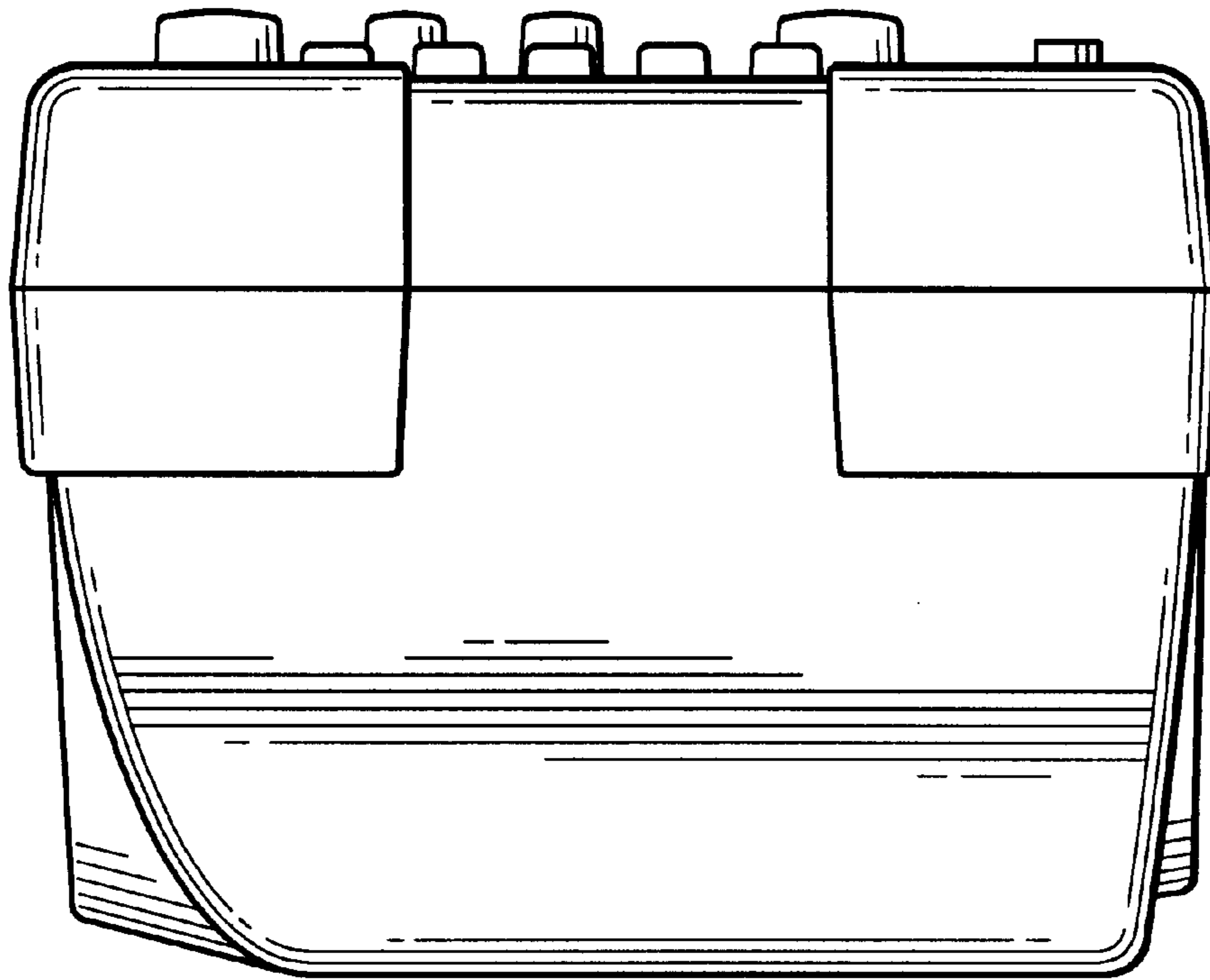


Figure 3

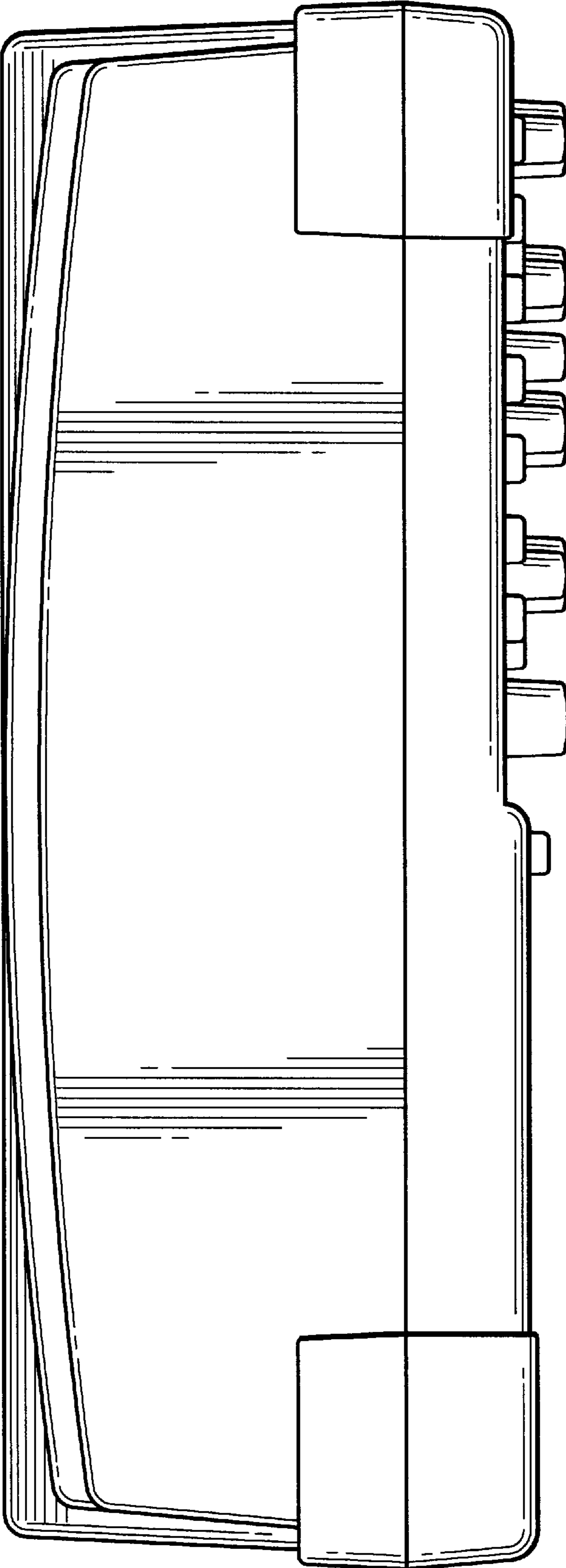


Figure 5

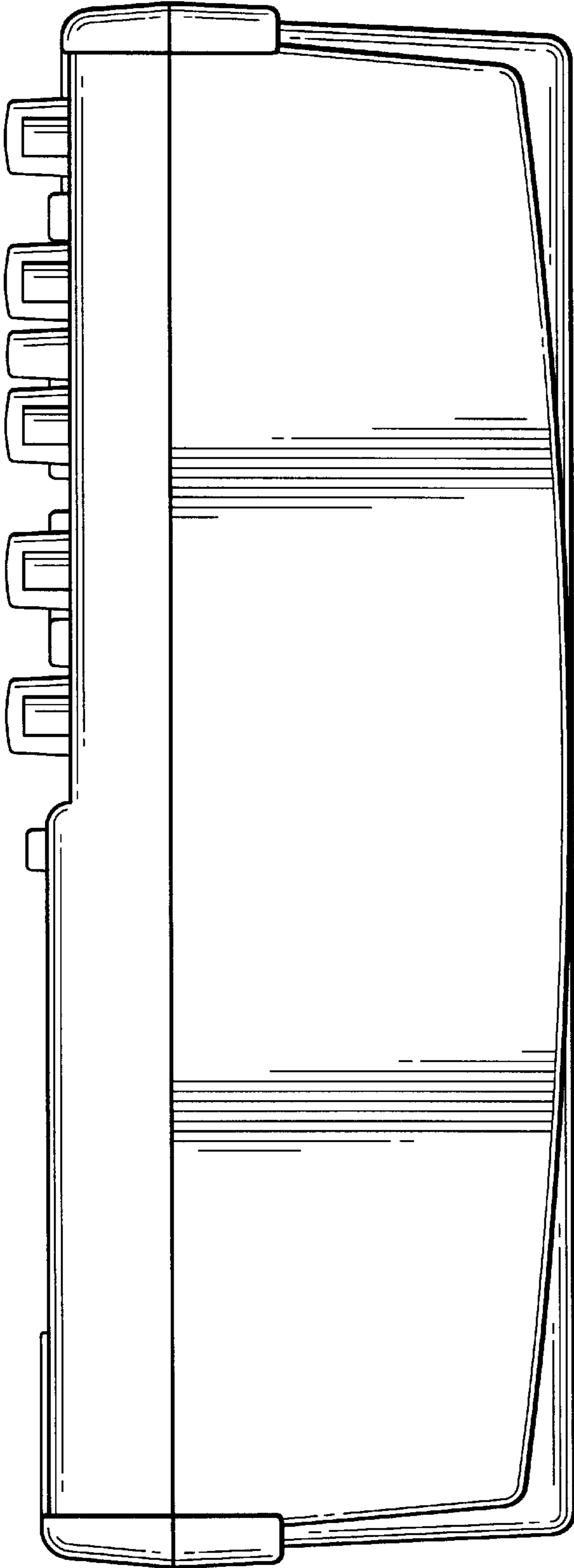


Figure 6

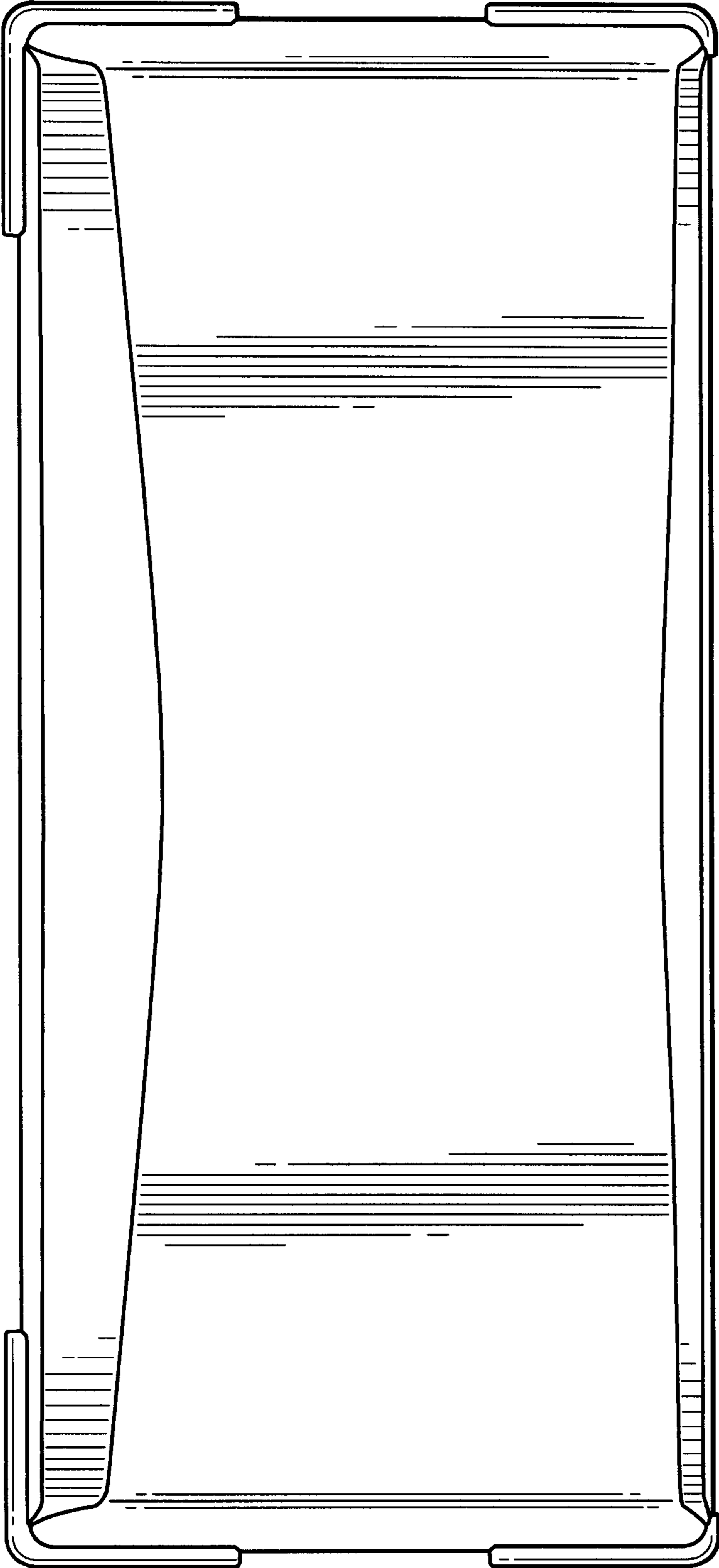


Figure 7