

US00D504071S

(12) **United States Design Patent**  
**Kubo et al.**

(10) **Patent No.:** **US D504,071 S**  
(45) **Date of Patent:** **\*\* Apr. 19, 2005**

(54) **WATCH CASE**

D472,477 S \* 4/2003 Sun ..... D10/30  
D480,976 S \* 10/2003 Yan ..... D10/30  
D486,402 S \* 2/2004 Shoubayashi ..... D10/30

(75) Inventors: **Tatsuya Kubo**, Iruma (JP); **Masao Wada**, Machida (JP)

\* cited by examiner

(73) Assignee: **Casio Keisanki Kabushiki Kaisha**, Tokyo (JP)

*Primary Examiner*—Nelson C. Holtje  
(74) *Attorney, Agent, or Firm*—Frishauf, Holtz, Goodman & Chick, P.C.

(\*\*) Term: **14 Years**

(57) **CLAIM**

(21) Appl. No.: **29/205,815**

The ornamental design for a watch case, as shown and described.

(22) Filed: **May 19, 2004**

(51) **LOC (7) Cl.** ..... **10-02**

(52) **U.S. Cl.** ..... **D10/30**

(58) **Field of Search** ..... D10/1-40, 122-132;  
368/41-44, 82-84, 28-30, 239-242, 276-277,  
280-282, 285

**DESCRIPTION**

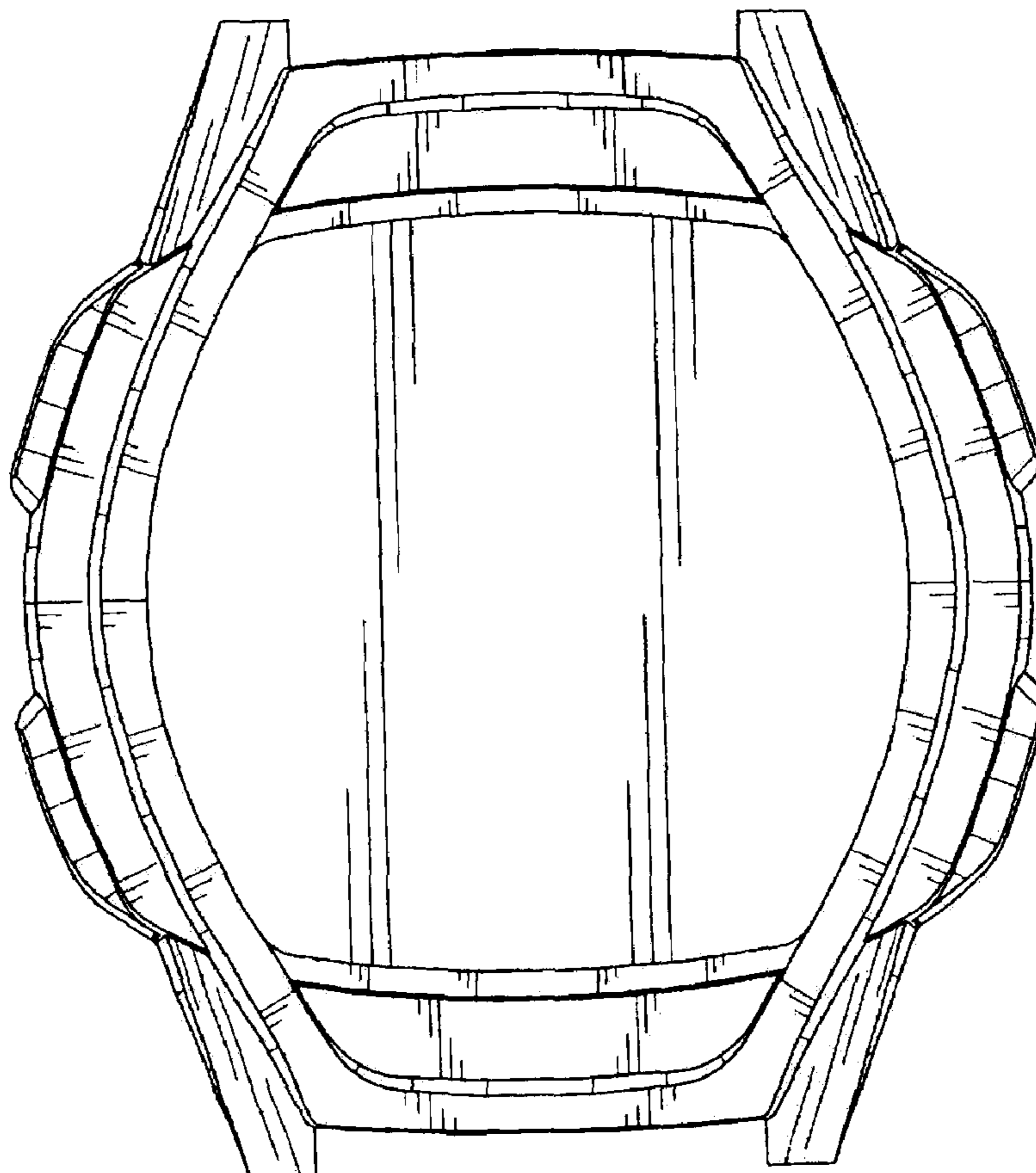
FIG. 1 is a reduced scale front, right side, bottom perspective view of a watch case showing our new design; FIG. 2 is a front elevational view thereof; FIG. 3 is a rear elevational view thereof; FIG. 4 is a left side view thereof; FIG. 5 is a right side view thereof; FIG. 6 is a top plan view thereof; and, FIG. 7 is a bottom plan view thereof.

(56) **References Cited**

**U.S. PATENT DOCUMENTS**

D407,329 S \* 3/1999 Kawashima et al. .... D10/30  
D426,779 S \* 6/2000 Hatsuki ..... D10/30  
6,435,709 B1 \* 8/2002 Hirano et al. .... 368/281

**1 Claim, 5 Drawing Sheets**



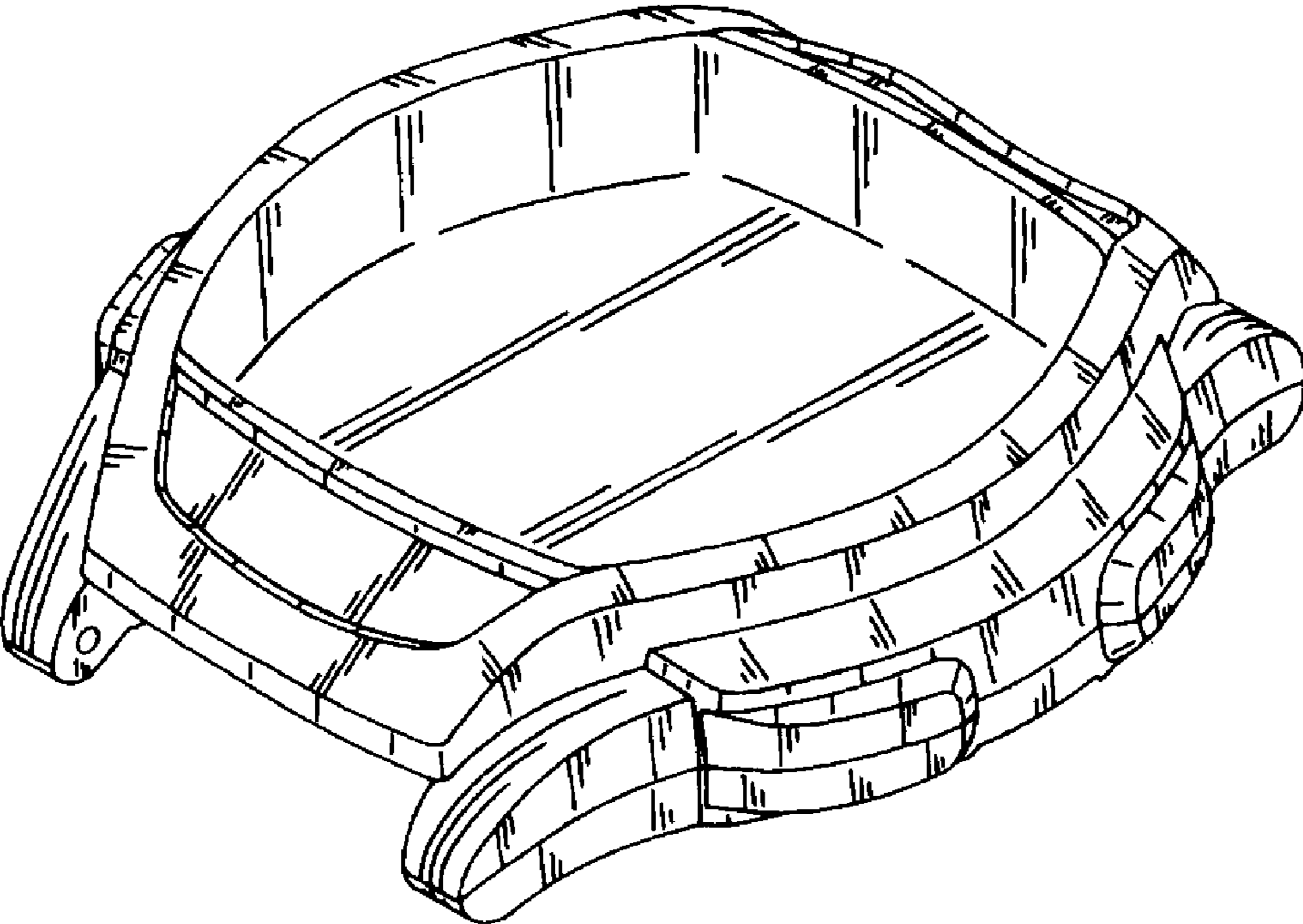


FIG. 1

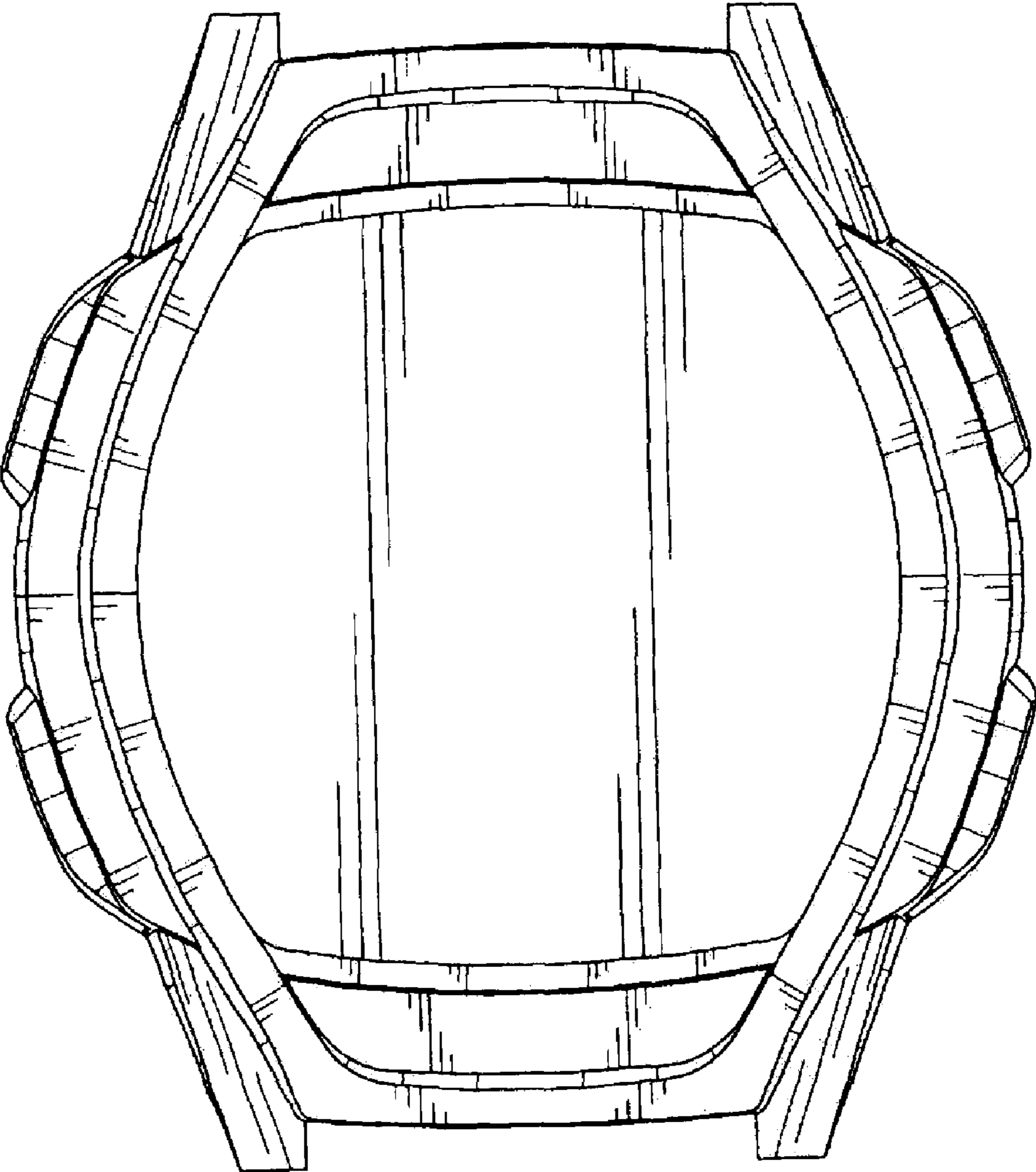
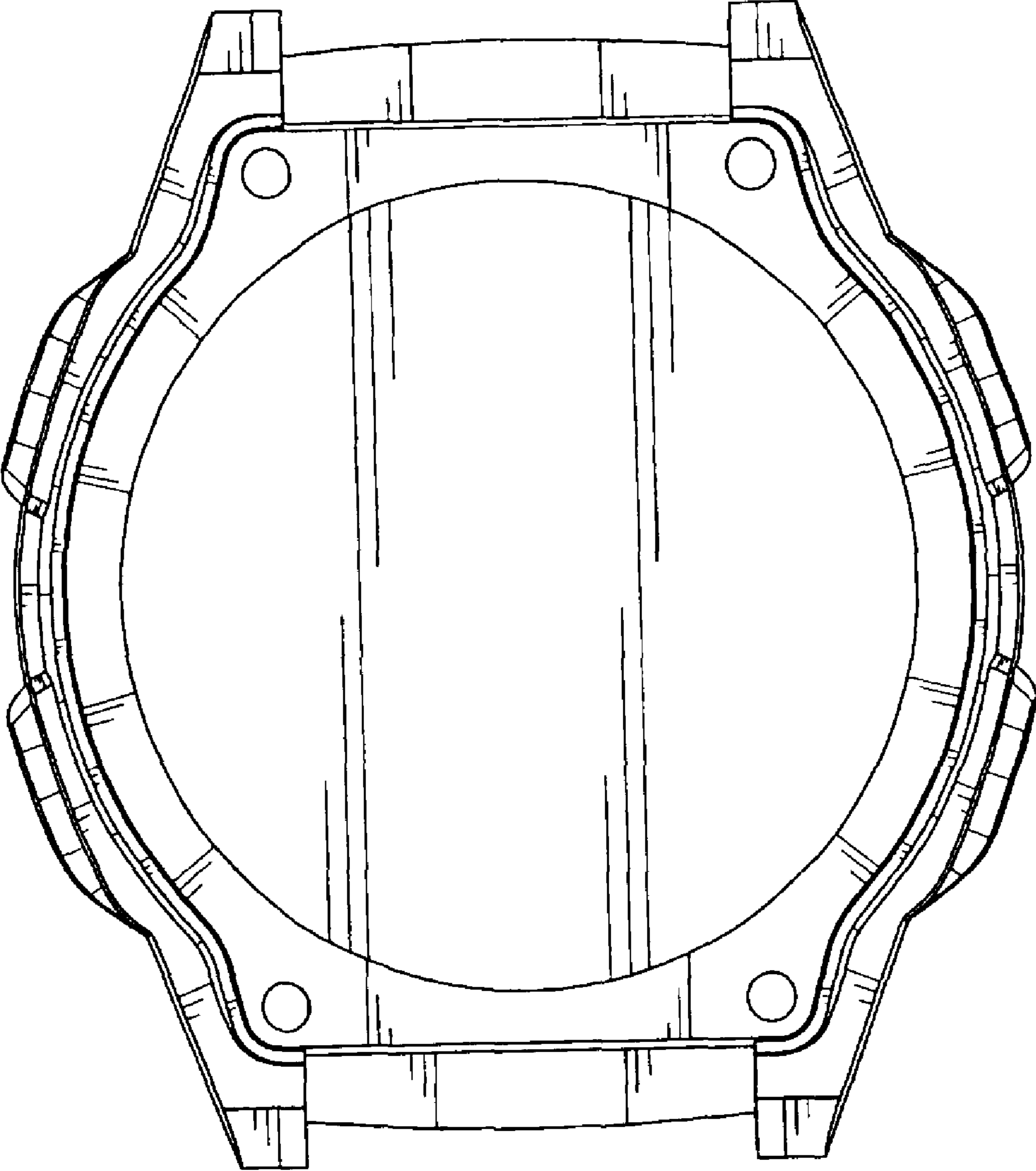
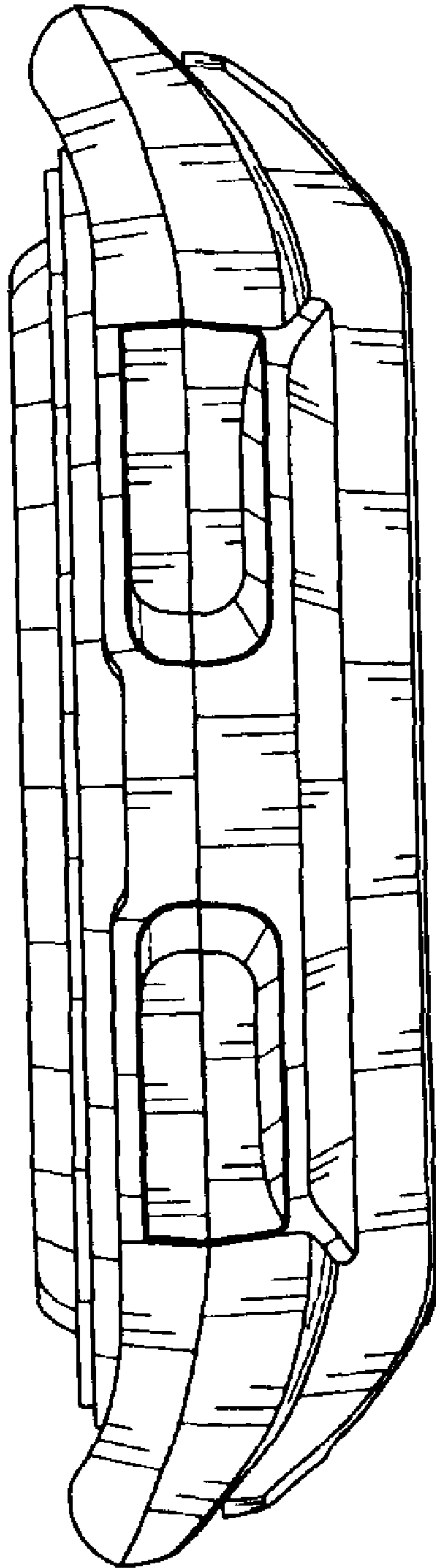


FIG. 2



**FIG. 3**



**FIG. 4**

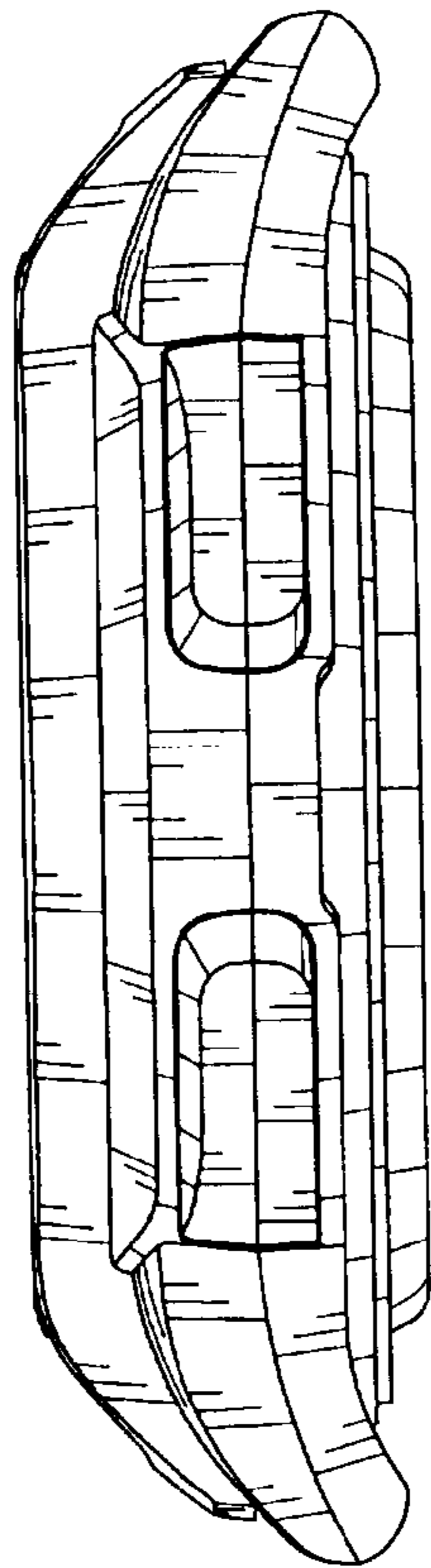


FIG. 5

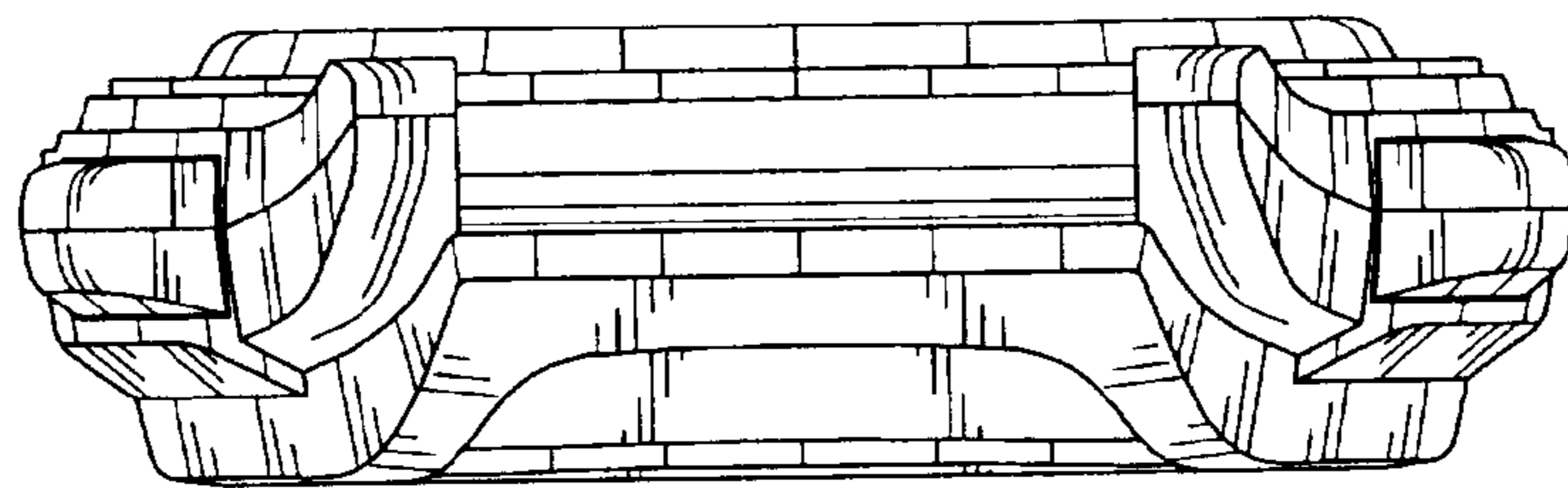


FIG. 6

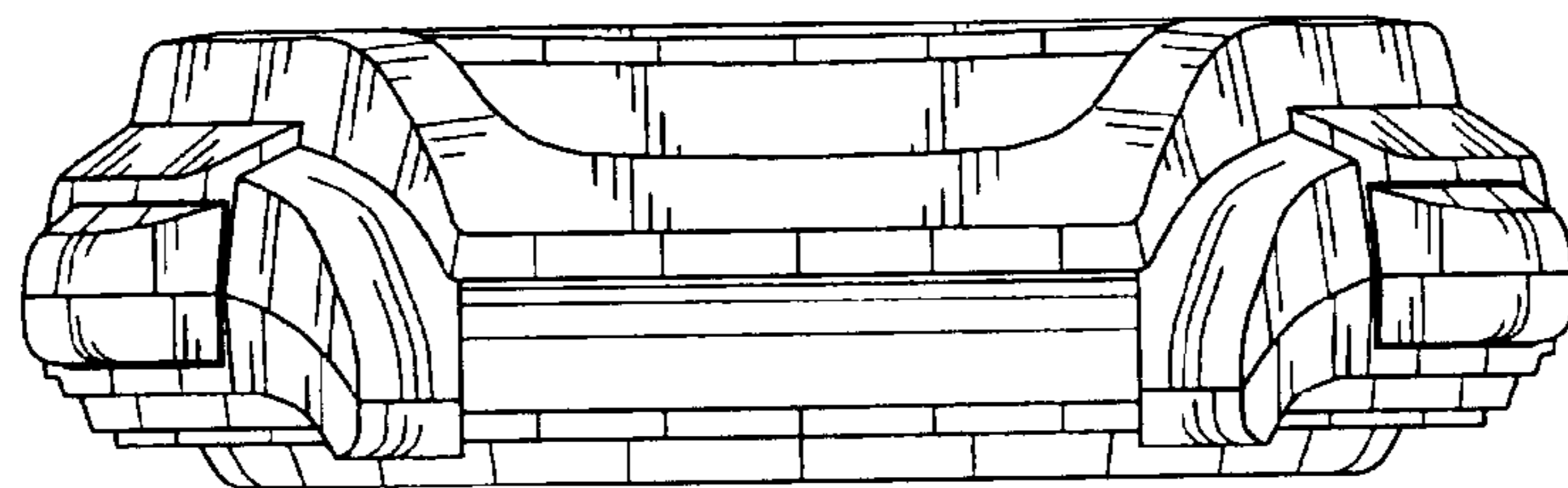


FIG. 7