

US00D504066S

(12) **United States Design Patent**  
**King**

(10) **Patent No.:** **US D504,066 S**

(45) **Date of Patent:** **\*\* Apr. 19, 2005**

(54) **BEVERAGE CAP ASSEMBLY**  
(75) **Inventor:** **Roger Milner King**, Buckinghamshire  
(GB)

D223,812 S \* 6/1972 Long ..... D9/453  
D304,424 S \* 11/1989 Dawson ..... D9/453  
D392,187 S \* 3/1998 King ..... D9/453  
D490,315 S \* 5/2004 Kiser ..... D9/445

(73) **Assignee:** **Beeson and Sons Limited**,  
Rickmansworth (GB)

\* cited by examiner

(\*\*) **Term:** **14 Years**

*Primary Examiner*—Louis S. Zarfes

*Assistant Examiner*—Gregory Andoll

(21) **Appl. No.:** **29/202,870**

(74) *Attorney, Agent, or Firm*—Stephen B. Salai, Esq.;  
Brian B. Shaw, Esq.; Harter, Secrest & Emery LLP

(22) **Filed:** **Apr. 6, 2004**

(57) **CLAIM**

(30) **Foreign Application Priority Data**

I claim the ornamental design for the beverage cap assembly,  
as shown and described.

Oct. 6, 2003 (GB) ..... 3014682

**DESCRIPTION**

(51) **LOC (7) Cl.** ..... **09-07**

FIG. 1 is a front elevation of a beverage cap assembly  
showing my new design;

(52) **U.S. Cl.** ..... **D9/453; D9/445; D9/435;**  
D9/438; D9/447; D9/444

FIG. 2 is a top plan view of a beverage cap assembly shown  
in FIG. 1;

(58) **Field of Search** ..... D9/435-454; 215/252,  
215/295, 328; 220/716; 206/219, 222

FIG. 3 is an exploded side elevation of an over-cap that can  
be snap-fitted over the integral spout; and,

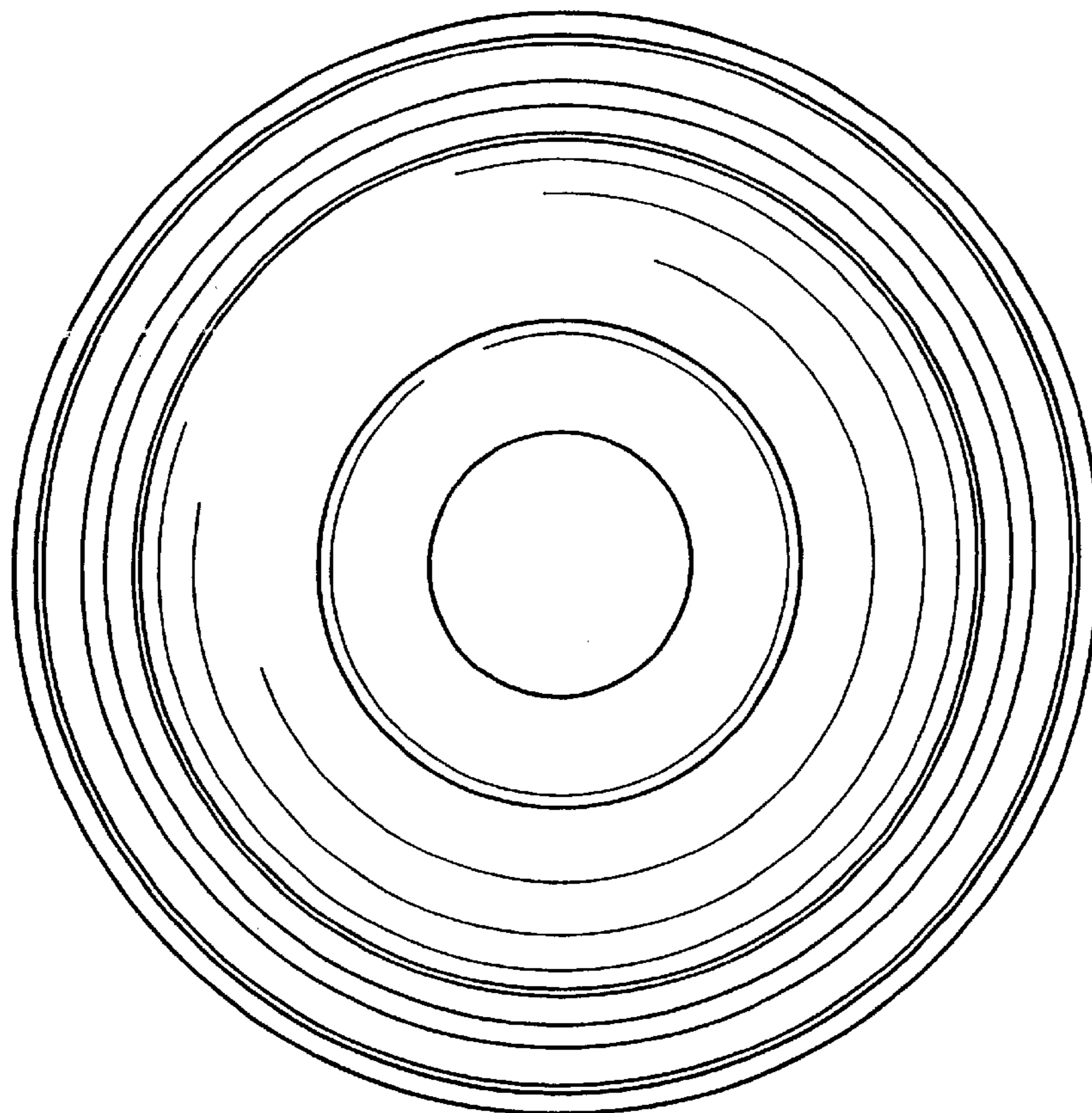
(56) **References Cited**

FIG. 4 is a top plan view of an integral spout of the design  
of FIG. 1 taken along line 3—3 of FIG. 3.

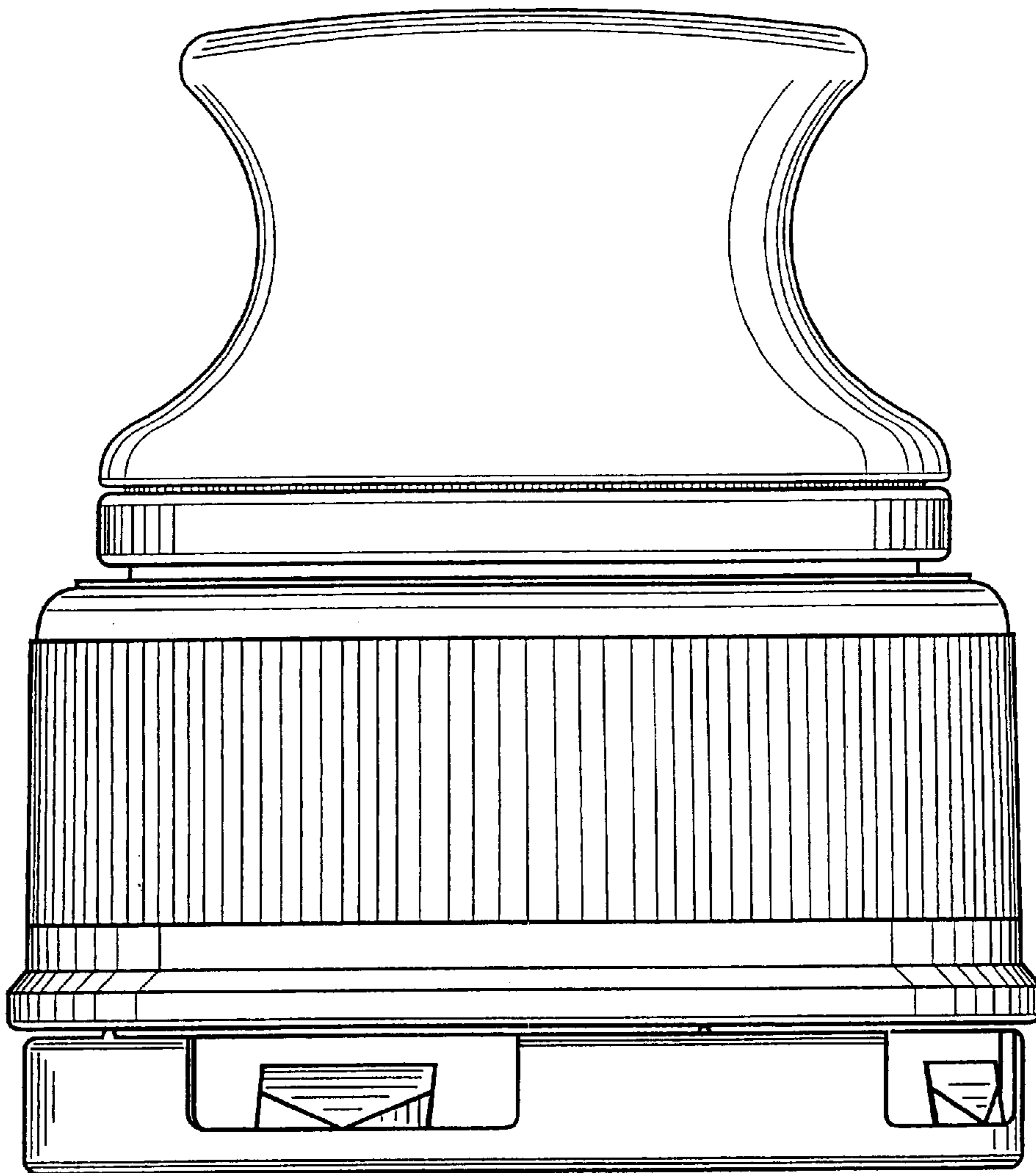
**U.S. PATENT DOCUMENTS**

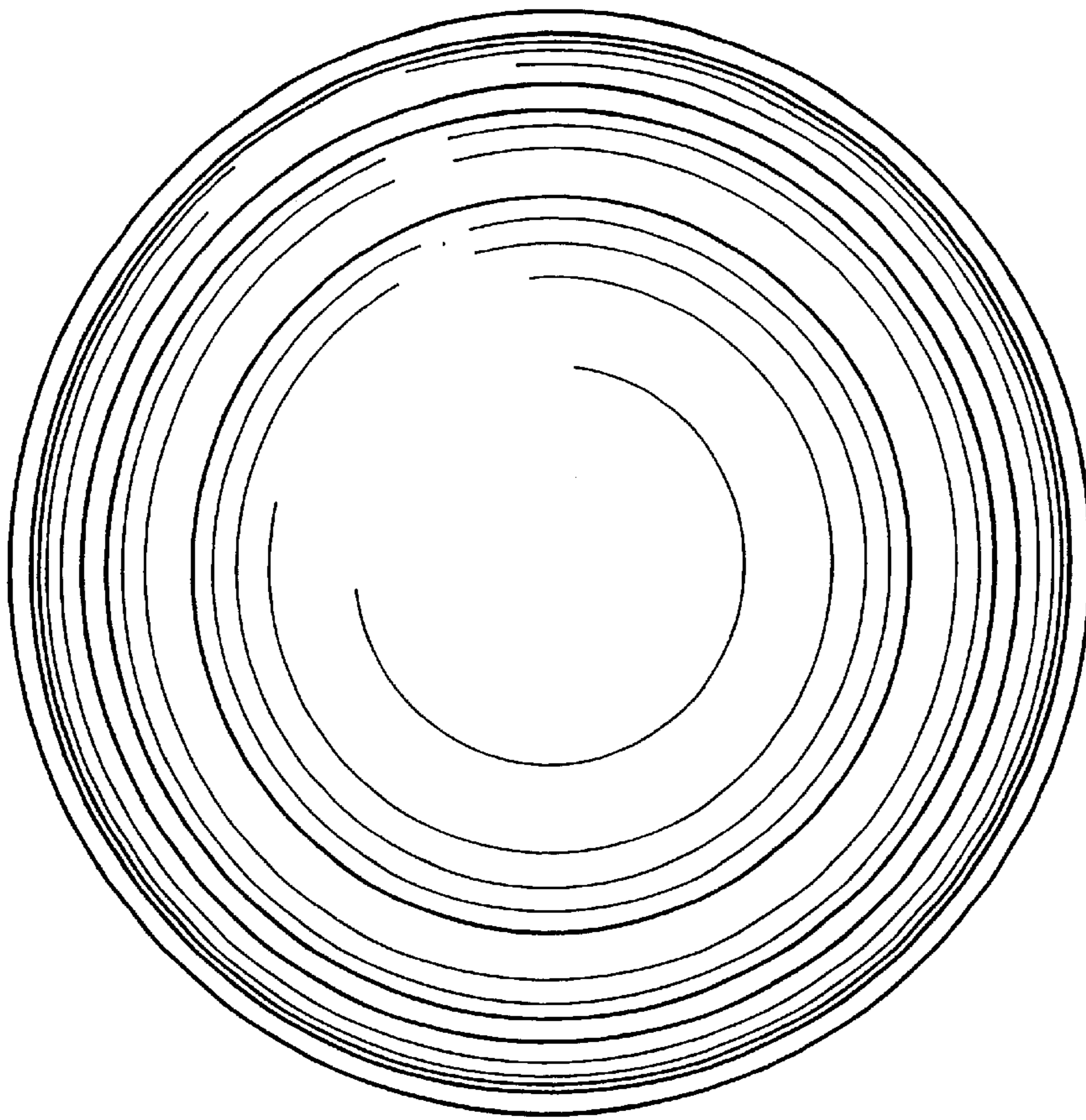
D200,023 S \* 1/1965 Porter ..... D9/449

**1 Claim, 4 Drawing Sheets**

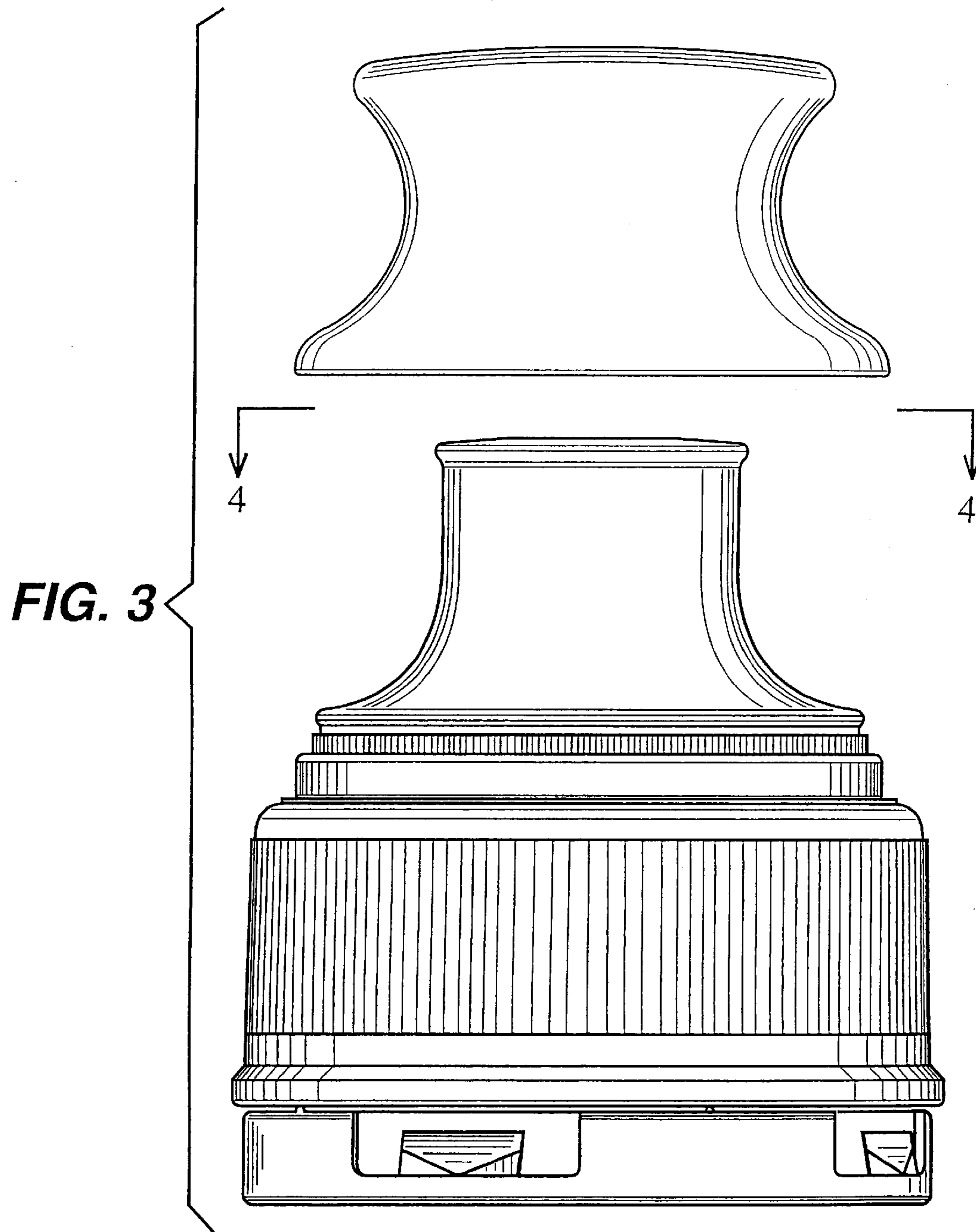


**FIG. 1**





**FIG. 2**



**FIG. 4**

