

US00D504065S

(12) **United States Design Patent**
Belser et al.

(10) **Patent No.: US D504,065 S**
(45) **Date of Patent: ** Apr. 19, 2005**

(54) **DISPOSABLE CLEANING HEAD CONTAINER**

(75) Inventors: **Deborah A. Belser**, Pleasanton, CA (US); **Thomas Cantwell**, Kalamazoo, MI (US); **John Hoffman**, Kalamazoo, MI (US); **Christopher Pressley**, Kalamazoo, MI (US)

(73) Assignee: **The Clorox Company**, Oakland, CA (US)

(**) Term: **14 Years**

(21) Appl. No.: **29/190,136**

(22) Filed: **Sep. 12, 2003**

(51) **LOC (7) Cl. 09-07**

(52) **U.S. Cl. D9/425; D9/423; D9/426**

(58) **Field of Search D9/420-426, 414, D9/432, 415, 418; D7/629, 602; D3/273, 294; 206/216, 541, 508, 518, 576, 307, 361, 362; 229/406, 407, 87.08, 938, 902-904; 220/674, 675, 566, 780**

(56) **References Cited**

U.S. PATENT DOCUMENTS

D331,361 S * 12/1992 Langolf D9/415

D339,744 S * 9/1993 Seppala D9/425
5,456,379 A * 10/1995 Krupa et al. 220/835
D363,879 S * 11/1995 Krupa et al. D9/423
D407,015 S * 3/1999 Jones D9/426
5,984,090 A * 11/1999 Banfield 206/223
D437,685 S * 2/2001 Liu D3/294
D439,159 S * 3/2001 Chen D9/425
6,206,187 B1 * 3/2001 Van Winkle 206/320
6,561,349 B1 * 5/2003 Lee 206/320
6,635,332 B1 * 10/2003 McArthur 428/132
6,641,321 B1 * 11/2003 Horng 401/272
D496,586 S * 9/2004 Belser et al. D9/425

* cited by examiner

Primary Examiner—Prabhakar Deshmukh

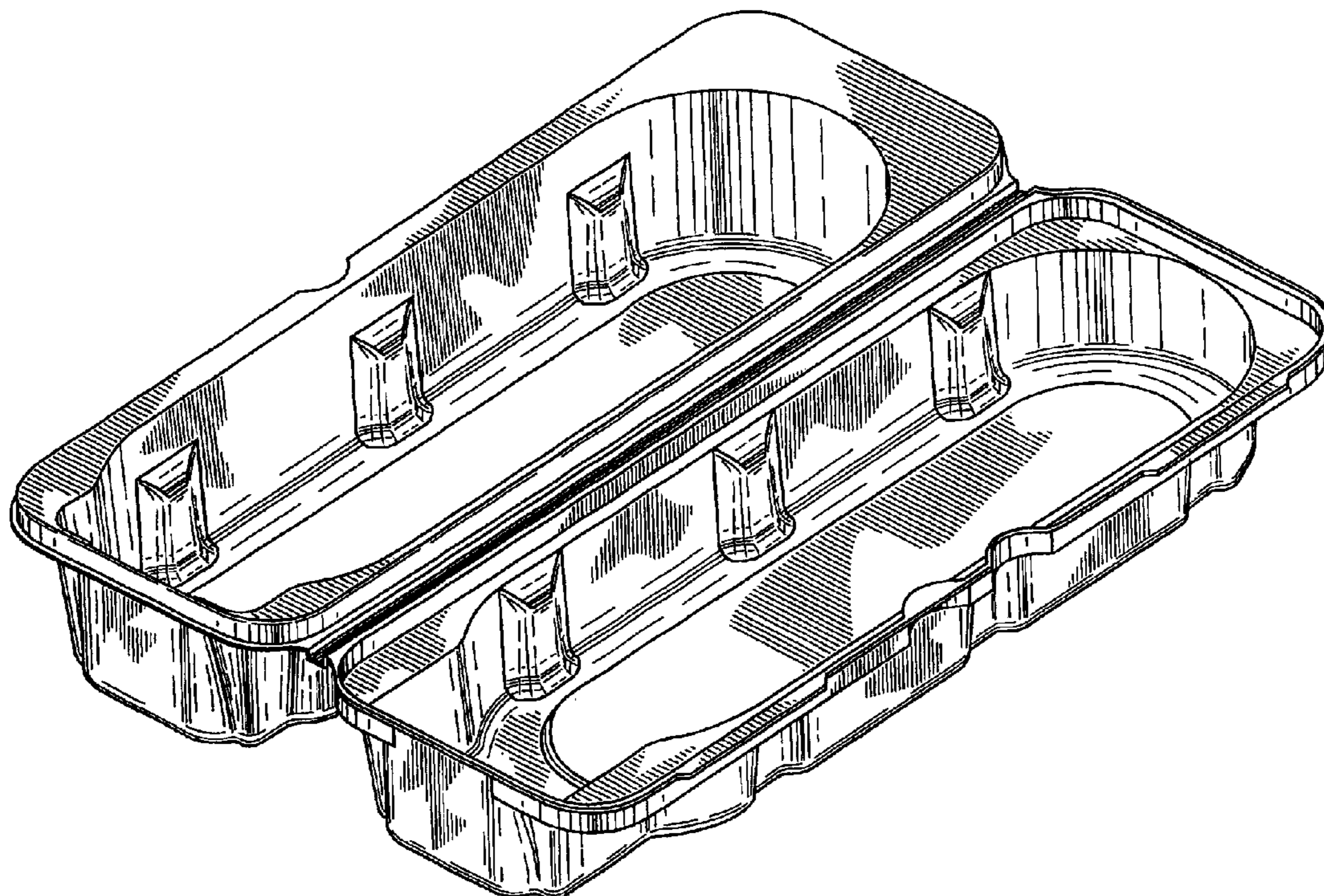
(57) **CLAIM**

We claim the ornamental design for a disposable cleaning head container, as shown and described.

DESCRIPTION

FIG. 1 is a perspective view of our new design; FIG. 2 is a top plan view thereof; FIG. 3 the left side elevational view thereof; FIG. 4 is a right side elevational view thereof; FIG. 5 is a bottom plan view thereof; FIG. 6 is a front elevational view thereof; and, FIG. 7 is a rear elevational view.

1 Claim, 5 Drawing Sheets



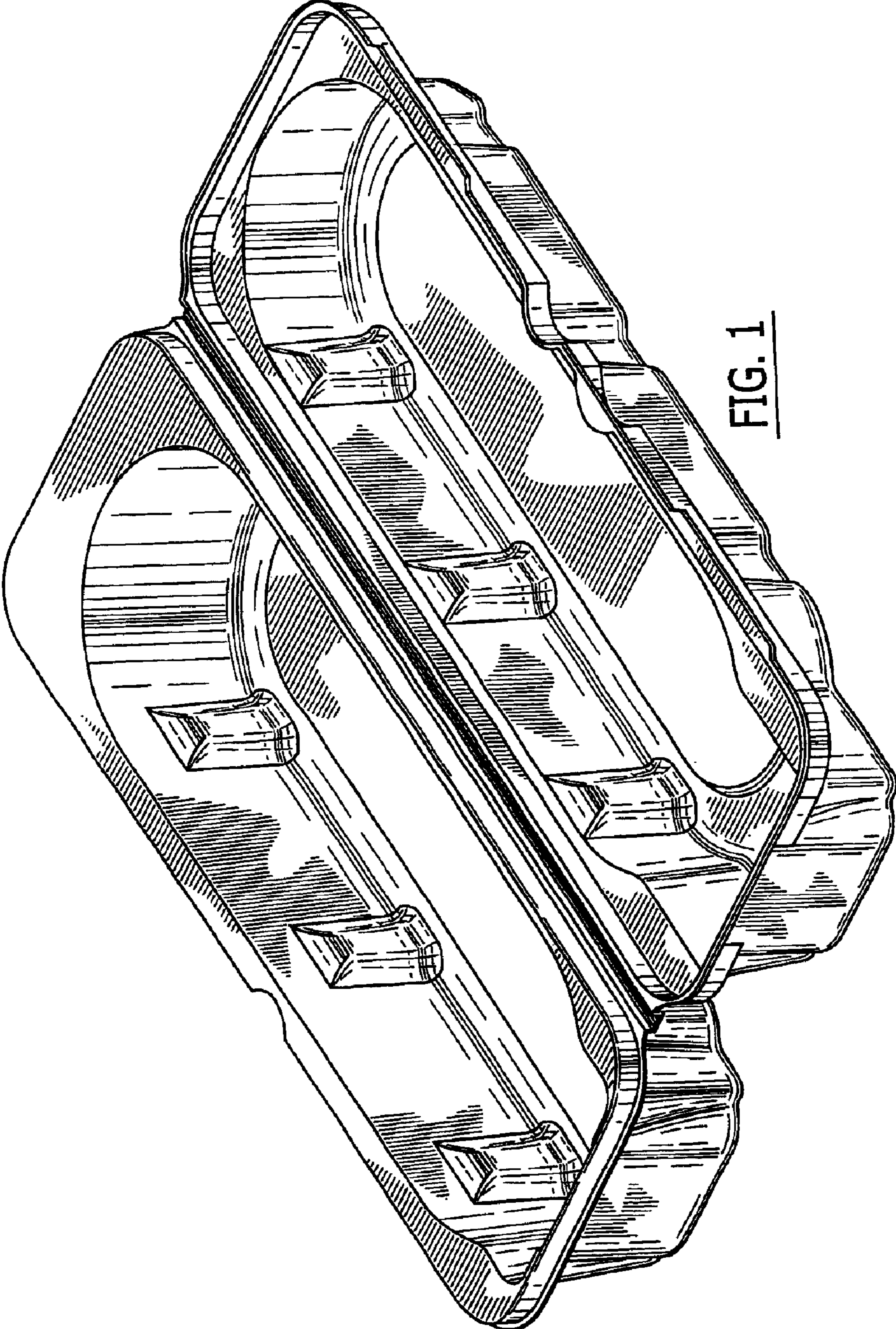


FIG. 1

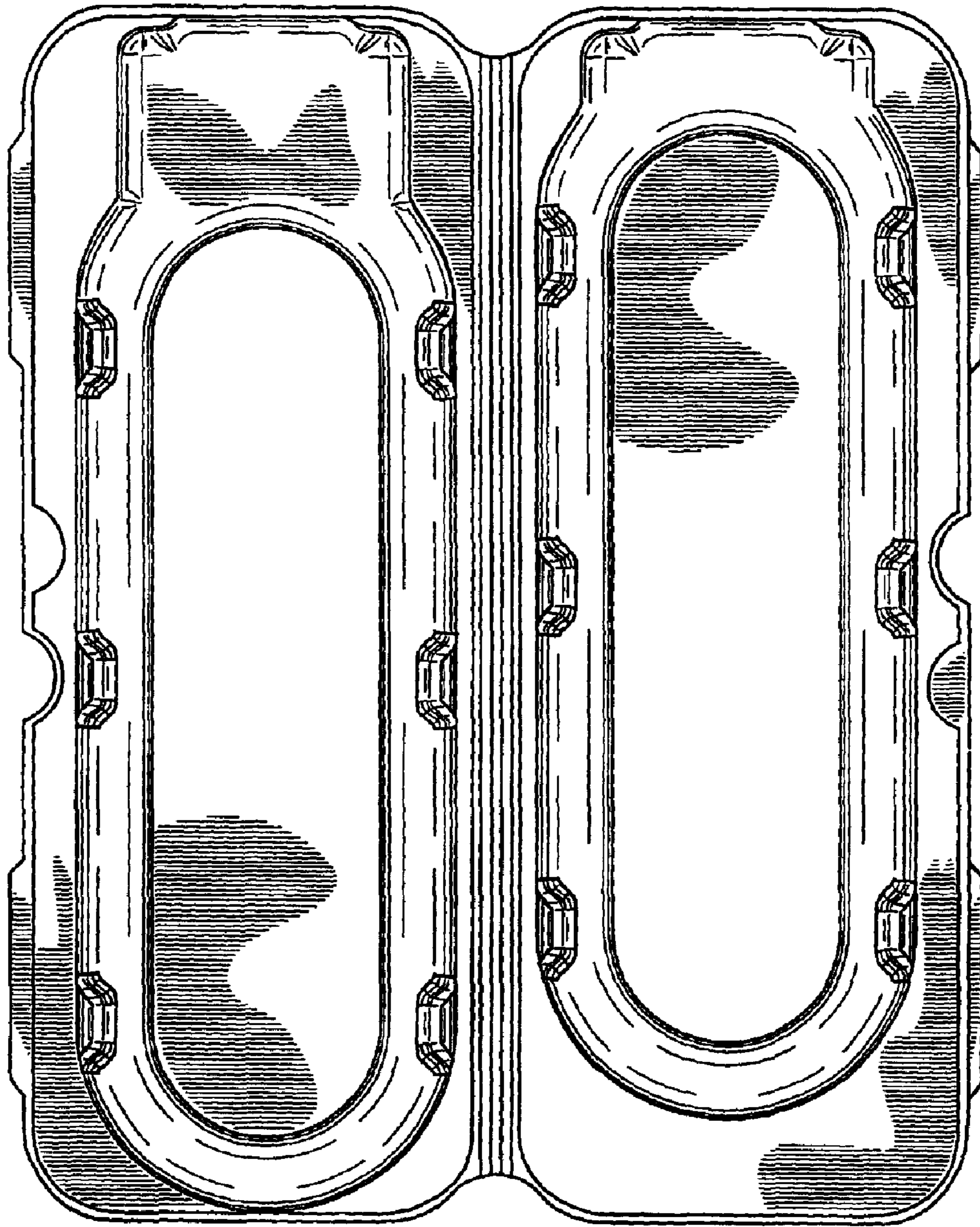


FIG. 2

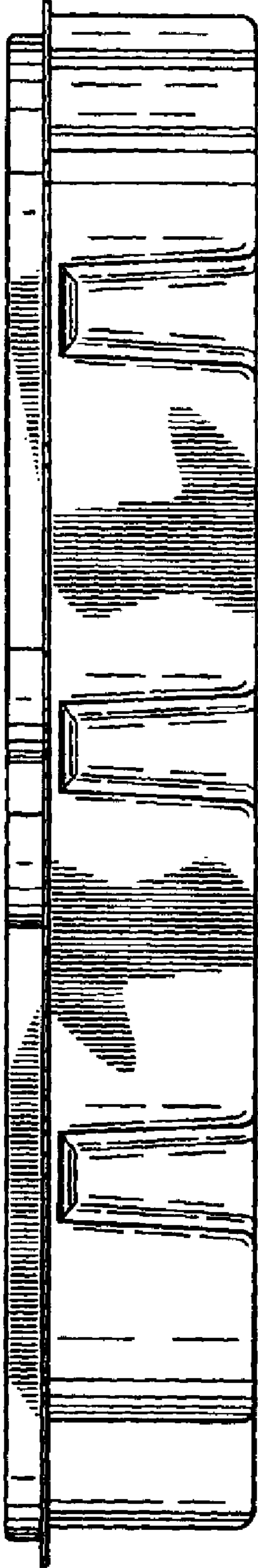


FIG. 3

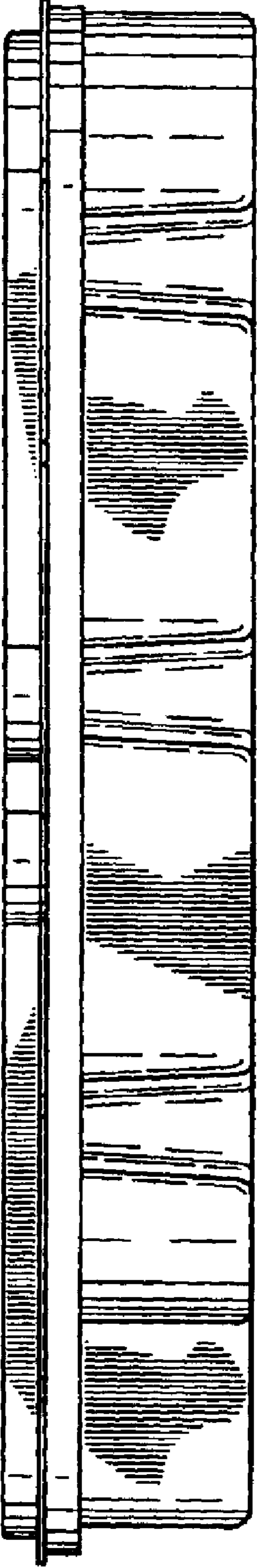


FIG. 4

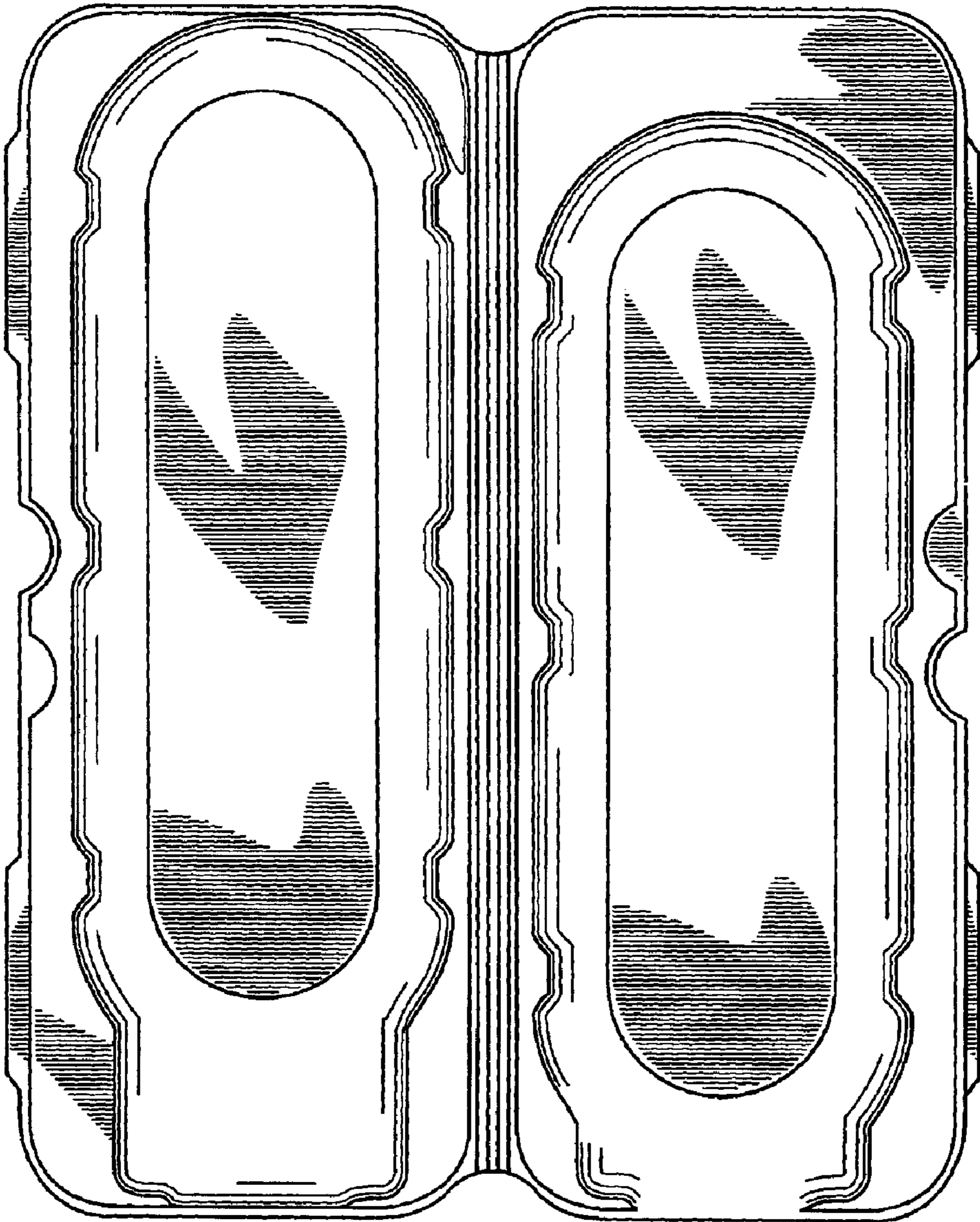


FIG. 5

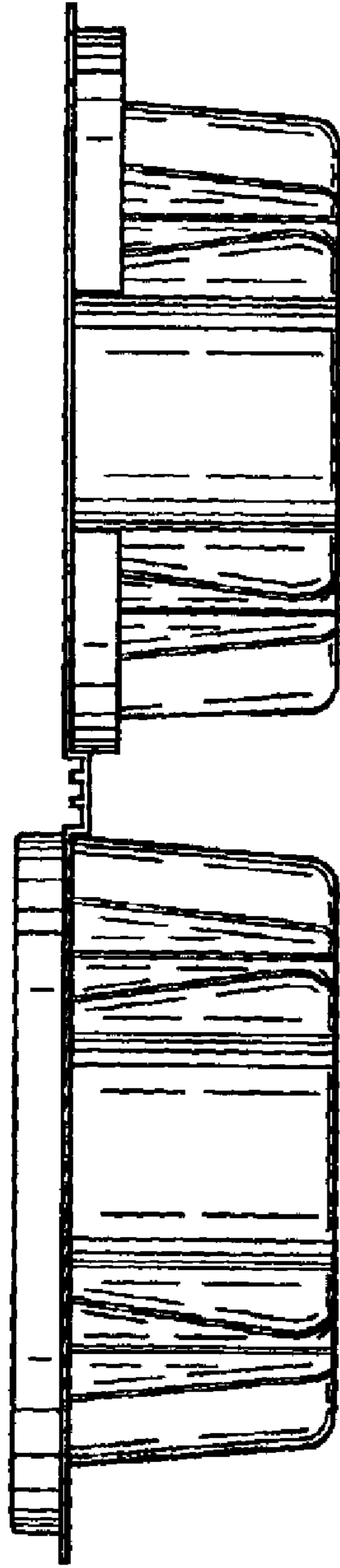


FIG. 6

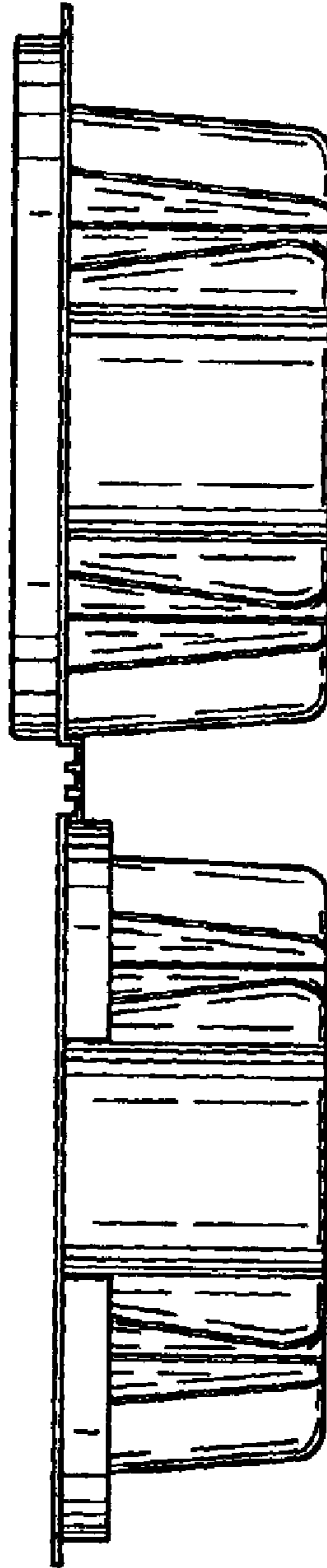


FIG. 7