

US00D504064S

(12) **United States Design Patent** (10) **Patent No.:** **US D504,064 S**  
**Lee et al.** (45) **Date of Patent:** **\*\* Apr. 19, 2005**

(54) **DUAL WINDOWED DISPLAY CABLE PACKAGE**

(75) Inventors: **Noel Lee**, Las Vegas, NV (US);  
**Kendrew Lee**, Fremont, CA (US)

(73) Assignee: **Monster Cable Products, Inc.**,  
Brisbane, CA (US)

(\*\*) Term: **14 Years**

(21) Appl. No.: **29/195,017**

(22) Filed: **Dec. 3, 2003**

(51) **LOC (7) Cl.** ..... **09-07**

(52) **U.S. Cl.** ..... **D9/415; D9/418**

(58) **Field of Search** ..... D9/414, 415, 418,  
D9/457; 206/461-471, 806, 495, 701, 702,  
710, 711, 579, 389, 775-779

(56) **References Cited**

**U.S. PATENT DOCUMENTS**

3,402,810	A	*	9/1968	Percelay	.....	206/461
3,434,591	A	*	3/1969	Hanscom	.....	242/160.4
4,285,157	A	*	8/1981	Lambert	.....	446/76
4,613,038	A	*	9/1986	Kirk	.....	206/216
6,039,185	A	*	3/2000	Pedracine et al.	.....	206/704
D438,461	S	*	3/2001	Yamagishi	.....	D9/415
D481,629	S	*	11/2003	Milan	.....	D9/415
D484,044	S	*	12/2003	Milan	.....	D9/415
D485,752	S	*	1/2004	Milan	.....	D9/415
D490,702	S	*	6/2004	Milan	.....	D9/415

\* cited by examiner

*Primary Examiner*—Prabhakar Deshmukh  
(74) *Attorney, Agent, or Firm*—LaRiviere, Grubman & Payne, LLP

(57) **CLAIM**

The ornamental design for a dual windowed display cable package, as shown.

**DESCRIPTION**

A portion of the disclosure of this patent document contains material which is subject to copyright protection. The copyright owner has no objection to the facsimile reproduction by anyone of the patent document or the patent disclosure, as it appears in the U.S. Patent and Trademark Office patent files or records, but otherwise reserves all copyright rights whatsoever.

FIG. 1 is a perspective view of a dual windowed display cable package, in accordance with the present invention.

FIG. 2 is a top view of a dual windowed display cable package, in accordance with the present invention.

FIG. 3 is a right side view of a dual windowed display cable package, in accordance with the present invention.

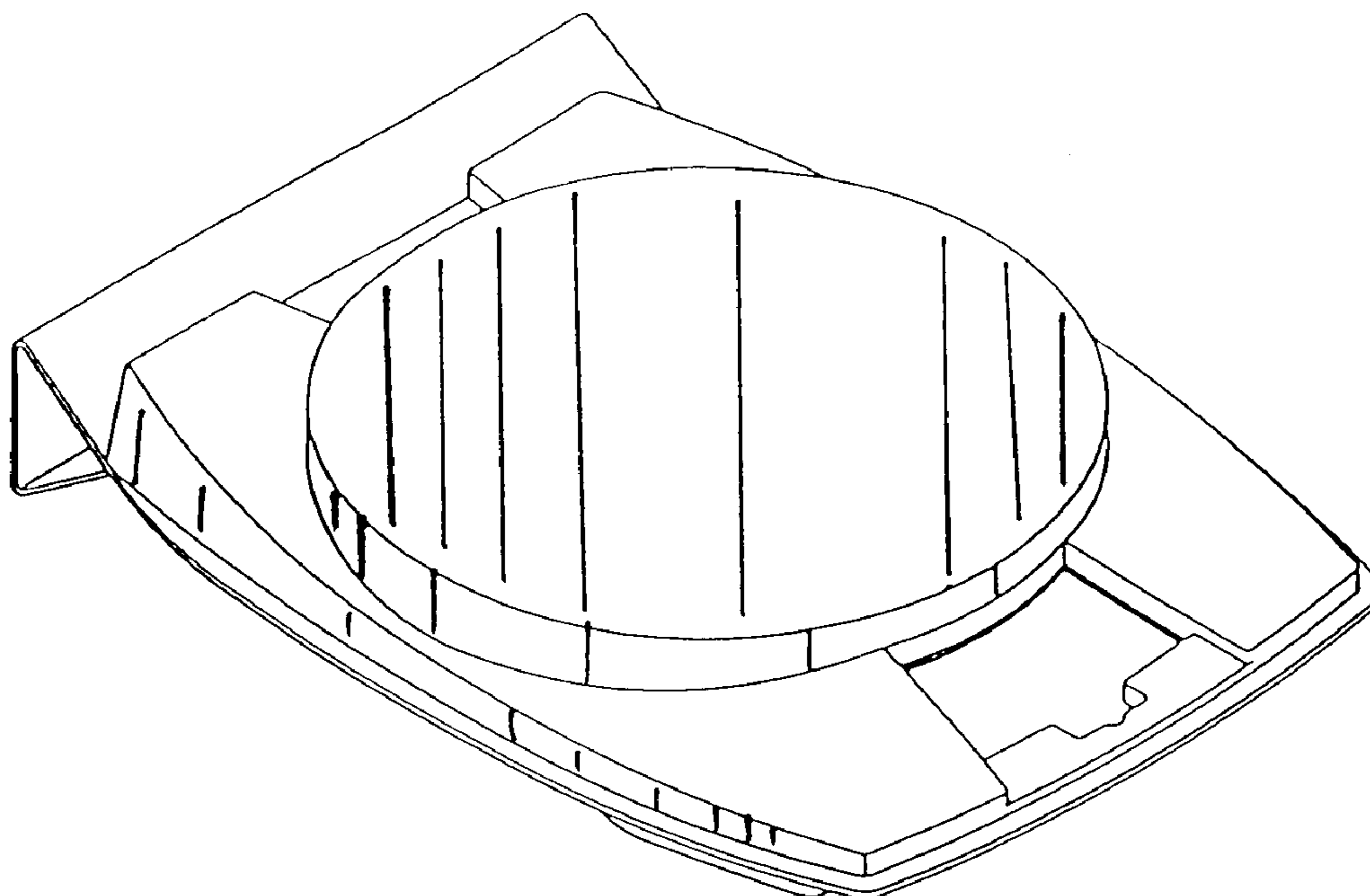
FIG. 4 is a front side view of a dual windowed display cable package, in accordance with the present invention.

FIG. 5 is a bottom view of a dual windowed display cable package, in accordance with the present invention.

FIG. 6 is a left side view of a dual windowed display cable package, in accordance with the present invention; and,

FIG. 7 is a rear view of a dual windowed display cable package, in accordance with the present invention.

**1 Claim, 3 Drawing Sheets**



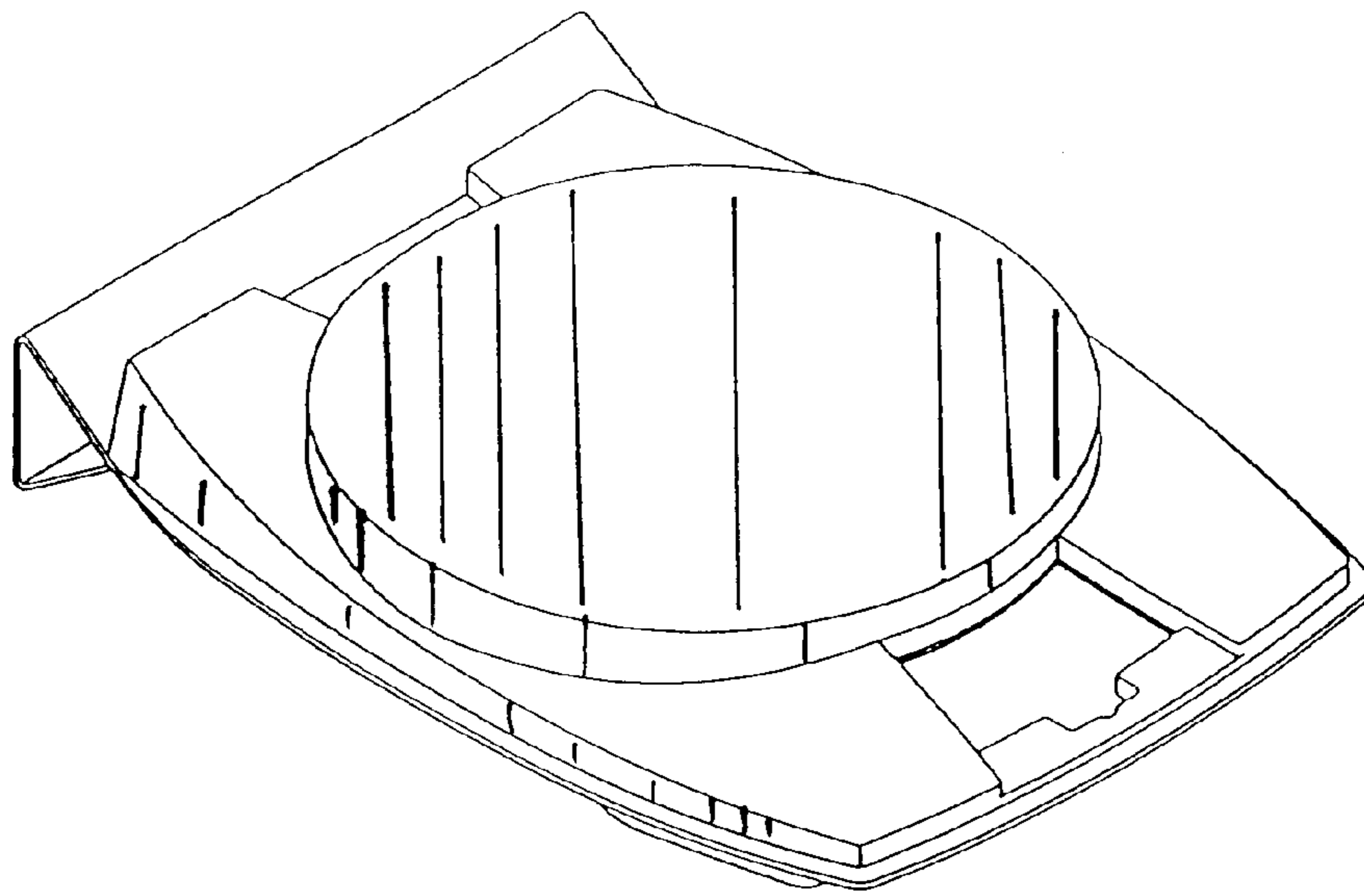


Figure 1

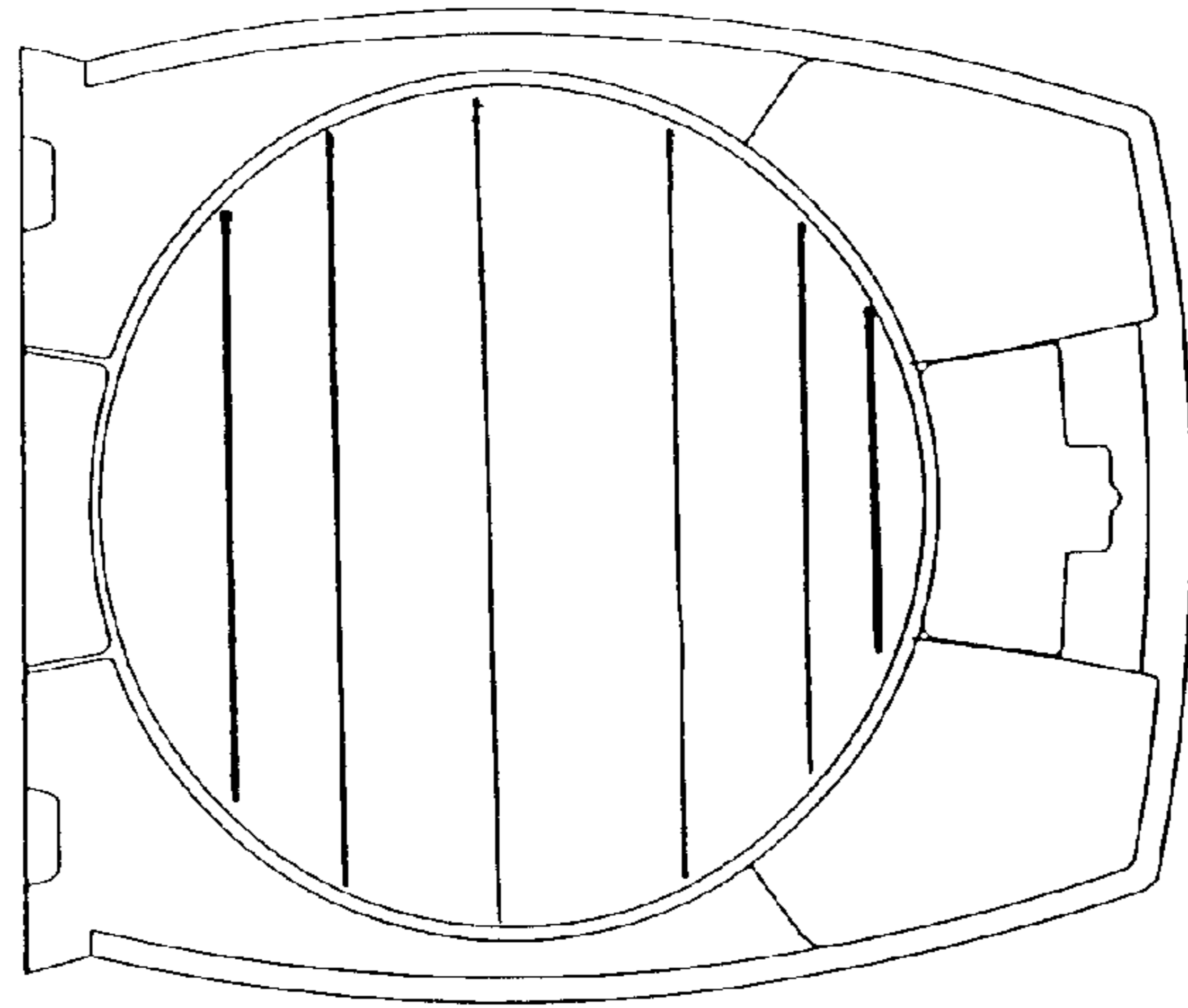


Figure 2

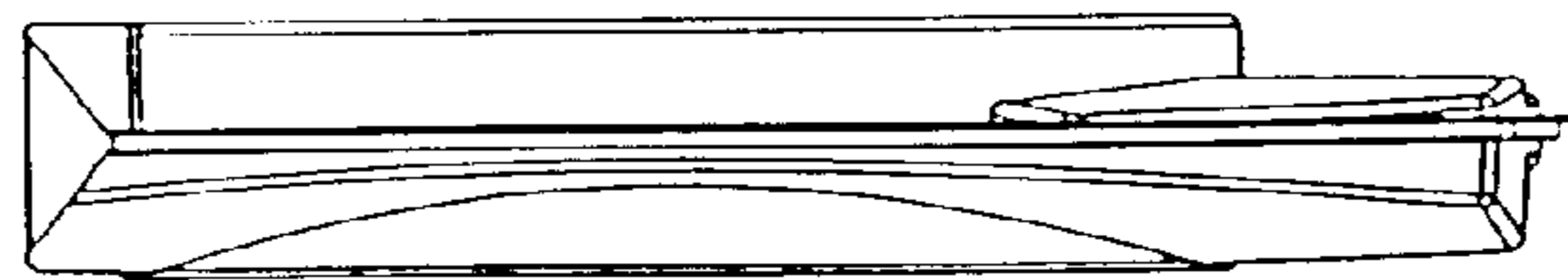


Figure 3

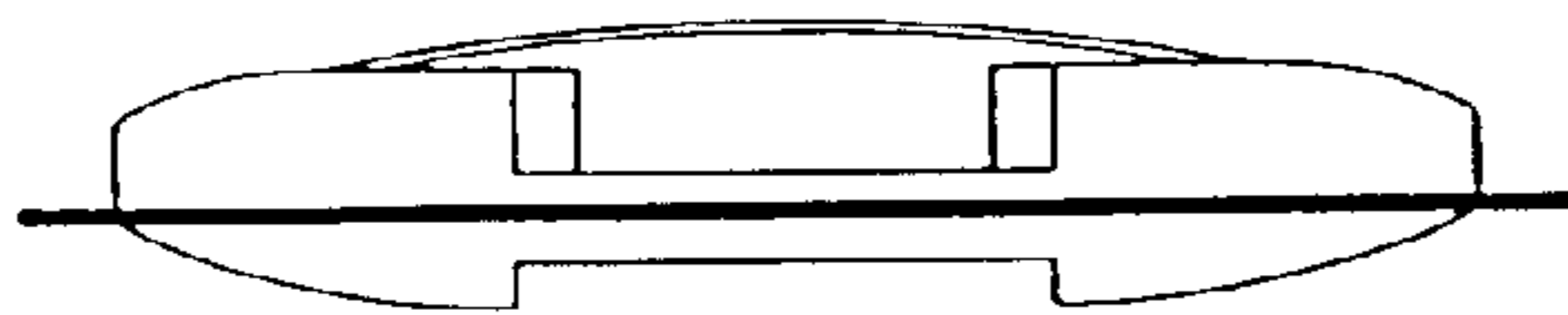


Figure 4

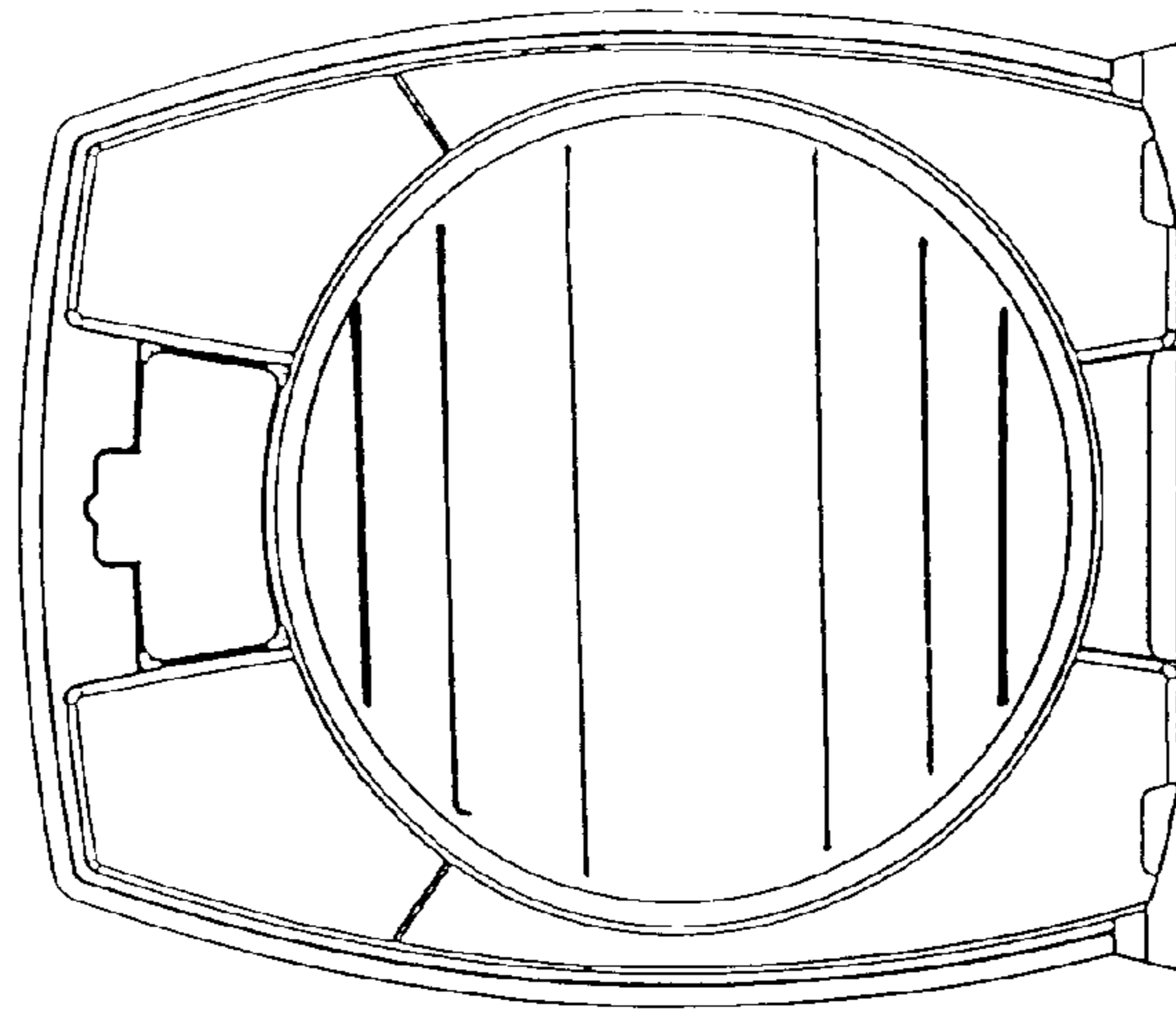


Figure 5



Figure 6



Figure 7