

US00D504062S

(12) **United States Design Patent**  
**Gerrits**

(10) **Patent No.: US D504,062 S**

(45) **Date of Patent: \*\* Apr. 19, 2005**

(54) **EXTRUSION**

(76) **Inventor: Marc Jurgen Gerrits**, 378 Muriwai Road, Muriwai, RD 1, Waimauku 1250, Auckland (NZ)

(\*\*) **Term: 14 Years**

(21) **Appl. No.: 29/189,350**

(22) **Filed: Sep. 3, 2003**

(51) **LOC (7) Cl. .... 08-08**

(52) **U.S. Cl. .... D8/394**

(58) **Field of Search ..... D8/394, 383; 24/516, 24/518, 543**

(56) **References Cited**

**U.S. PATENT DOCUMENTS**

- 1,129,361 A \* 2/1915 Perry ..... 24/543
- 2,775,013 A \* 12/1956 Edelmira ..... 24/518
- 3,531,835 A \* 10/1970 Paikin ..... 24/516

**FOREIGN PATENT DOCUMENTS**

DE 10034171 \* 2/2002

\* cited by examiner

*Primary Examiner*—Holly Baynham

(74) *Attorney, Agent, or Firm*—Greer, Burns & Crain, LTD

(57) **CLAIM**

The ornamental design for an extrusion, as shown and described.

**DESCRIPTION**

FIG. 1 is a front perspective view of the present design extrusion;

FIG. 2 is a front view of same;

FIG. 3 is a rear view of same;

FIG. 4 is a top view of the extrusion of FIG. 1;

FIG. 5 is bottom view of the extrusion of FIG. 1;

FIG. 6 is a right side view of the extrusion of FIG. 1;

FIG. 7 is a left side view of same;

FIG. 8 is a front perspective view of the extrusion of FIG. 1 shown in the open position;

FIG. 9 is a right side view of the extrusion of FIG. 8; and,

FIG. 10 is a left side view of the extrusion of FIG. 8.

The claimed article is partially shown for ease of illustration.

**1 Claim, 10 Drawing Sheets**

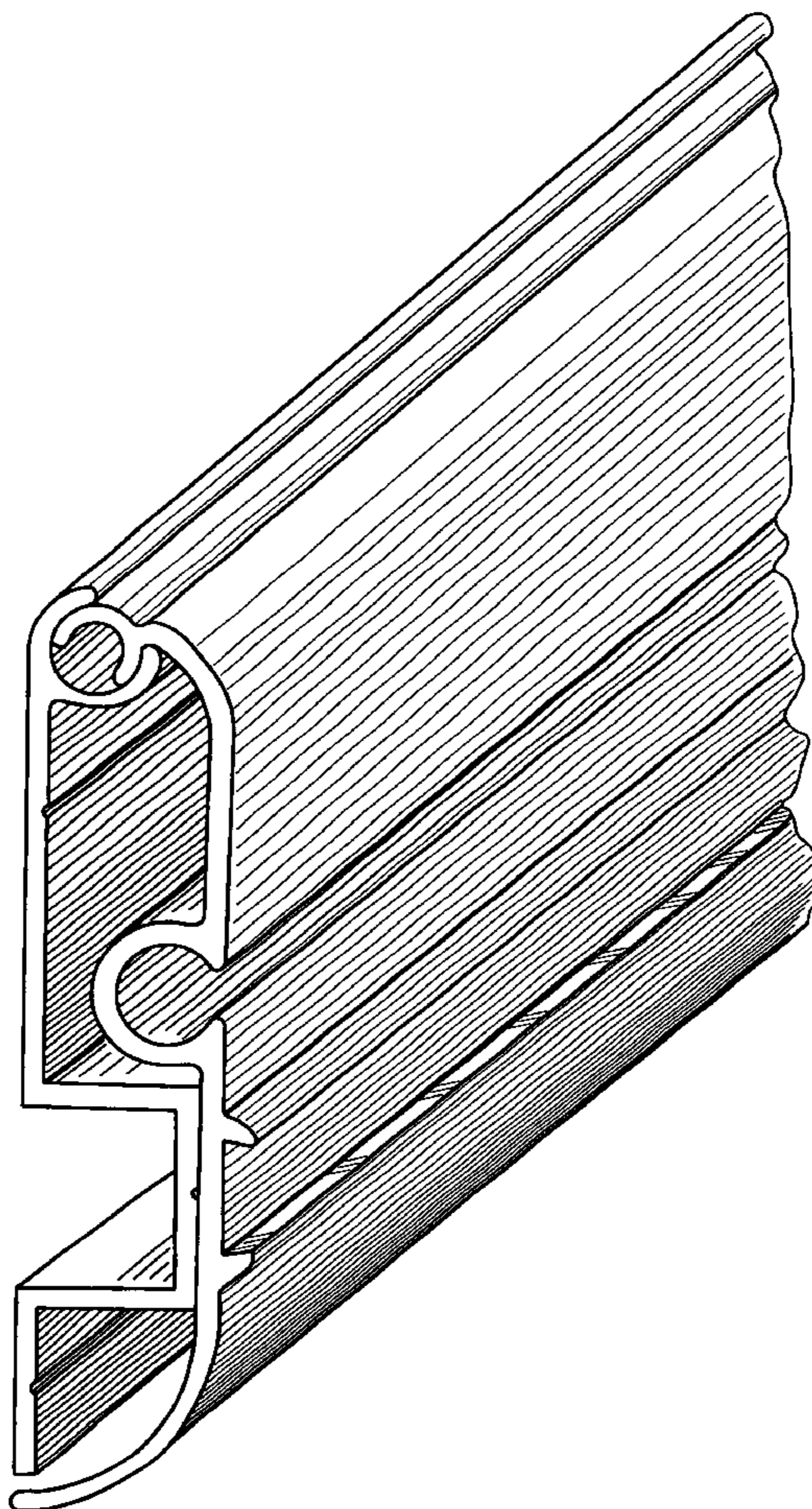




FIG. 1

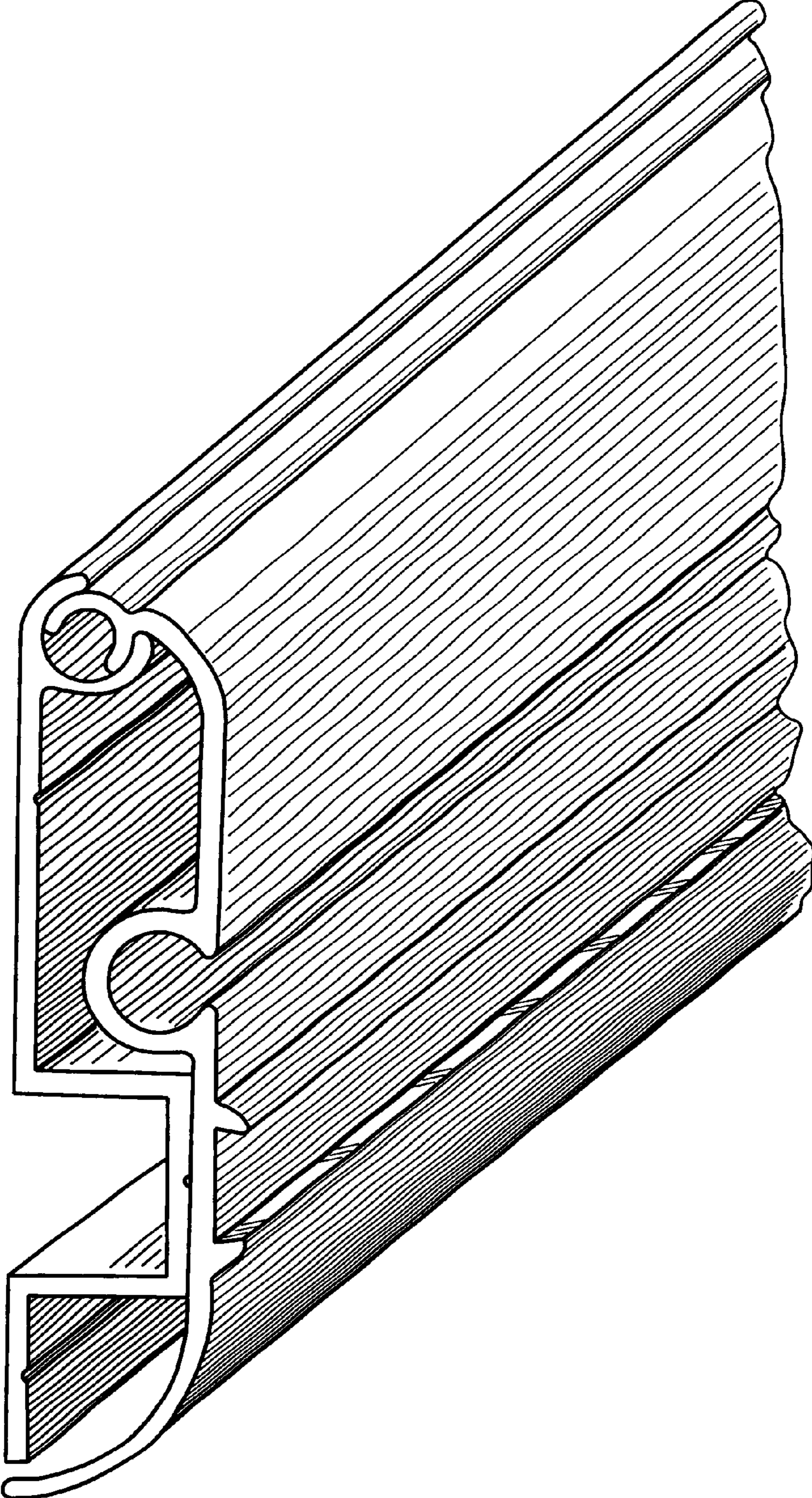


FIG. 2

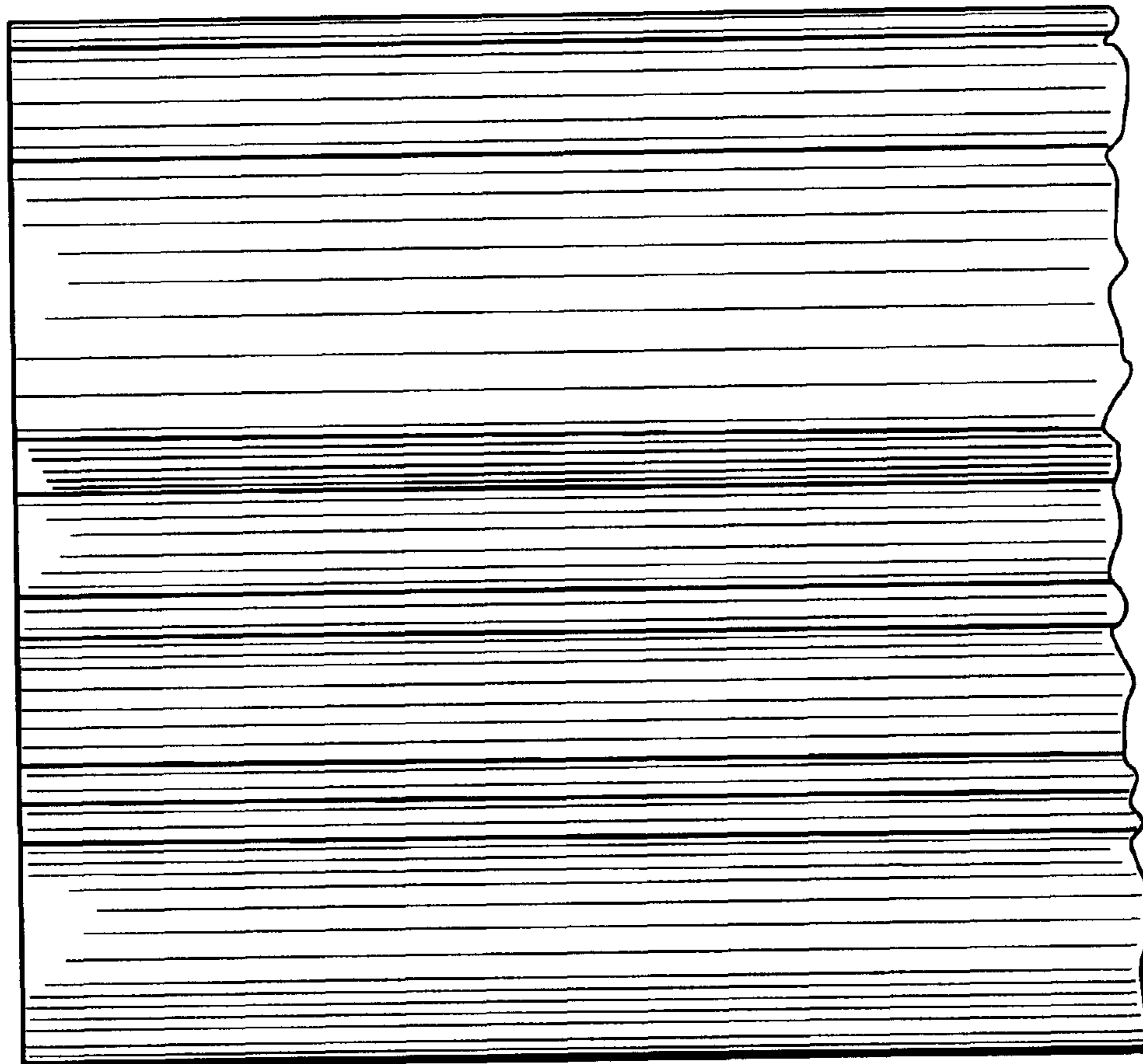


FIG. 3

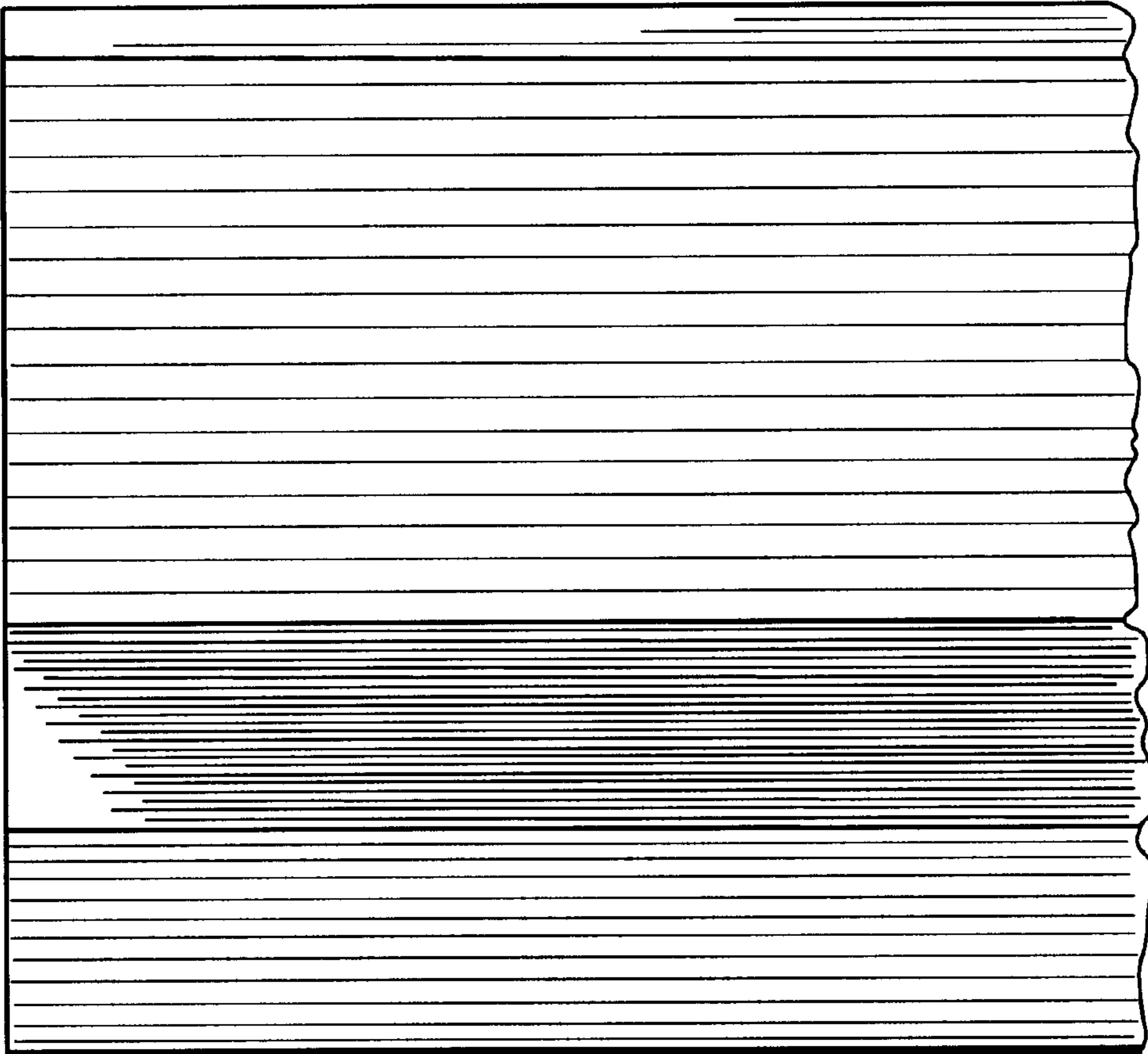


FIG. 4

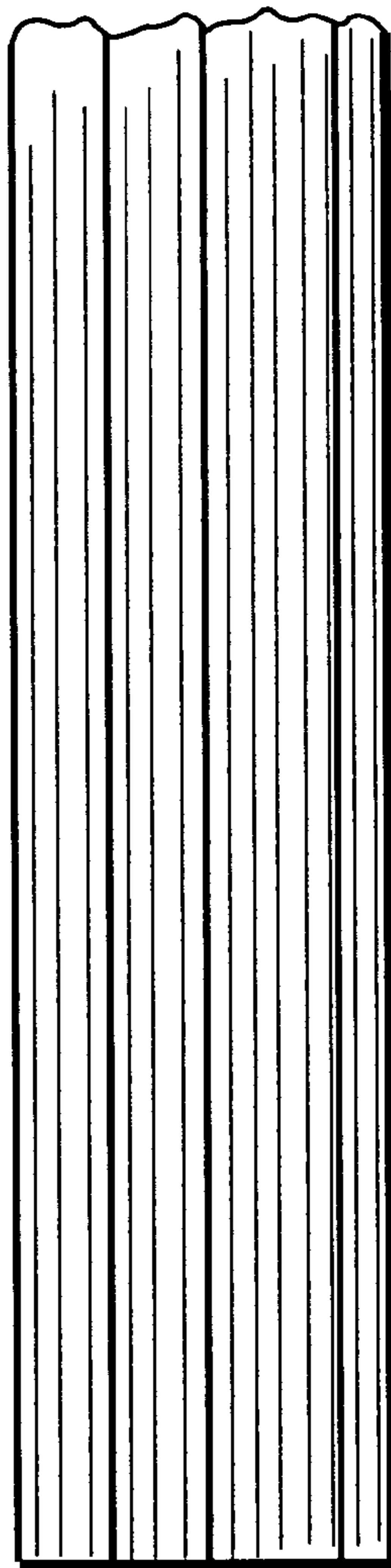


FIG. 5

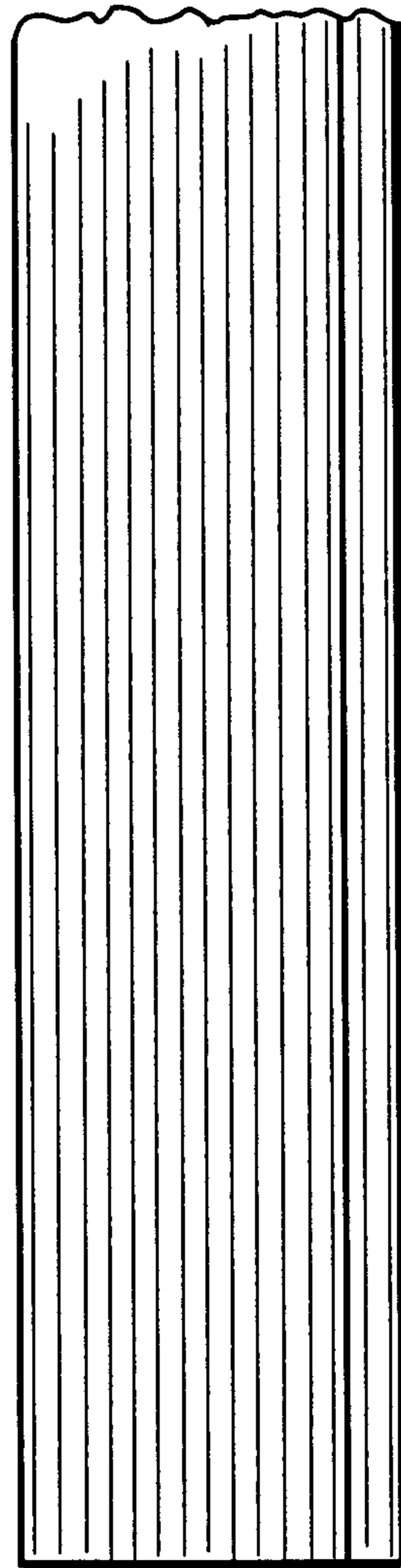


FIG. 6

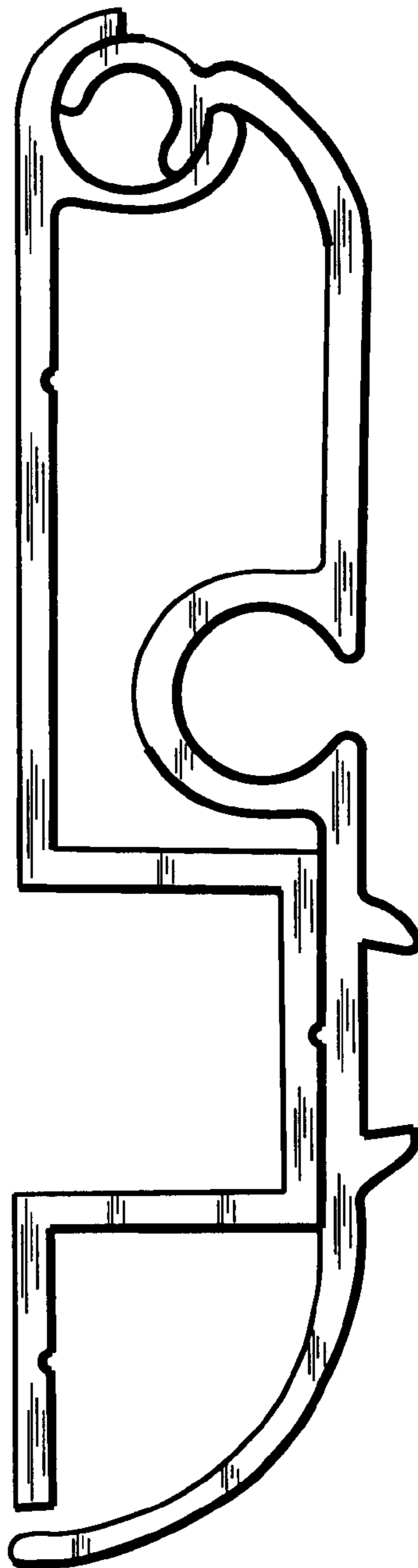




FIG. 7

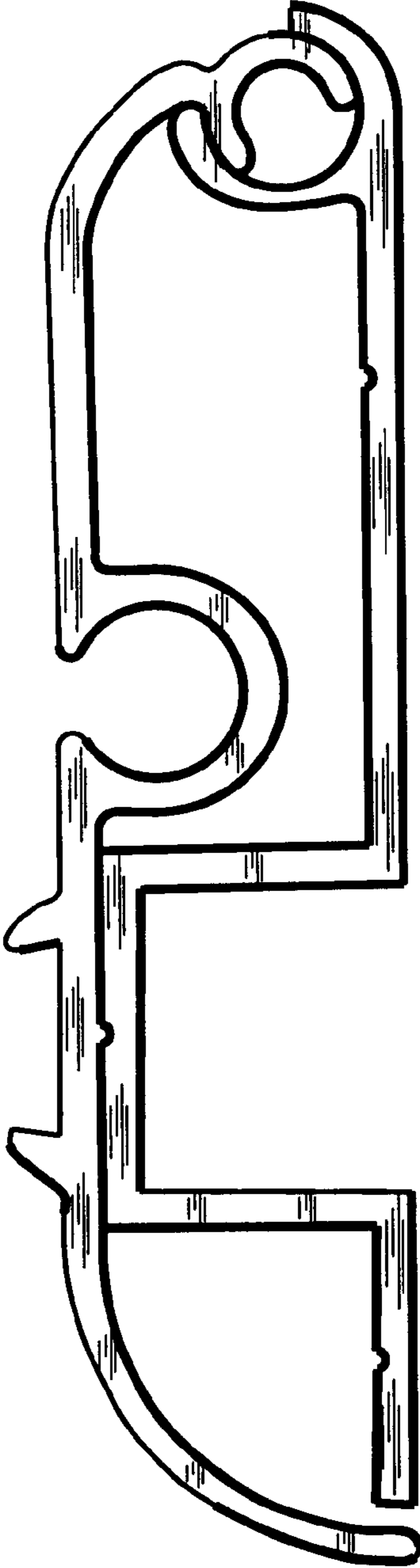




FIG. 8

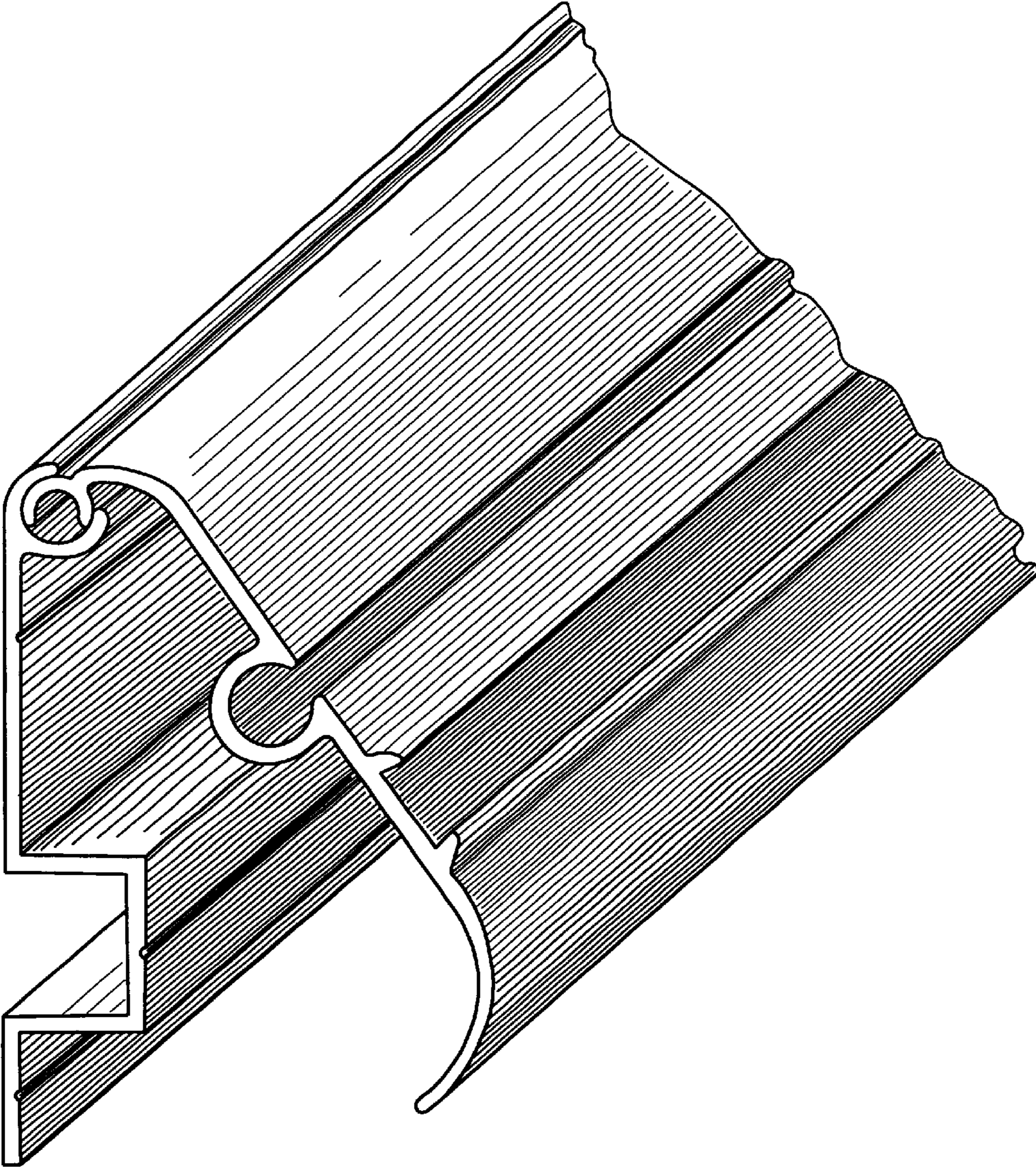


FIG. 9

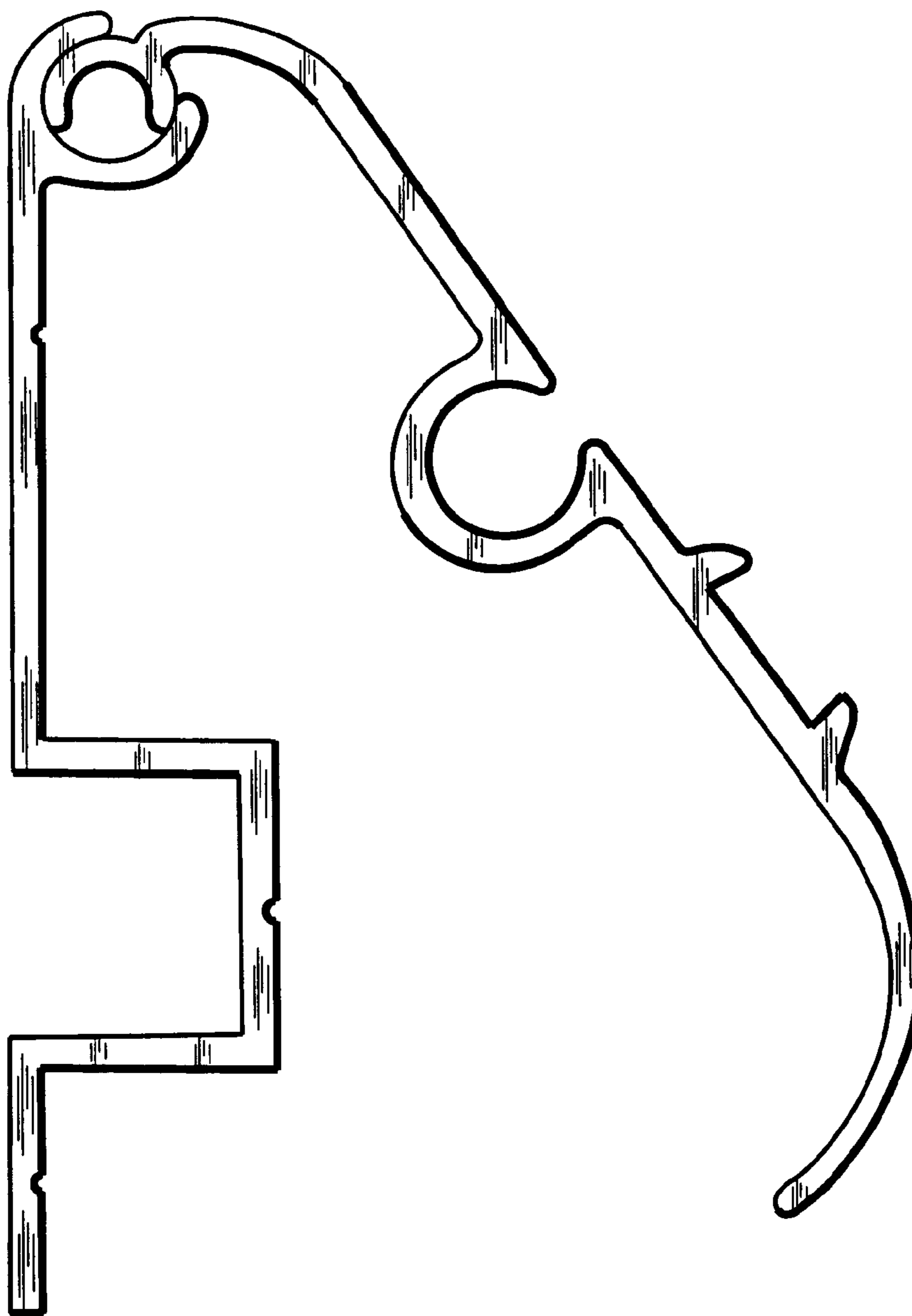


FIG. 10

