

US00D504061S

(12) **United States Design Patent** (10) **Patent No.:** **US D504,061 S**
Fisher et al. (45) **Date of Patent:** **** Apr. 19, 2005**

(54) **UNIVERSAL JOINT ADAPTER FLANGE**

(75) Inventors: **Tim Fisher**, Alexandria, MN (US);
Marvin Hoffman, Alexandria, MN (US)

(73) Assignee: **Bigelow Group, LLC**, Boulder, CO (US)

(**) Term: **14 Years**

(21) Appl. No.: **29/183,161**

(22) Filed: **Jun. 6, 2003**

(51) **LOC (7) Cl.** **08-08**

(52) **U.S. Cl.** **D8/382**

(58) **Field of Search** D8/382, 380; D23/259,
D23/262, 265; 285/368, 56, 2

(56) **References Cited**

U.S. PATENT DOCUMENTS

D282,867 S	*	3/1986	Ryan et al.	D23/259
D284,022 S	*	5/1986	Milot et al.	D23/265
D332,653 S	*	1/1993	Ryan	D23/262
D334,051 S	*	3/1993	Fell, Sr.	D23/262
6,070,910 A	*	6/2000	Hodges	285/2
D462,256 S		9/2002	Jaynes	D8/382

OTHER PUBLICATIONS

W.W. Grainger, Inc catalog, p. 1084, paint spray tip, circled item located at bottom of page, Spring 1988.*

* cited by examiner

Primary Examiner—Holly Baynham

(74) *Attorney, Agent, or Firm*—Marsh Fischmann & Breyfogle LLP

(57) **CLAIM**

The ornamental design for a universal joint adapter flange, as shown and described.

DESCRIPTION

FIG. 1 is a front perspective view of the universal joint adapter flange;

FIG. 2 is a rear perspective view of the universal joint adapter flange;

FIG. 3 is a first side view of the universal joint adapter flange;

FIG. 4 is a second side view of the universal joint adapter flange;

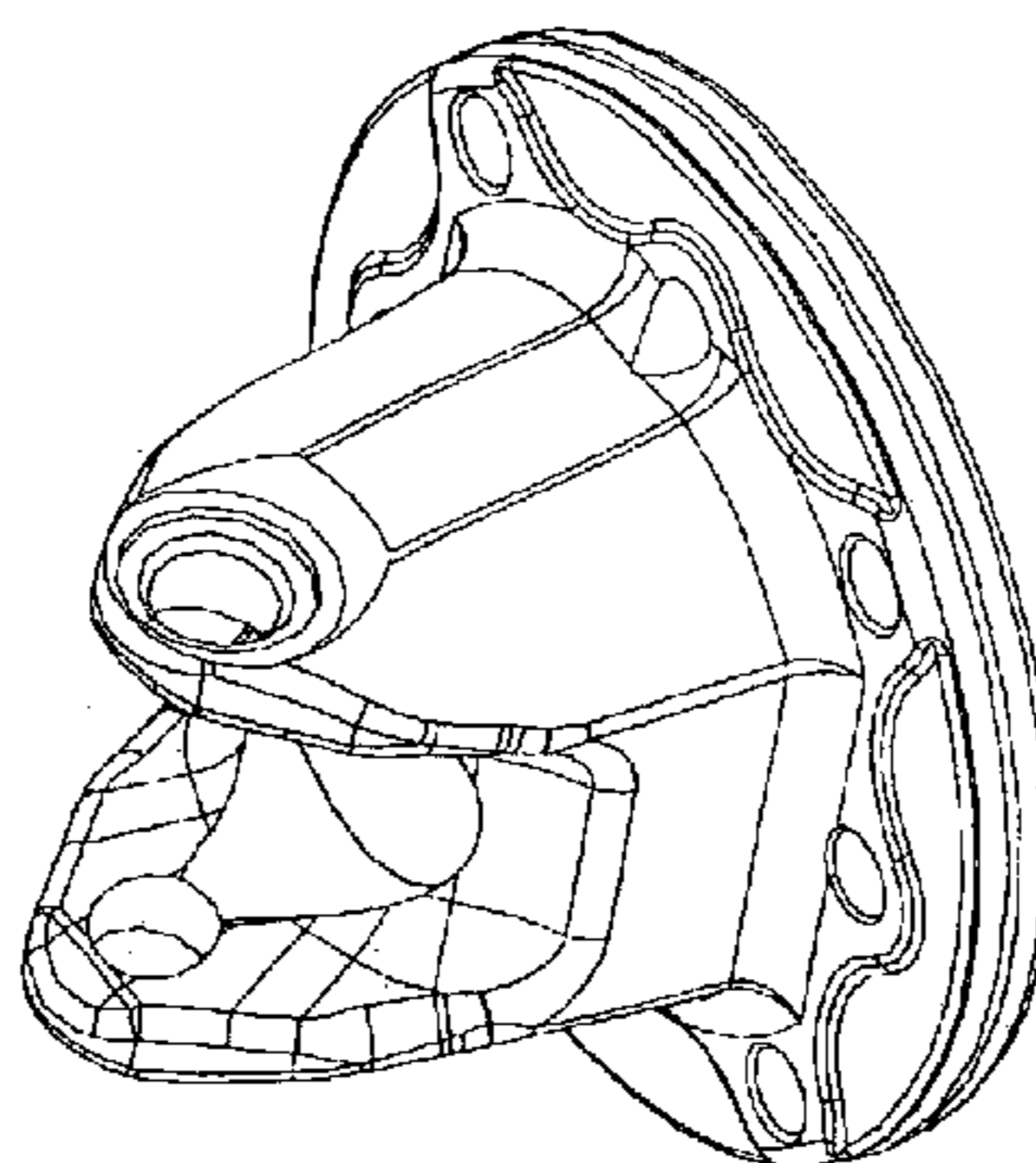
FIG. 5 is a third side view of the universal joint adapter flange;

FIG. 6 is a fourth side view of the universal joint adapter flange;

FIG. 7 is a top view of the universal joint adapter flange; and,

FIG. 8 is a bottom view of the universal joint adapter flange.

1 Claim, 8 Drawing Sheets



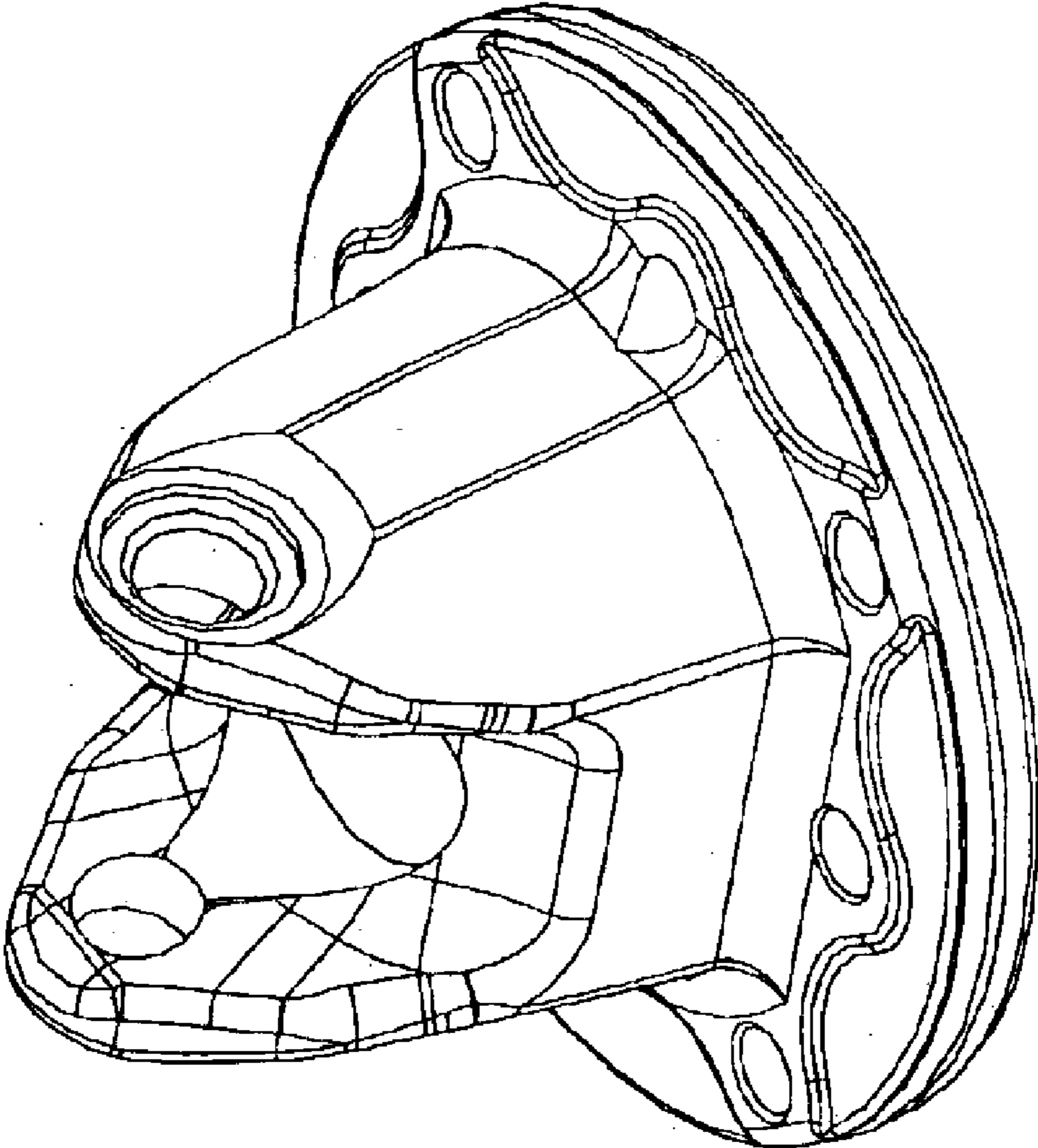


FIG. 1

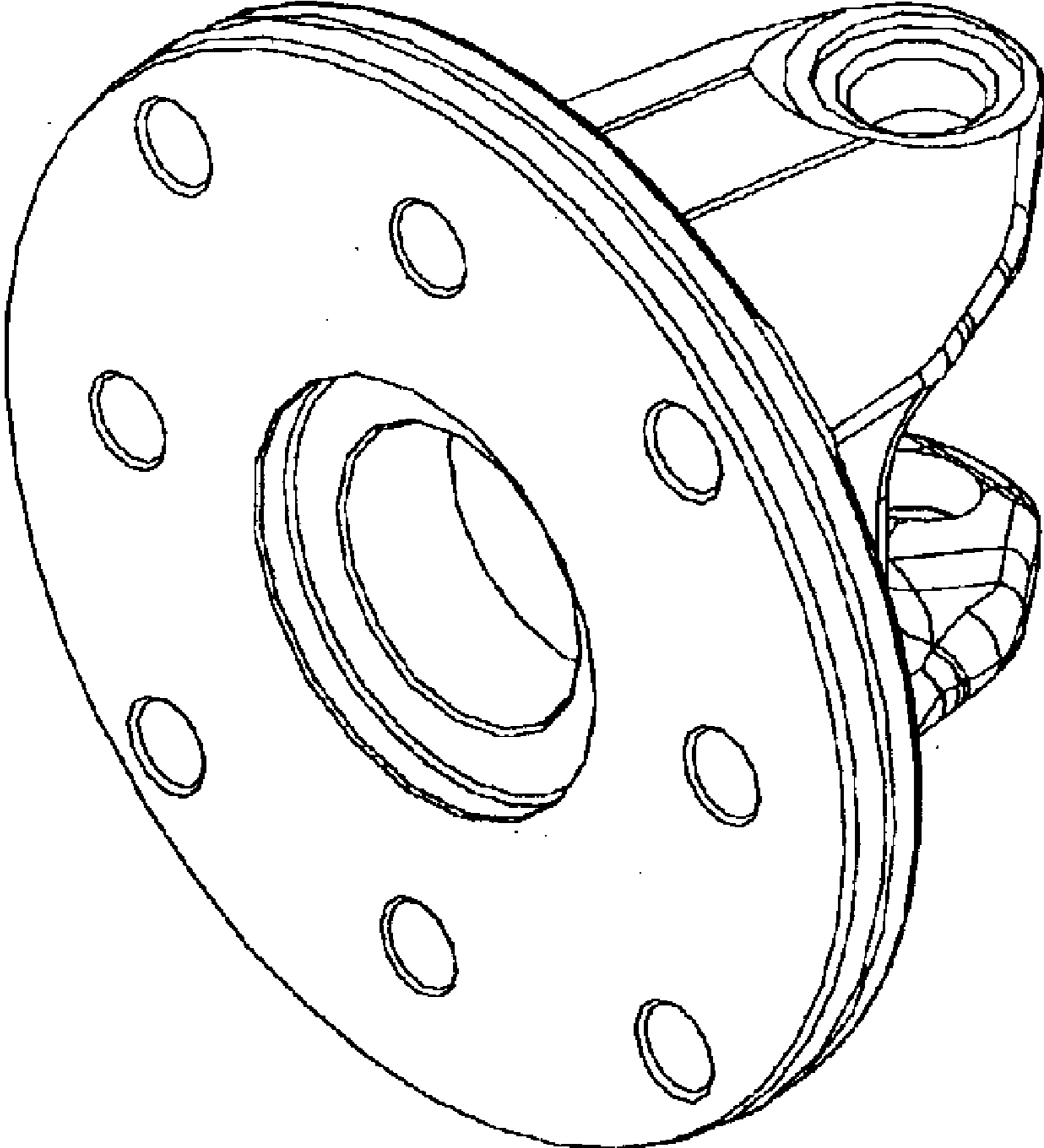


FIG. 2

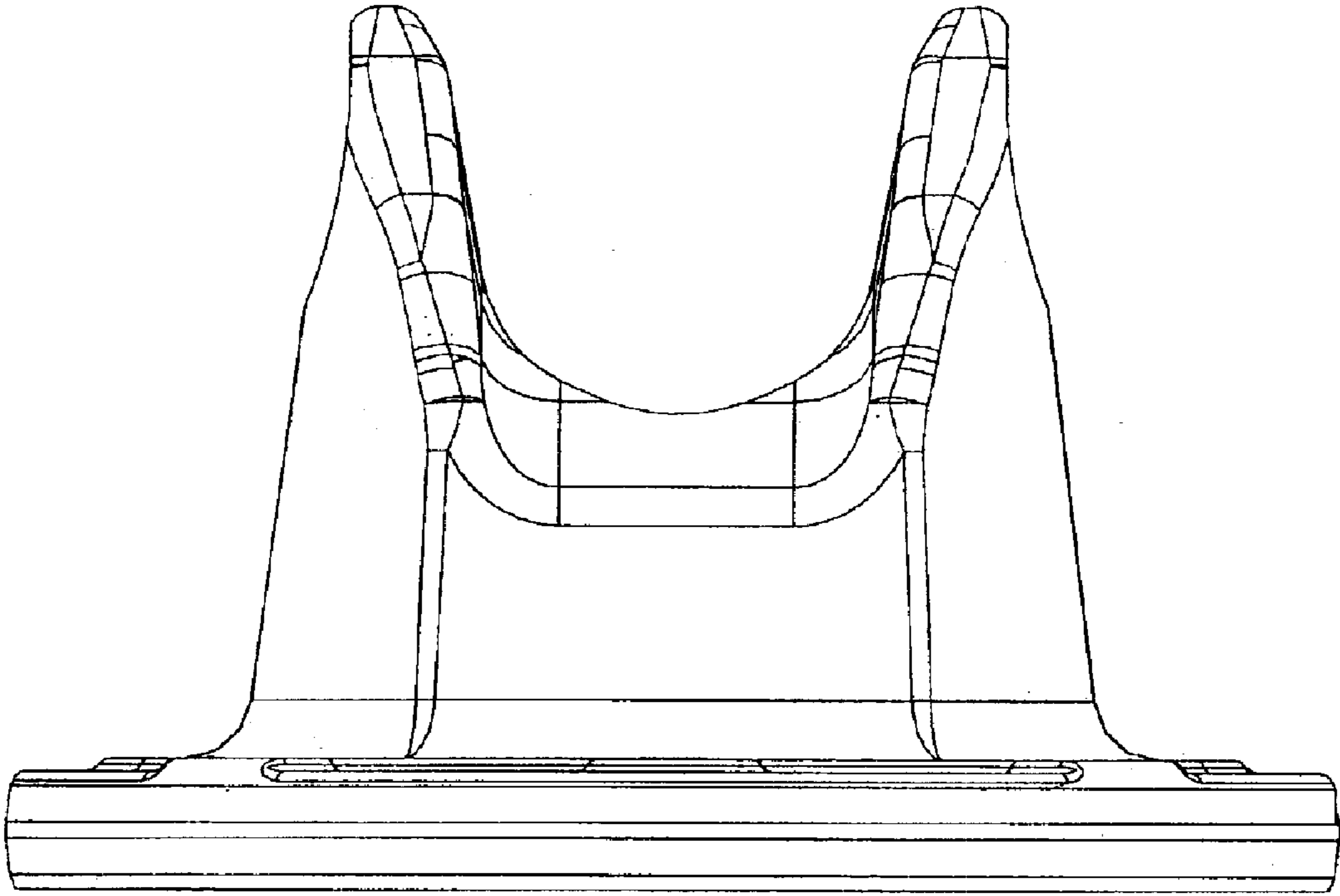


FIG. 3

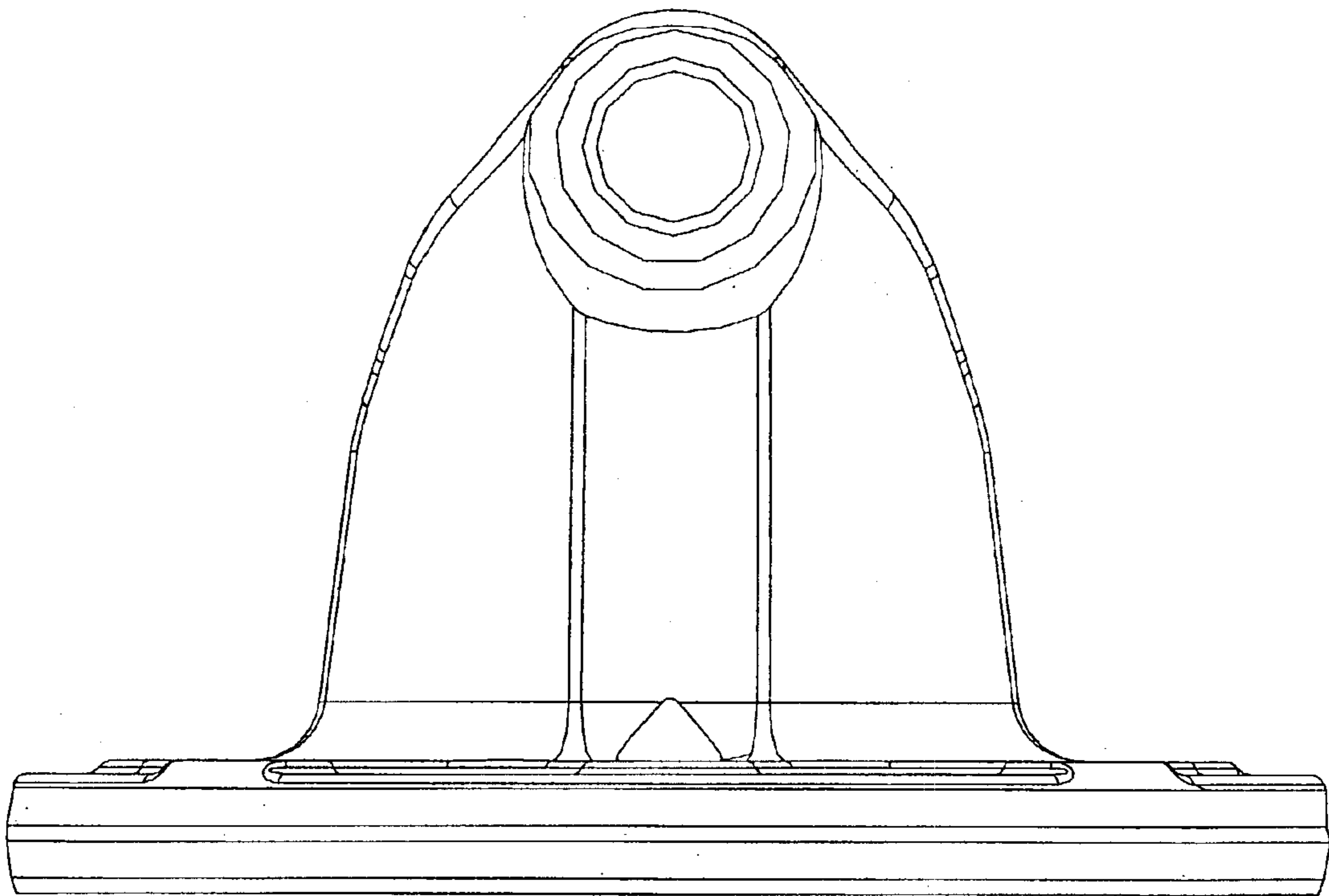


FIG. 4

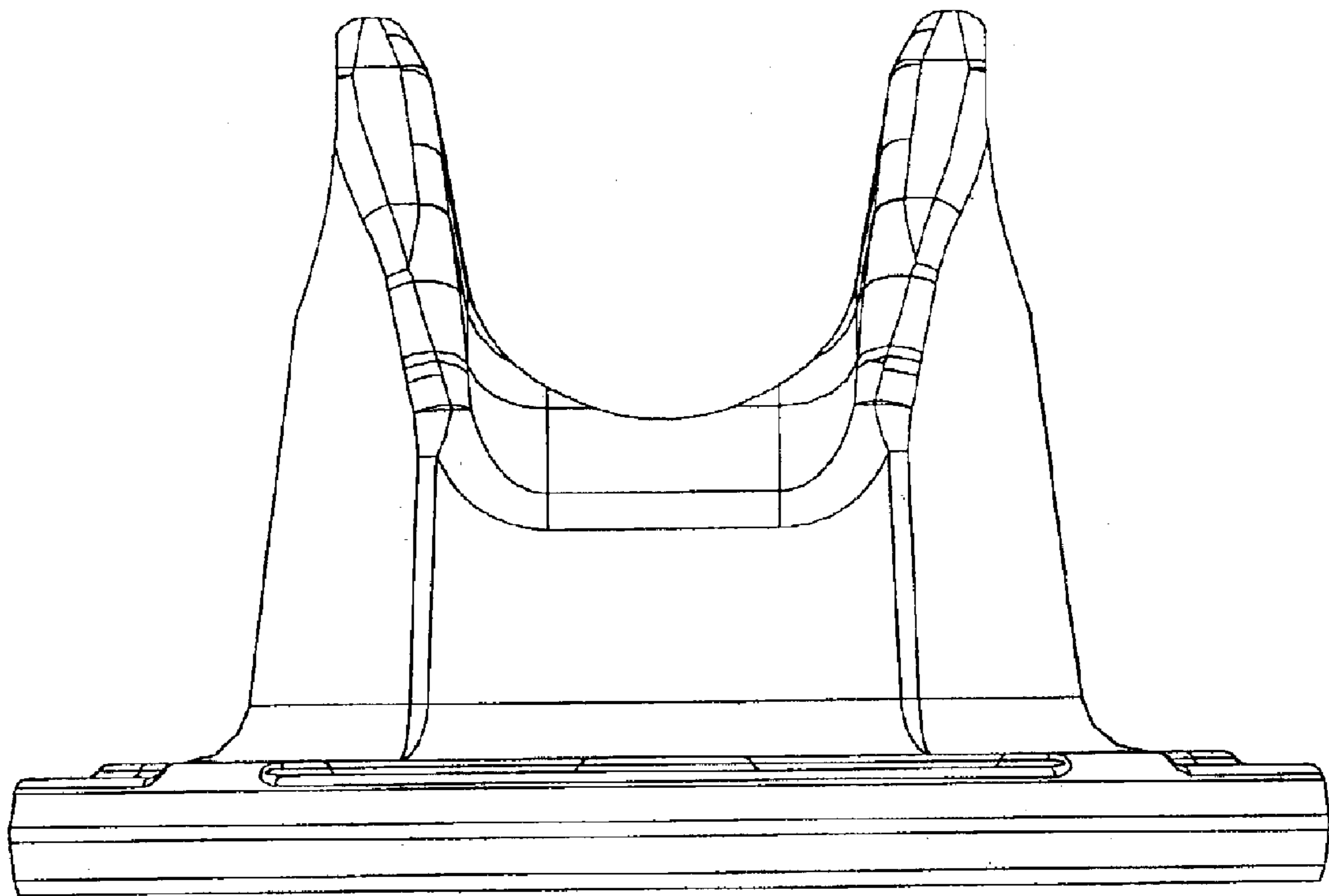


FIG. 5

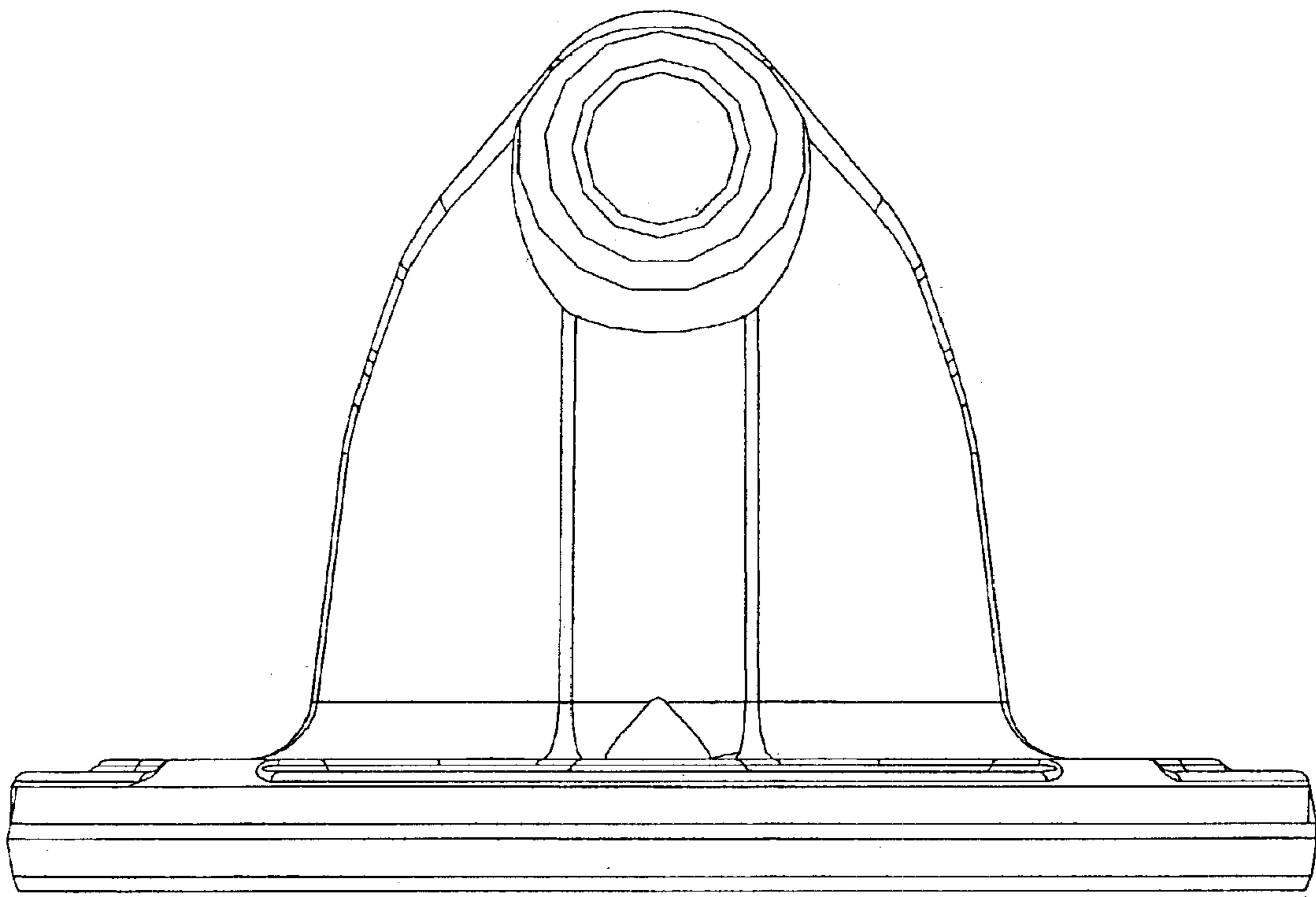


FIG. 6

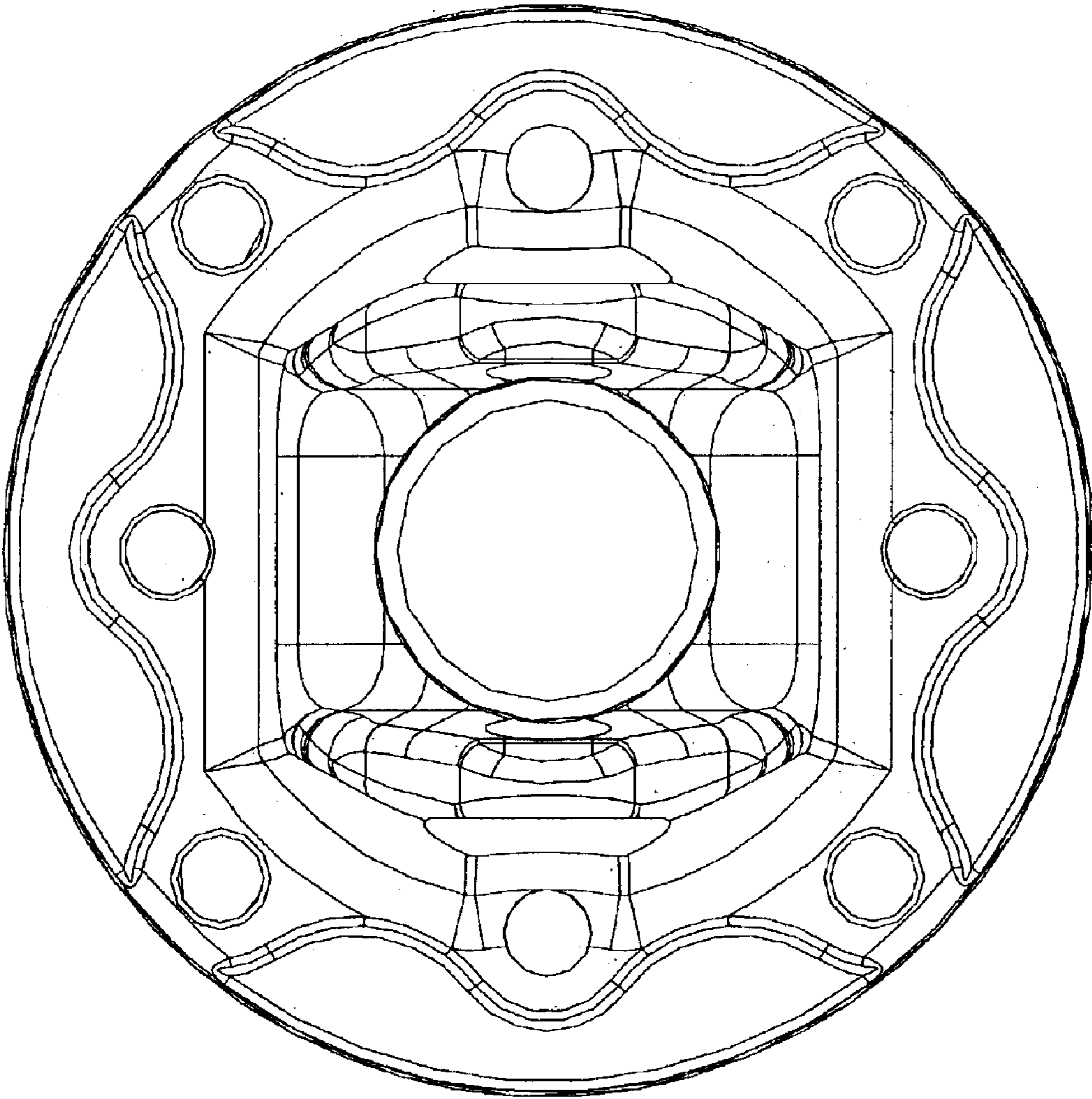


FIG. 7

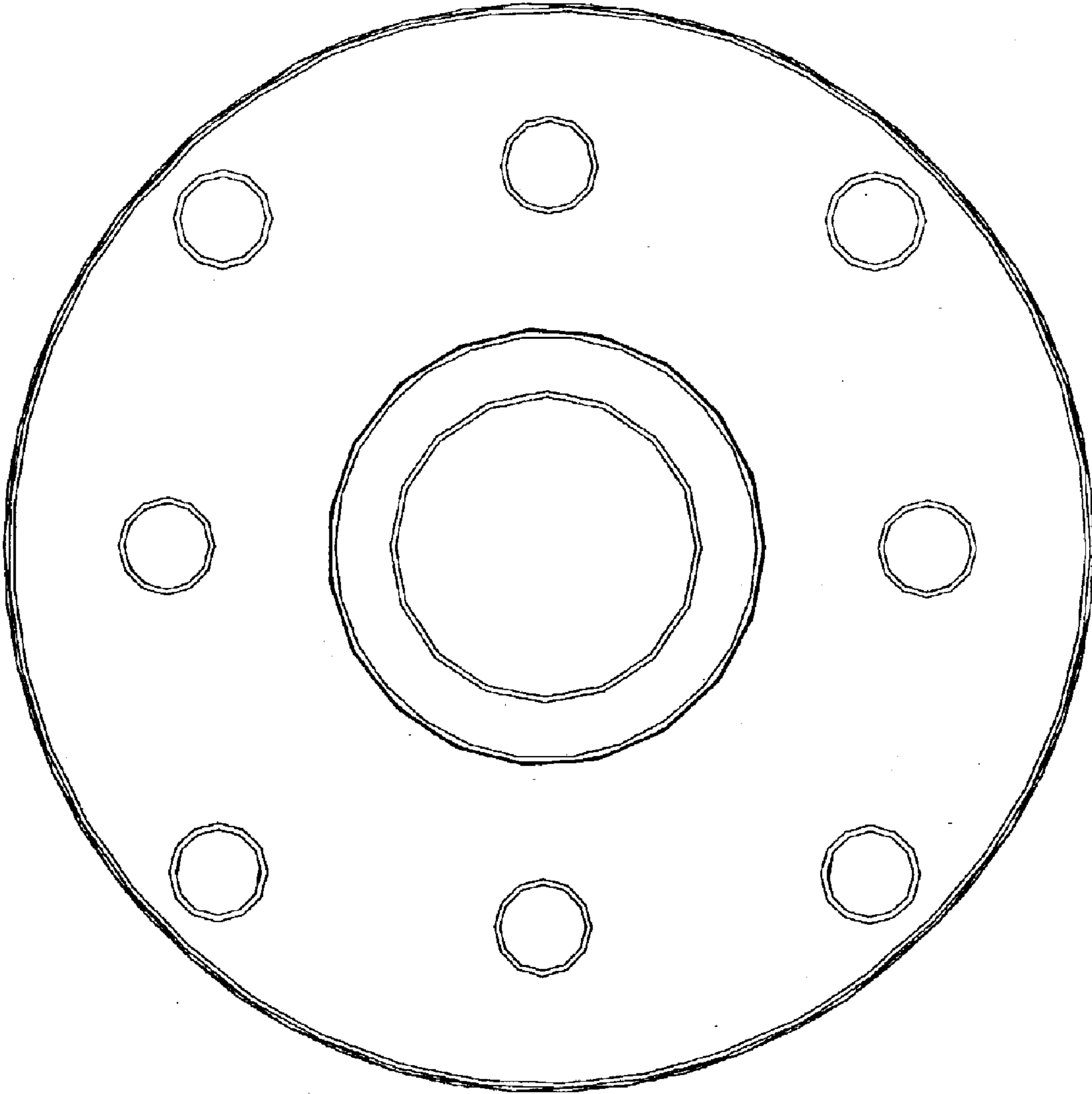


FIG. 8