

US00D504047S

(12) **United States Design Patent**
Schmidt et al.

(10) **Patent No.:** **US D504,047 S**
(45) **Date of Patent:** **** Apr. 19, 2005**

(54) **COOKING APPLIANCE**
(75) Inventors: **George Schmidt**, Douglaston, NY
(US); **Patricia James**, New York, NY
(US)
(73) Assignee: **GT Merchandising & Licensing LLC**,
New York, NY (US)
(**) Term: **14 Years**
(21) Appl. No.: **29/195,837**

6,130,411 A 10/2000 Rockenfeller et al.
6,130,416 A 10/2000 Gabbai
6,150,635 A 11/2000 Hannon et al.
D445,630 S 7/2001 Hsu
D446,679 S 8/2001 Lin
6,269,738 B1 8/2001 Huang
6,276,263 B1 8/2001 Huang
D453,658 S 2/2002 Brady et al.
6,393,970 B1 5/2002 Wu
6,412,400 B1 7/2002 Gambino et al.
6,429,409 B1 8/2002 Siu
6,487,963 B1 12/2002 Wu
D473,417 S 4/2003 Martres

(22) Filed: **Dec. 16, 2003**

FOREIGN PATENT DOCUMENTS

(51) **LOC (7) Cl.** **07-02**
(52) **U.S. Cl.** **D7/352**
(58) **Field of Search** D7/323, 328-330,
D7/352-361, 409-411; 99/331, 332, 340,
372-379, 385-402; 219/386, 450.1, 472,
524, 525

AU B-48504/97 6/1998
DE 26 23 294 A1 12/1977
GB 0 187 492 A1 7/1986

* cited by examiner

Primary Examiner—Caron D. Veynar
(74) *Attorney, Agent, or Firm*—Schweitzer Cornman Gross
& Bondell LLP

(56) **References Cited**

U.S. PATENT DOCUMENTS

D102,775 S * 1/1937 Anderson D7/352
2,314,872 A 3/1943 Dickey
3,068,778 A 12/1962 Majerus
3,978,238 A 8/1976 Frey et al.
4,091,720 A 5/1978 Wheeler
4,987,827 A 1/1991 Marquez
5,129,313 A 7/1992 Coppier
5,253,565 A 10/1993 Burton
D347,548 S * 6/1994 Boehm et al. D7/352
5,380,986 A 1/1995 Mullen
D367,993 S 3/1996 McClean
5,606,905 A 3/1997 Boehm et al.
5,615,604 A 4/1997 Chenglin
5,845,562 A 12/1998 Deni et al.

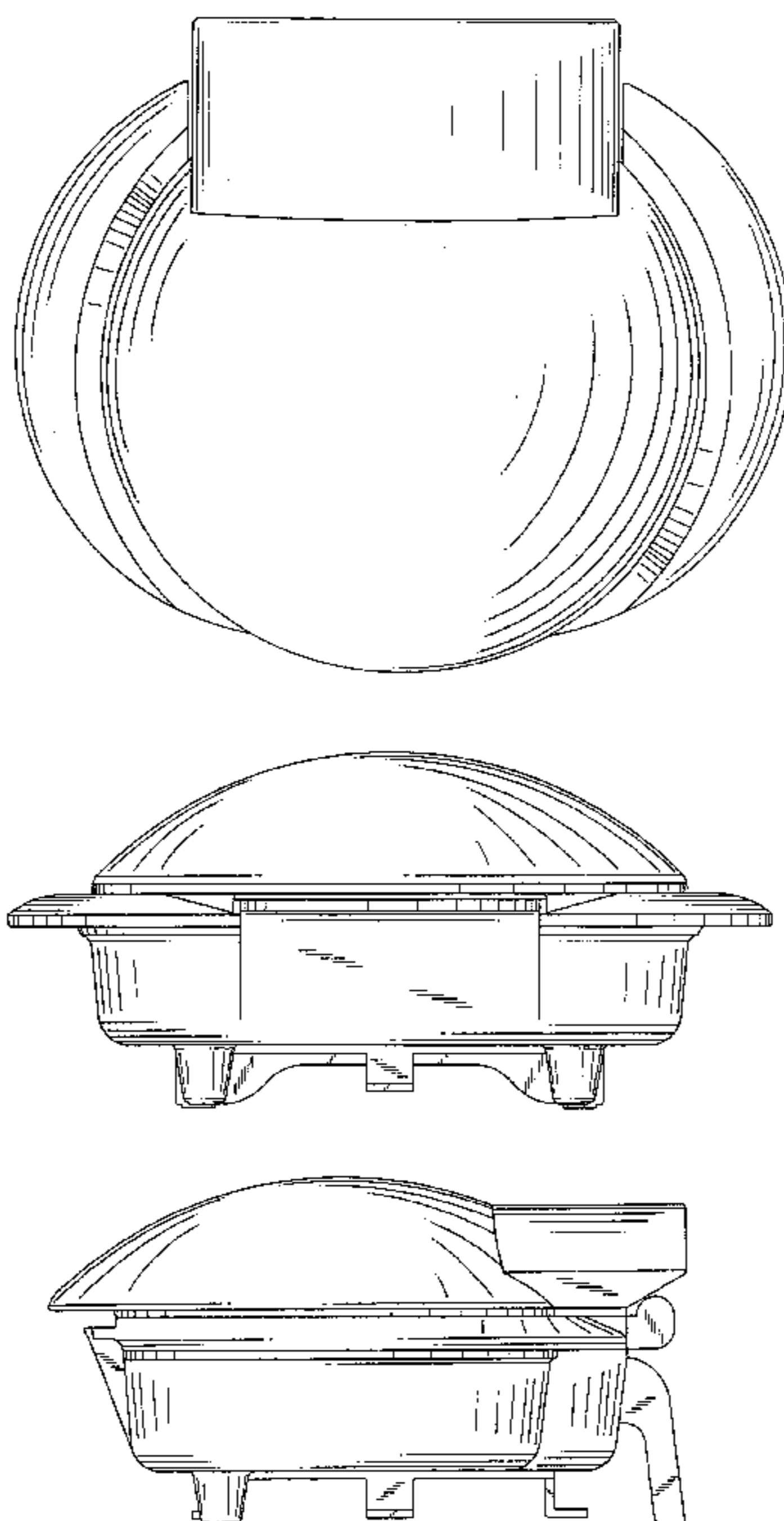
(57) **CLAIM**

The ornamental design for a cooking appliance, as shown
and described.

DESCRIPTION

FIG. 1 is a top plan view;
FIG. 2 is a front elevation view;
FIG. 3 is a side elevation view, the other side being a mirror
image; and,
FIG. 4 is a rear elevation view.
The bottom forms no part of the claimed design.

1 Claim, 4 Drawing Sheets



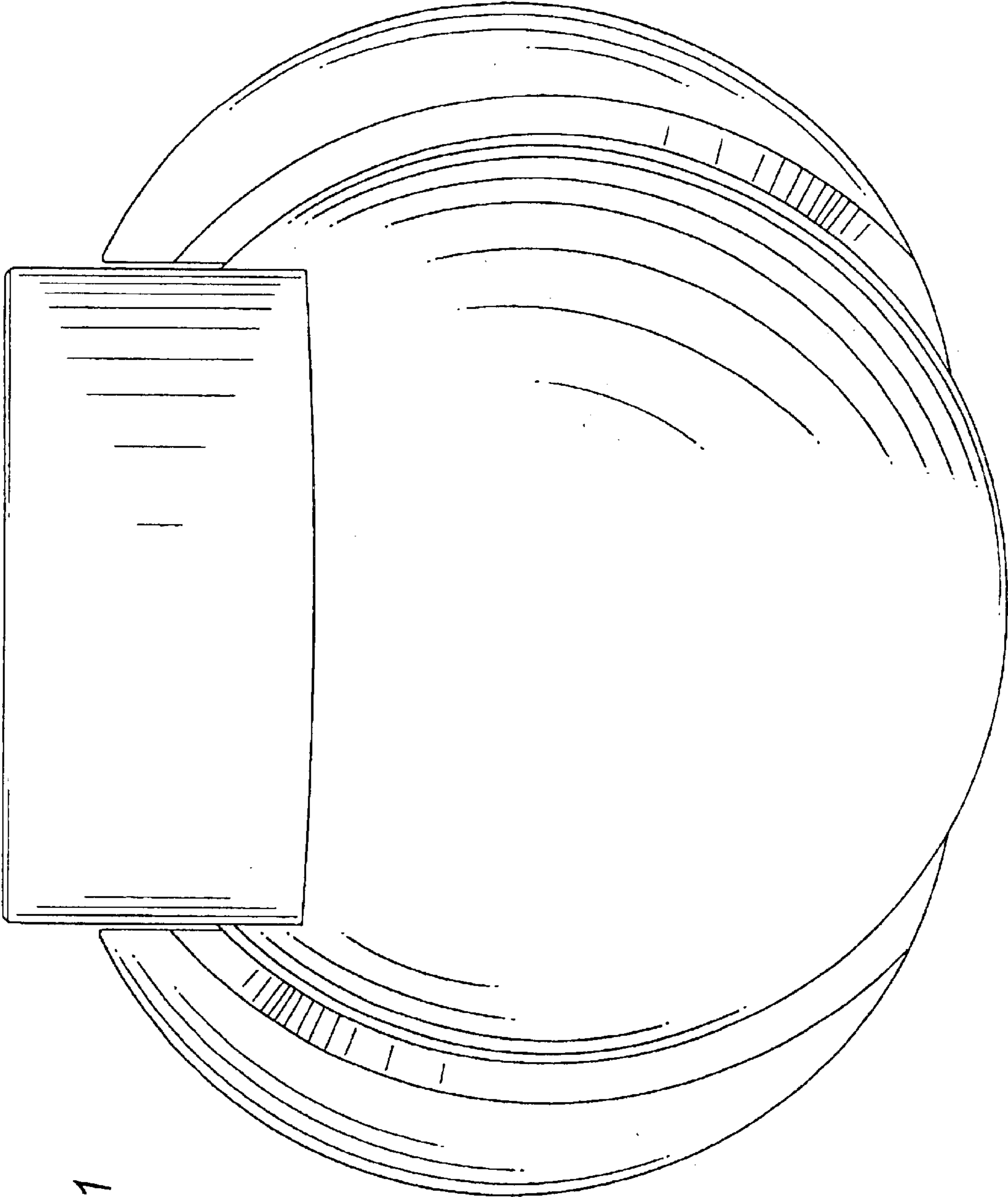
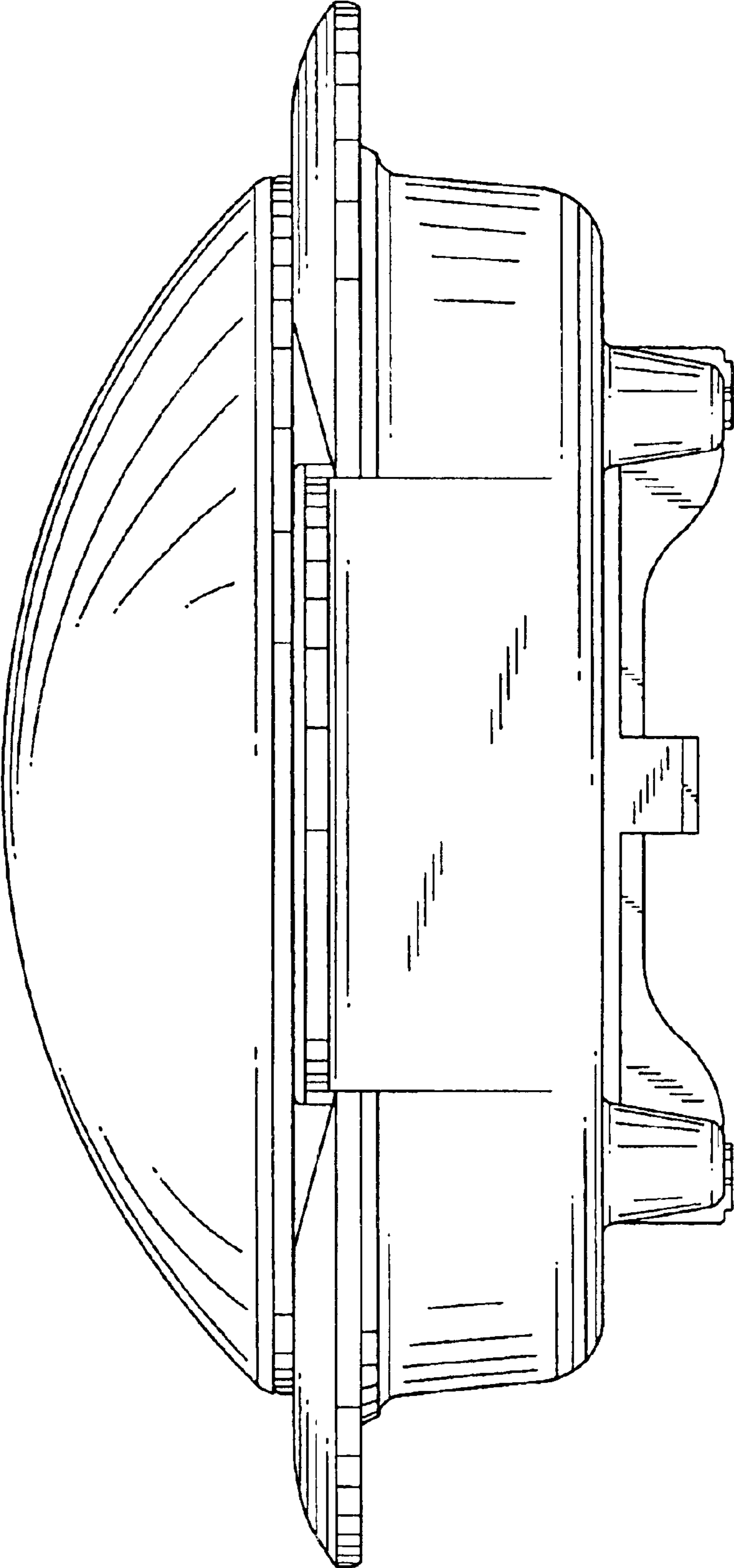


FIG. 1

FIG. 2



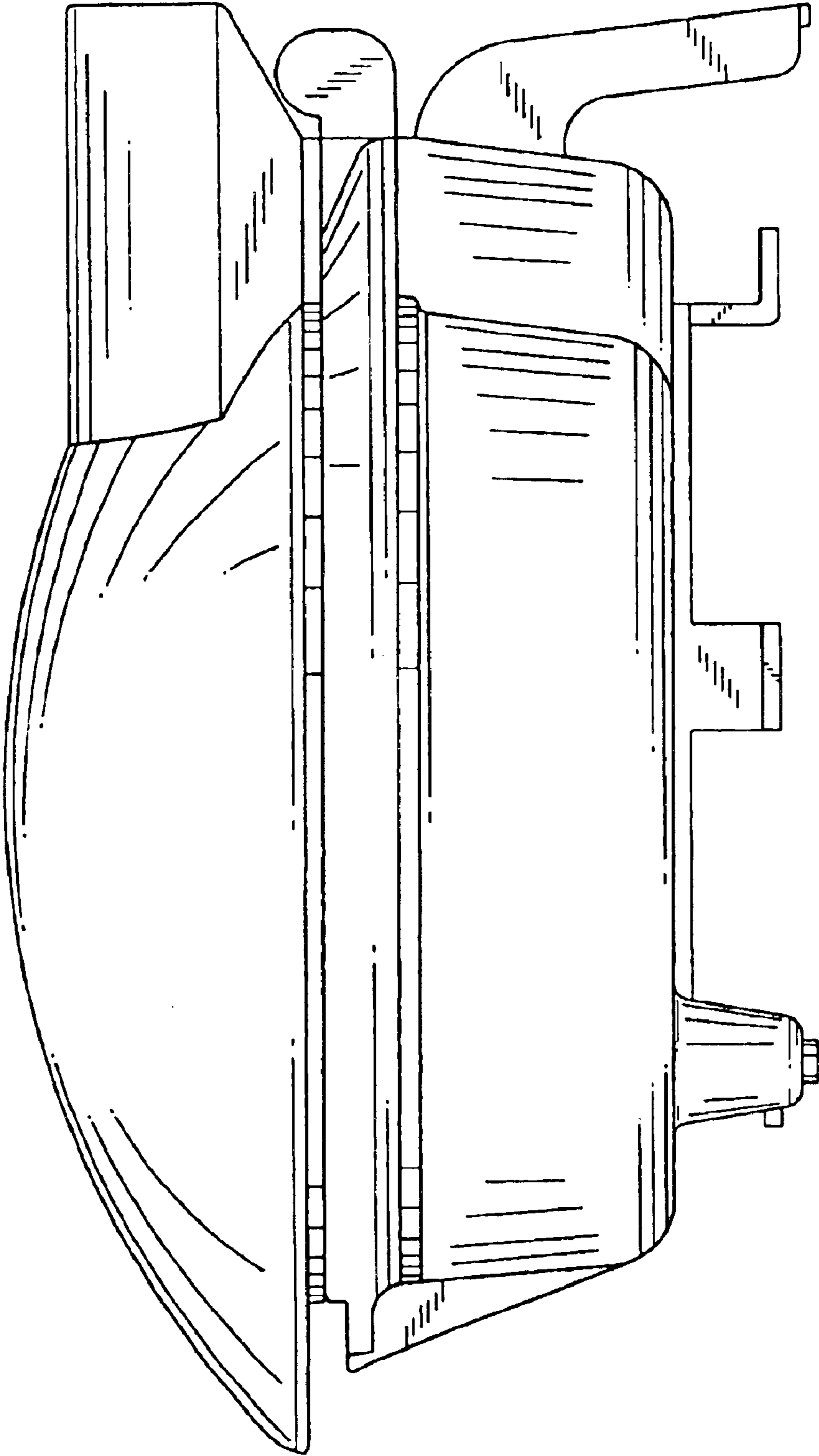


FIG. 3

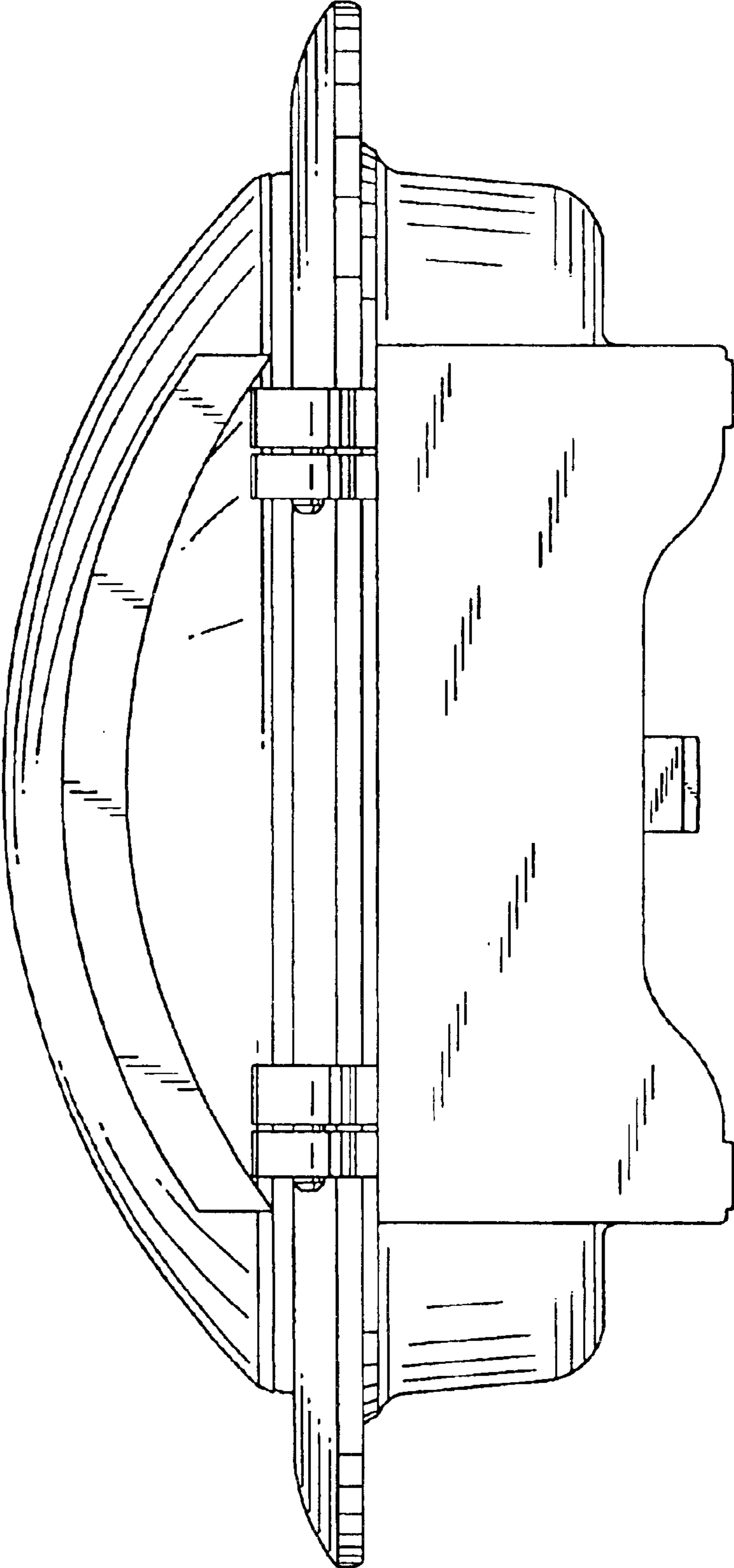


FIG. 4