

US00D504046S

(12) **United States Design Patent**  
**Fuentes**

(10) **Patent No.:** **US D504,046 S**  
(45) **Date of Patent:** **\*\* Apr. 19, 2005**

- (54) **ESPRESSO MACHINE**
- (76) **Inventor:** **Pedro Fuentes**, 9935 SW. 49th St.,  
Miami, FL (US) 33152
- (\*\*) **Term:** **14 Years**
- (21) **Appl. No.:** **29/202,842**
- (22) **Filed:** **Apr. 6, 2004**
- (51) **LOC (7) Cl.** ..... **07-01**
- (52) **U.S. Cl.** ..... **D7/318; D7/316**
- (58) **Field of Search** ..... **D7/300, 312.316-319,**  
**D7/305, 309, 310; 99/279, 293, 306, 282,**  
**303, 299, 305, 323.3; 219/441, 432; 222/146.6,**  
**144.5, 469**

- 3,757,670 A 9/1973 Laama et al.
- 3,935,804 A \* 2/1976 Perez ..... 99/293
- 4,557,187 A \* 12/1985 DePonti ..... 99/279
- 4,660,486 A 4/1987 Arbter
- D399,384 S \* 10/1998 Ranzoni ..... D7/318
- 5,894,785 A \* 4/1999 Molinari ..... 99/303
- D472,755 S \* 4/2003 Su ..... D7/309
- D484,356 S \* 12/2003 Bodum ..... D7/318

\* cited by examiner

*Primary Examiner*—M. N. Pandozzi

(57) **CLAIM**

The ornamental design for a espresso machine, as shown and described.

**DESCRIPTION**

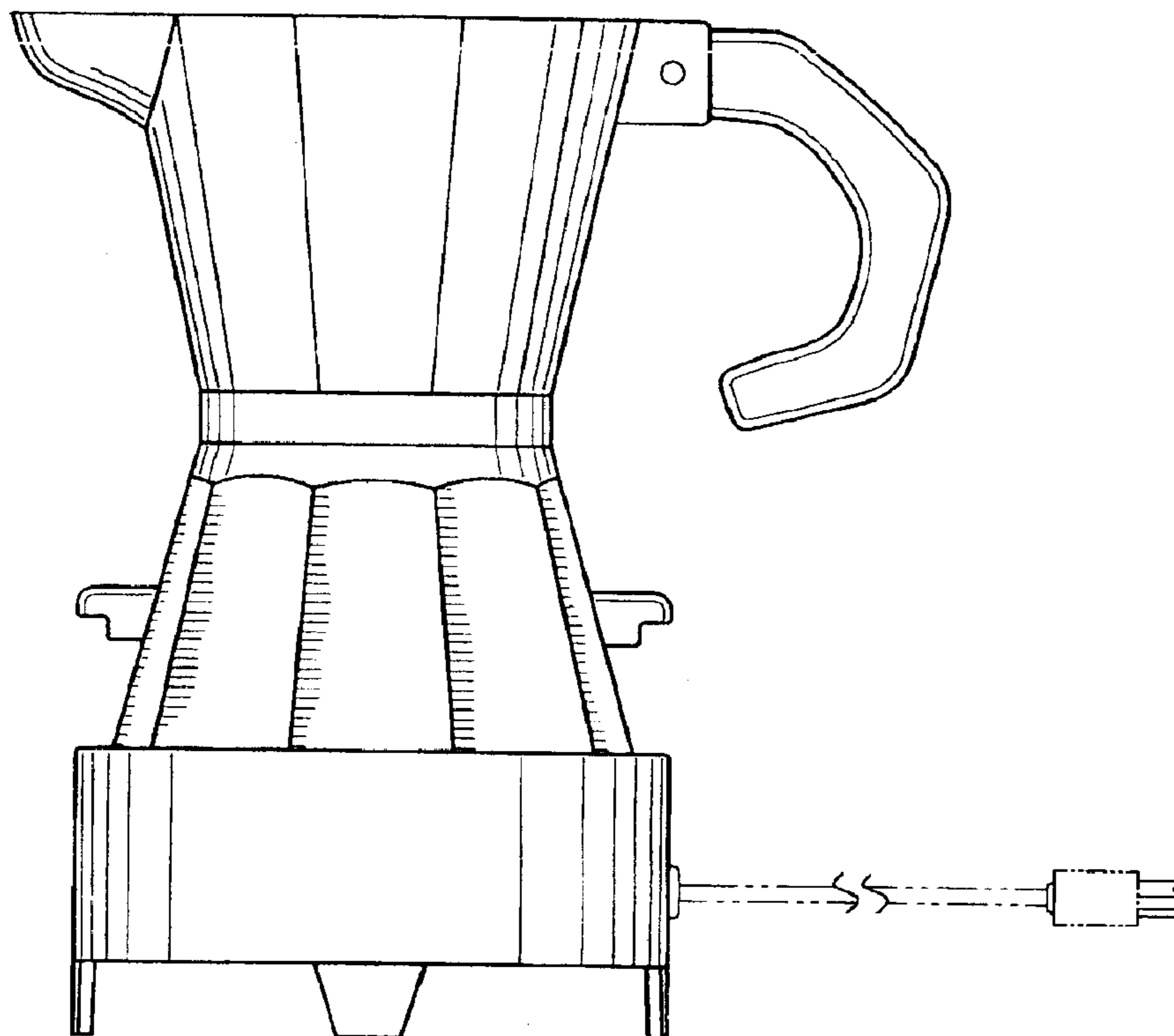
FIG. 1 is a front elevational view of a espresso machine showing my new design, rear elevational view being a mirror image thereof;  
 FIG. 2 is a side view, taken from the left side of FIG. 1;  
 FIG. 3 is a side view, taken from the right side of FIG. 1;  
 FIG. 4 is a top plan view thereof;  
 FIG. 5 is a bottom plan view thereof; and,  
 FIG. 6 is a perspective view thereof.  
 The dotted line showing a power cord in FIGS. 1 and 3-6 is for illustrative purposes only and forms no part of my design.

(56) **References Cited**

**U.S. PATENT DOCUMENTS**

- 2,688,911 A 9/1954 Hochmayr
- 2,856,843 A \* 10/1958 Miklas ..... 99/282
- D185,417 S \* 6/1959 Douglas ..... D7/316
- D191,590 S \* 10/1961 Schlumbohm ..... D7/312
- D198,703 S \* 7/1964 Douglas ..... D7/310
- 3,174,424 A \* 3/1965 Serio ..... 99/299
- D205,781 S \* 9/1966 Valle et al. .... D7/317
- 3,280,303 A 10/1966 Krauss et al.
- 3,285,158 A 11/1966 Price
- 3,418,916 A \* 12/1968 Peirce ..... 99/305

**1 Claim, 3 Drawing Sheets**



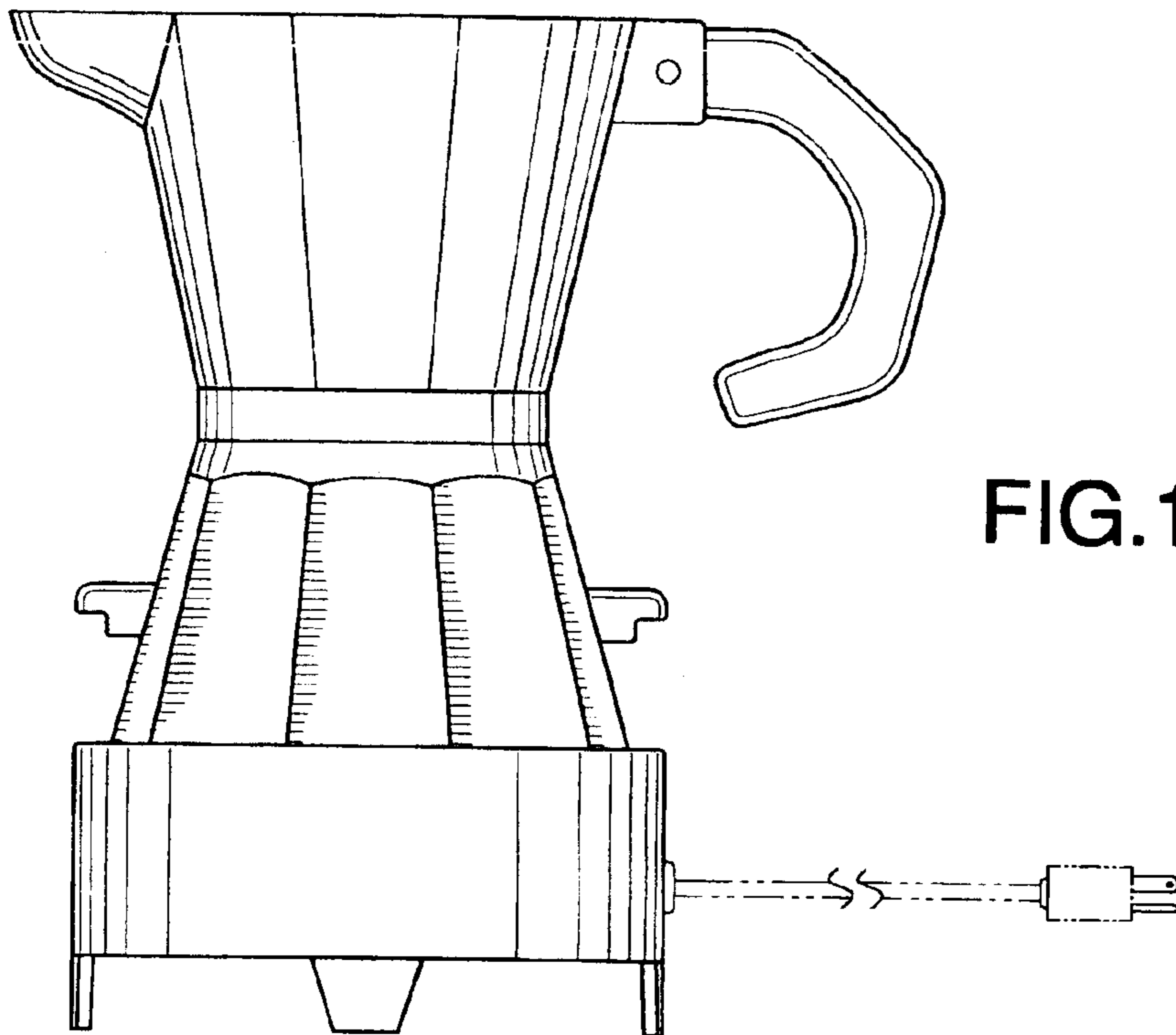
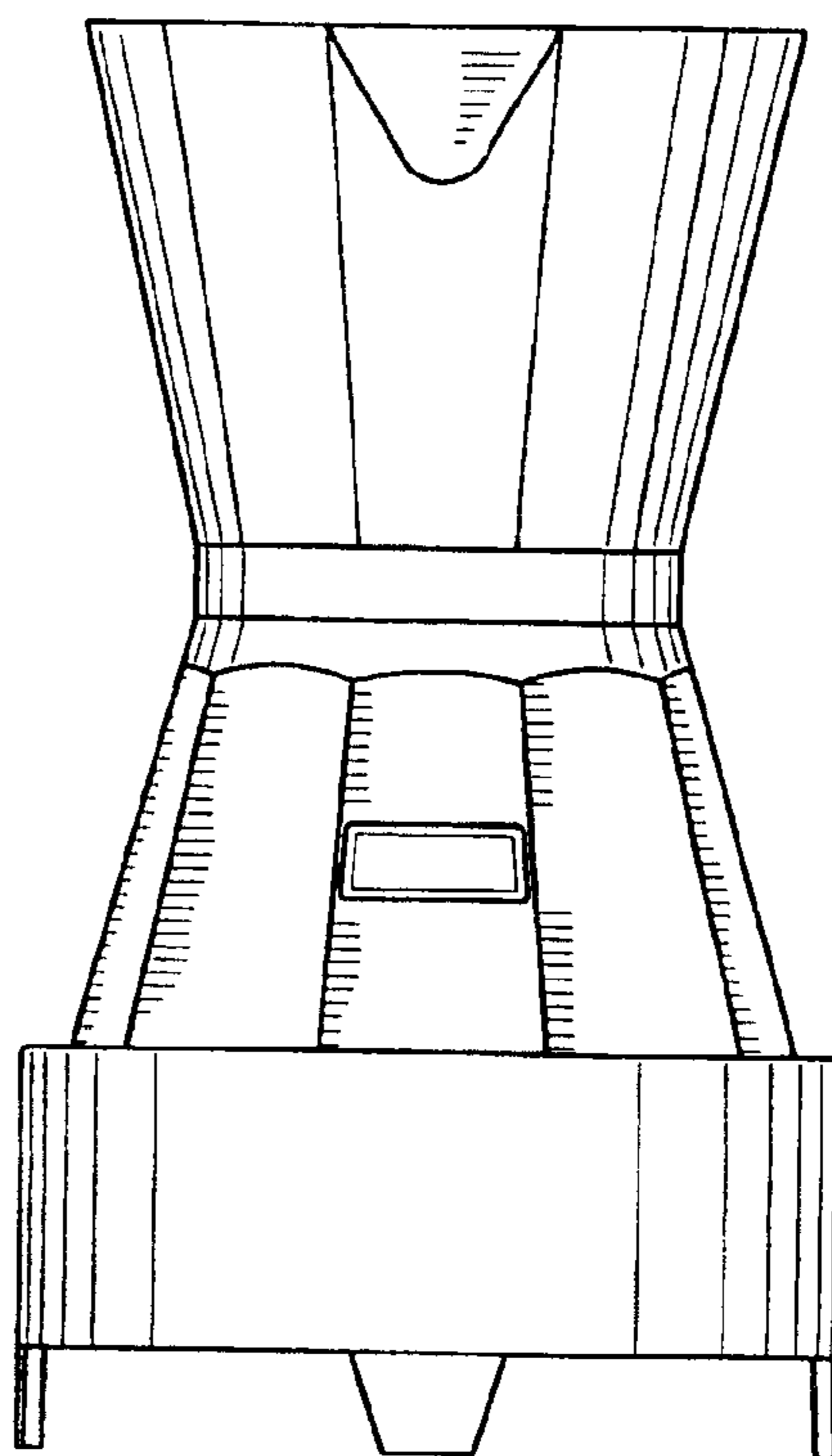


FIG. 1

FIG. 2



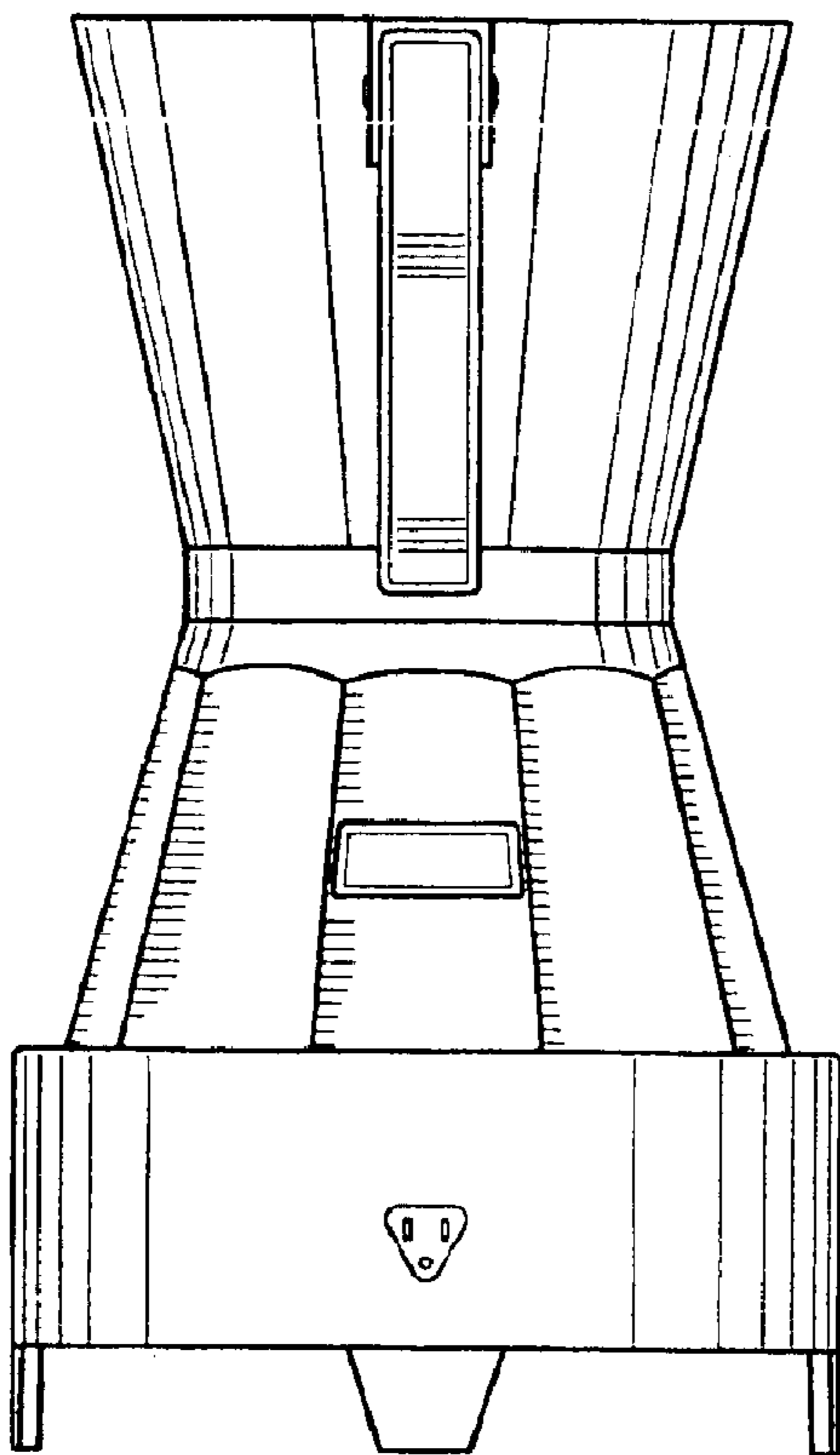


FIG.3

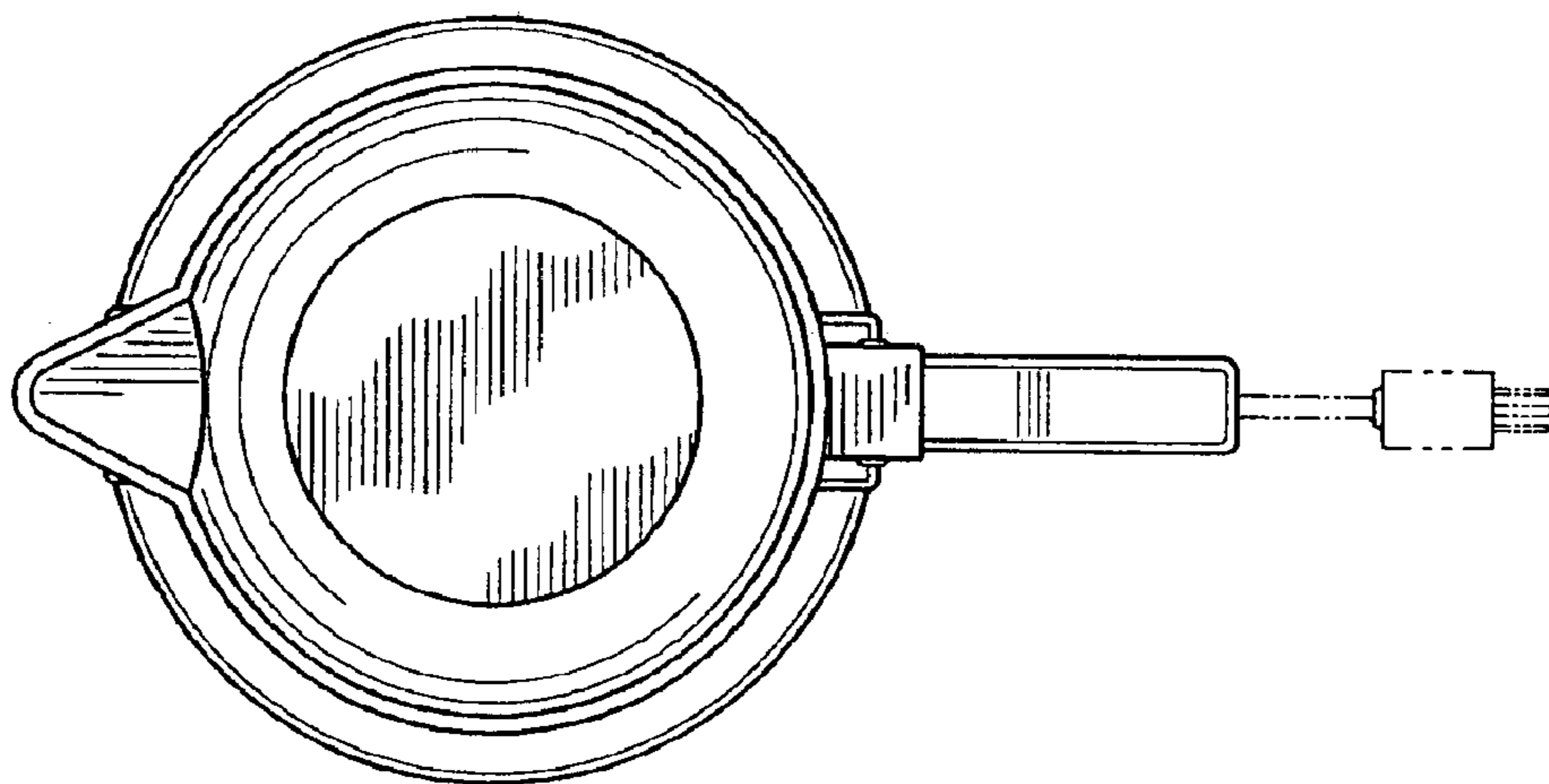


FIG.4

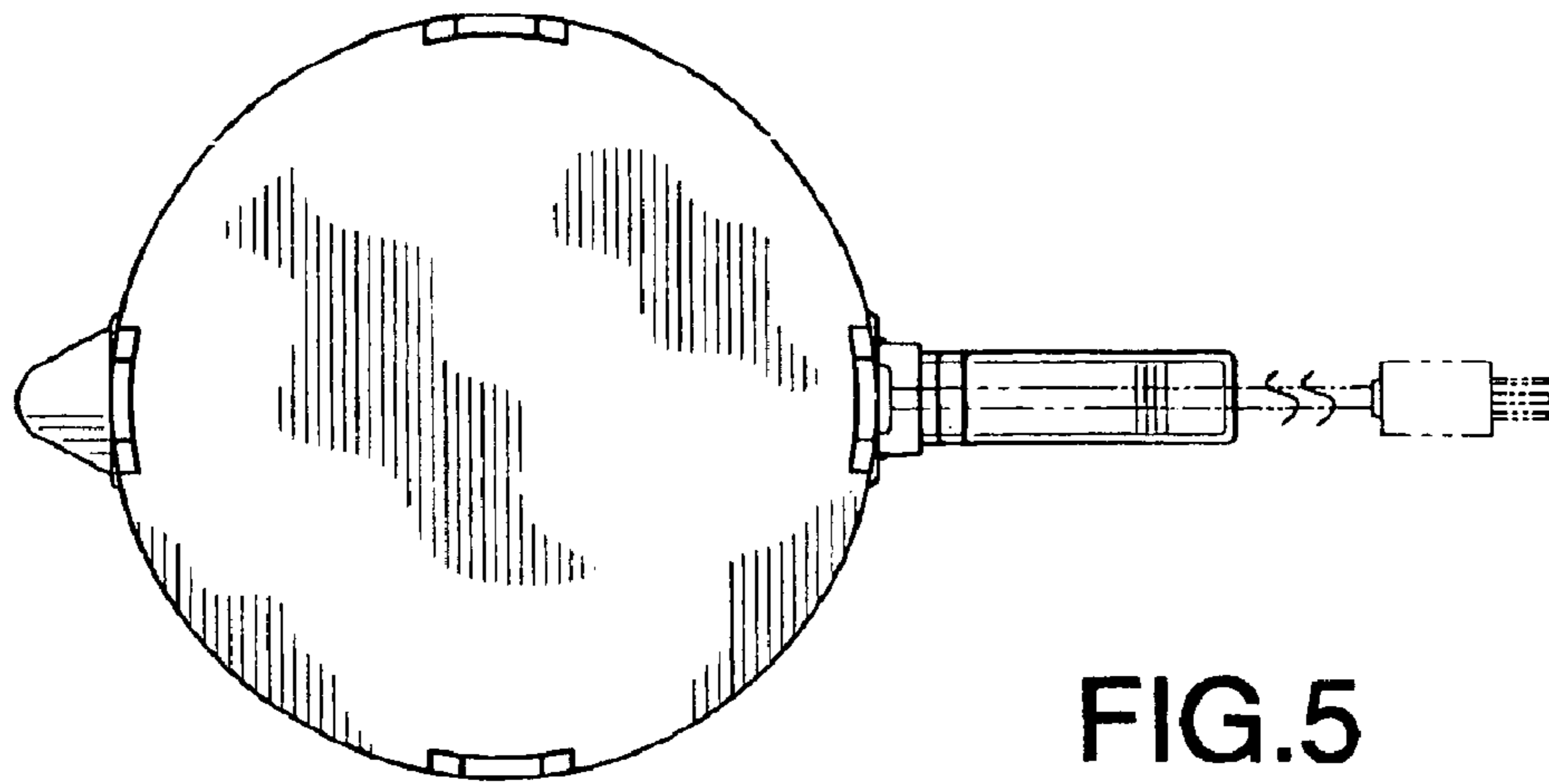


FIG. 5

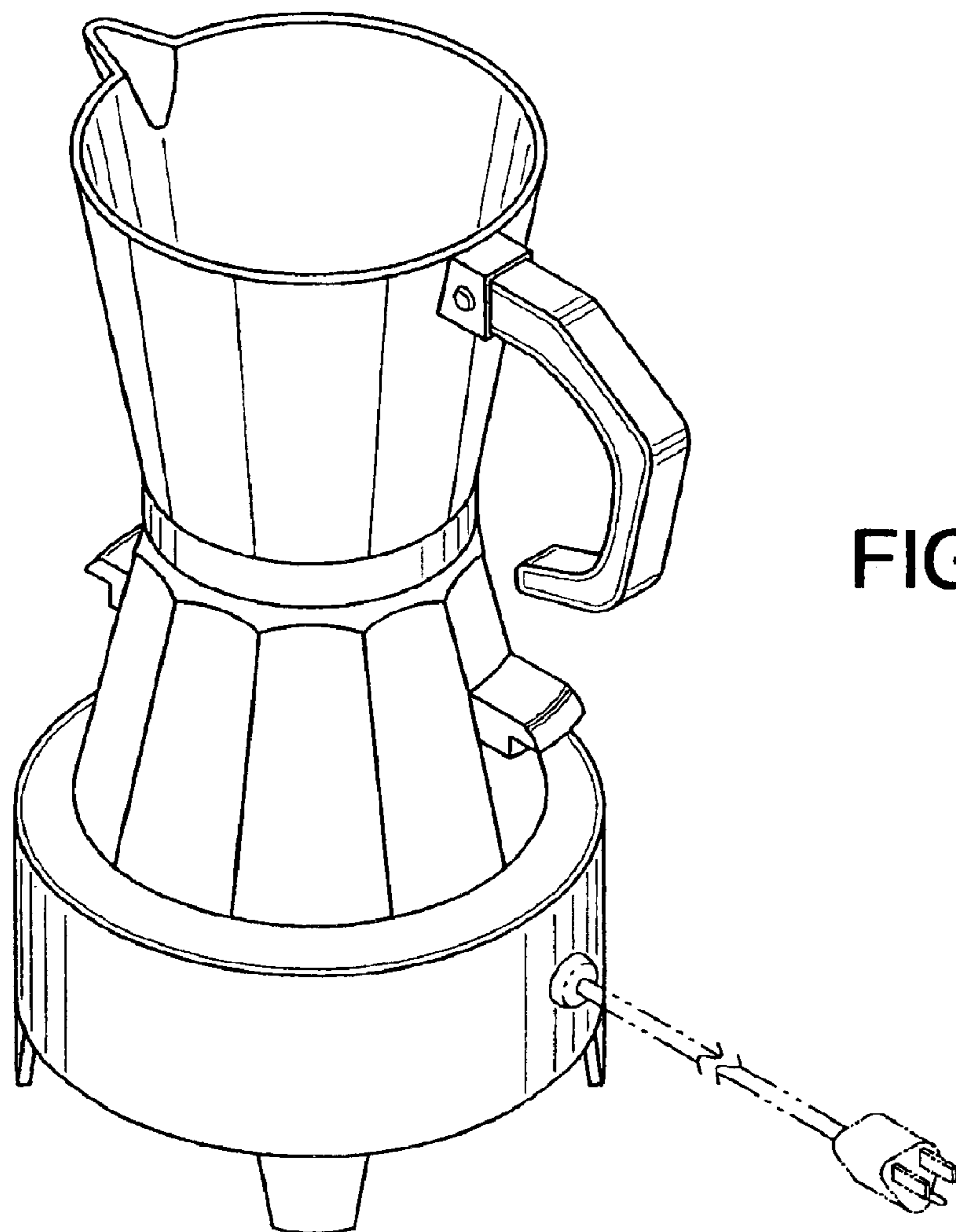


FIG. 6