



US00D504045S

(12) **United States Design Patent**
Rediske

(10) **Patent No.: US D504,045 S**

(45) **Date of Patent: ** Apr. 19, 2005**

(54) **INFLATABLE COMBINATION SEAT
CUSHION AND SNACK TRAY**

5,580,132 A * 12/1996 Rediske 297/452.41
5,598,944 A * 2/1997 Aragona 220/575
D426,097 S * 6/2000 Bortolotto et al. D6/604

(76) Inventor: **Tom Rediske**, 757 S. Ammons Branch
Rd., Marshall, NC (US) 28753

* cited by examiner

(**) Term: **14 Years**

Primary Examiner—Lucy Lieberman

(74) *Attorney, Agent, or Firm*—McHale & Slavin, P.A.

(21) Appl. No.: **29/205,366**

(57) **CLAIM**

(22) Filed: **May 12, 2004**

The ornamental design for an inflatable combination seat cushion and snack tray, as shown and described.

(51) **LOC (7) Cl.** **06-09**

(52) **U.S. Cl.** **D6/601; D6/604; D7/553.8**

(58) **Field of Search** D6/604, 601, 595,
D6/596, 335, 502; D7/553.4–553.8; 220/556;
206/564, 216; 5/630–633, 636–639, 644,
645, 648, 652, 653, 654, 655.3–655.9, 656,
657.5; 297/452.41, 188.1, 219.1, DIG. 1,
DIG. 2, 452.21, 452.22, 452.26

DESCRIPTION

FIG. 1 is a perspective view of an inflatable combination seat cushion and snack tray showing my new design from the top and left side;

FIG. 2 is a top plan view of the inflatable combination seat cushion and snack tray design of FIG. 1;

FIG. 3 is a bottom plan view of the inflatable combination seat cushion and snack tray design of FIG. 1;

FIG. 4 is a side elevation of the inflatable combination seat cushion and snack tray as seen from the left side of FIG. 2;

FIG. 5 is a right side view of the inflatable combination seat cushion and snack tray design of FIG. 1;

FIG. 6 is a rear elevation view of the inflatable combination seat cushion and snack tray design of FIG. 1; and,

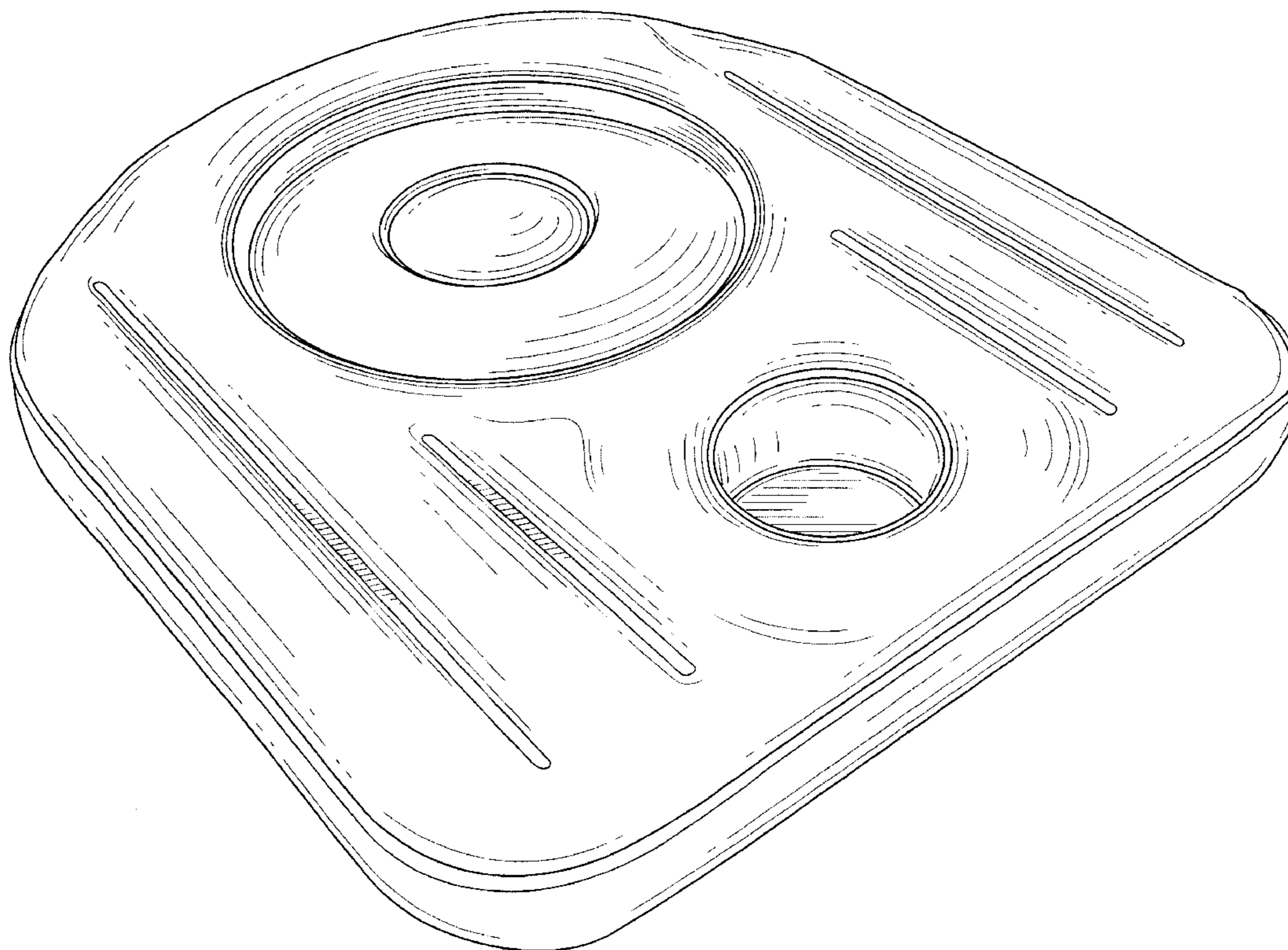
FIG. 7 is a front elevation view of the inflatable combination seat cushion and snack tray design of FIG. 1.

(56) **References Cited**

U.S. PATENT DOCUMENTS

2,659,418 A * 11/1953 Berman 297/DIG. 1
D229,601 S * 12/1973 Bridges D7/553.5
D273,926 S * 5/1984 Byrns et al. D6/335
D320,711 S * 10/1991 Olsen D6/501
5,120,111 A * 6/1992 Cook 297/452.41
D328,402 S * 8/1992 Christensen D6/601
5,527,091 A * 6/1996 Gruber 297/188.01
D372,829 S * 8/1996 Sircy D6/601

1 Claim, 5 Drawing Sheets



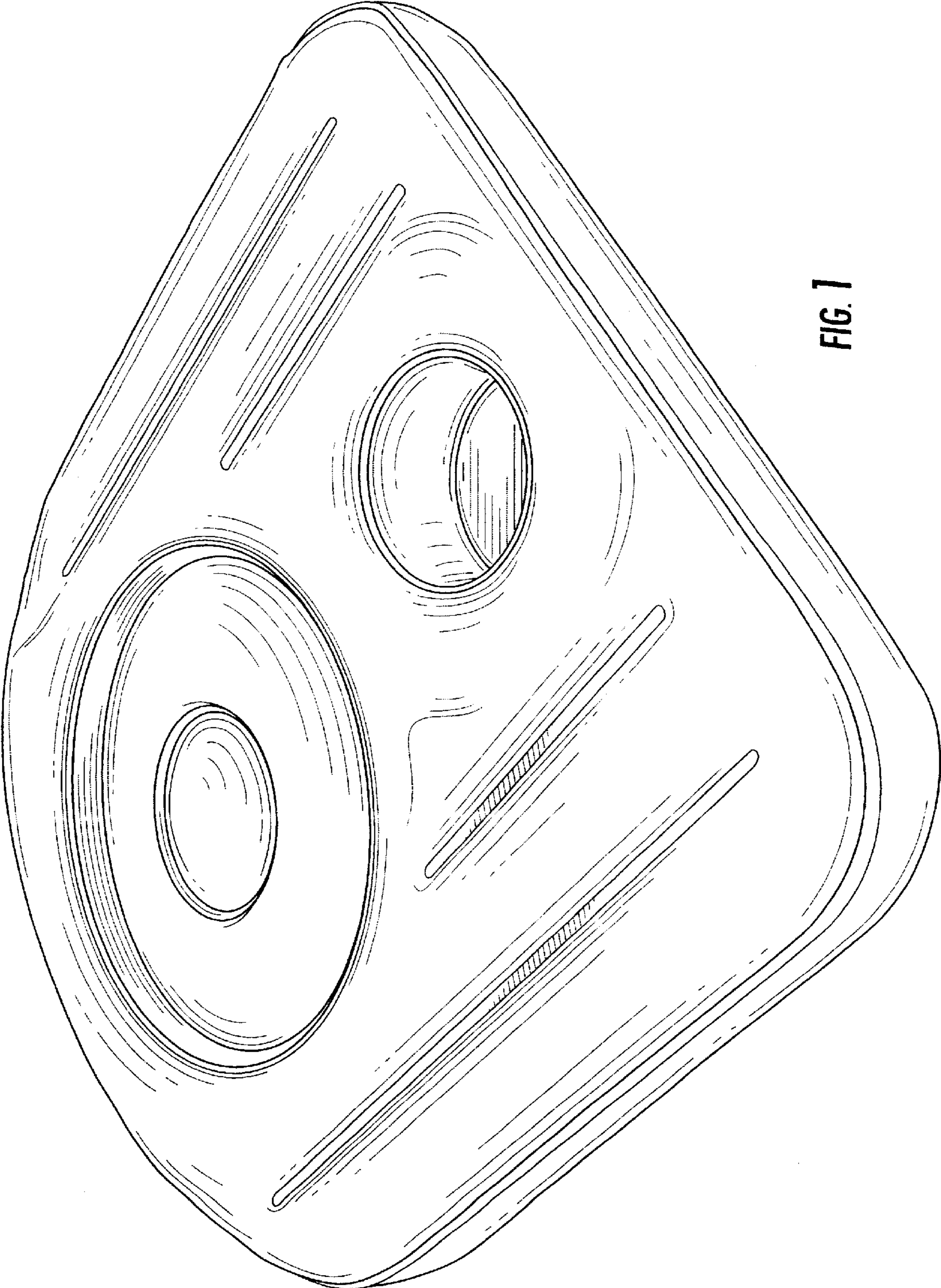


FIG. 1

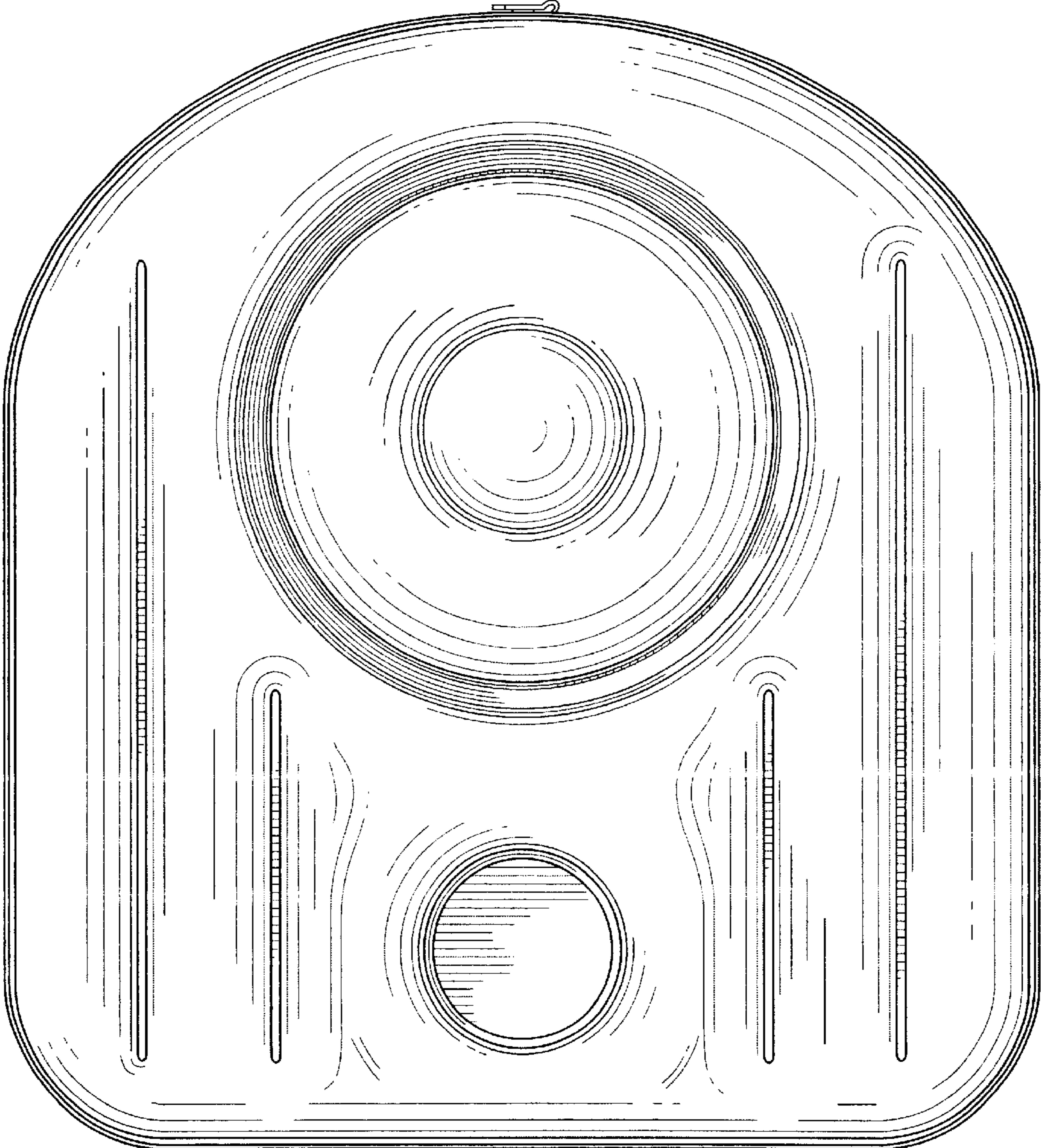


FIG. 2

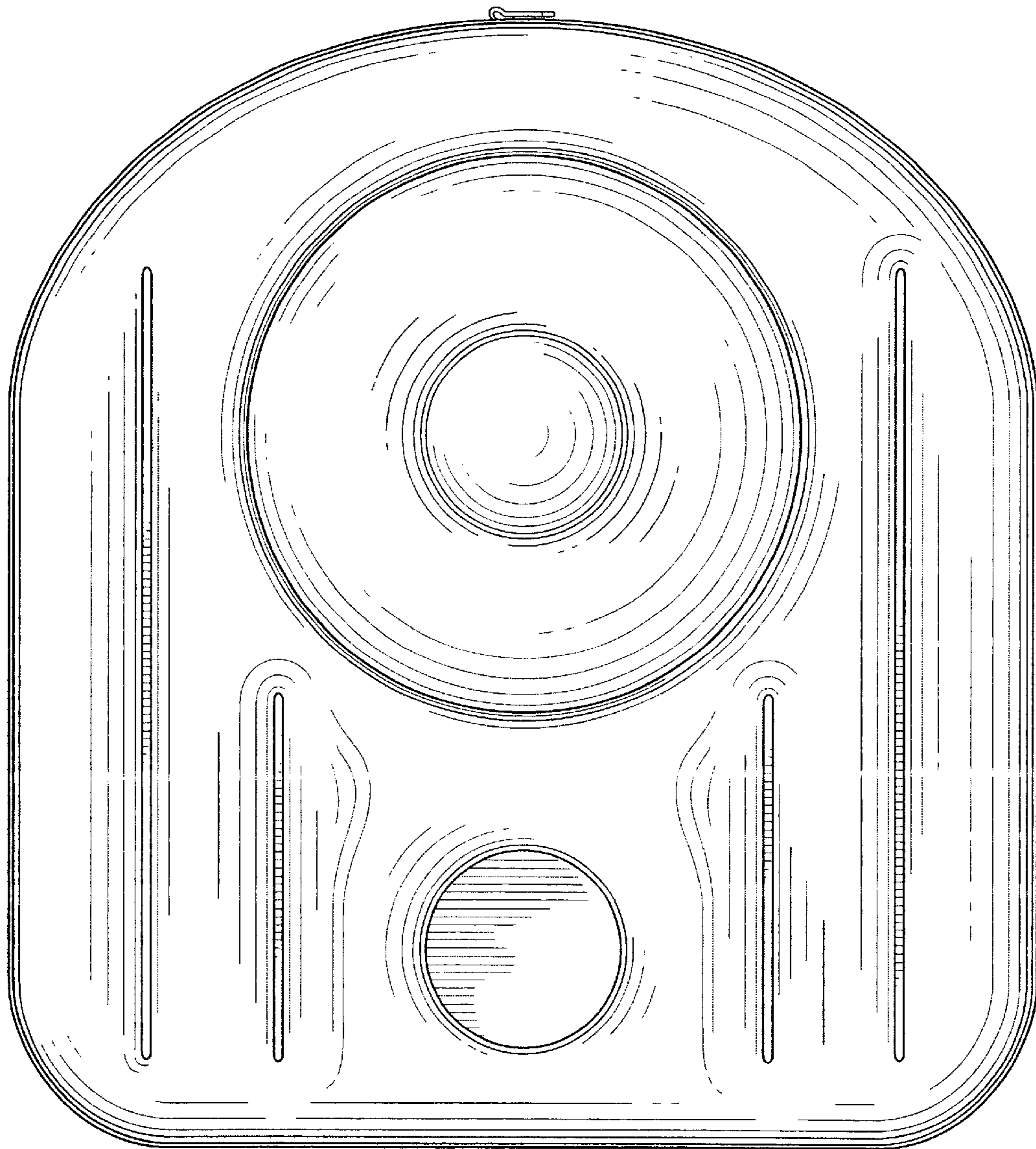


FIG. 3

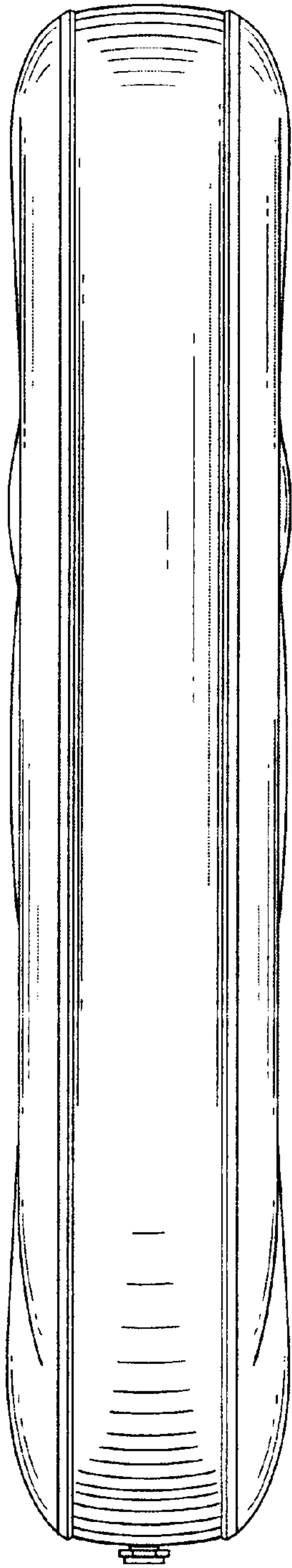


FIG. 4

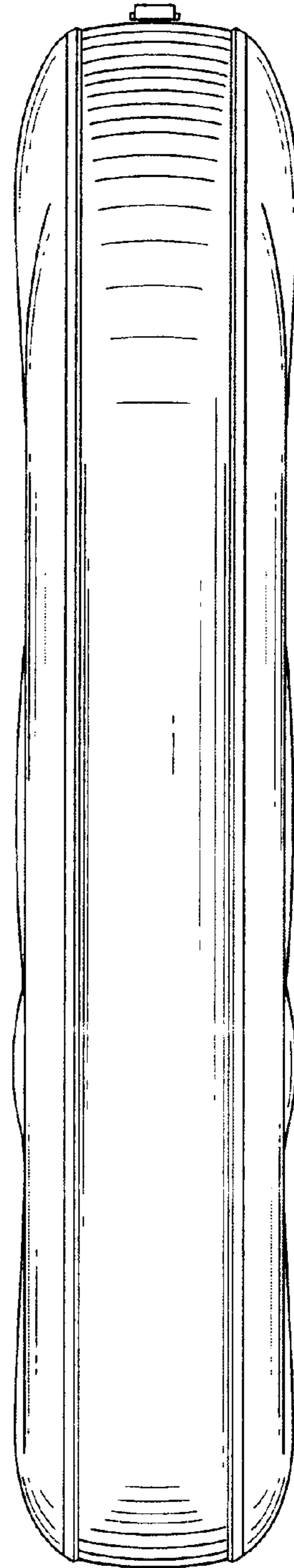


FIG. 5

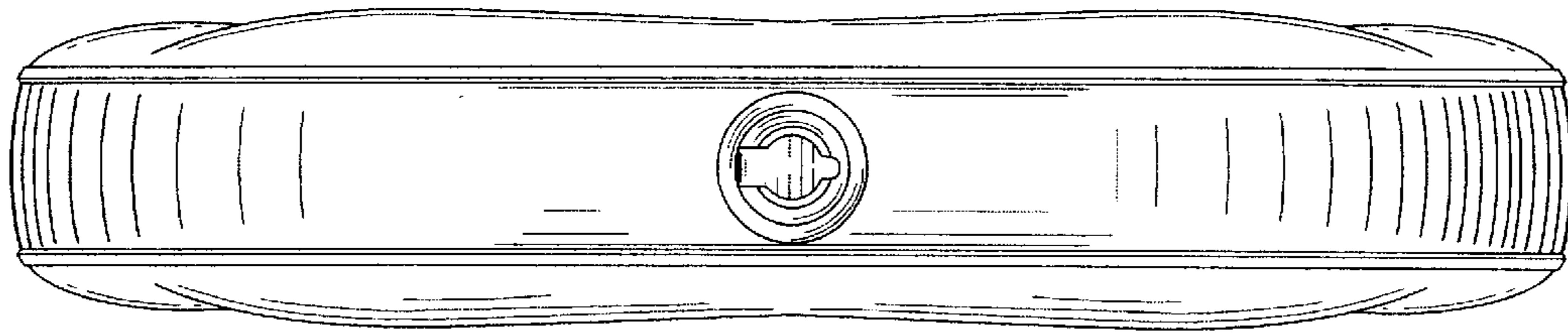


FIG. 6

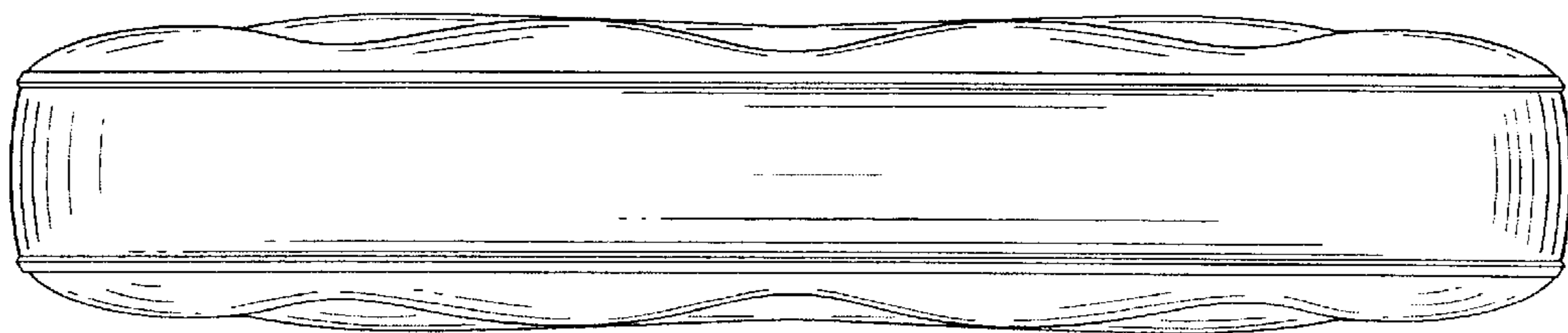


FIG. 7