

US00D504031S

(12) **United States Design Patent** (10) **Patent No.:** **US D504,031 S**
Ricci (45) **Date of Patent:** **** Apr. 19, 2005**

(54) **SEAT**
(75) **Inventor:** **Luca Ricci, Forli (IT)**
(73) **Assignee:** **DeCoro Ltd., Fanling (HK)**
(**) **Term:** **14 Years**

D470,676 S 2/2003 Ricci
D471,026 S 3/2003 Natuzzi et al.
D474,622 S 5/2003 Ricci
D474,906 S 5/2003 Ricci
D474,910 S 5/2003 Ricci
D474,916 S 5/2003 Ricci

(Continued)

(21) **Appl. No.:** **29/197,947**
(22) **Filed:** **Jan. 22, 2004**
(51) **LOC (7) Cl.** **06-01**
(52) **U.S. Cl.** **D6/381; D6/334**
(58) **Field of Search** **D6/334-336, 364,**
D6/371, 381, 500-502; 5/12.1; 297/232,
445.1

OTHER PUBLICATIONS

Furniture Today, p. 163, Sofa by DeCoro, Apr. 1, 2003.*
De Coro Ltd. Sofa Model No. 2041, Apr. 2000, at the
International Home Furnishings Market in High Point, N.C.

(Continued)

Primary Examiner—Gary D. Watson
(74) *Attorney, Agent, or Firm*—Luce, Forward, Hamilton &
Scripps LLP

(56) **References Cited**

(57) **CLAIM**

U.S. PATENT DOCUMENTS

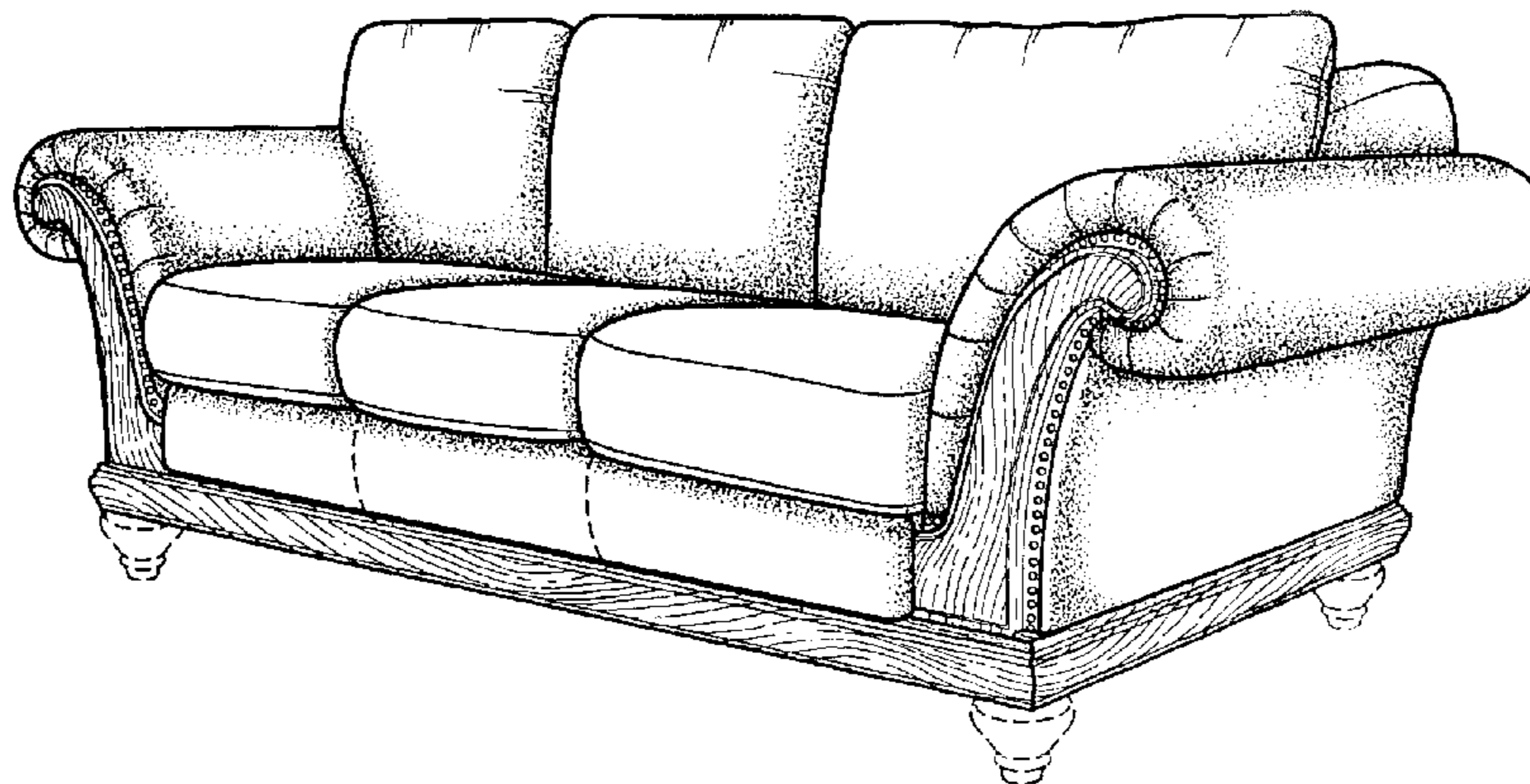
The ornamental design for a seat, as shown and described.

D368,598 S	4/1996	Natuzzi et al.	
D373,484 S	9/1996	Natuzzi et al.	
D374,132 S	10/1996	Peacock	
D380,094 S	6/1997	Chandler	
D381,217 S	7/1997	Chandler	
D381,528 S	* 7/1997	Natuzzi et al. D6/381
D382,416 S	8/1997	Gera	
D384,215 S	9/1997	Chandler	
D388,260 S	12/1997	Natuzzi et al.	
D393,377 S	4/1998	Nicoletti	
D399,362 S	10/1998	Natuzzi et al.	
D399,363 S	10/1998	Natuzzi et al.	
D399,364 S	10/1998	Natuzzi et al.	
D402,482 S	* 12/1998	Gibson D6/381
D403,173 S	12/1998	Ferguson et al.	
D415,628 S	10/1999	Lewis	
D428,725 S	8/2000	Lee	
D430,411 S	9/2000	Zaidman	
D430,422 S	* 9/2000	Natuzzi et al. D6/381
D431,924 S	10/2000	Natuzzi et al.	
D434,244 S	* 11/2000	Natuzzi et al. D6/381
D444,310 S	7/2001	Lee	
D447,883 S	9/2001	Meier et al.	
D448,198 S	9/2001	Natuzzi et al.	
D451,695 S	12/2001	Vanderbloemen	
D466,715 S	12/2002	Gibson	
D470,326 S	2/2003	Ricci	

DESCRIPTION

FIG. 1 is a front perspective view of one embodiment of my new seat design in the form of a sofa;
FIG. 2 is an enlarged front perspective view of a portion of the embodiment of FIG. 1;
FIG. 3 is a front elevation view of the embodiment of FIG. 1;
FIG. 4 is a left, side elevation view of the embodiment of FIG. 1, with the right side elevational view being a mirror image thereof;
FIG. 5 is a rear elevation view of the embodiment of FIG. 1;
FIG. 6 is a front perspective view of a second embodiment of my new seat design in the form of a chair;
FIG. 7 is a front elevation view of the embodiment of FIG. 6; and,
FIG. 8 is a rear elevation view of the embodiment of FIG. 6.
The side elevation views of FIGS. 6, 7, and 8 are like that shown in FIG. 4.
The broken line disclosure is for illustrative purposes only and forms no part of the claimed design.

1 Claim, 5 Drawing Sheets



U.S. PATENT DOCUMENTS

D475,217 S	6/2003	Ricci	
D476,498 S	7/2003	Ricci	
D476,501 S	7/2003	Ricci	
D482,891 S	* 12/2003	Ricci	D6/381
D483,196 S	* 12/2003	Ricci	D6/381
D487,643 S	* 3/2004	Natuzzi	D6/381
D489,545 S	* 5/2004	Nastri	D6/381
D490,999 S	* 6/2004	Ricci	D6/381
D491,000 S	* 6/2004	Ricci	D6/381

OTHER PUBLICATIONS

De Coro Ltd. Sofa Model No. 2157, Oct. 2001, at the International Home Furnishings Market in High Point, N.C.
 De Coro Ltd. Sofa Model No. 2162, Oct. 2001, at the International Home Furnishings Market in High Point, N.C.
 De Coro Ltd. Sofa Model No. 2163, Oct. 2001, at the International Home Furnishings Market in High Point, N.C.
 De Coro Ltd. Sofa Model No. 2167, Oct. 2001, at the International Home Furnishings Market in High Point, N.C.
 De Coro Ltd. Sofa Model No. 2196, Apr. 2002, at the International Home Furnishings Market in High Point, N.C.
 De Coro Ltd. Sofa Model No. 2203, Apr. 2002, at the International Home Furnishings Market in High Point, N.C.
 De Coro Ltd. Sofa Model No. 2204, Apr. 2002, at the International Home Furnishings Market in High Point, N.C.
 De Coro Ltd. Sofa Model No. 2205, Apr. 2002, at the International Home Furnishings Market in High Point, N.C.
 De Coro Ltd. Sofa Model No. 2207, Apr. 2002, at the International Home Furnishings Market in High Point, N.C.
 De Coro Ltd. Sofa Model No. 2208, Apr. 2002, at the International Home Furnishings Market in High Point, N.C.
 De Coro Ltd. Sofa Model No. 2212, Apr. 2002, at the International Home Furnishings Market in High Point, N.C.

De Coro Ltd. Sofa Model No. 2214, Apr. 2002, at the International Home Furnishings Market in High Point, N.C.
 De Coro Ltd. Sofa Model No. 2222, Apr. 2002, at the International Home Furnishings Market in High Point, N.C.
 De Coro Ltd. Sofa Model No. 2229, Apr. 2002, at the International Home Furnishings Market in High Point, N.C.
 De Coro Ltd. Sofa Model No. 2230, Apr. 2002, at the International Home Furnishings Market in High Point, N.C.
 De Coro Ltd. Sofa Model No. 2241, Oct. 2002, at the International Home Furnishings Market in High Point, N.C.
 De Coro Ltd. Sofa Model No. 2242, Oct. 2002, at the International Home Furnishings Market in High Point, N.C.
 De Coro Ltd. Sofa Model No. 2260, Oct. 2002, at the International Home Furnishings Market in High Point, N.C.
 De Coro Ltd. Sofa Model No. 2264, Oct. 2002, at the International Home Furnishings Market in High Point, N.C.
 De Coro Ltd. Sofa Model No. 2281, Oct. 2002, at the International Home Furnishings Market in High Point, N.C.
 De Coro Ltd. Sofa Model No. 2282, Oct. 2002, at the International Home Furnishings Market in High Point, N.C.
 De Coro Ltd. Sofa Model No. 2287, Oct. 2002, at the International Home Furnishings Market in High Point, N.C.
 De Coro Ltd. Sofa Model No. 2288, Oct. 2002, at the International Home Furnishings Market in High Point, N.C.
 De Coro Ltd. Chair Model No. 2289, Oct. 2002, at the International Home Furnishings Market in High Point, N.C.
 De Coro Ltd. Sofa Model No. 2303, Oct. 2002, at the International Home Furnishings Market in High Point, N.C.
 De Coro Ltd. Sofa Model No. 2309, Oct. 2002, at the International Home Furnishings Market in High Point, N.C.

* cited by examiner

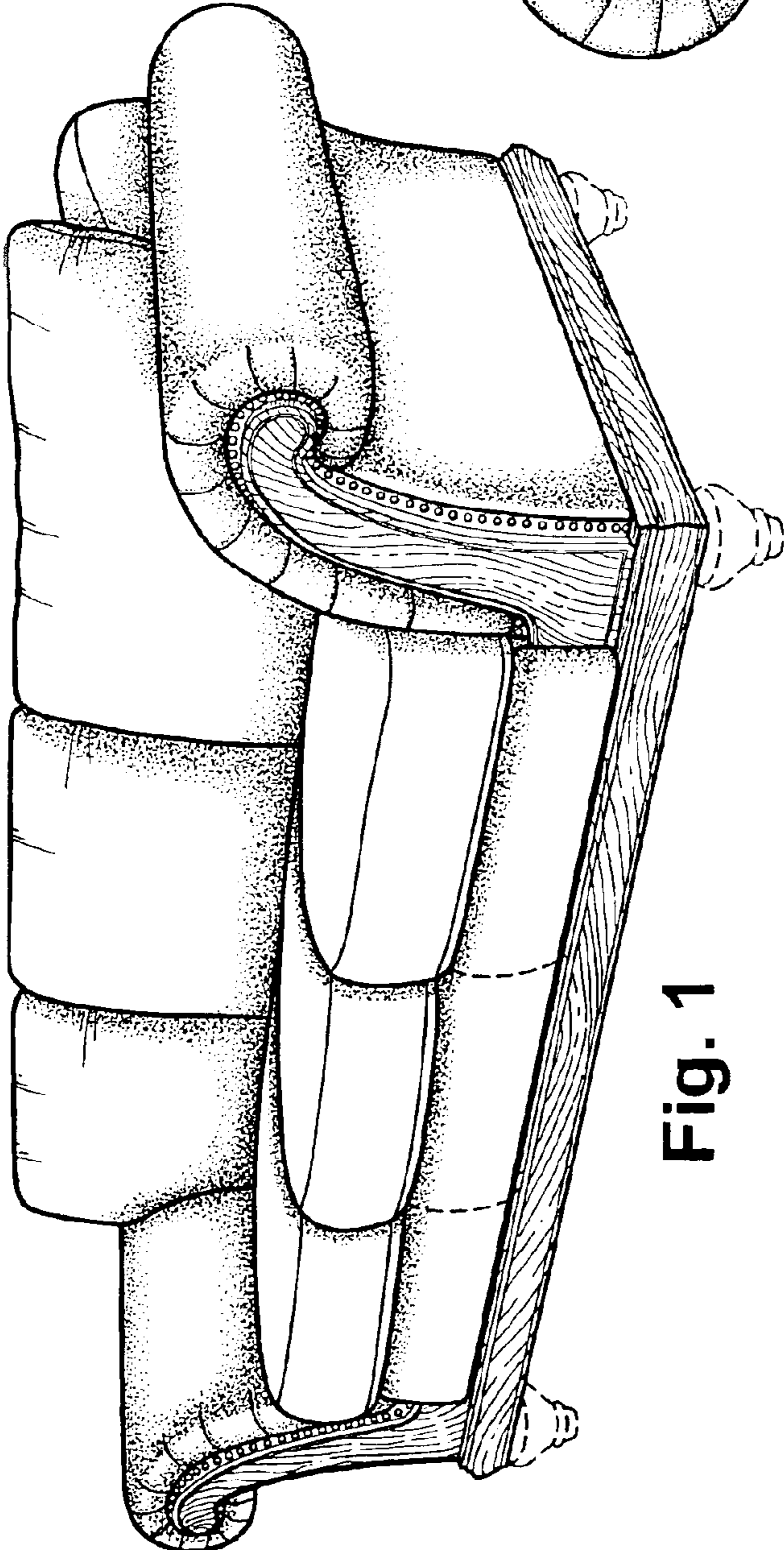


Fig. 1

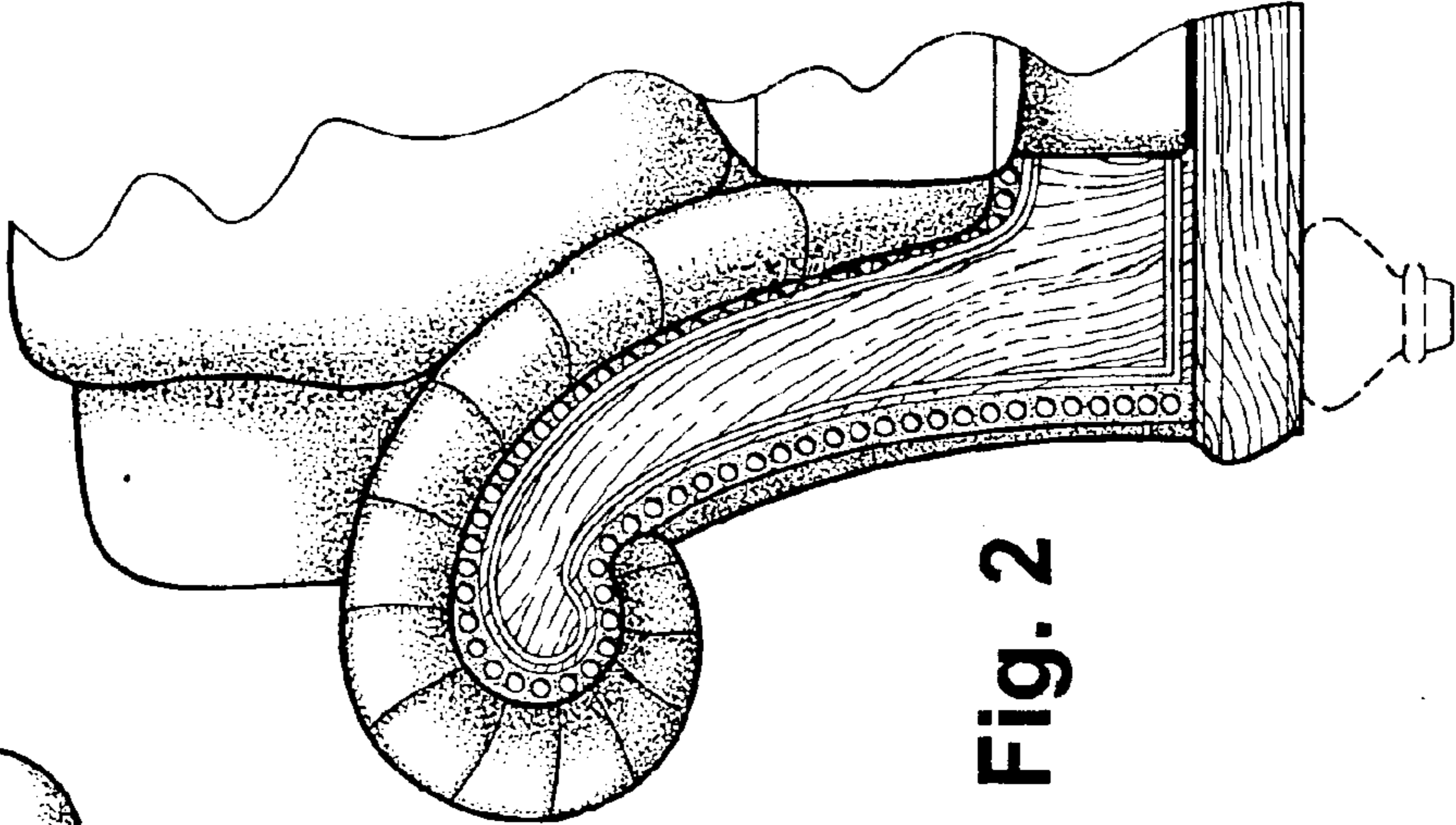


Fig. 2

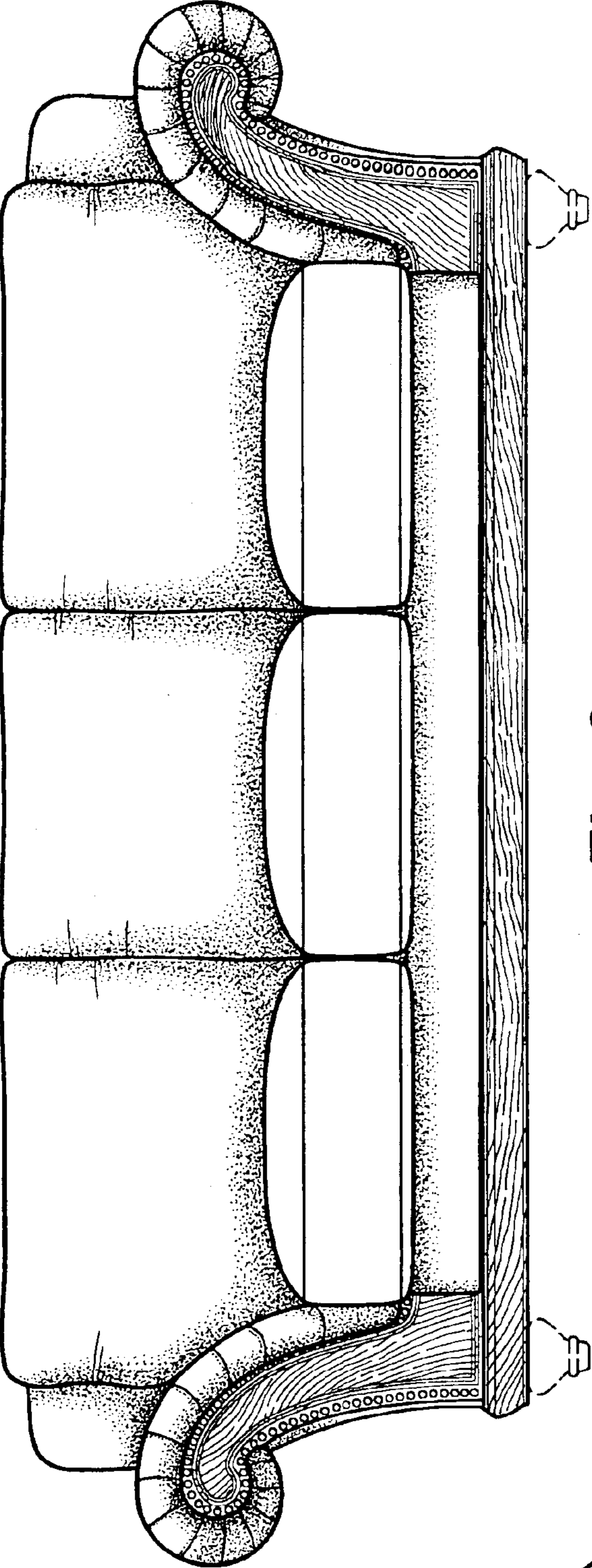


Fig. 3

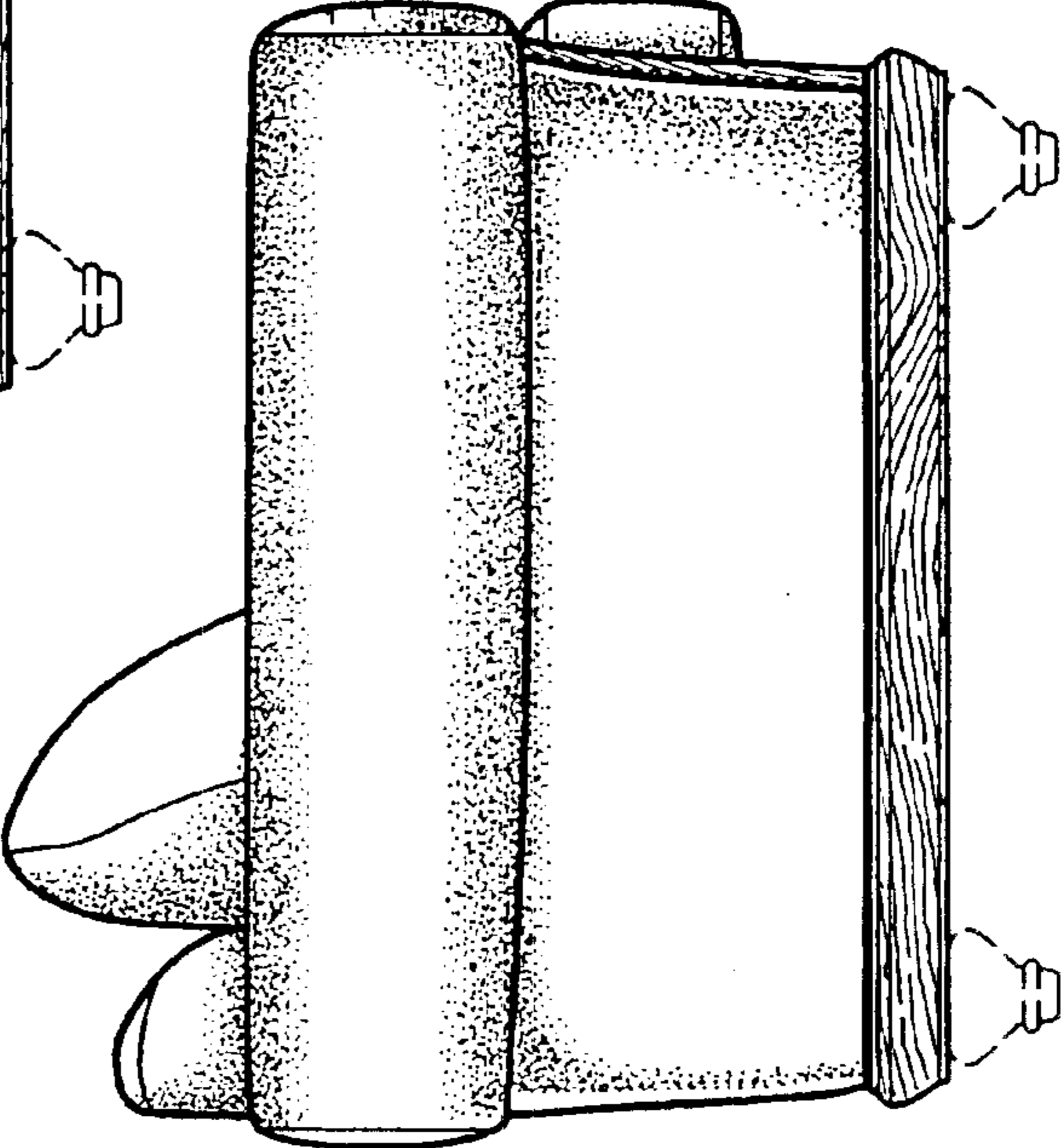


Fig. 4

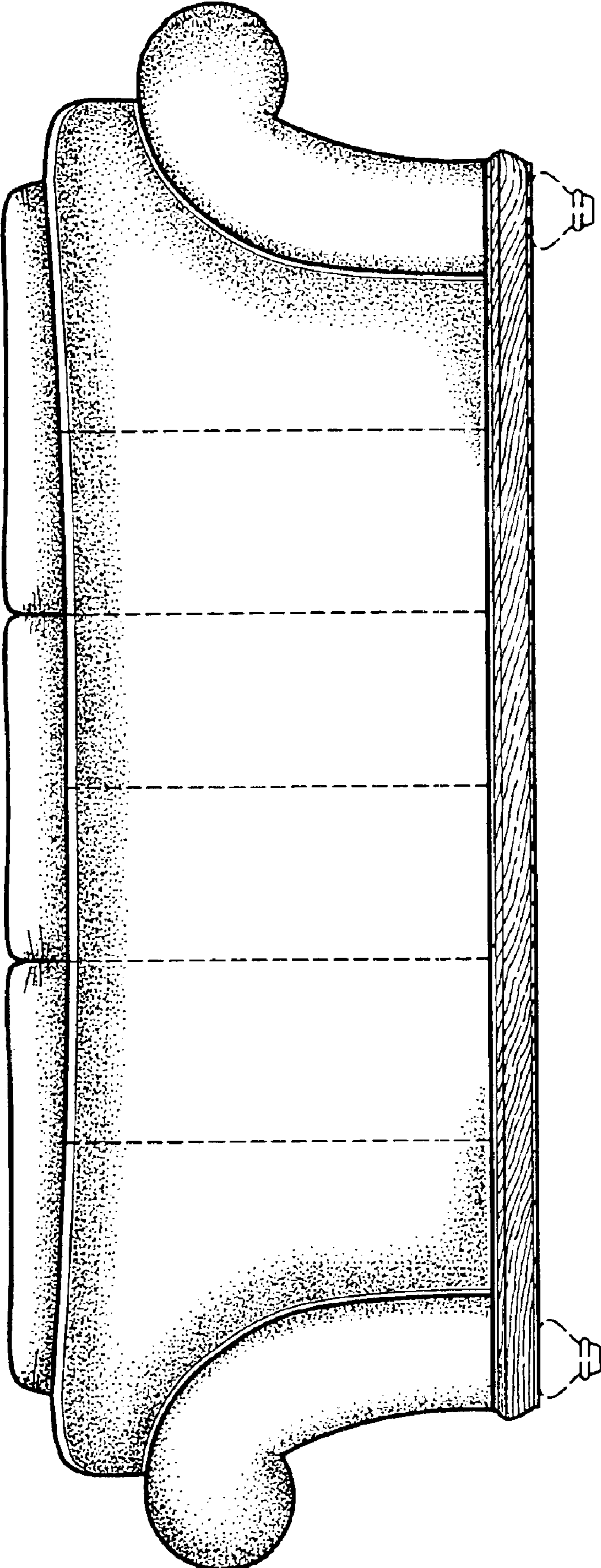


Fig. 5

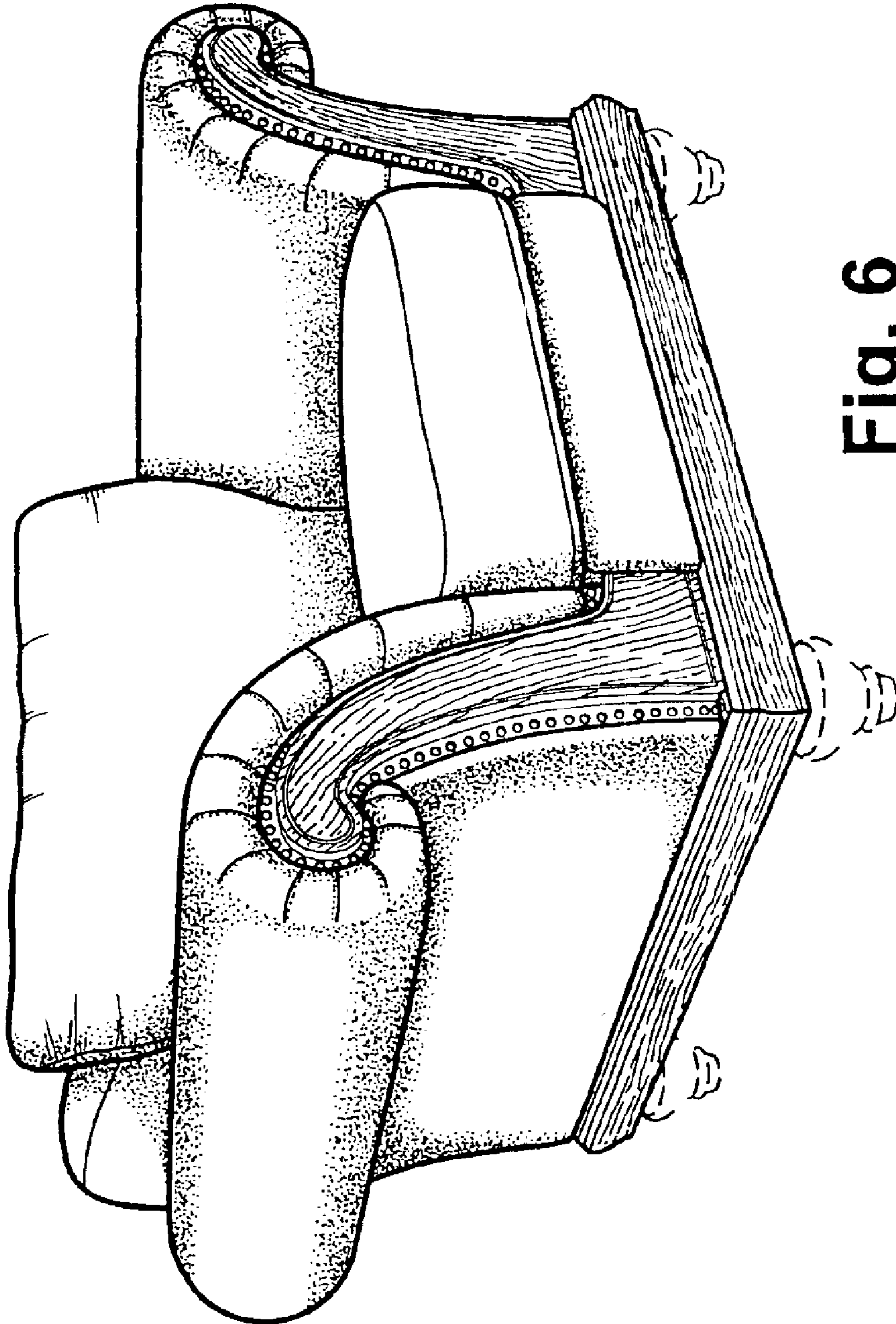


Fig. 6

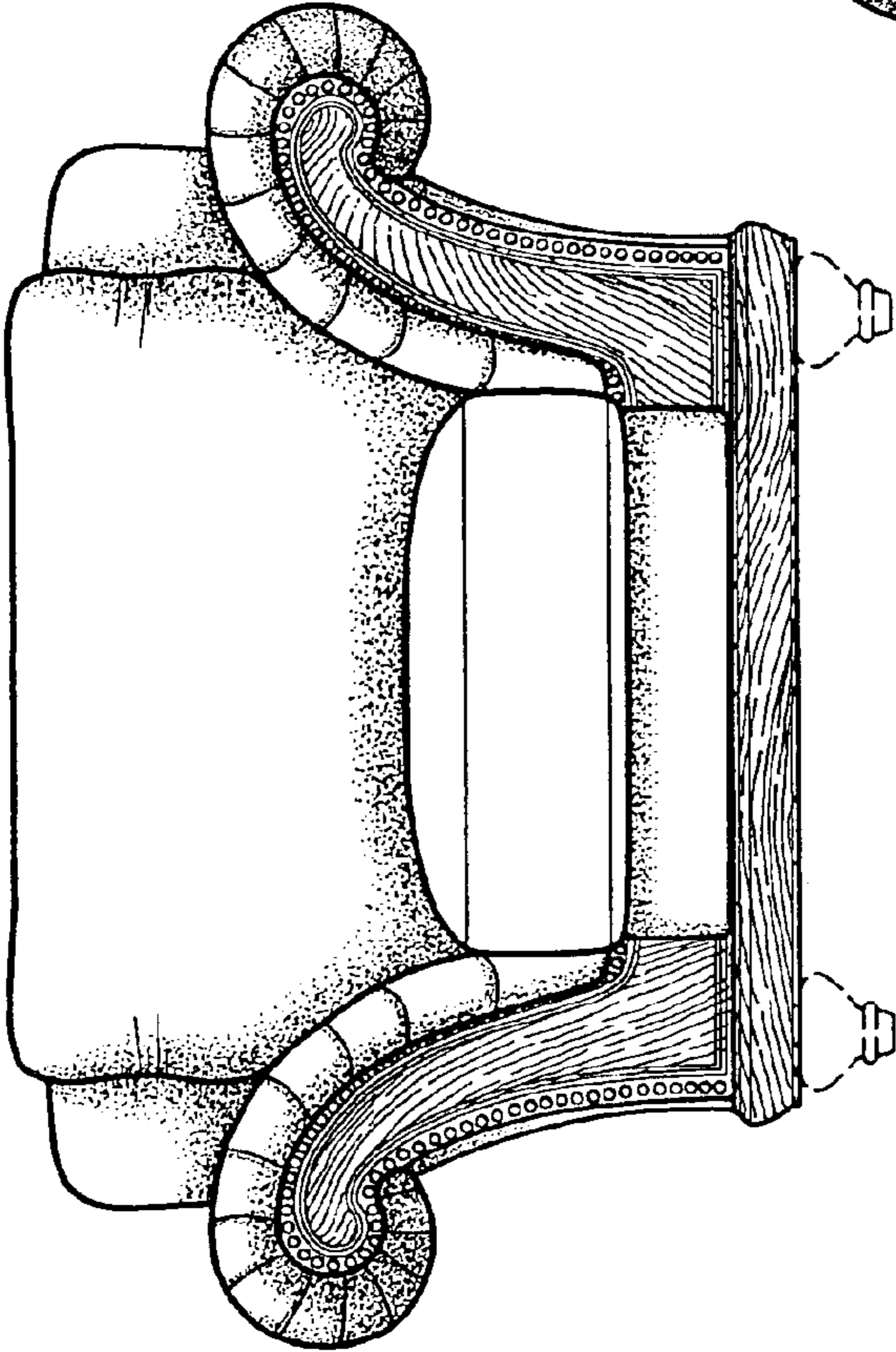


Fig. 7

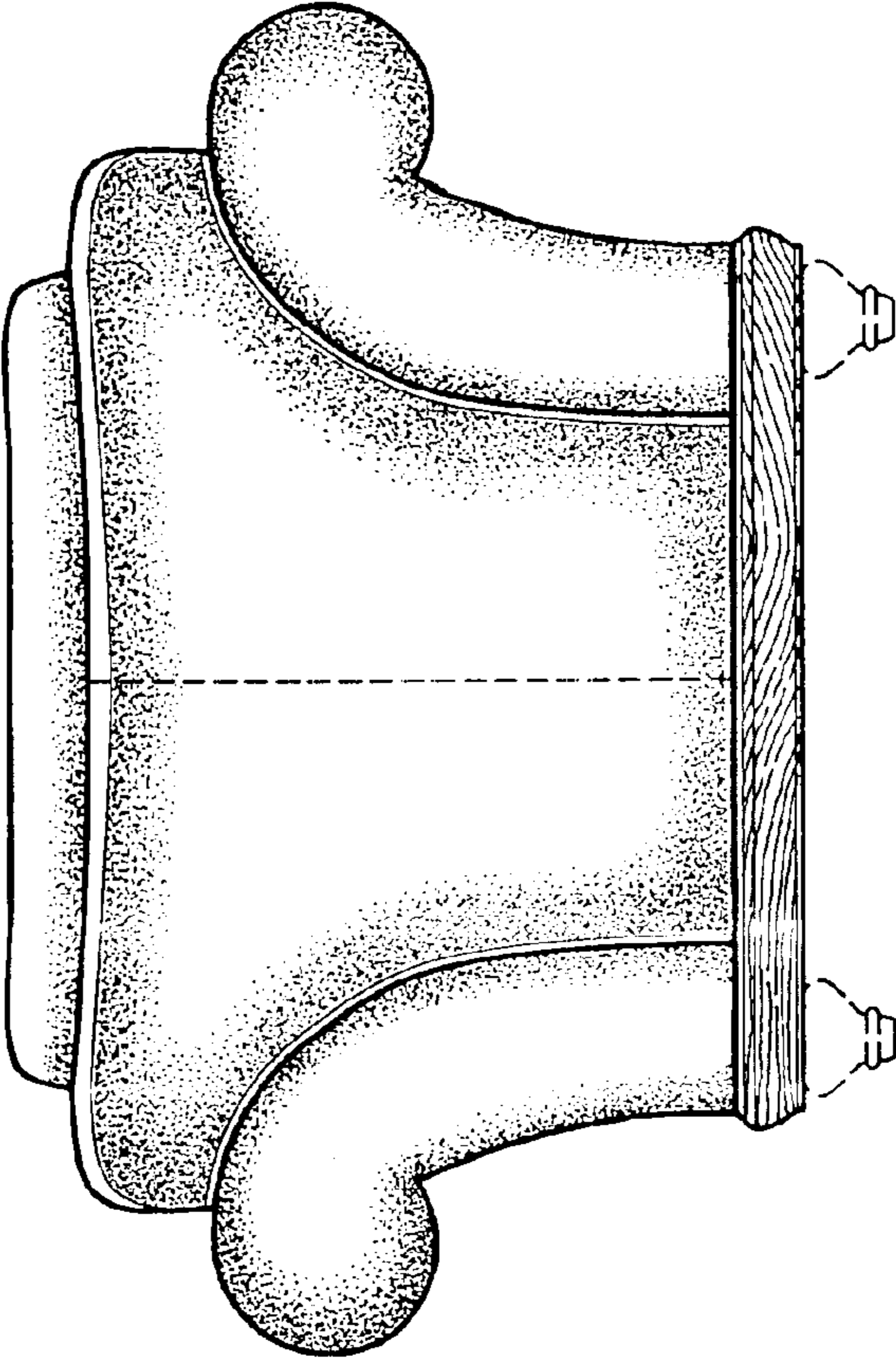


Fig. 8