

US00D504027S

(12) **United States Design Patent** (10) **Patent No.:** **US D504,027 S**
Ricci (45) **Date of Patent:** **** Apr. 19, 2005**

(54) **SEAT**

(75) Inventor: **Luca Ricci**, Forli (IT)

(73) Assignee: **DeCoro Ltd.**, Fanling (HK)

(**) Term: **14 Years**

(21) Appl. No.: **29/197,898**

(22) Filed: **Jan. 22, 2004**

(51) **LOC (7) Cl.** **06-01**

(52) **U.S. Cl.** **D6/381; D6/334**

(58) **Field of Search** **D6/334–336, 364,**
D6/371, 381, 500–502; 5/12.1; 297/232,
445.1

(56) **References Cited**

U.S. PATENT DOCUMENTS

D368,598 S	4/1996	Natuzzi et al.	
D372,370 S	8/1996	Natuzzi et al.	
D373,484 S	9/1996	Natuzzi et al.	
D381,528 S	7/1997	Natuzzi et al.	
D384,215 S	9/1997	Chandler	
D392,809 S	3/1998	Natuzzi et al.	
D399,361 S	10/1998	Natuzzi et al.	
D399,363 S	10/1998	Natuzzi et al.	
D403,173 S	* 12/1998	Ferguson et al. D6/381
D414,954 S	10/1999	Christa et al.	
D415,628 S	10/1999	Lewis	
D418,992 S	1/2000	Natuzzi et al.	
D428,725 S	8/2000	Lee	
D430,411 S	9/2000	Zaidman	
D430,421 S	9/2000	Natuzzi et al.	
D430,422 S	9/2000	Natuzzi et al.	
D431,924 S	10/2000	Natuzzi et al.	
D431,929 S	10/2000	Natuzzi et al.	
D434,244 S	11/2000	Natuzzi et al.	
D440,067 S	4/2001	Corella	
D444,310 S	7/2001	Lee	

(Continued)

OTHER PUBLICATIONS

De Coro Ltd. Chair Model No. 2232, Apr. 2002, at the International Home Furnishings Market in High Point, N.C.
De Coro Ltd. Sofa Model No. 2229, Apr. 2002, at the International Home Furnishings Market in High Point, N.C.

(Continued)

Primary Examiner—Gary D. Watson

(74) *Attorney, Agent, or Firm*—Luce, Forward, Hamilton & Scripps LLP

(57) **CLAIM**

The ornamental design for a seat, as shown and described.

DESCRIPTION

FIG. 1 is a front perspective view of one embodiment of my new seat design in the form of a sofa;

FIG. 2 is an enlarged front perspective view of a portion of the embodiment of FIG. 1;

FIG. 3 is a front elevation view of the embodiment of FIG. 1;

FIG. 4 is a left, side elevation view of the embodiment of FIG. 1, with the right side elevational view being a mirror image thereof;

FIG. 5 is a rear elevation view of the embodiment of FIG. 1;

FIG. 6 is a front perspective view of a second embodiment of my new seat design in the form of a chair;

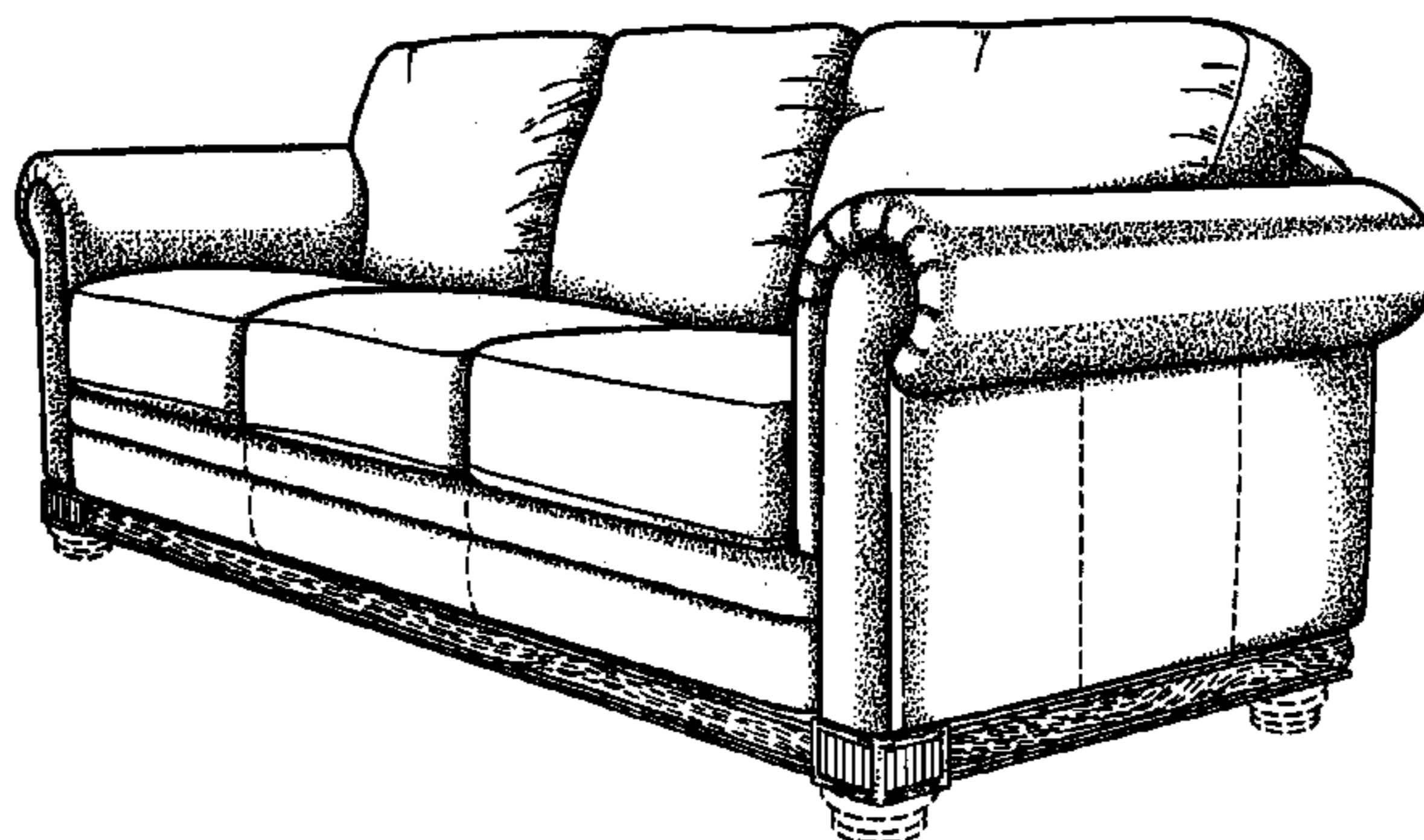
FIG. 7 is a front elevation view of the embodiment of FIG. 6; and,

FIG. 8 is a rear elevation view of the embodiment of FIG. 6.

The side elevation views of FIGS. 6, 7, and 8 are like that shown in FIG. 4.

The broken line disclosure is for illustrative purposes only and forms no part of the claimed design.

1 Claim, 4 Drawing Sheets



U.S. PATENT DOCUMENTS

D447,883 S	9/2001	Meier et al.	
D448,199 S	9/2001	Leon et al.	
D466,715 S	* 12/2002	Gibson	D6/381
D468,927 S	1/2003	Denton	
D470,326 S	2/2003	Ricci	
D474,622 S	5/2003	Ricci	
D474,906 S	5/2003	Ricci	
D474,916 S	5/2003	Ricci	
D475,217 S	6/2003	Ricci	
D476,498 S	7/2003	Ricci	
D483,196 S	* 12/2003	Ricci	D6/381
D487,643 S	* 3/2004	Natuzzi	D6/381
D490,999 S	* 6/2004	Ricci	D6/381
D491,000 S	* 6/2004	Ricci	D6/381
D497,733 S	* 11/2004	Ricci	D6/381

OTHER PUBLICATIONS

De Coro Ltd. Sofa Model No. 2214, Apr. 2002, at the International Home Furnishings Market in High Point, N.C.
 De Coro Ltd. Sofa Model No. 2208, Apr. 2002, at the International Home Furnishings Market in High Point, N.C.
 De Coro Ltd. Sofa Model No. 2207, Apr. 2002, at the International Home Furnishings Market in High Point, N.C.
 De Coro Ltd. Sofa Model No. 2205, Apr. 2002, at the International Home Furnishings Market in High Point, N.C.
 De Coro Ltd. Sofa Model No. 2204, Apr. 2002, at the International Home Furnishings Market in High Point, N.C.
 De Coro Ltd. Sofa Model No. 2203, Apr. 2002, at the International Home Furnishings Market in High Point, N.C.
 De Coro Ltd. Sofa Model No. 2196, Apr. 2002, at the International Home Furnishings Market in High Point, N.C.
 De Coro Ltd. Sofa Model No. 2172, Apr. 2002, at the International Home Furnishings Market in High Point, N.C.
 De Coro Ltd. Sofa Model No. 2167, Oct. 2001, at the International Home Furnishings Market in High Point, N.C.
 De Coro Ltd. Sofa Model No. 2166, Oct. 2001, at the International Home Furnishings Market in High Point, N.C.
 De Coro Ltd. Sofa Model No. 2163, Oct. 2001, at the International Home Furnishings Market in High Point, N.C.
 De Coro Ltd. Sofa Model No. 2162, Oct. 2001, at the International Home Furnishings Market in High Point, N.C.

De Coro Ltd. Sofa Model No. 2159, Oct. 2001, at the International Home Furnishings Market in High Point, N.C.
 De Coro Ltd. Sofa Model No. 2157, Oct. 2001, at the International Home Furnishings Market in High Point, N.C.
 De Coro Ltd. Sofa Model No. 2083, Apr. 2000, at the International Home Furnishings Market in High Point, N.C.
 De Coro Ltd. Sofa Model No. 2074, Apr. 2000, at the International Home Furnishings Market in High Point, N.C.
 De Coro Ltd. Sofa Model No. 2052, Apr. 2000, at the International Home Furnishings Market in High Point, N.C.
 De Coro Ltd. Sofa Model No. 282, Apr. 1999, at the International Home Furnishings Market in High Point, N.C.
 De Coro Ltd. Chair Model No. 170, Apr. 1998, at the International Home Furnishings Market in High Point, N.C.
 De Coro Ltd. Chair Model No. 169, Apr. 1998, at the International Home Furnishings Market in High Point, N.C.
 De Coro Ltd. Chair Model No. 168, Apr. 1998, at the International Home Furnishings Market in High Point, N.C.
 De Coro Ltd. Sofa Model No. 2241, Oct. 2002, at the International Home Furnishings Market in High Point, N.C.
 De Coro Ltd. Sofa Model No. 2242, Oct. 2002, at the International Home Furnishings Market in High Point, N.C.
 De Coro Ltd. Sofa Model No. 2260, Oct. 2002, at the International Home Furnishings Market in High Point, N.C.
 De Coro Ltd. Sofa Model No. 2264, Oct. 2002, at the International Home Furnishings Market in High Point, N.C.
 De Coro Ltd. Sofa Model No. 2279, Oct. 2002, at the International Home Furnishings Market in High Point, N.C.
 De Coro Ltd. Sofa Model No. 2281, Oct. 2002, at the International Home Furnishings Market in High Point, N.C.
 De Coro Ltd. Sofa Model No. 2282, Oct. 2002, at the International Home Furnishings Market in High Point, N.C.
 De Coro Ltd. Sofa Model No. 2287, Oct. 2002, at the International Home Furnishings Market in High Point, N.C.
 De Coro Ltd. Sofa Model No. 2288, Oct. 2002, at the International Home Furnishings Market in High Point, N.C.
 De Coro Ltd. Chair Model No. 2289, Oct. 2002, at the International Home Furnishings Market in High Point, N.C.
 De Coro Ltd. Sofa Model No. 2309, Oct. 2002, at the International Home Furnishings Market in High Point, N.C.

* cited by examiner

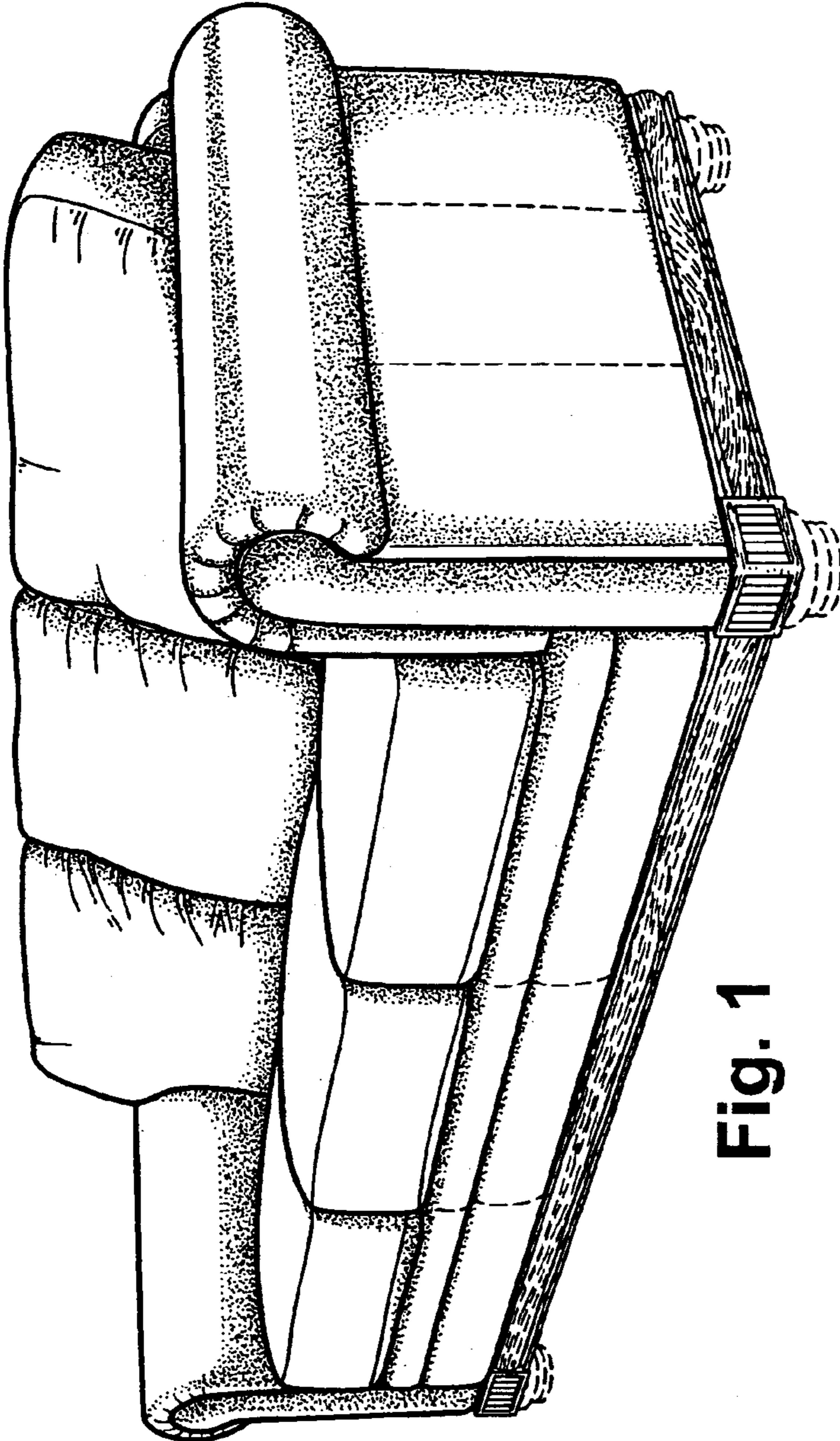


Fig. 1

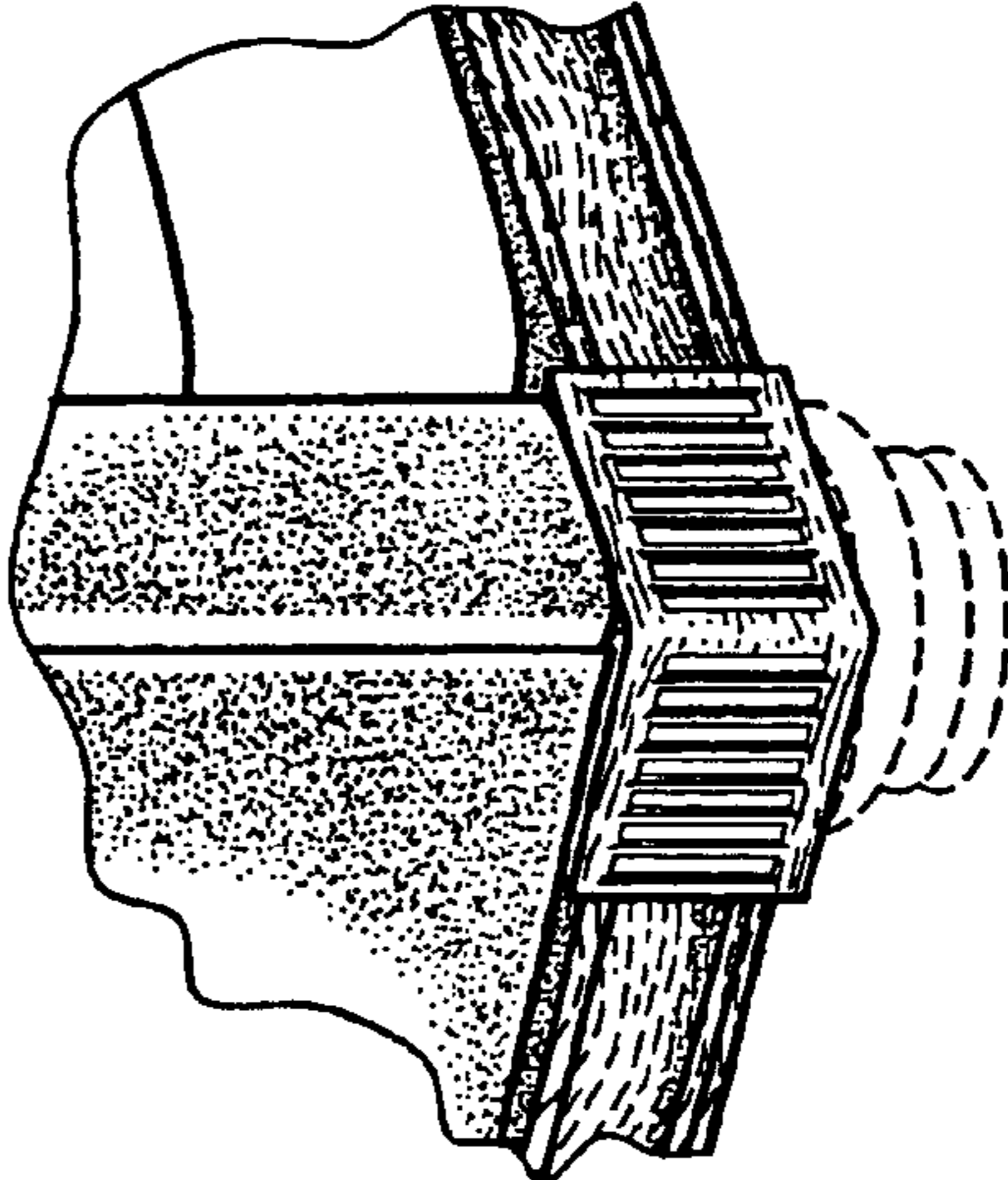


Fig. 2

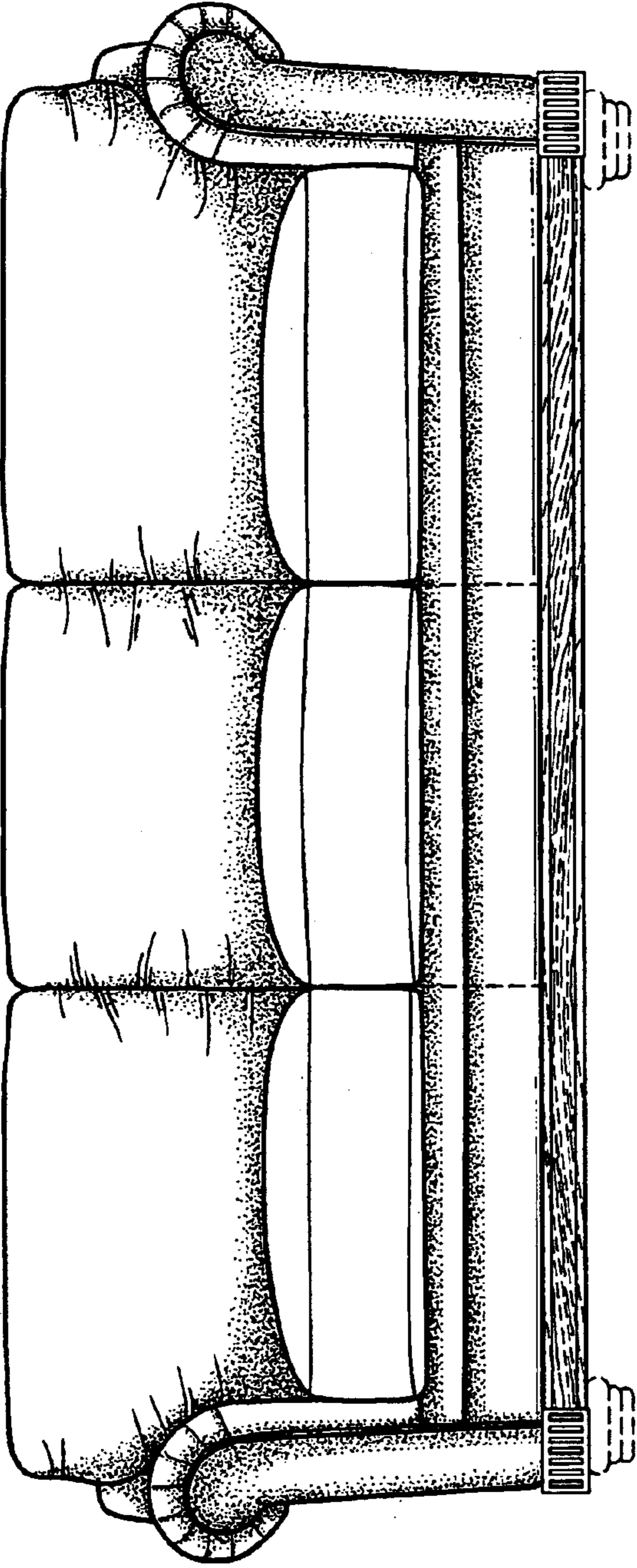


Fig. 3

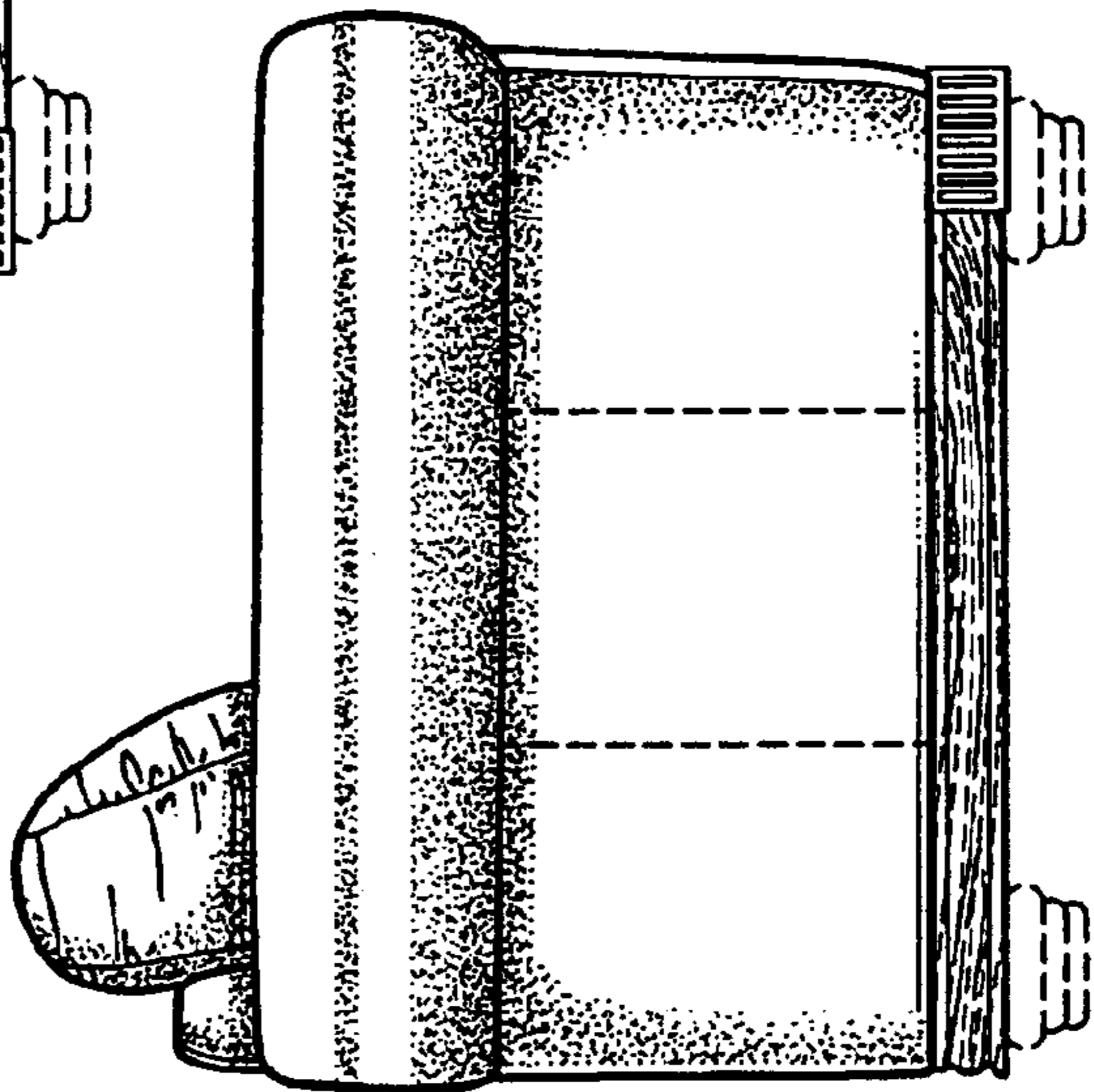


Fig. 4

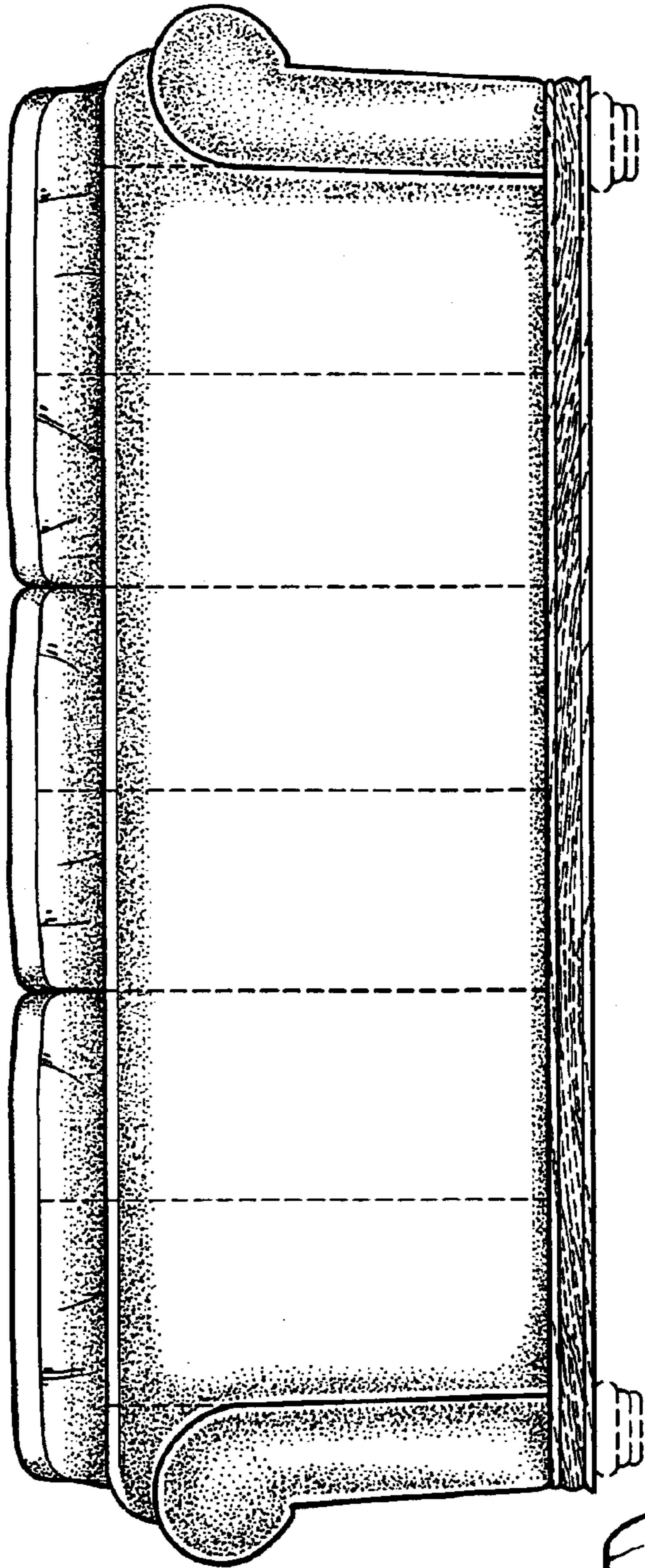


Fig. 5

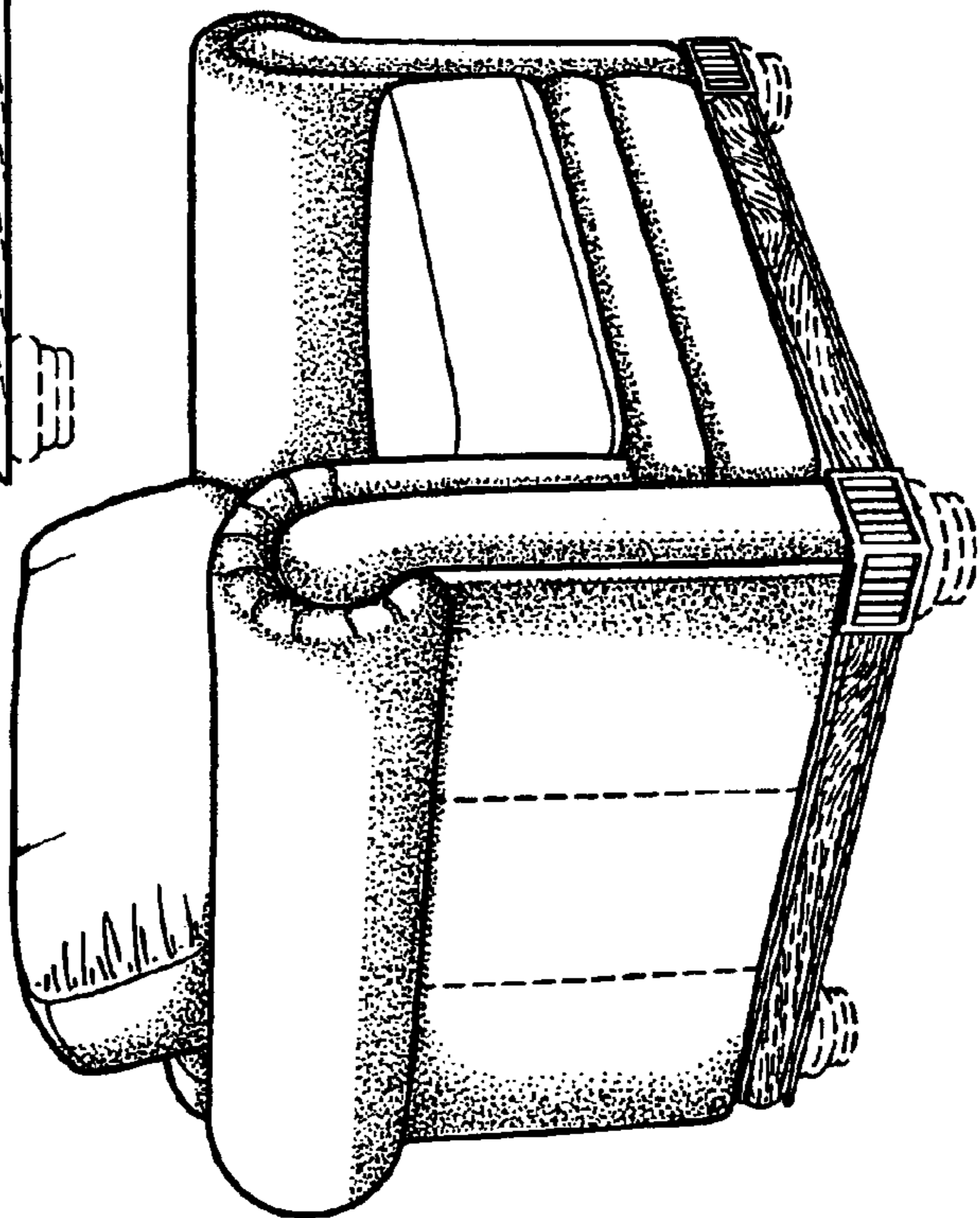


Fig. 6

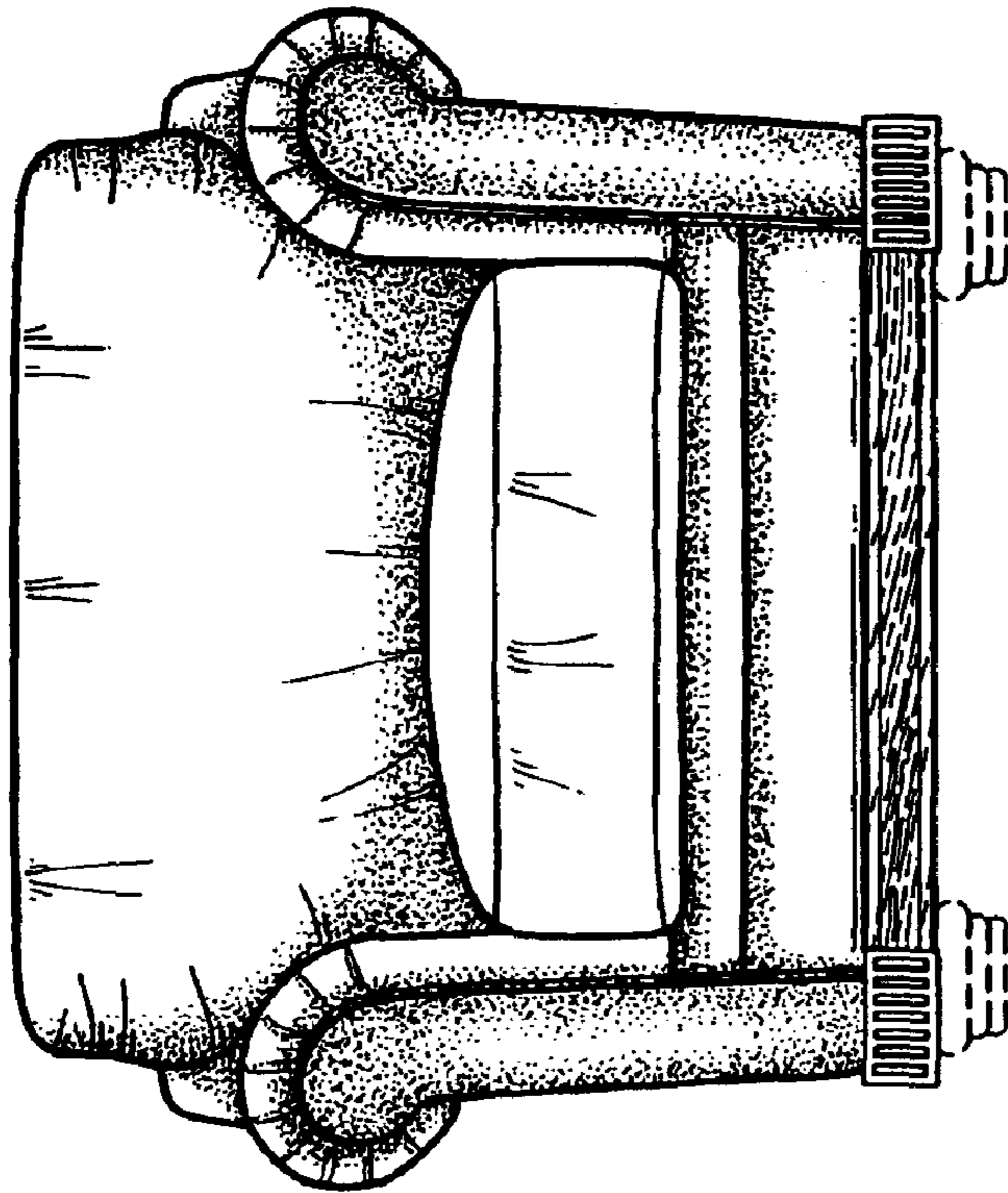


Fig. 7

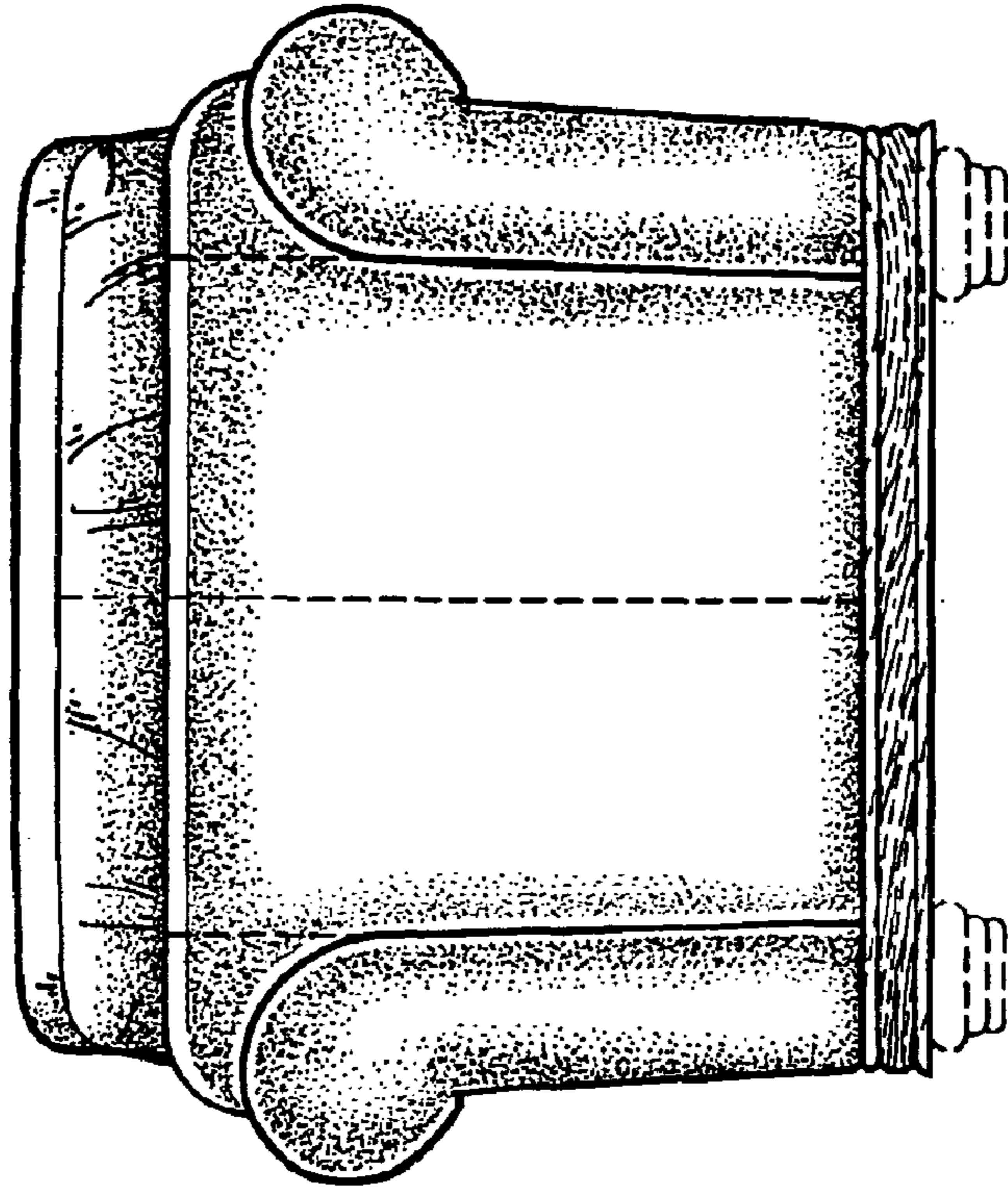


Fig. 8