

US00D504026S

(12) **United States Design Patent**
Glass et al.

(10) **Patent No.:** **US D504,026 S**

(45) **Date of Patent:** **** Apr. 19, 2005**

(54) **TASK CHAIR**

D211,461 S 6/1968 Walkinshaw
D218,159 S 7/1970 Hartang et al.
D218,419 S 8/1970 Nightingale
D220,388 S 4/1971 Kramer

(75) Inventors: **Peter Glass**, Arroyo Grande, CA (US);
Robert J. Mills, Torrance, CA (US)

(73) Assignee: **Virco Mgmt, Corporation**, Torrance,
CA (US)

(Continued)

(**) Term: **14 Years**

(21) Appl. No.: **29/212,060**

(22) Filed: **Aug. 26, 2004**

(51) **LOC (7) Cl.** **06-01**

(52) **U.S. Cl.** **D6/366**

(58) **Field of Search** D6/334, 360, 374,
D6/375, 364-367, 500-502; 297/411.2,
445.1, 423.38, 344.12

(56) **References Cited**

U.S. PATENT DOCUMENTS

- D76,863 S 11/1928 Ferris
- D104,154 S 4/1937 Andersen
- D108,940 S 3/1938 Gabb
- D123,831 S 12/1940 Brainard
- D127,977 S 7/1941 Shepherd
- D140,464 S 2/1945 Jones
- D140,478 S 2/1945 Jones
- D165,322 S 12/1951 Burdick
- D166,192 S 3/1952 Hamilton
- D185,851 S 8/1959 Christenson et al.
- D188,656 S 8/1960 Wagner
- D192,419 S 3/1962 Sullivan
- D192,635 S 4/1962 Anderson
- D194,458 S 1/1963 Pearson
- D195,770 S 7/1963 Isola
- D197,643 S 3/1964 Kramer
- D206,118 S * 11/1966 Bates D6/360

OTHER PUBLICATIONS

Virco Furniture Solutions 2004 General Catalog, pp. 18, 19,
and 20, model Nos. 4500, 4501, 266017GC, 3860GC,
2260PGC, and 9260PGC, Oct. 2003.

Artco-Bell Corporation Furniture to Enhance Education
catalog, p. 18 model No. QP90, undated.

Royal Seating, Ltd. Total Furniture Solutions catalog, pp. 7,
10, 11, and 12, model Nos. 6514U, 7741, 8771, 3616, and
3613, undated.

Scholar Craft School Furniture catalog, pp. 29 and 30, model
Nos. 190, and 110, undated.

Primary Examiner—Gary D. Watson

(74) *Attorney, Agent, or Firm*—Robert M. Hupe; Virco
Mgmt. Corporation

(57) **CLAIM**

The ornamental design for a “task chair,” as shown.

DESCRIPTION

FIG. 1 is a perspective view of a task chair showing my new
design;

FIG. 2 is a front elevational view thereof;

FIG. 3 is a left side view thereof;

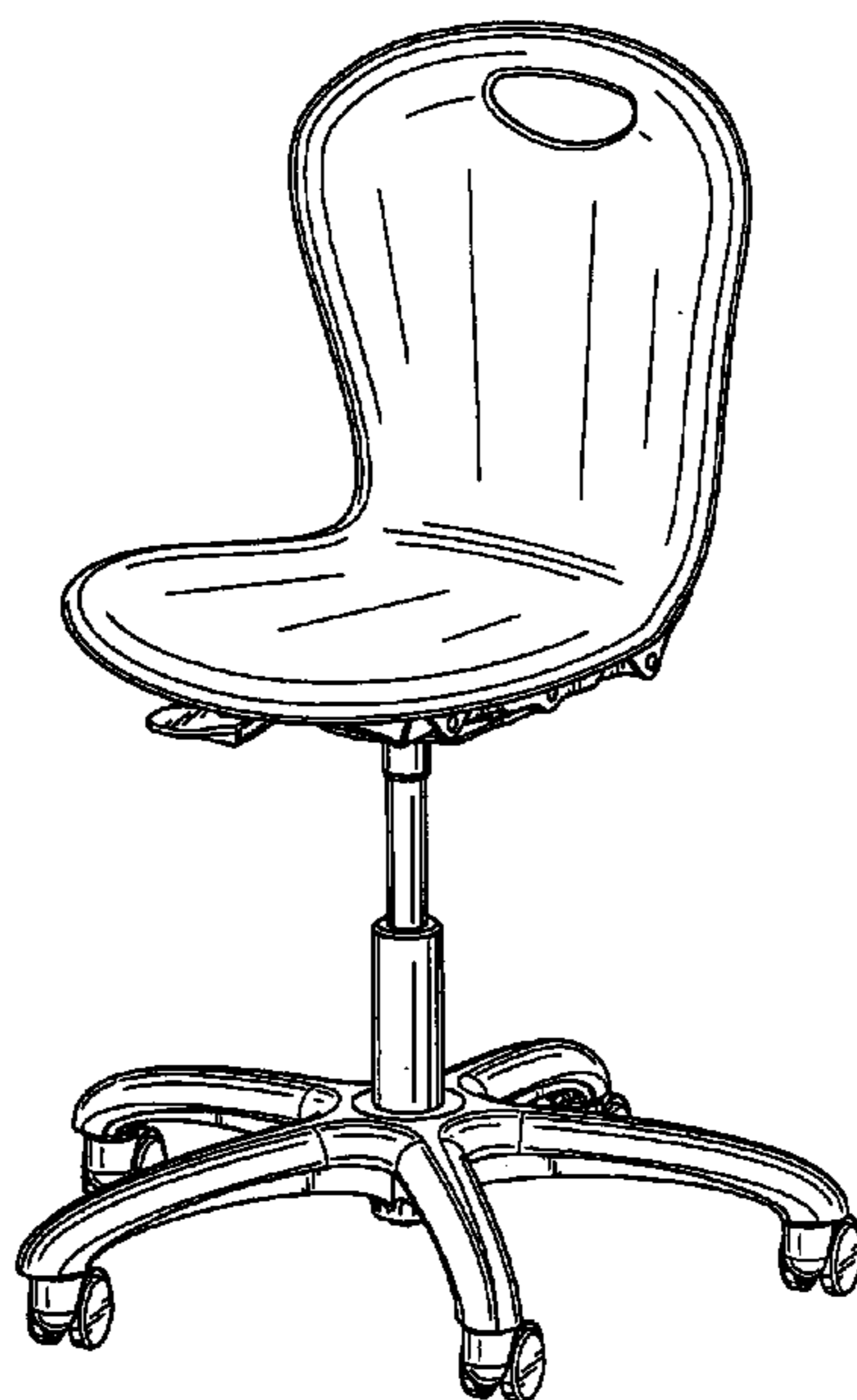
FIG. 4 is a right side view thereof;

FIG. 5 is a top view thereof;

FIG. 6 is a bottom view thereof; and,

FIG. 7 is a back elevational view thereof.

1 Claim, 4 Drawing Sheets



US D504,026 S

U.S. PATENT DOCUMENTS

D227,057 S	6/1973	Buhk	
D227,953 S	7/1973	Prizlow	
D228,536 S	10/1973	Sottsass, Jr.	
D230,443 S	2/1974	Klose	
D232,398 S	8/1974	Sottsass, Jr.	
D233,638 S	11/1974	Offrendi	
D233,710 S	11/1974	Fantoni	
D233,711 S	11/1974	Fantoni	
D233,712 S	11/1974	Koepke	
D233,807 S	12/1974	Ruf	
D233,808 S	12/1974	Ruf	
D234,382 S	2/1975	Tacke	
D234,383 S	2/1975	Tacke	
D234,384 S	2/1975	Tacke	
D235,233 S	6/1975	Prizlow	
D236,173 S	8/1975	Ruf	
D236,302 S	8/1975	Prizlow	
D236,303 S	8/1975	Prizlow	
D239,791 S	5/1976	Alessandri	
D239,792 S	5/1976	Allesandri	
D240,374 S	7/1976	Buhk	
D240,375 S	7/1976	Buhk	
D240,780 S	8/1976	Dittert	
D241,288 S	9/1976	Tacke	
D241,389 S	9/1976	Ball	
D243,486 S	3/1977	Buhk	
D243,487 S	3/1977	Buhk	
D244,892 S	7/1977	Koepke	
D249,302 S	9/1978	Ruf	
D249,303 S	9/1978	Ruf	
D254,104 S	2/1980	Wilson	
D255,183 S	6/1980	Locher	
D255,293 S	6/1980	Locher	
D256,740 S	9/1980	Acton	
D256,741 S	9/1980	Acton	
D260,204 S	8/1981	Sapper	
D261,078 S	* 10/1981	Wilson	D6/360
D268,233 S	3/1983	Stephens	
D270,497 S	9/1983	Ochsner	
D270,874 S	10/1983	Ochsner	
D274,865 S	* 7/1984	Murry	D6/360
D275,052 S	8/1984	Stephens	
D275,053 S	8/1984	Stephens	
D275,054 S	* 8/1984	Aronowitz et al.	D6/360
D279,241 S	6/1985	Diffrient	
D283,762 S	* 5/1986	Caruso	D6/360
D288,387 S	2/1987	Ochsner	
D295,002 S	4/1988	Murry	
D297,600 S	9/1988	Wilson	
D304,885 S	12/1989	Wilson	
D304,886 S	12/1989	Murry	
D309,385 S	7/1990	Buhk	
D322,179 S	12/1991	Wilson	
D326,372 S	5/1992	Edwards	
D326,961 S	6/1992	Hannah et al.	
D341,260 S	11/1993	Fahnstrom et al.	
D346,911 S	* 5/1994	Lucci et al.	D6/374
D347,740 S	6/1994	Locher	
D348,990 S	7/1994	Geiger et al.	
D348,991 S	7/1994	Geiger et al.	
D351,069 S	10/1994	Orlandini et al.	
D354,631 S	1/1995	Orlandini et al.	
D356,897 S	4/1995	Ochsner	
D361,214 S	8/1995	Klein	
D362,973 S	10/1995	Schultz	
D368,172 S	3/1996	Locher	
D368,380 S	4/1996	Olson et al.	
D369,689 S	5/1996	Locher	
D369,917 S	5/1996	Beaulieu	
D376,924 S	12/1996	Beaulieu	
D378,170 S	2/1997	Beaulieu	
D378,714 S	4/1997	Beaulieu	
D383,322 S	9/1997	Dammermann et al.	
D383,323 S	9/1997	Dammermann et al.	
D395,962 S	* 7/1998	Buffon	D6/366
D397,557 S	9/1998	Feldberg	
D399,664 S	10/1998	Goodworth et al.	
D401,771 S	12/1998	Goodworth et al.	
D405,617 S	2/1999	Kaczmarek et al.	
D408,163 S	4/1999	Olson	
D409,022 S	5/1999	Vanderwood et al.	
D409,404 S	5/1999	Kaczmarek	
D409,407 S	* 5/1999	Wang	D6/375
D411,692 S	6/1999	Ogg	
D413,027 S	8/1999	Breen	
D418,685 S	1/2000	Kaczmarek	
D420,224 S	2/2000	Olson	
D440,418 S	4/2001	Breen	
D446,955 S	8/2001	Zemp	
D456,160 S	4/2002	Van De Riet et al.	
D456,626 S	5/2002	Su	
D456,627 S	5/2002	Pearce et al.	
D458,764 S	6/2002	Starck	
D460,870 S	7/2002	Van De Riet et al.	
D463,178 S	9/2002	Chu	
D463,694 S	10/2002	Chu	
D470,320 S	* 2/2003	Schloss	D6/375
D471,024 S	3/2003	Chadwick et al.	
D471,370 S	3/2003	Schmitz et al.	
D473,407 S	* 4/2003	Ross	D6/500
D474,040 S	5/2003	Meda	
D477,925 S	8/2003	Lucci et al.	
D487,642 S	3/2004	Lucci et al.	
D488,630 S	* 4/2004	McCann	D6/366

* cited by examiner

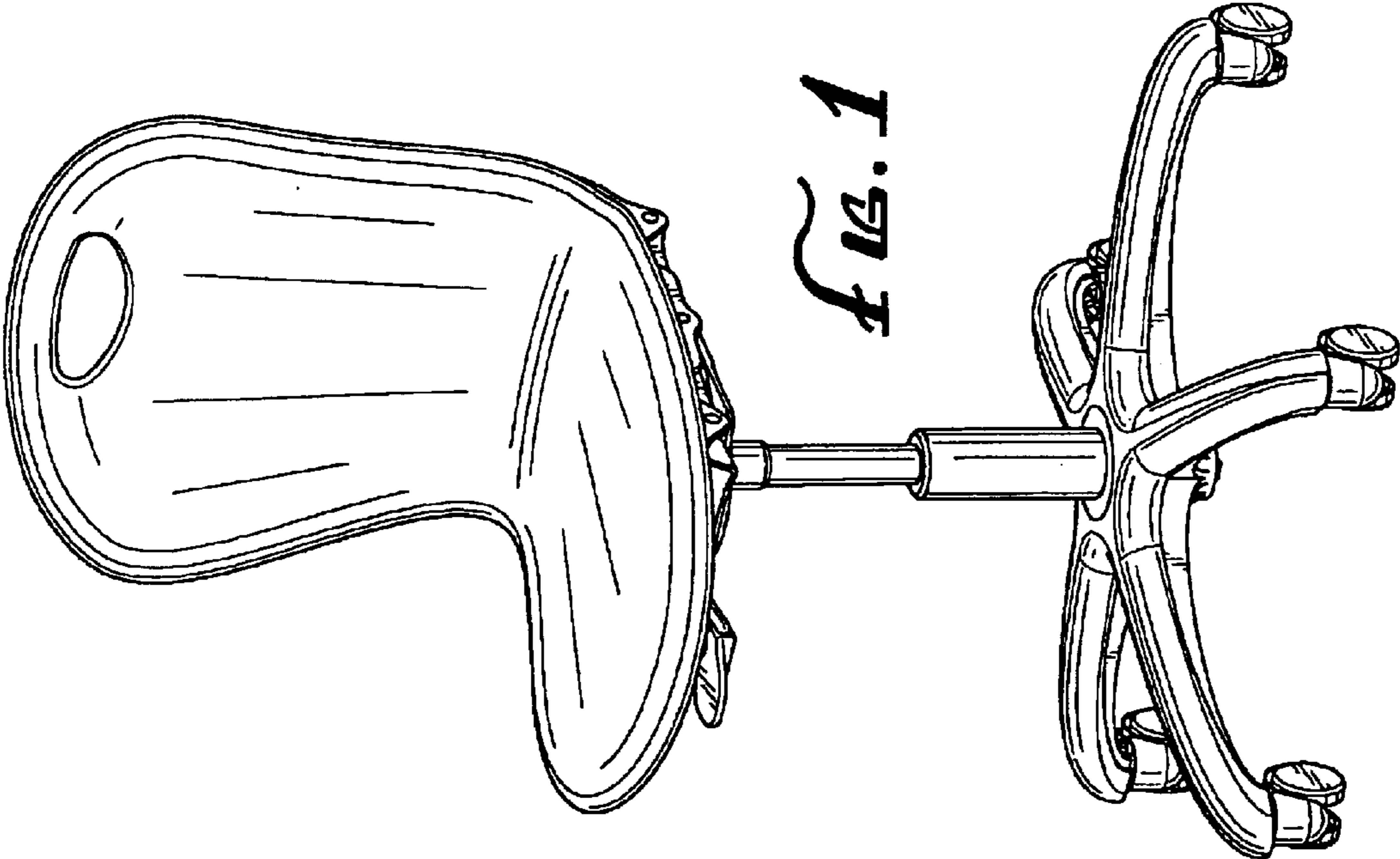


FIG. 1

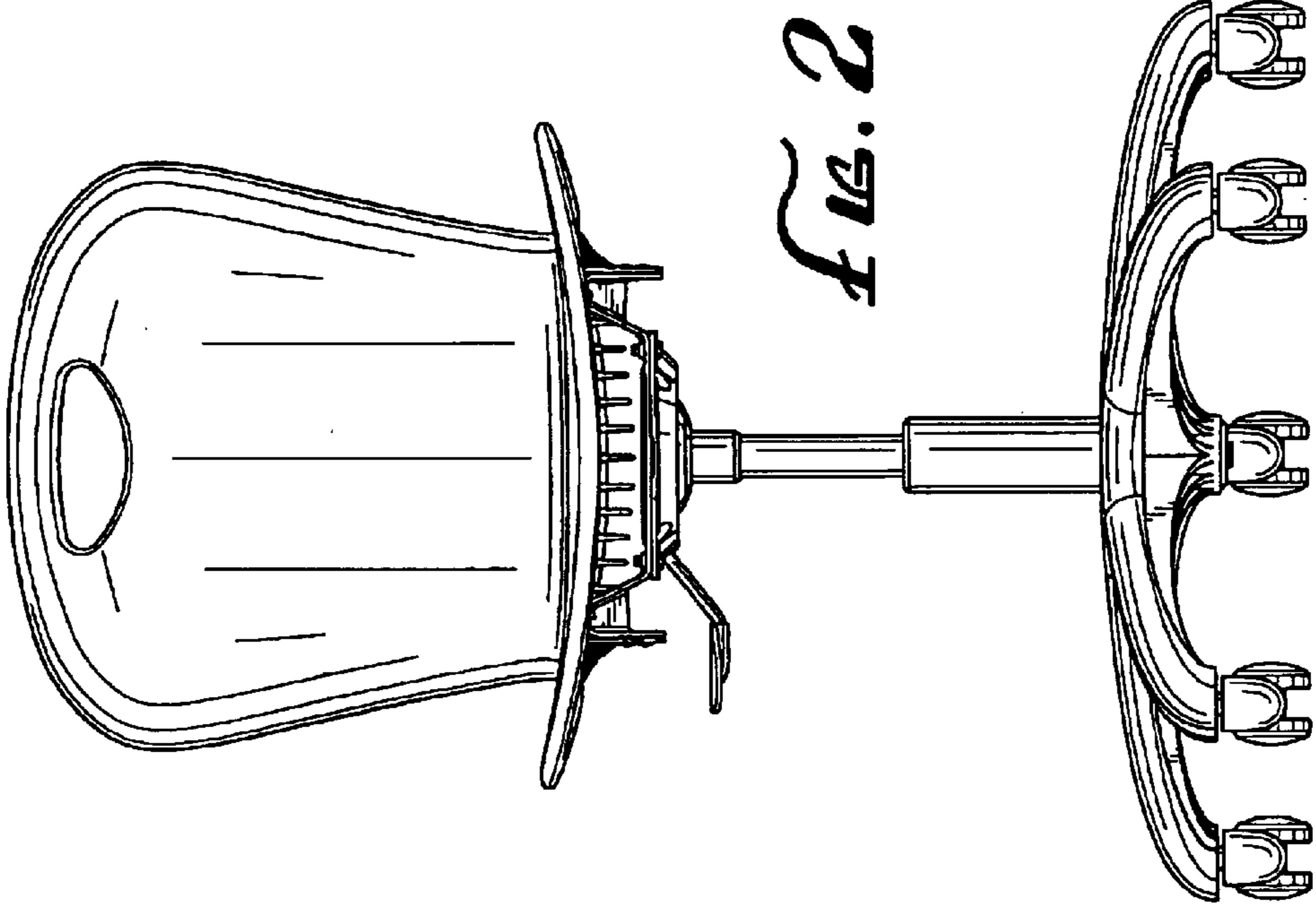
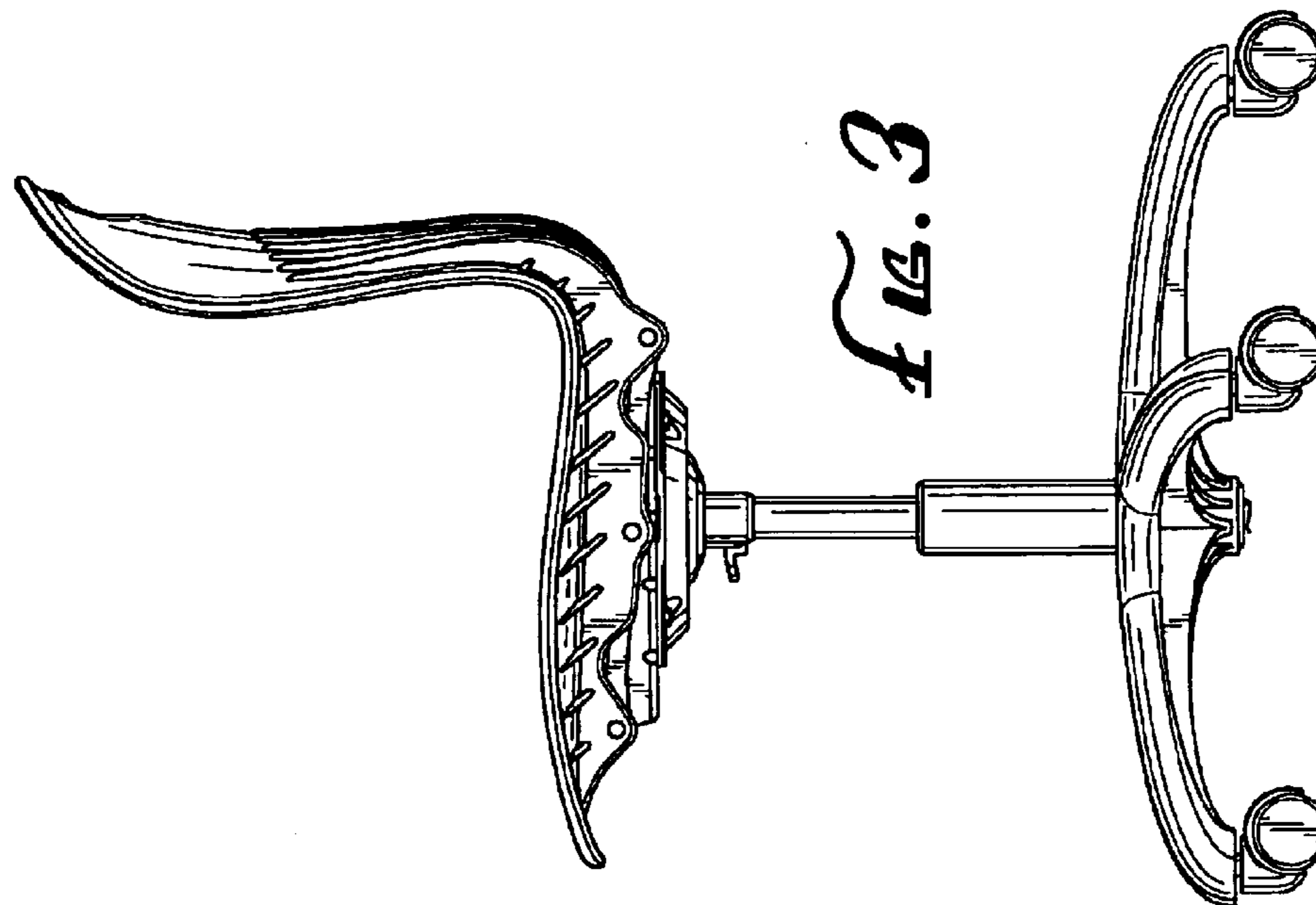
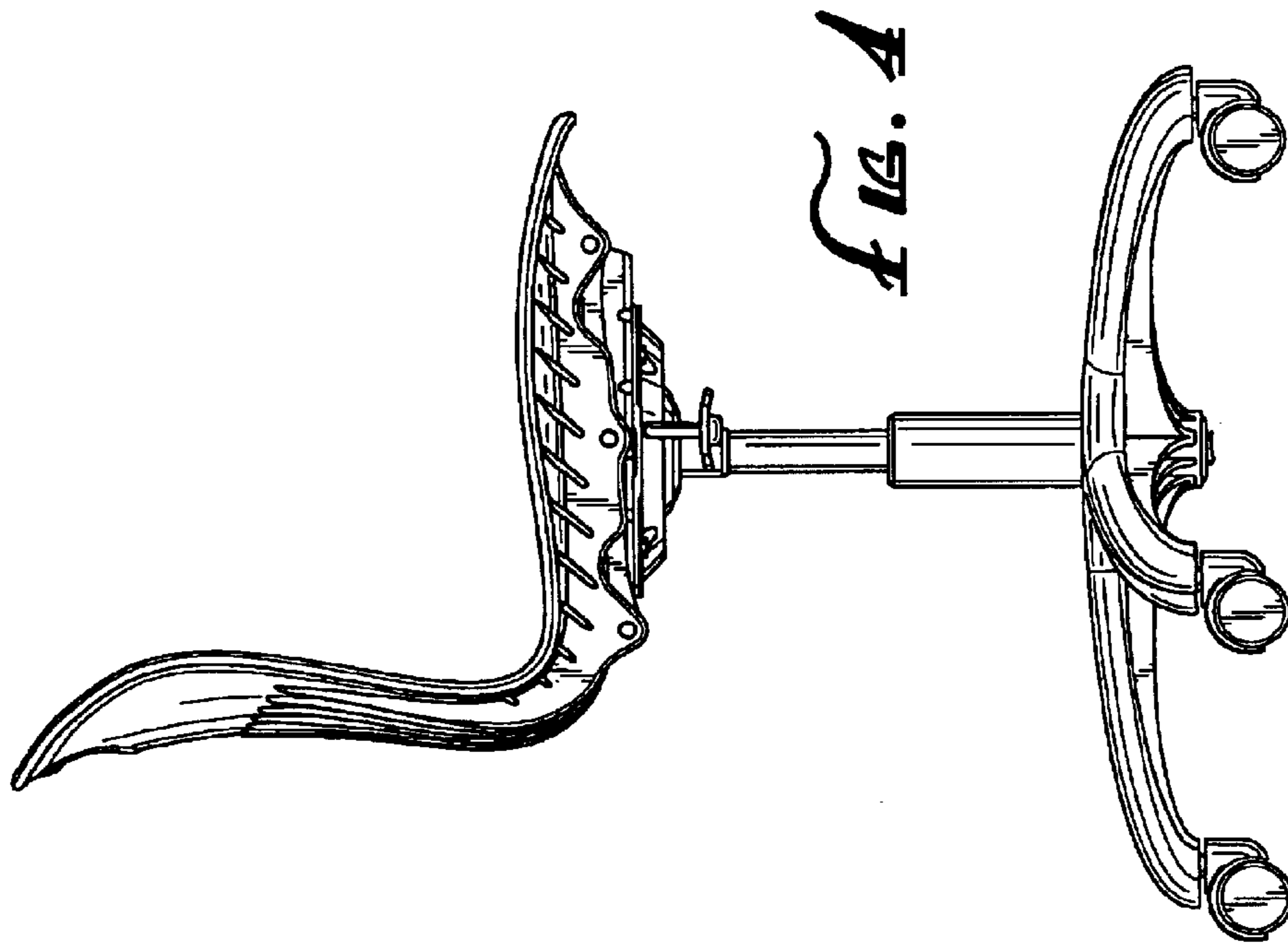


FIG. 2



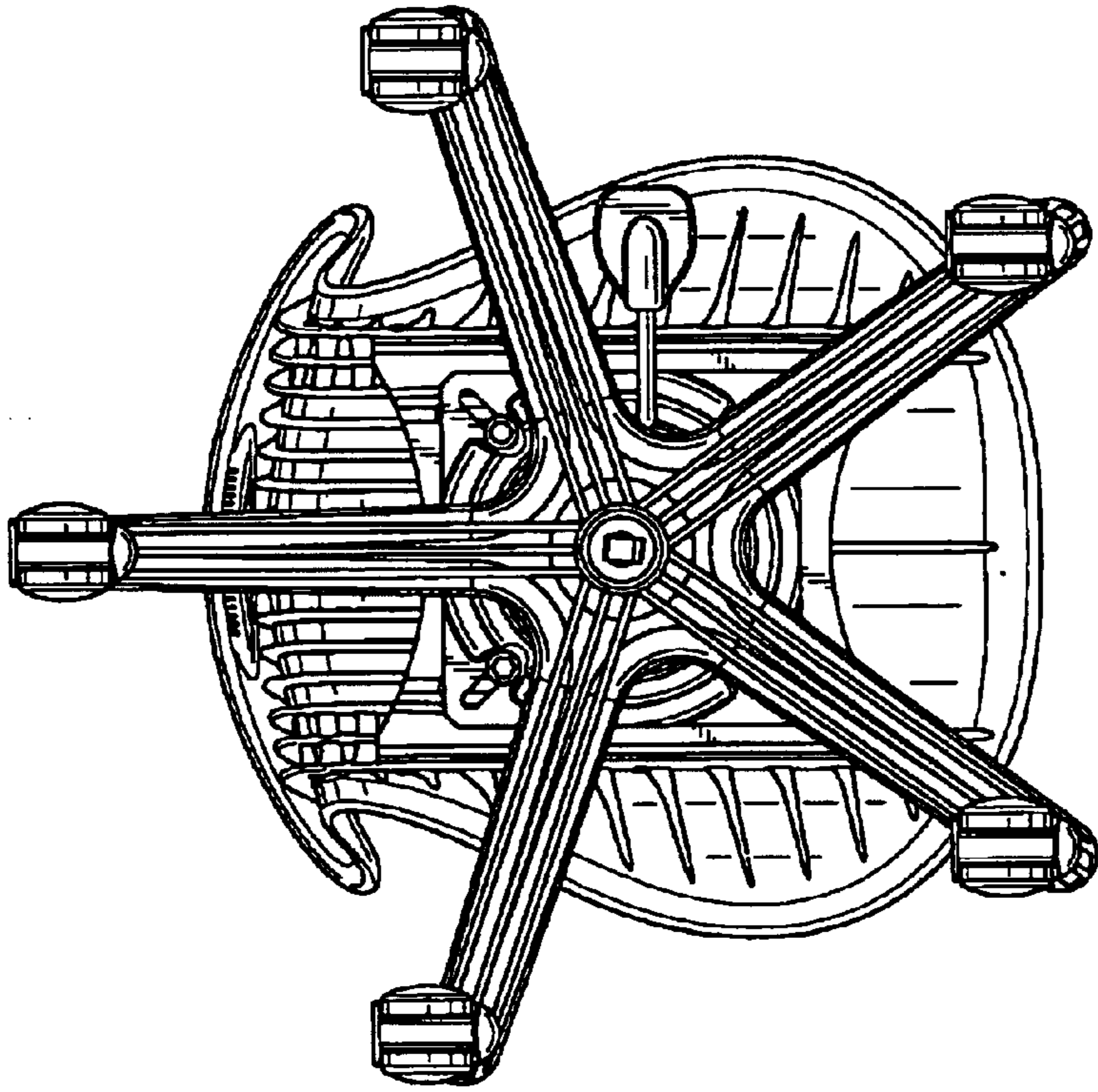


Fig. 5

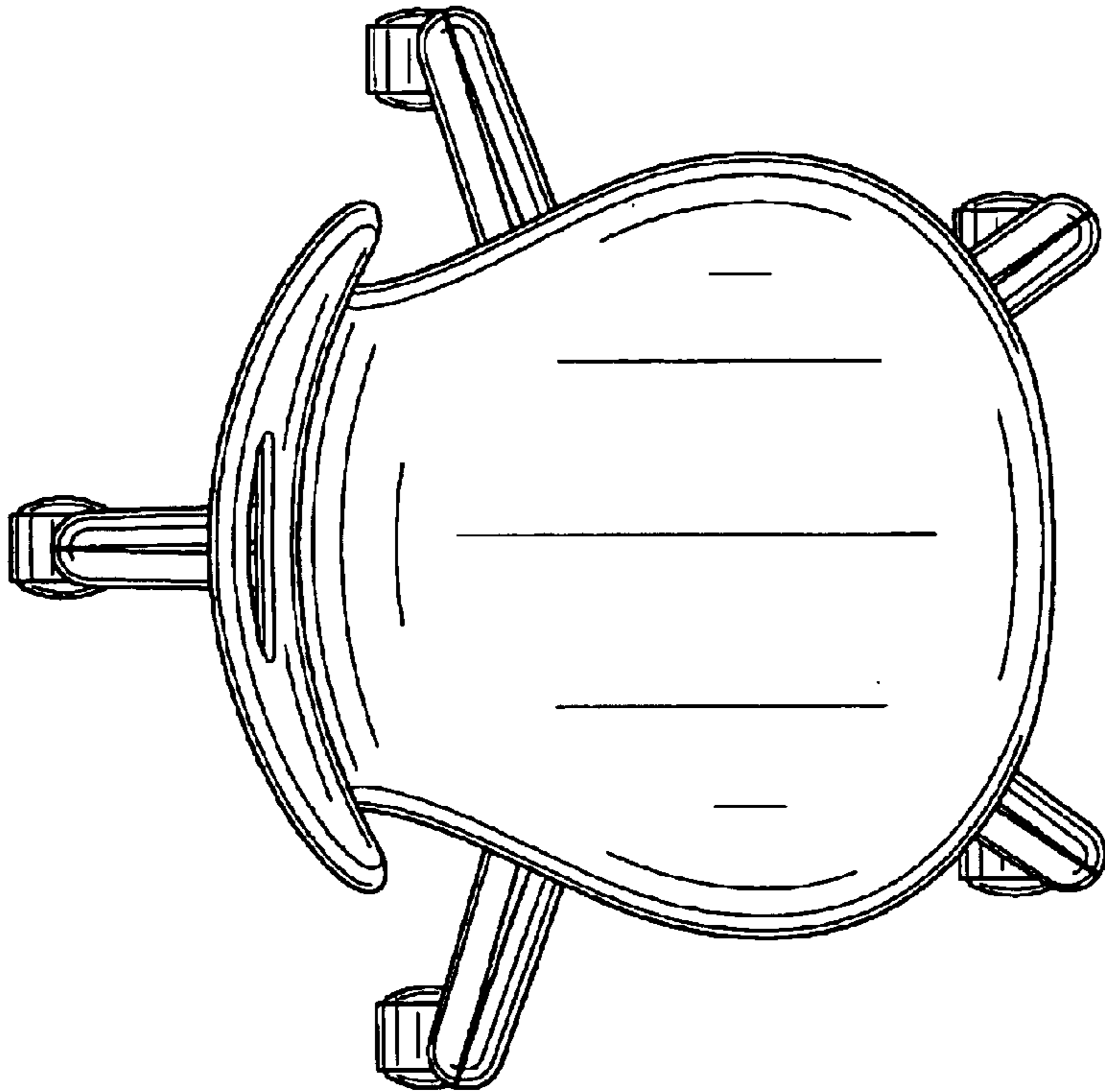


Fig. 6

