

US00D504018S

(12) **United States Design Patent**
Miller

(10) **Patent No.: US D504,018 S**
(45) **Date of Patent: ** Apr. 19, 2005**

(54) **TOOTHPASTE-DISPENSING TOOTHBRUSH**

(76) **Inventor: Ronald Allen Miller, 87 Village Wood, Jackson, TN (US) 38305**

(**) **Term: 14 Years**

(21) **Appl. No.: 29/195,293**

(22) **Filed: Dec. 9, 2003**

(51) **LOC (7) Cl. 04-02**

(52) **U.S. Cl. D4/108**

(58) **Field of Search D4/104-114, 121, D4/132, 134, 138; 15/143.1, 167.1, 167.2, 184, 248.1; 401/152, 155, 158, 176-179, 183, 186, 268-270, 287, 276, 278, 279, 282, 284, 291; 132/308, 309, 311; 16/110.1, 430, 431**

(56) **References Cited**

U.S. PATENT DOCUMENTS

- 3,242,516 A * 3/1966 Cantor
- 3,451,086 A * 6/1969 Burgett
- 4,068,974 A 1/1978 Meyer et al.
- 4,521,128 A 6/1985 O'Neal
- 4,826,341 A * 5/1989 Kwak 401/155 X
- 5,346,324 A 9/1994 Kuo
- D383,609 S * 9/1997 Phillips D4/108

- D385,703 S * 11/1997 Etter D4/109 X
- 5,827,001 A 10/1998 Taghavi-Khanghah
- 5,846,010 A * 12/1998 Barbalich 401/186
- 5,909,977 A 6/1999 Kuo
- D438,383 S * 3/2001 Doat D4/104
- D443,143 S * 6/2001 Ponceano D4/108
- D449,448 S 10/2001 Ekeoba
- 6,685,375 B1 * 2/2004 Crocker 401/176

* cited by examiner

Primary Examiner—Robin V. Taylor
Assistant Examiner—Lavone D. Tabor

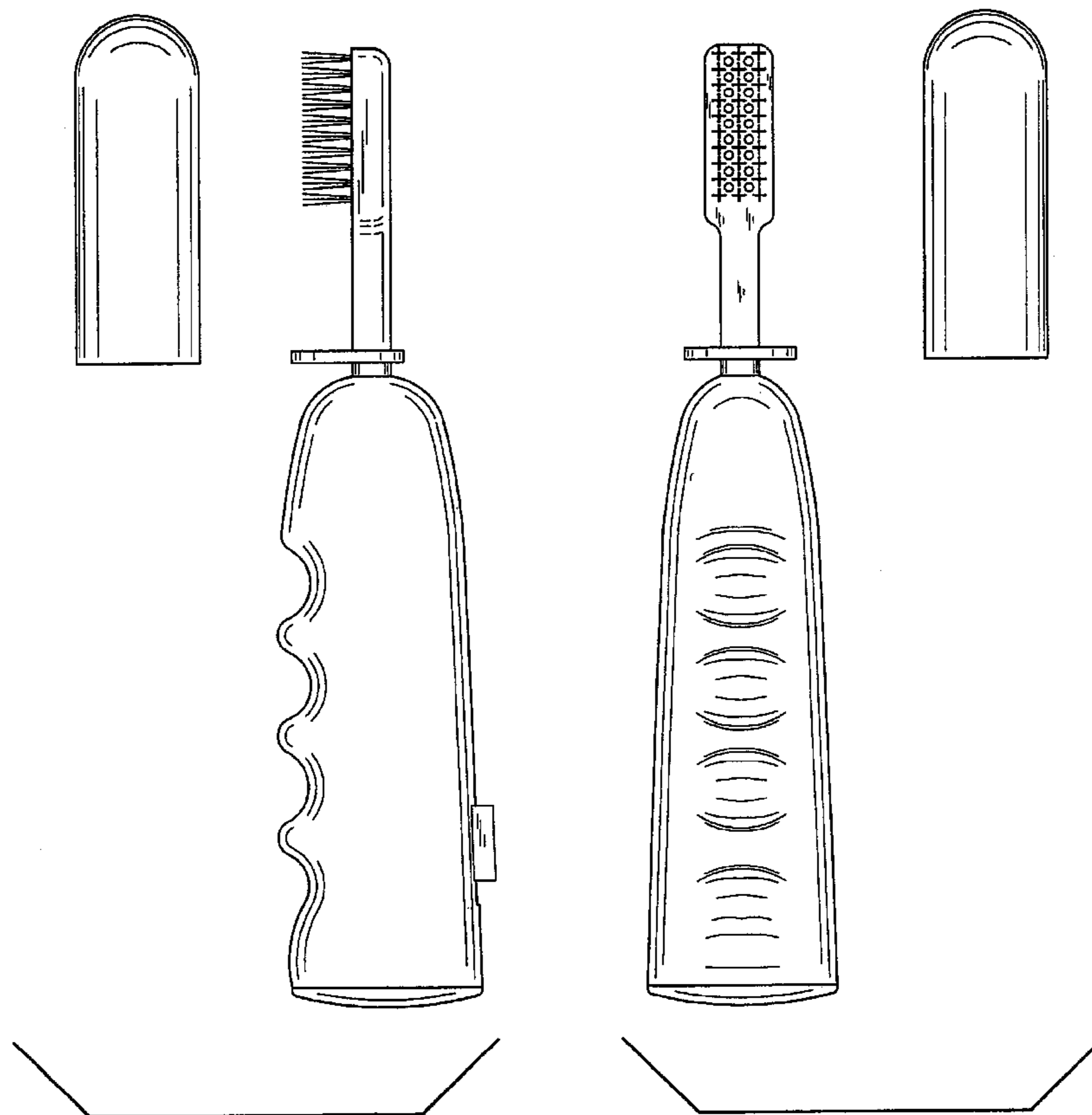
(57) **CLAIM**

The ornamental design for a toothpaste-dispensing toothbrush, as shown and described.

DESCRIPTION

FIG. 1 is an exploded front elevational view of a toothpaste-dispensing toothbrush showing my new design, the rear elevational view being a mirror image thereof; FIG. 2 is a side view, taken from the left side of FIG. 1; FIG. 3 is a side view, taken from the right side of FIG. 1; FIG. 4 is a top plan view thereof; FIG. 5 is a bottom plan view thereof; and, FIG. 6 is a rear elevational view of my toothpaste-dispensing toothbrush with its cap in place.

1 Claim, 5 Drawing Sheets



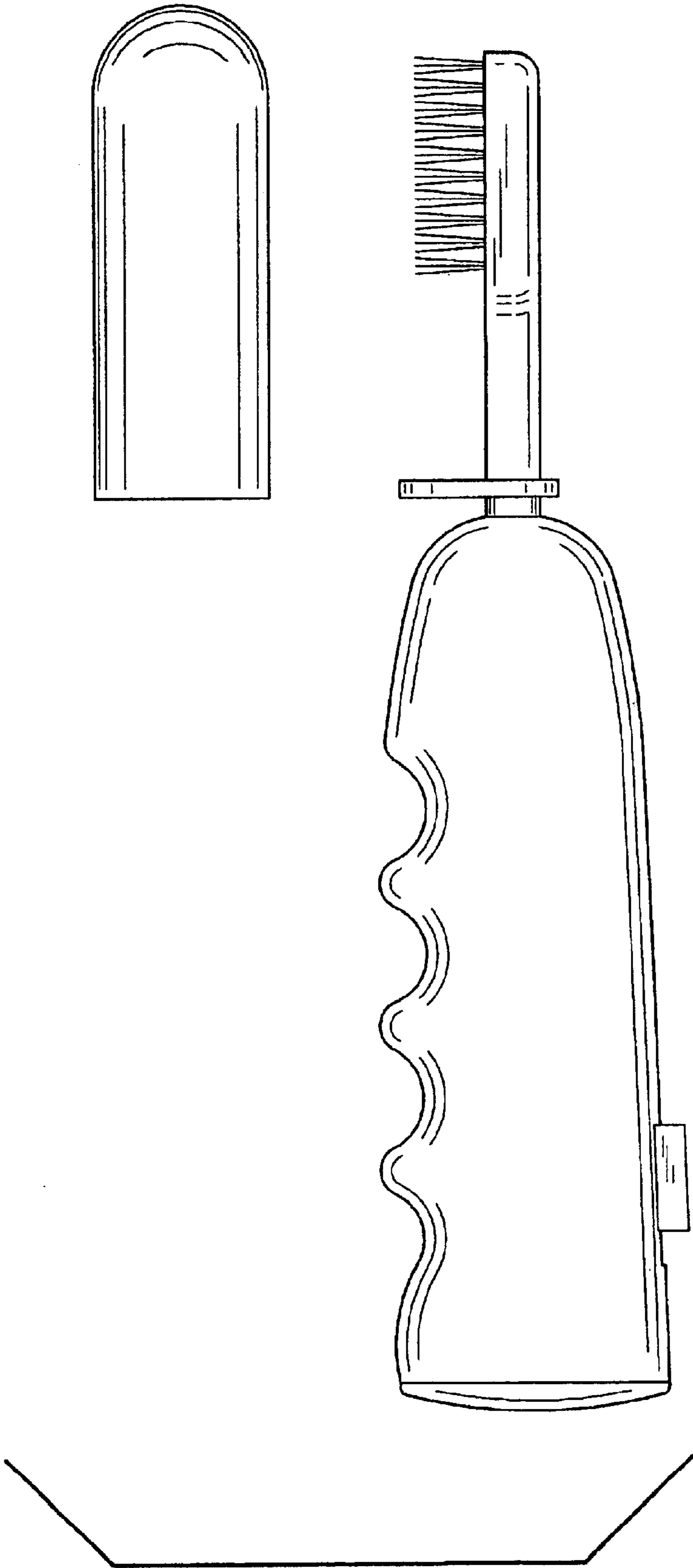


FIG. 1

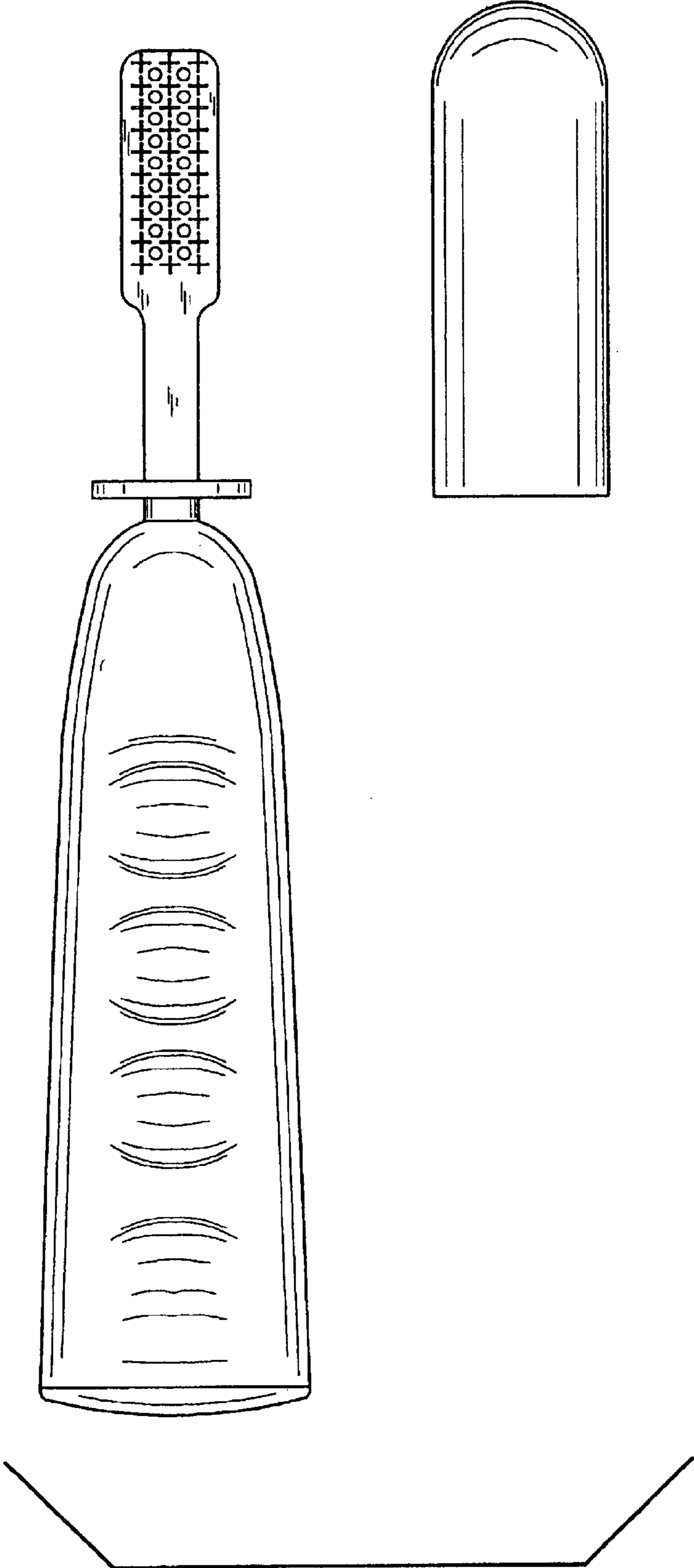


FIG. 2

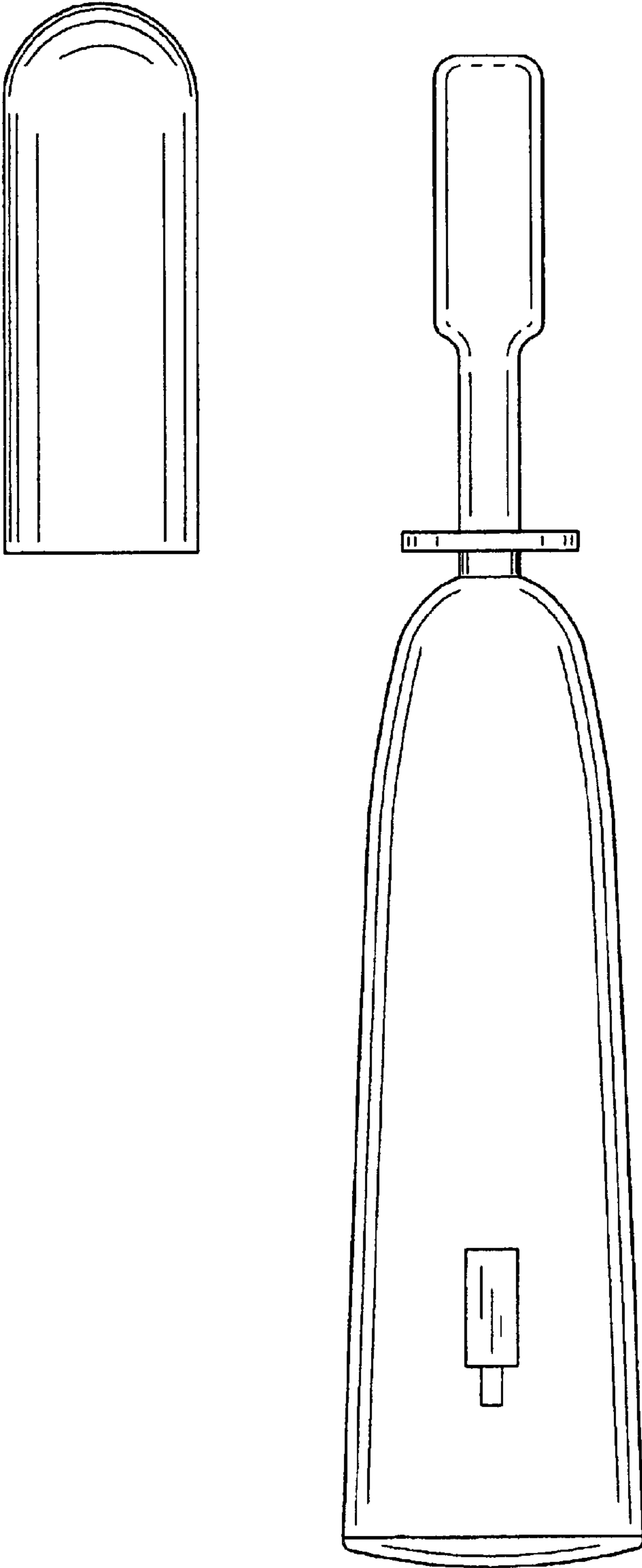


FIG. 3



FIG. 4

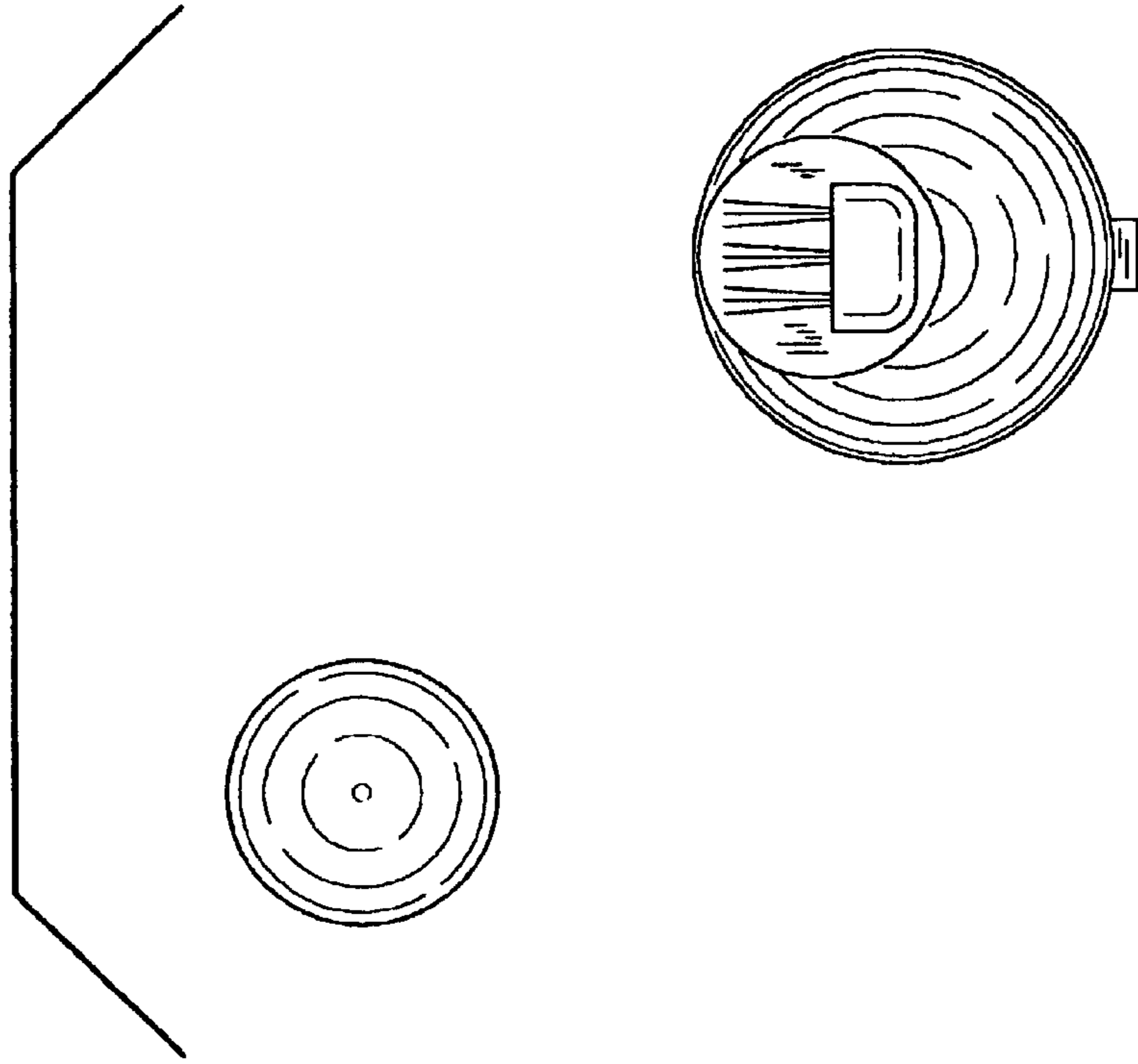
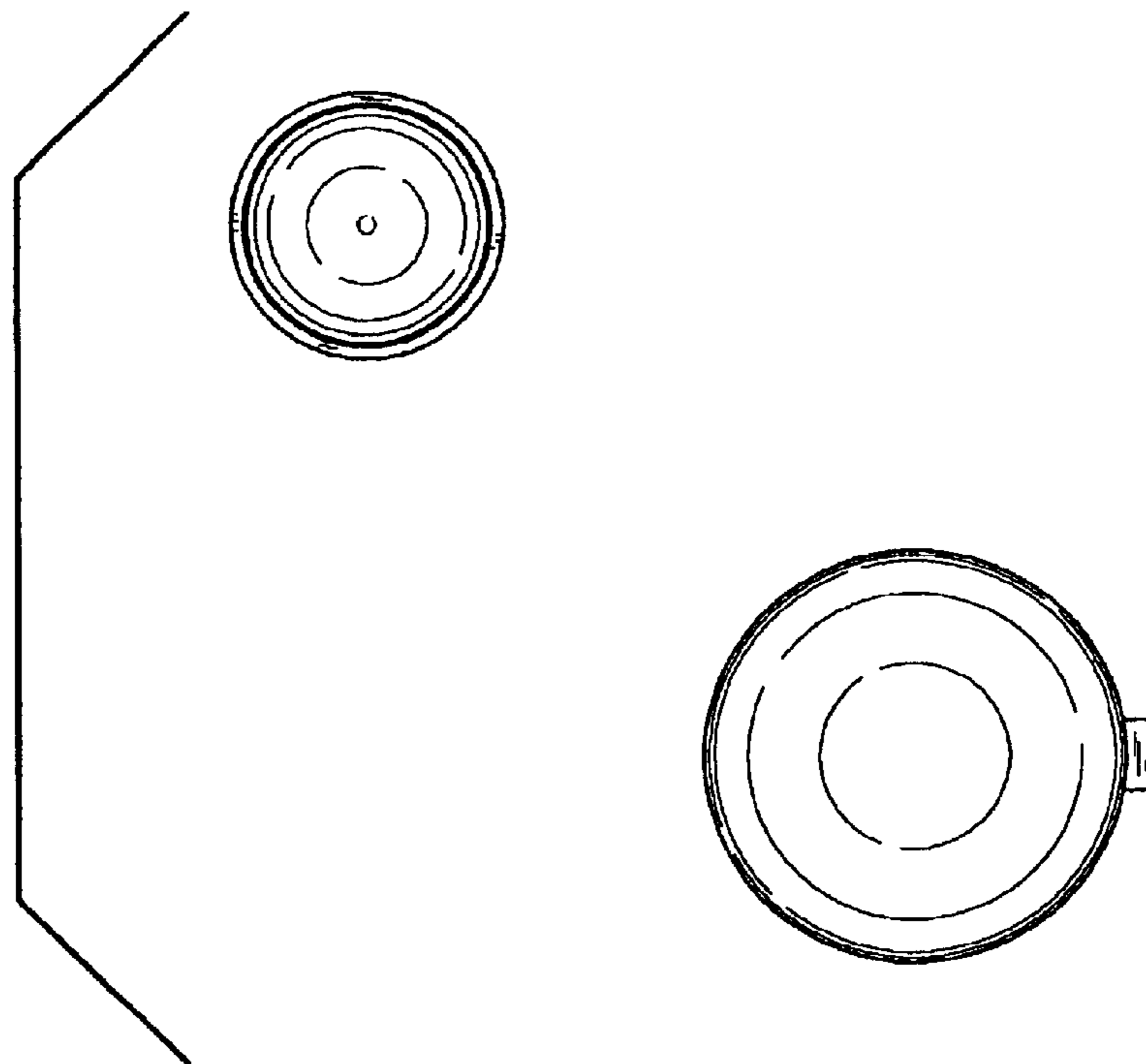


FIG. 5



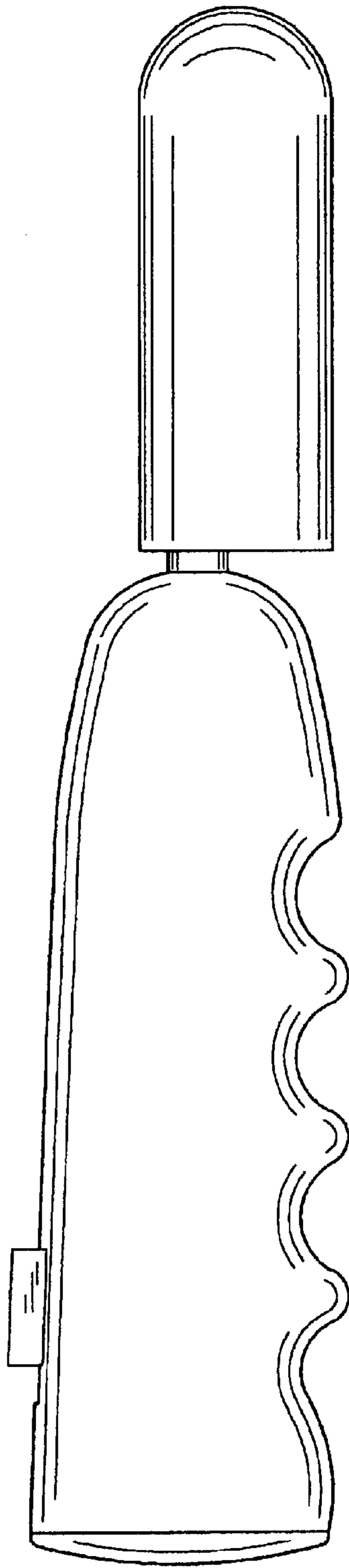


FIG. 6