

US00D504016S

(12) **United States Design Patent**
Cassegrain

(10) **Patent No.:** **US D504,016 S**

(45) **Date of Patent:** **** Apr. 19, 2005**

(54) **HANDBAG**

(76) **Inventor:** **Philippe Cassegrain**, 23 quai Anatole
France, 75007 Paris (FR)

(**) **Term:** **14 Years**

(21) **Appl. No.:** **29/209,453**

(22) **Filed:** **Jul. 16, 2004**

(51) **LOC (7) Cl.** **03-01**

(52) **U.S. Cl.** **D3/244**

(58) **Field of Search** D3/232, 233, 234,
D3/235, 236, 237, 238, 239, 240, 241,
242, 243, 244, 245, 246, 303, 315, 316,
902; 150/100, 104, 105, 107, 108, 110,
111, 112, 114, 115, 117, 121, 122, 900;
190/1, 100, 102, 103, 104, 105, 107, 109,
112, 113, 115, 117, 119, 900, 901, 902,
903; 383/2, 4, 6, 22, 24, 32, 71, 72, 76,
98, 907

(56) **References Cited**

U.S. PATENT DOCUMENTS

D170,346 S * 9/1953 Wolf D3/244
D183,712 S * 10/1958 Blalvas D3/303
D219,119 S * 11/1970 Marshall D3/244

D224,370 S * 7/1972 Berry D3/246
D358,706 S * 5/1995 Kopel D3/233
D380,609 S * 7/1997 Formby D3/232

* cited by examiner

Primary Examiner—Louis S. Zarfes

Assistant Examiner—Monica A Weingart

(74) *Attorney, Agent, or Firm*—Gottlieb, Rackman &
Reisman PC

(57) **CLAIM**

The ornamental design for a handbag, as shown and
described.

DESCRIPTION

FIG. 1 is a bottom plan view of a handbag showing my new
design.

FIG. 2 is a front elevation view thereof;

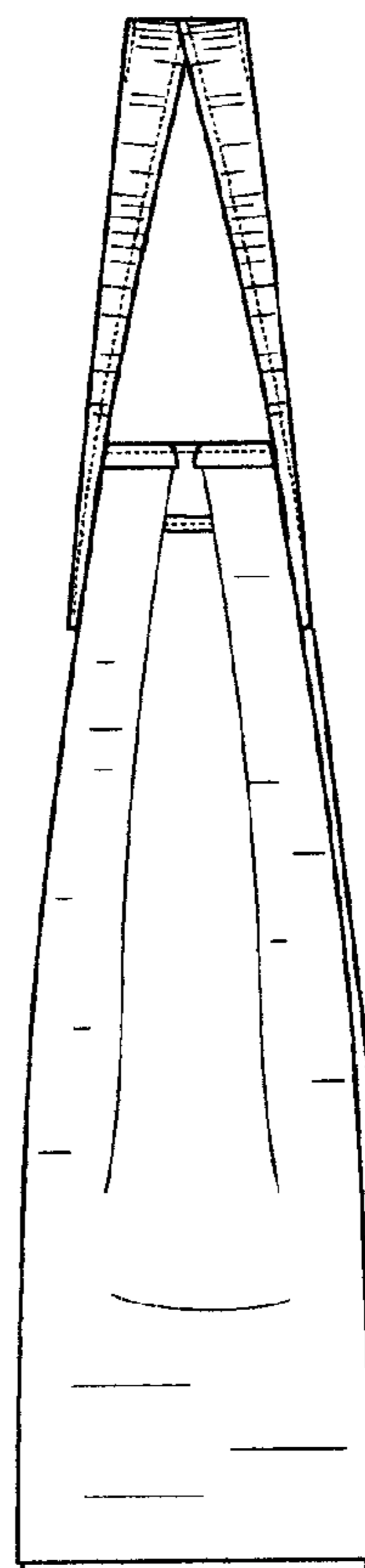
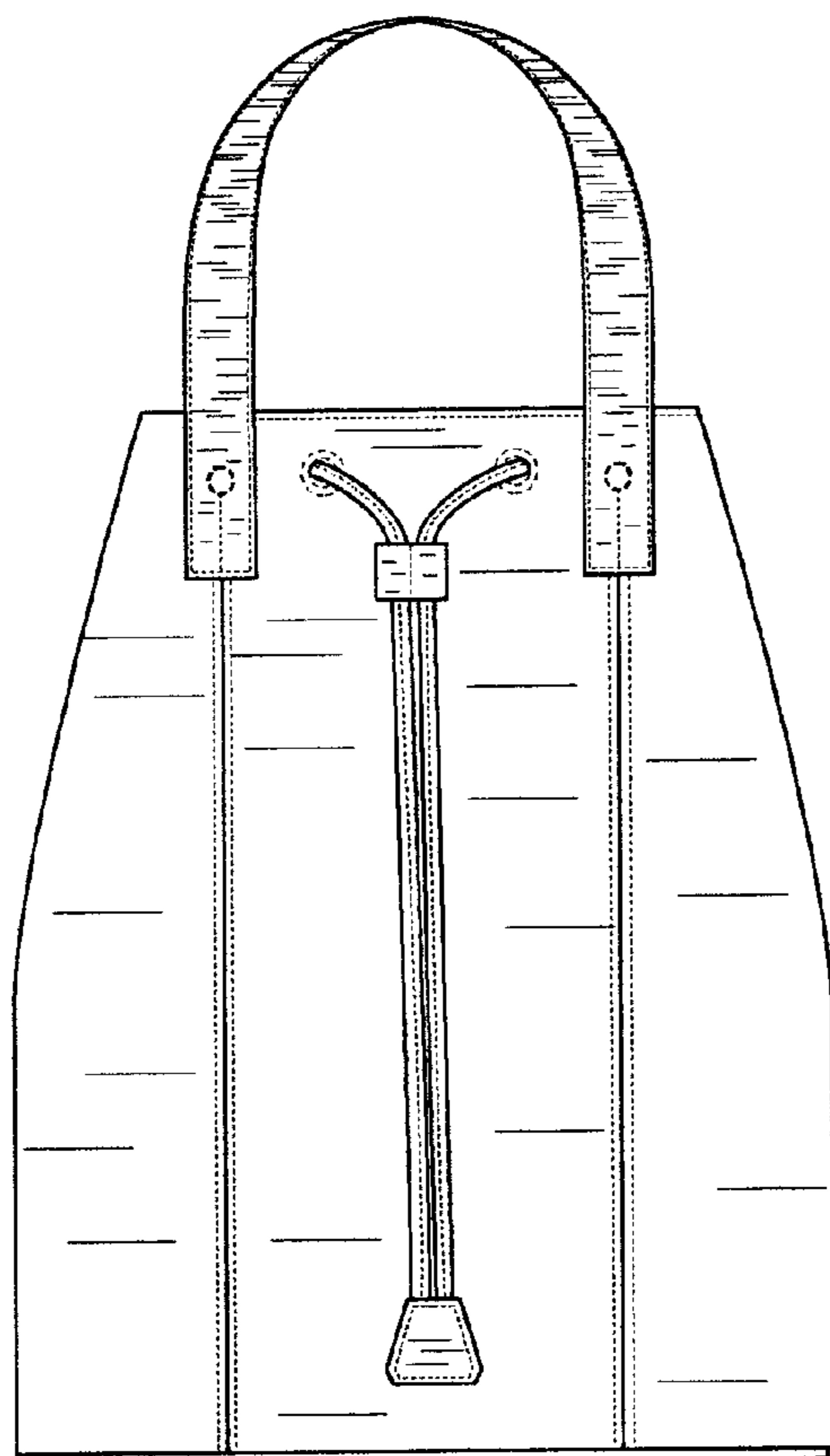
FIG. 3 is a left side elevation view thereof, the right side
elevation view being a mirror image thereof;

FIG. 4 is a top plan view thereof; and,

FIG. 5 is a rear elevation view thereof.

The broken line showing of stitching, in FIGS. 2–5, is for
illustrative purposes only and forms no part of the claimed
design.

1 Claim, 2 Drawing Sheets



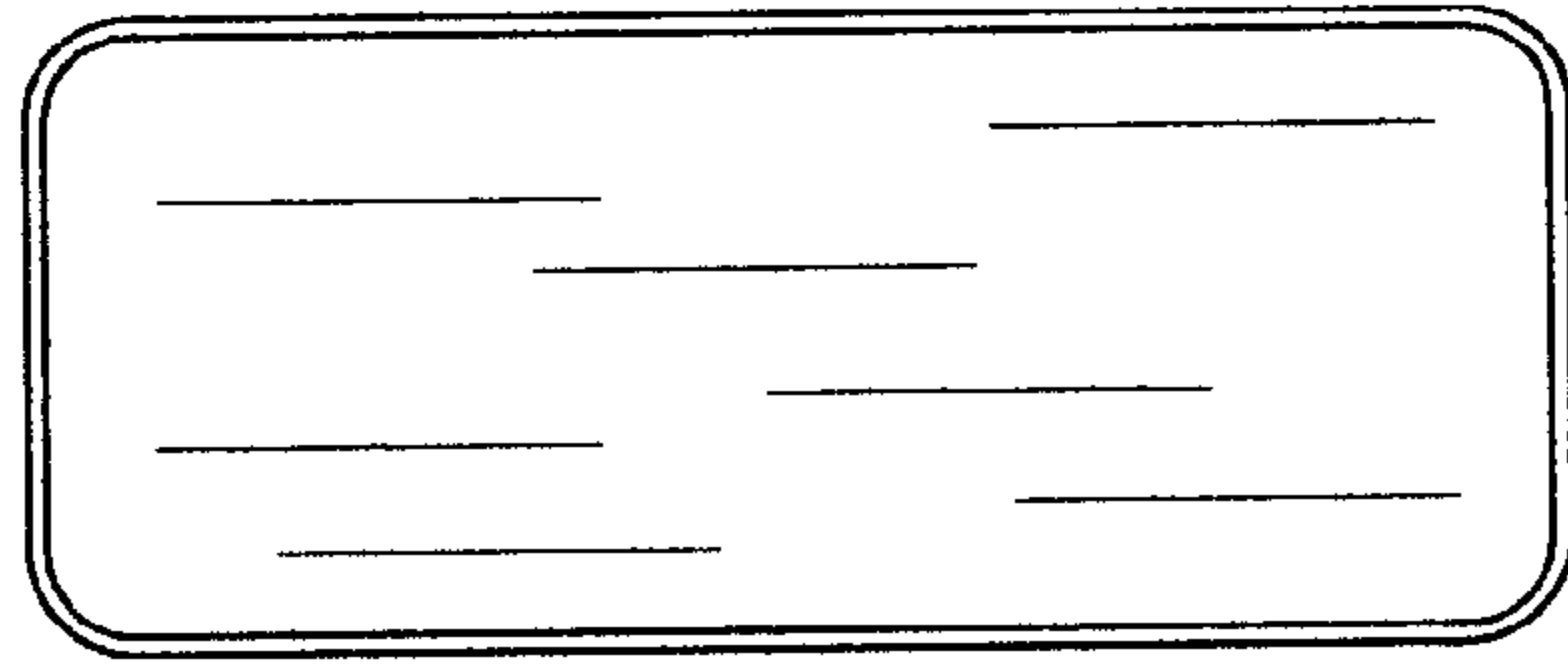


FIG. 1

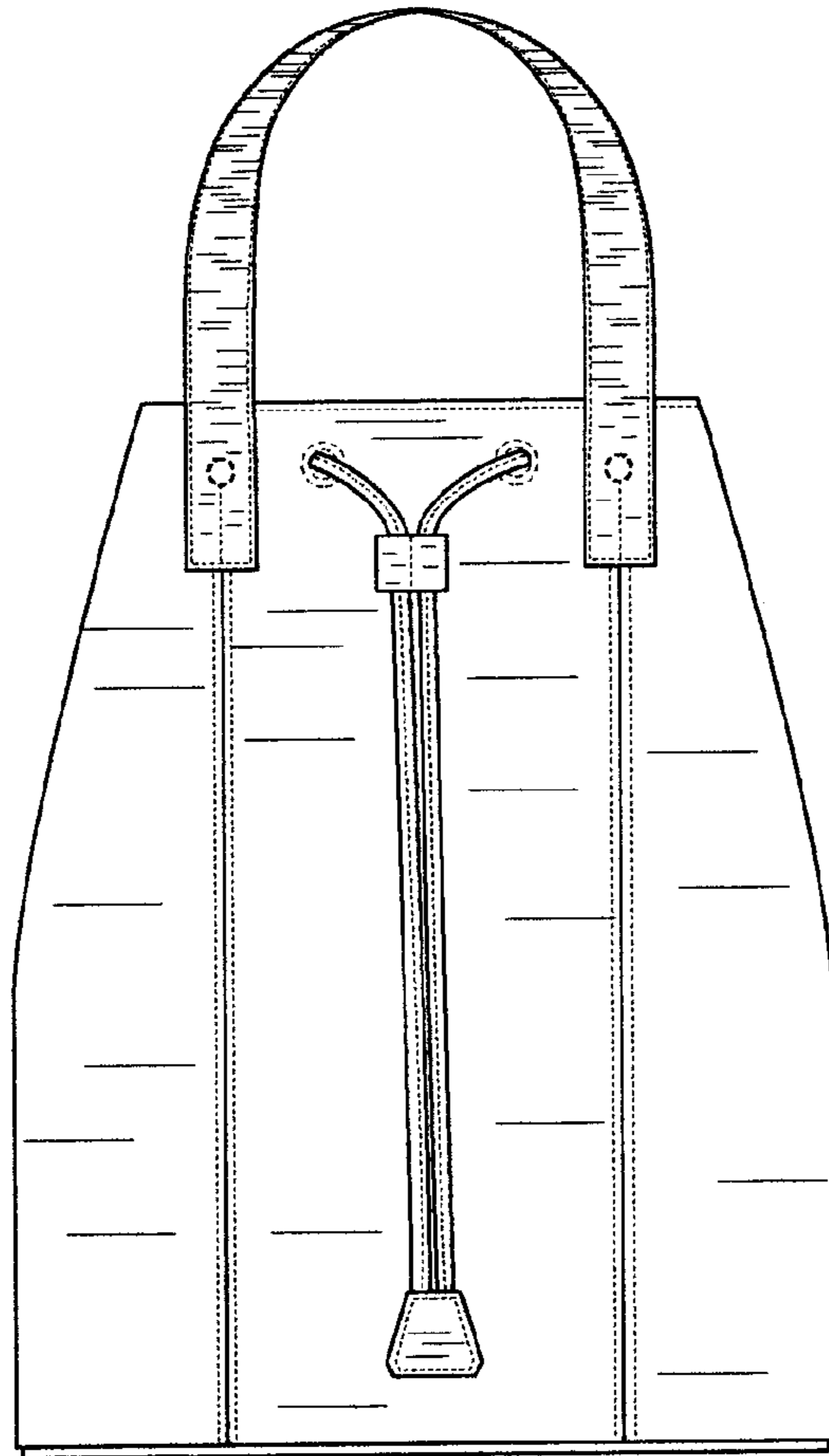


FIG. 2

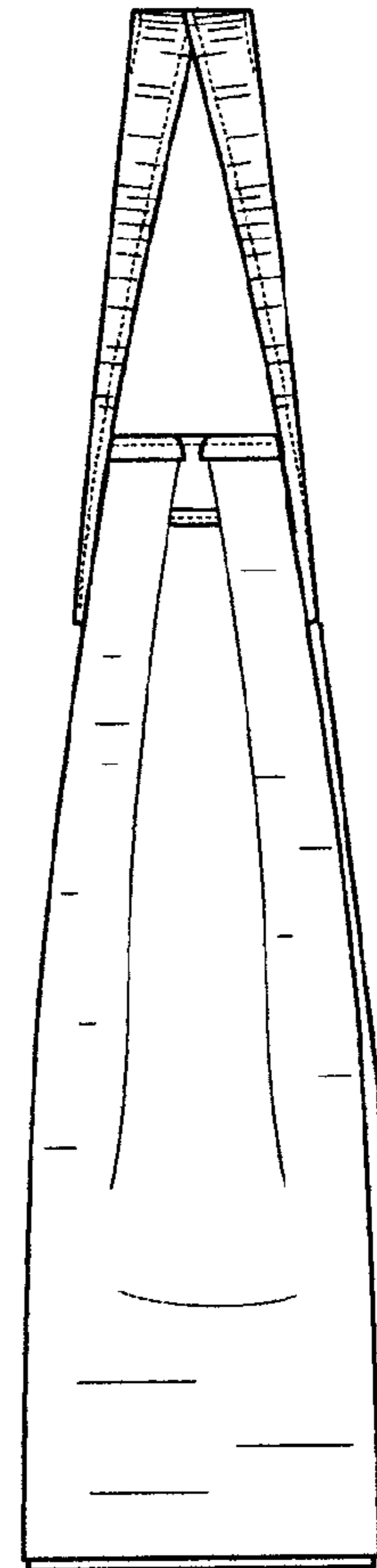


FIG. 3

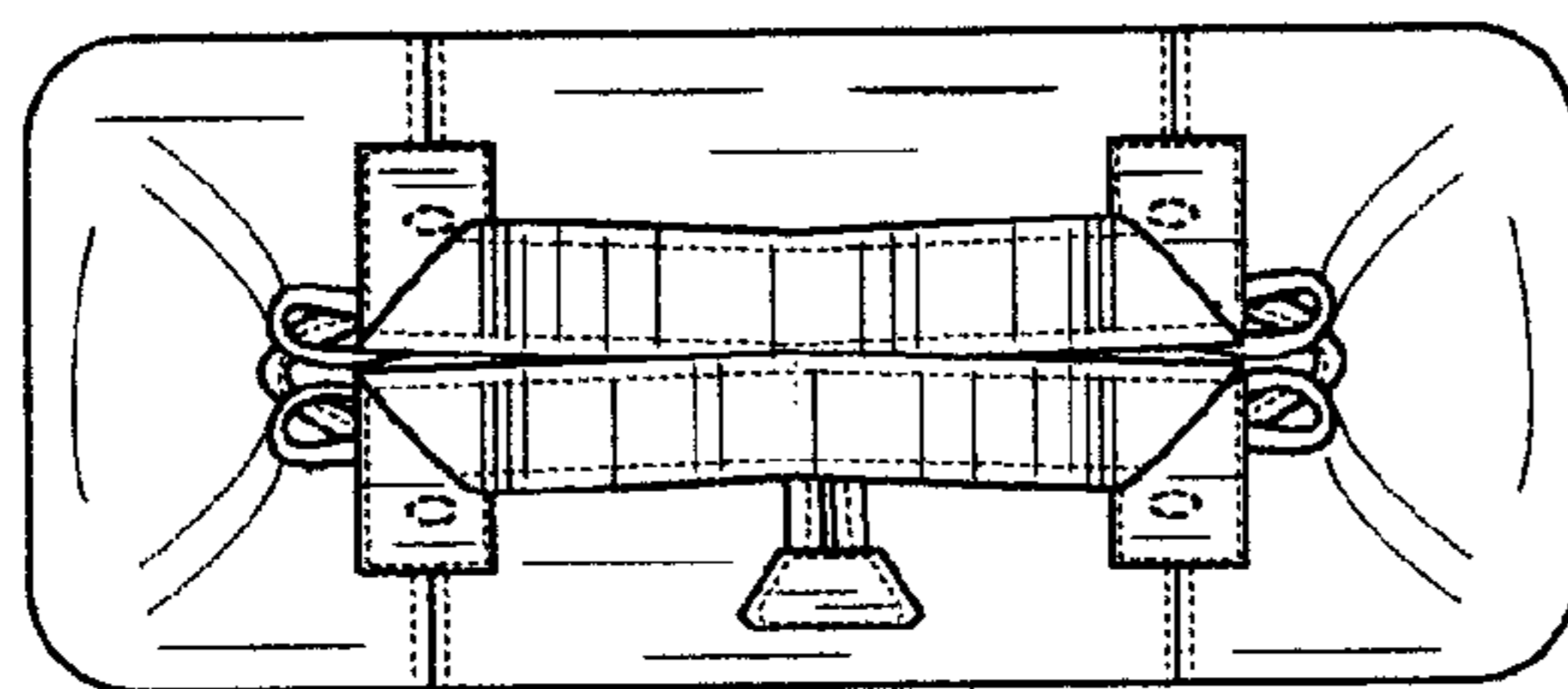


FIG. 4

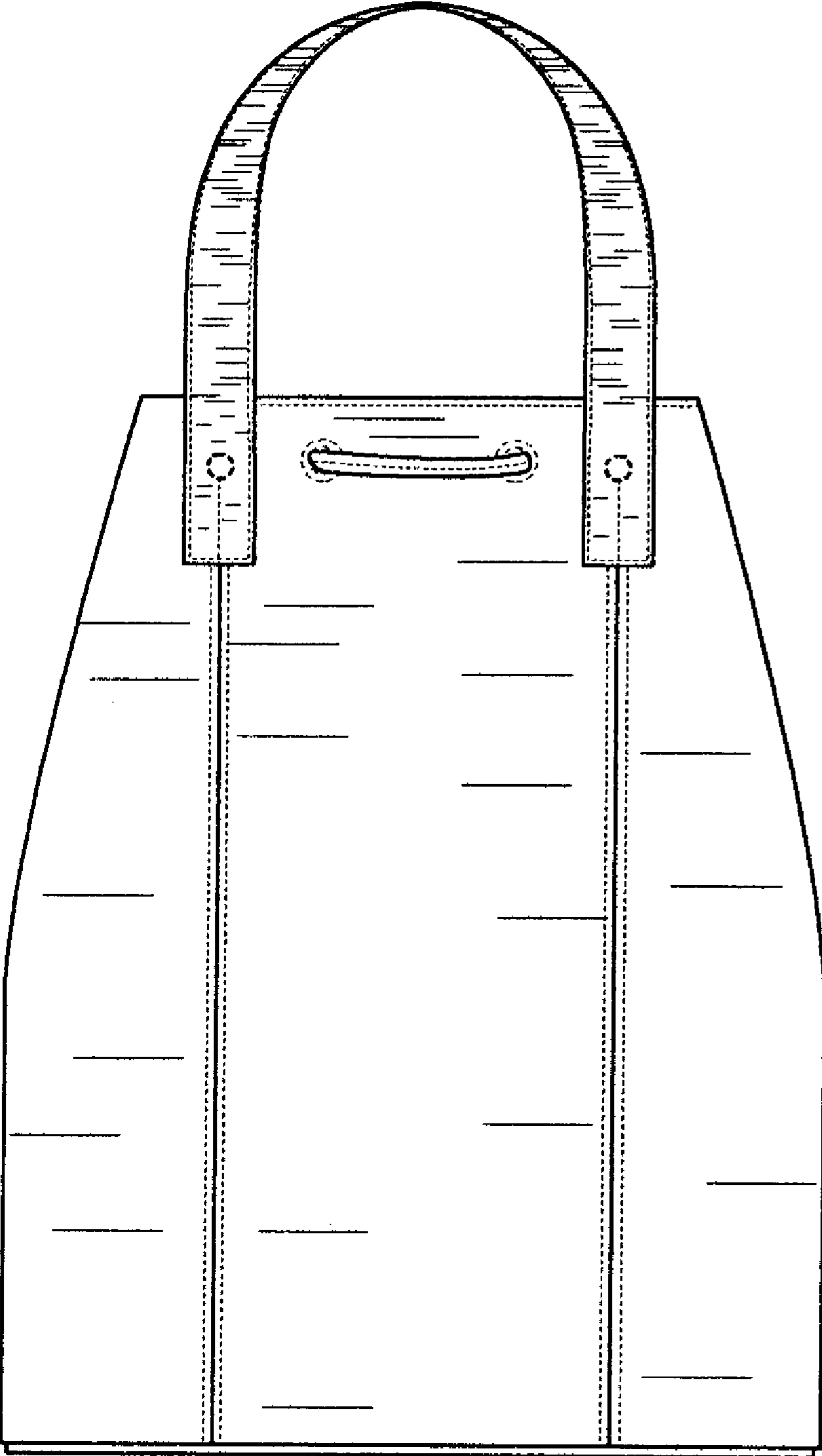


FIG. 5