

US00D504013S

(12) **United States Design Patent**
Carty

(10) **Patent No.:** **US D504,013 S**

(45) **Date of Patent:** **** Apr. 19, 2005**

(54) **MULTI POSITIONABLE IMPROVED EYEGLASS CASE—ONE HAND ACCESSIBLE**

(76) **Inventor:** **Walter F. Carty**, 654 School St., Lowell, MA (US) 01851

(**) **Term:** **14 Years**

(21) **Appl. No.:** **29/191,523**

(22) **Filed:** **Oct. 9, 2003**

(51) **LOC (7) Cl.** **03-01**

(52) **U.S. Cl.** **D3/219**

(58) **Field of Search** D3/219, 215, 226, D3/232, 263-266; 206/5, 5.1, 6; 248/902; 224/245

(56) **References Cited**

U.S. PATENT DOCUMENTS

2,184,408 A	*	12/1939	Bouchard	206/6
D309,676 S	*	8/1990	Alroy	D3/219
D332,872 S	*	2/1993	Seber	D3/219
D349,811 S	*	8/1994	Gibb	D3/266
D351,945 S	*	11/1994	Kopel	D3/265
D411,347 S	*	6/1999	Newcomer	D3/265

* cited by examiner

Primary Examiner—Catherine R. Oliver
(74) *Attorney, Agent, or Firm*—Pearson & Pearson, LLP

(57) **CLAIM**

The ornamental design for the multi positionable improved eyeglass case—one hand accessible, as shown and described.

DESCRIPTION

FIG. 1 is a front perspective view of the multi positionable improved eyeglass case—one hand accessible showing my new design;

FIG. 2 is a front elevational view of the multi positionable improved eyeglass case—one hand accessible thereof;

FIG. 3 is a rear elevational view of the multi positionable improved eyeglass case—one hand accessible thereof;

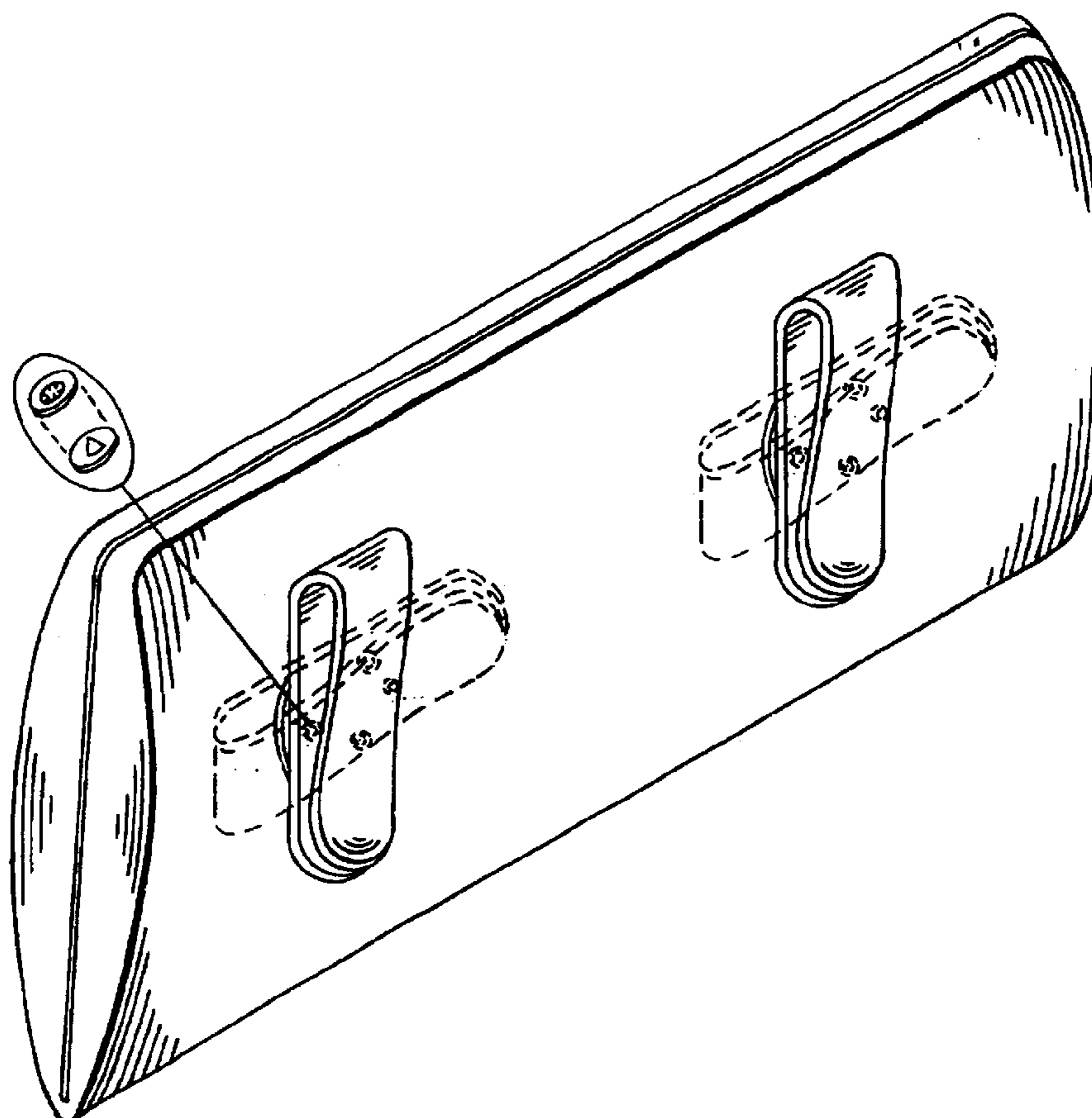
FIG. 4 is a right side elevational view of the multi positionable improved eyeglass case—one hand accessible thereof;

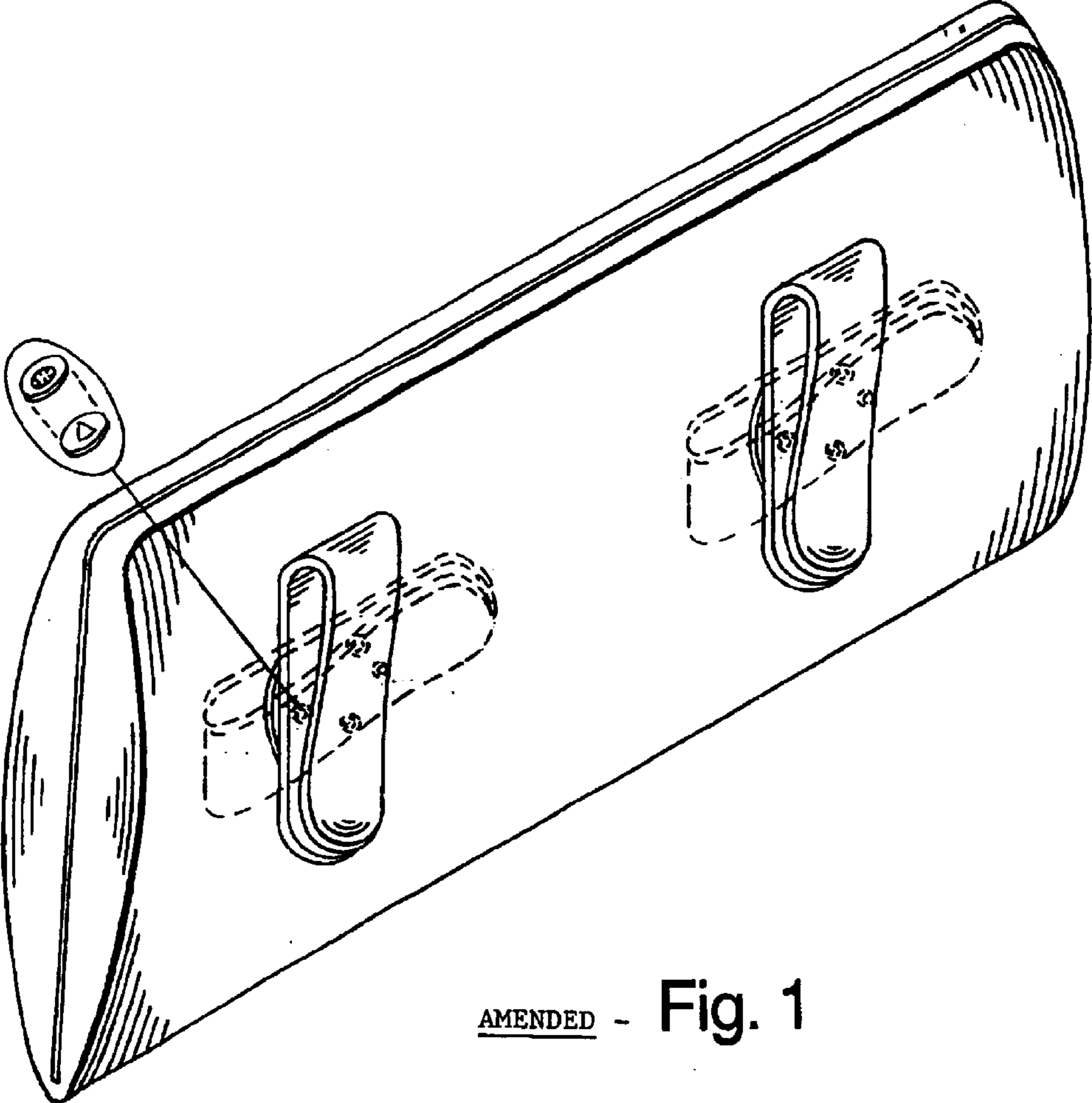
FIG. 5 is a left side elevational view of the multi positionable improved eyeglass case—one hand accessible thereof;

FIG. 6 is a top plan view of the multi positionable improved eyeglass case—one hand accessible thereof; and,

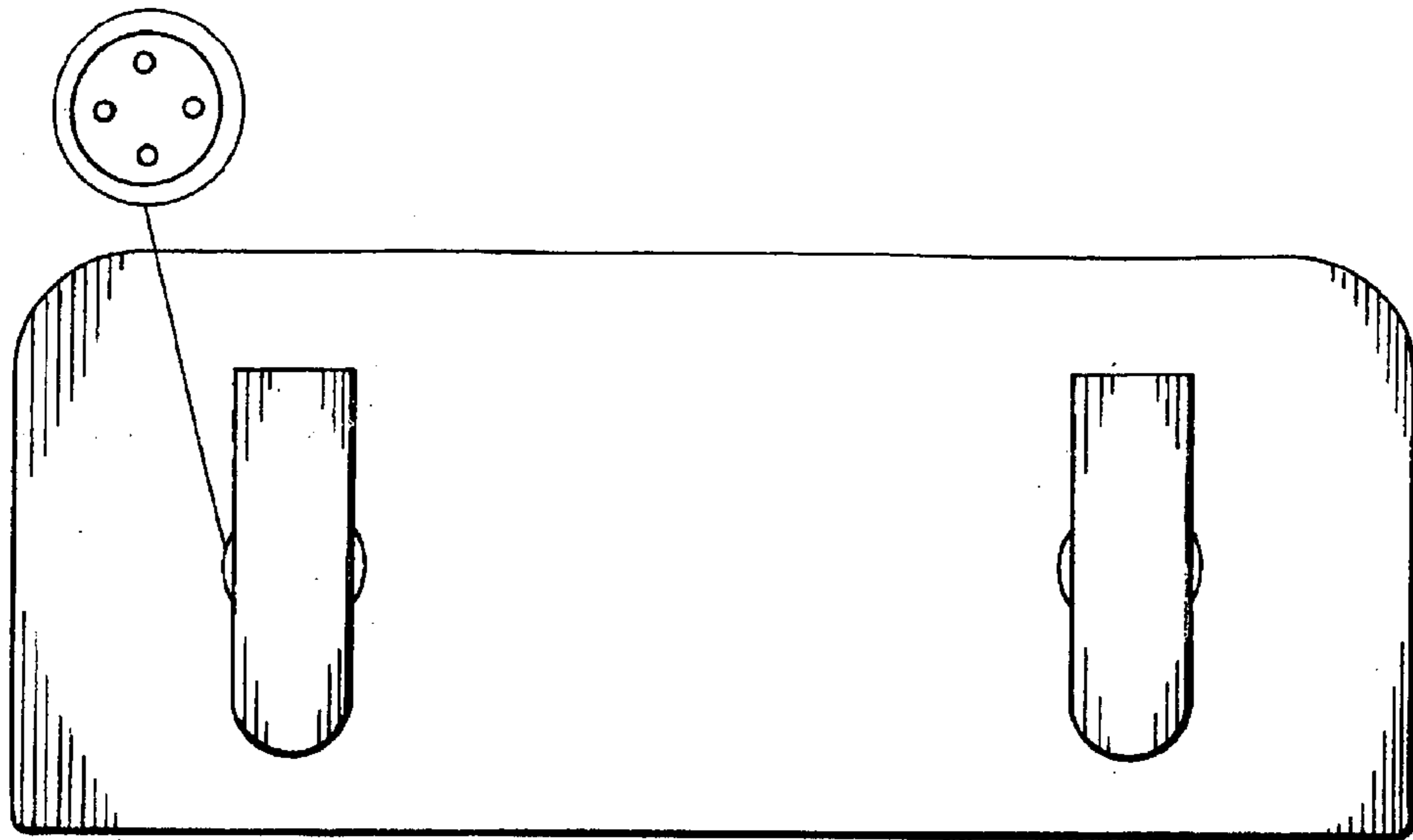
FIG. 7 is a bottom plan view of the multi positionable improved eyeglass case—one hand accessible thereof.

1 Claim, 3 Drawing Sheets

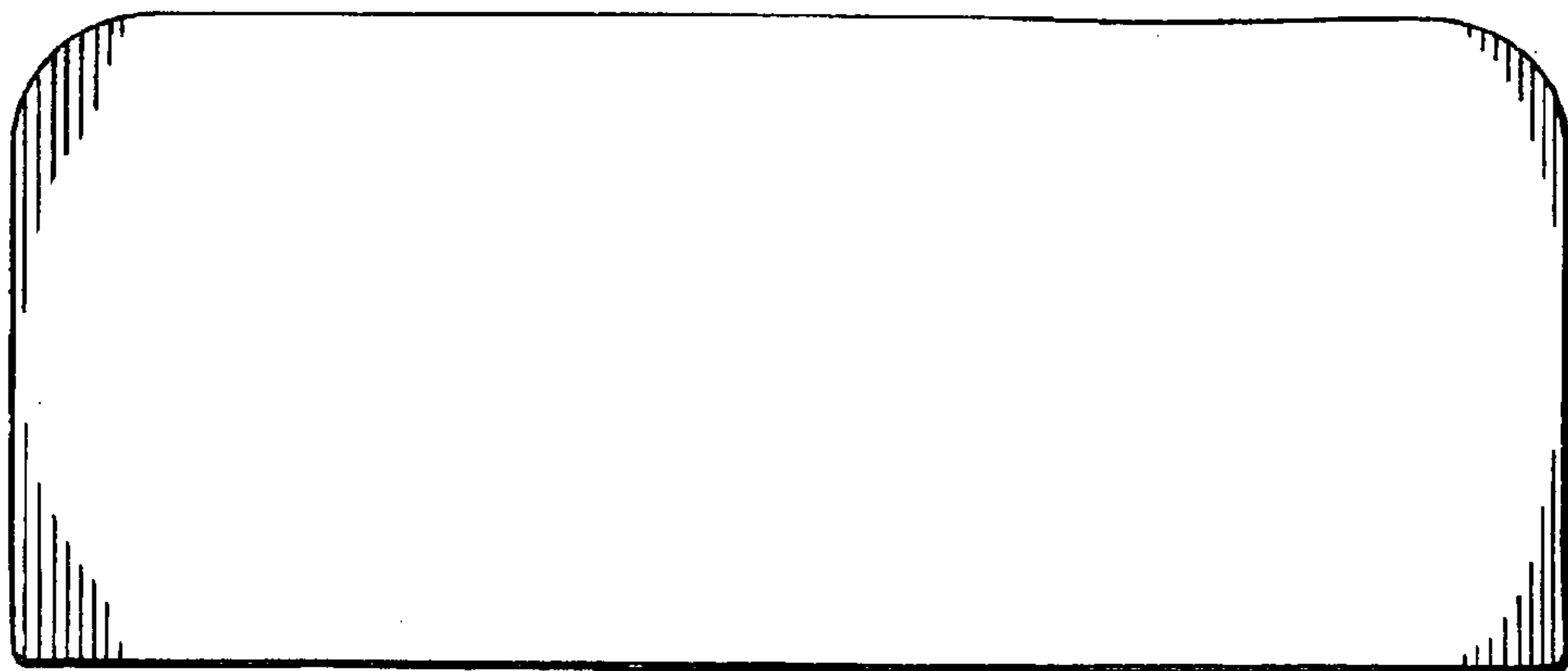




AMENDED - Fig. 1



AMENDED - Fig. 2



AMENDED - Fig. 3

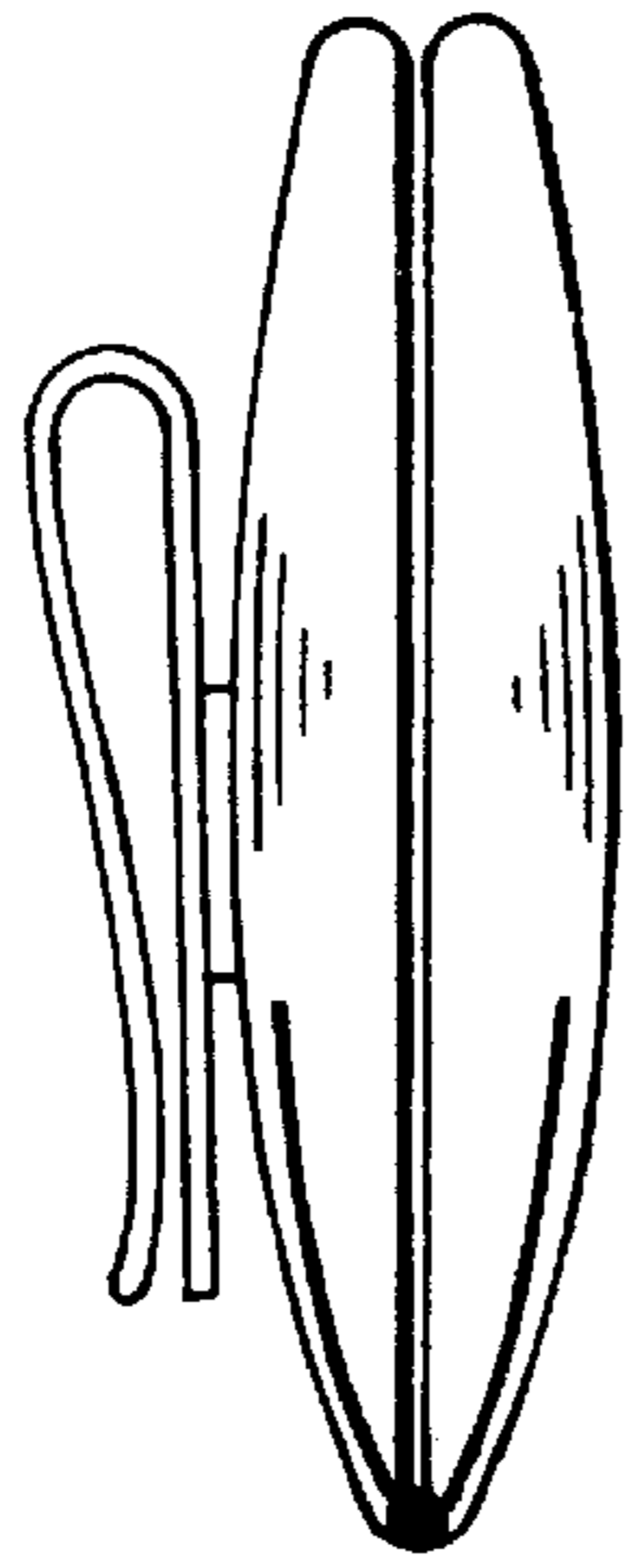


Fig. 4

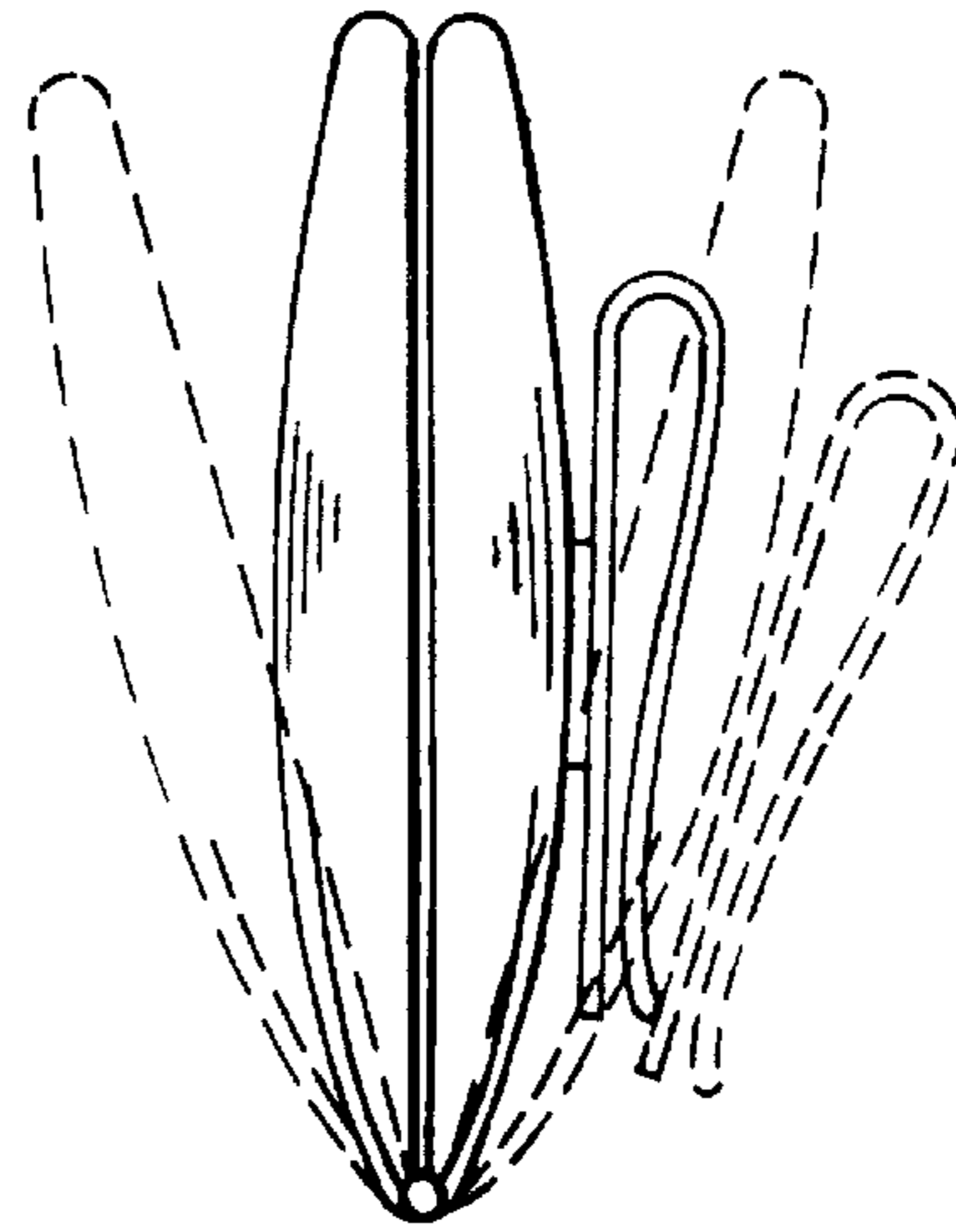
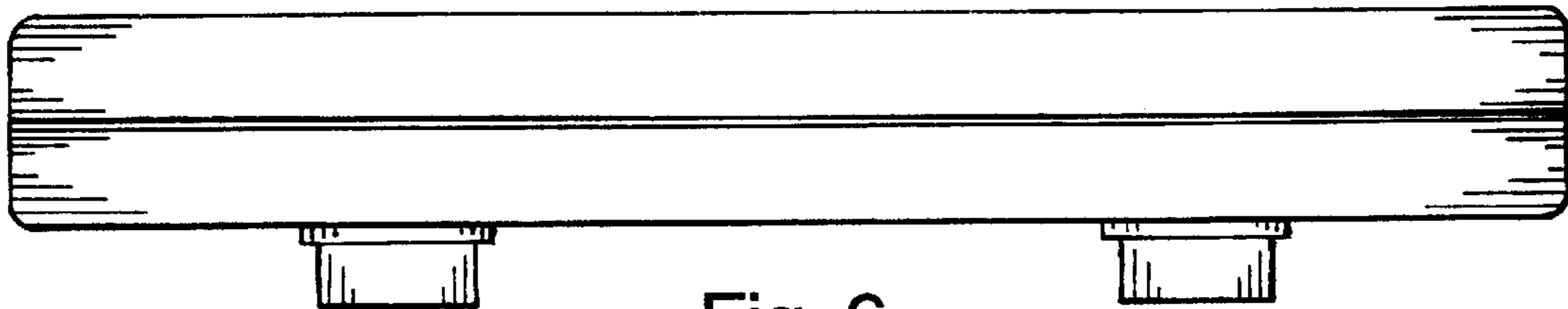
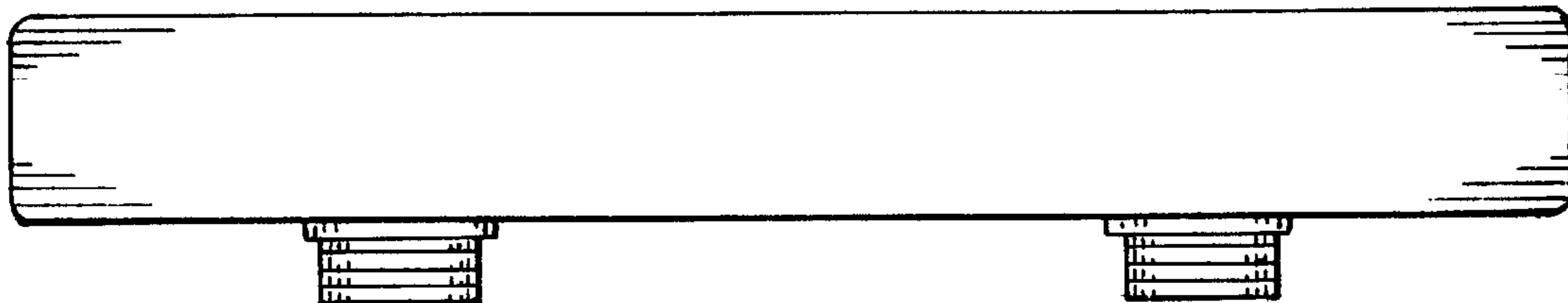


Fig. 5



AMENDED - Fig. 6



AMENDED - Fig. 7