

US00D504006S

(12) **United States Design Patent**
McClaskie

(10) **Patent No.:** **US D504,006 S**
(45) **Date of Patent:** **** Apr. 19, 2005**

(54) **OUTSOLE FOR A SHOE**

(75) **Inventor:** **Thomas E. McClaskie**, Bethlehem, PA
(US)

(73) **Assignee:** **Columbia Insurance Company**,
Omaha, NE (US)

(**) **Term:** **14 Years**

(21) **Appl. No.:** **29/185,229**

(22) **Filed:** **Jun. 25, 2003**

(51) **LOC (7) Cl.** **02-04**

(52) **U.S. Cl.** **D2/953; D2/954**

(58) **Field of Search** D2/947, 949, 951,
D2/953-960; 36/3 B, 22 R, 24.5, 25 R,
32 A, 32 R, 103, 104, 117.3, 117.4

(56) **References Cited**

U.S. PATENT DOCUMENTS

D76,541 S	*	10/1928	Hopwood	
D291,945 S	*	9/1987	Kelley et al.	D2/954
D294,769 S	*	3/1988	Liggett et al.	D2/955
D298,483 S	*	11/1988	Liggett et al.	D2/954
D339,907 S	*	10/1993	Banik	D2/956
D356,670 S	*	3/1995	Mitsui et al.	D2/956
D388,597 S	*	1/1998	Gavigan	D2/960
D399,041 S	*	10/1998	Teague	D2/954
D407,541 S	*	4/1999	Kittle et al.	D2/959
D442,358 S	*	5/2001	Nason	D2/960
D459,064 S	*	6/2002	McClaskie	D2/957

D460,249 S	*	7/2002	Yang	D2/959
D461,298 S	*	8/2002	Urie et al.	D2/955
D467,061 S	*	12/2002	Della Valle	D2/954
D471,347 S	*	3/2003	Haas et al.	D2/953
D474,584 S	*	5/2003	Matis	D2/953

* cited by examiner

Primary Examiner—Celia A. Murphy

(74) *Attorney, Agent, or Firm*—St. Onge Steward Johnston
& Reens LLC

(57) **CLAIM**

I claim the ornamental design for outsole for a shoe, as shown and described in the drawings.

DESCRIPTION

FIG. 1 is a bottom view of an outsole for a shoe in accordance with the new design;

FIG. 2 is a right view of the outsole for a shoe shown in FIG. 1;

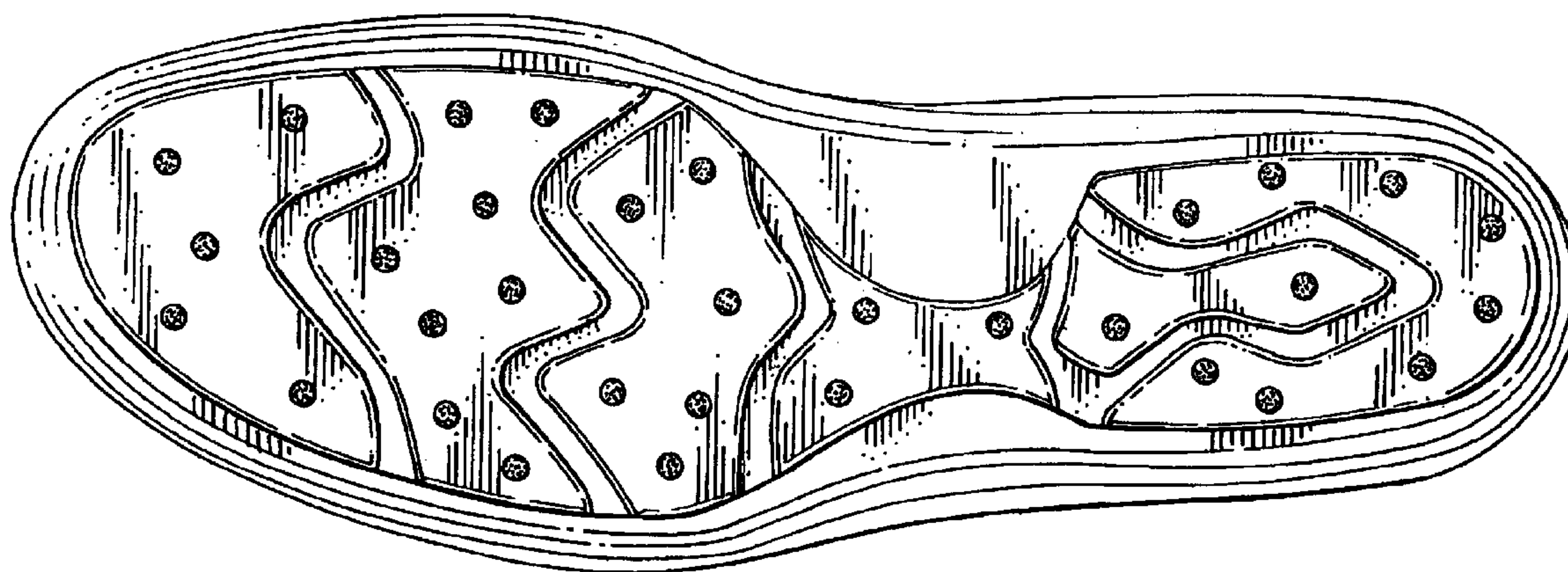
FIG. 3 is a left view of the outsole for the shoe shown in FIGS. 1-2;

FIG. 4 is a front view of the outsole for a shoe shown in FIGS. 1-3; and,

FIG. 5 is a rear view of the outsole for a shoe shown in FIGS. 1-4.

The broken line showing a shoe upper throughout the views, illustrates the portion of the design that forms no part of the claim.

1 Claim, 4 Drawing Sheets



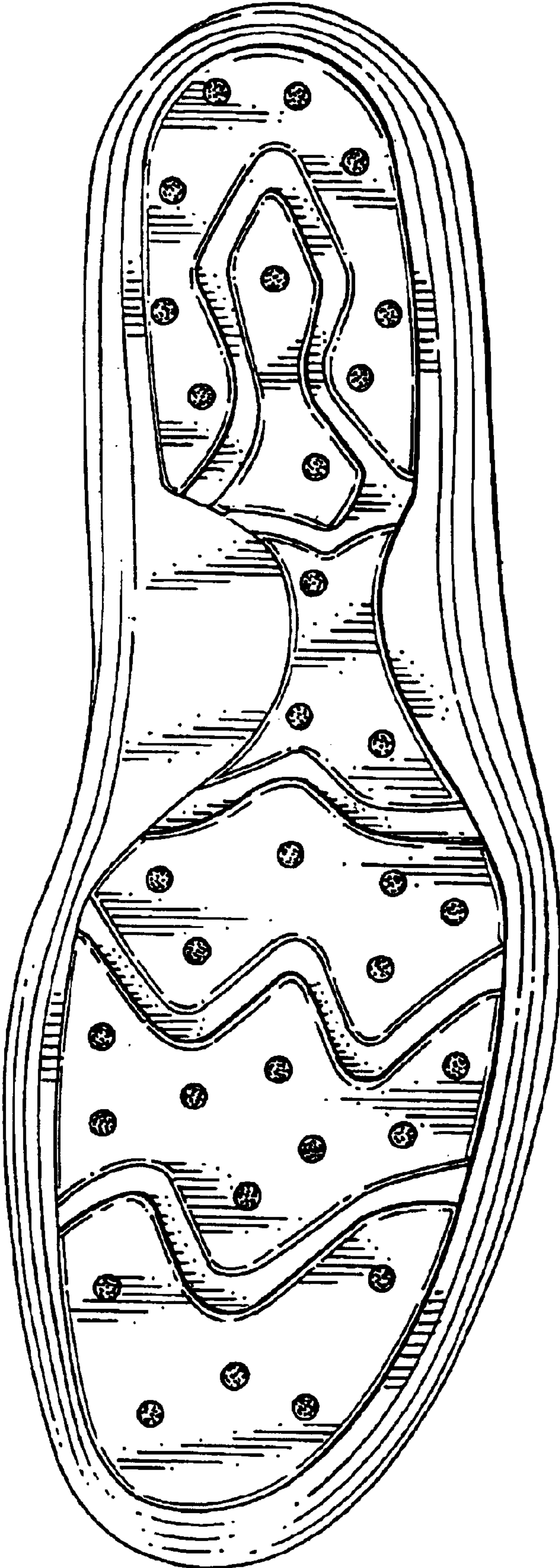


FIG. 1

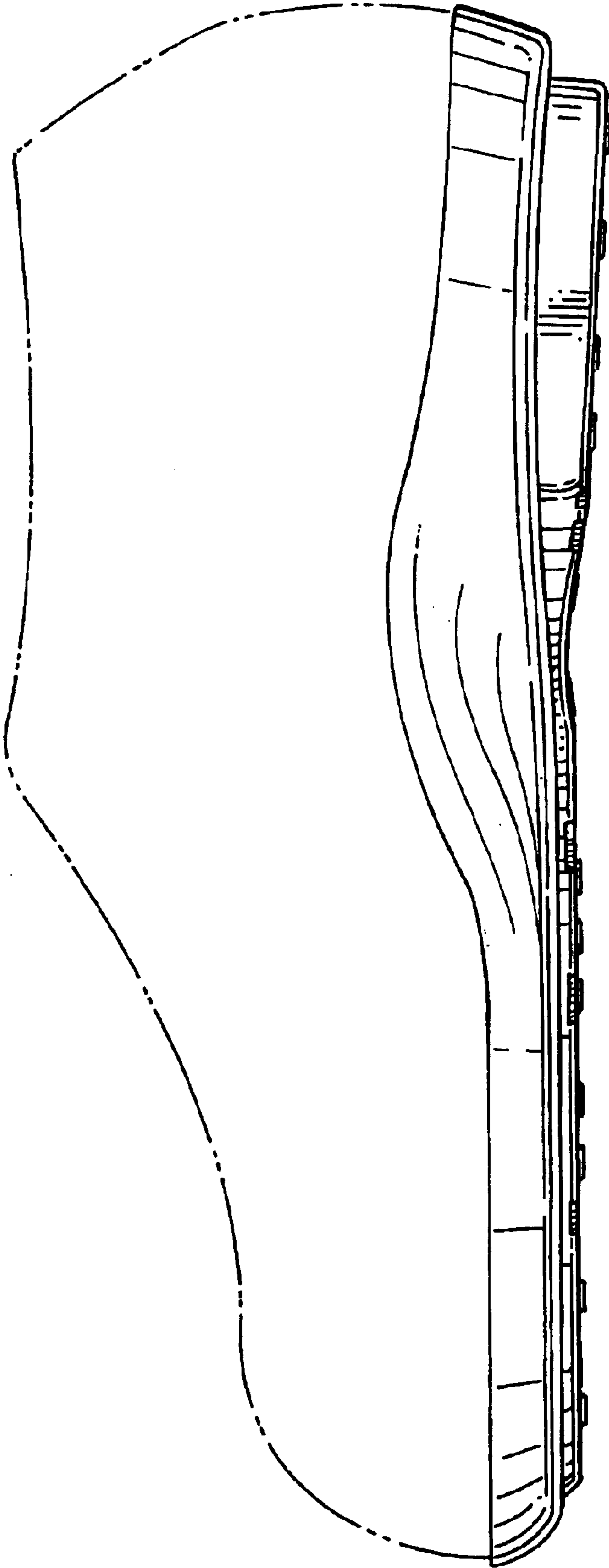


FIG. 2

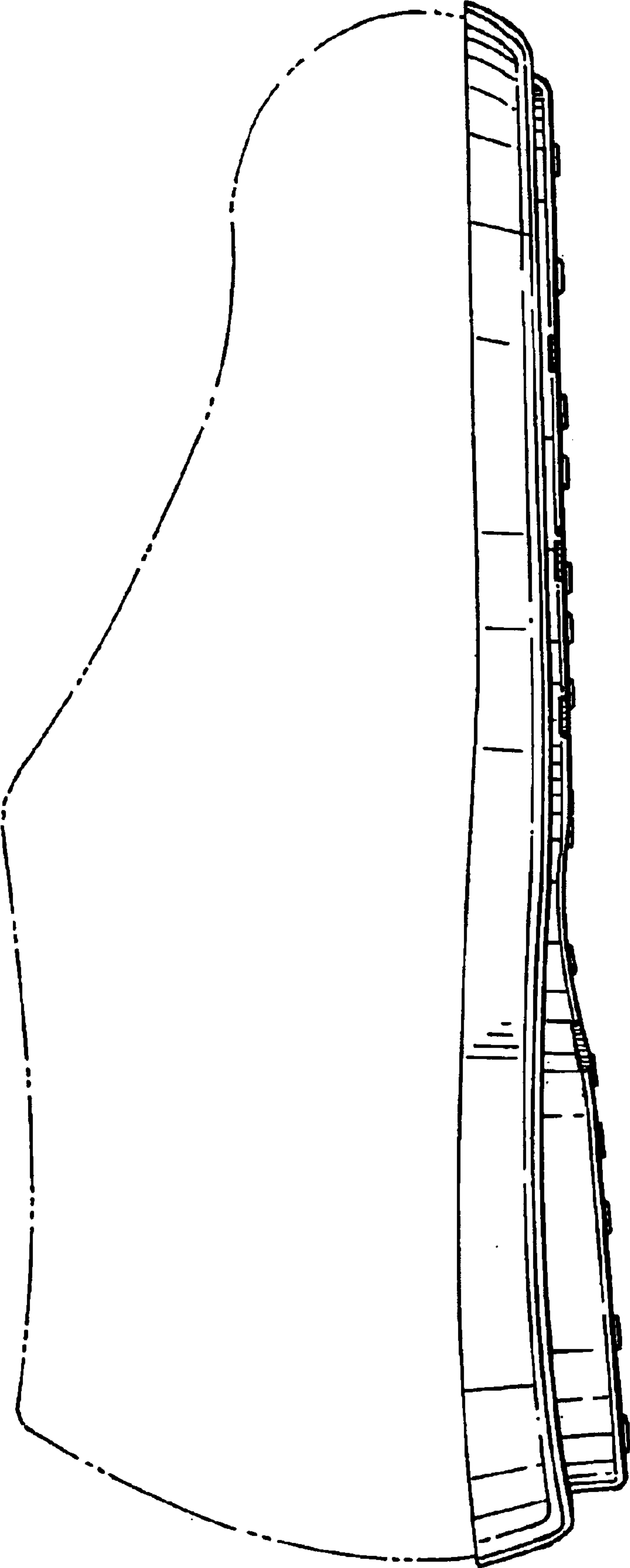


FIG. 3

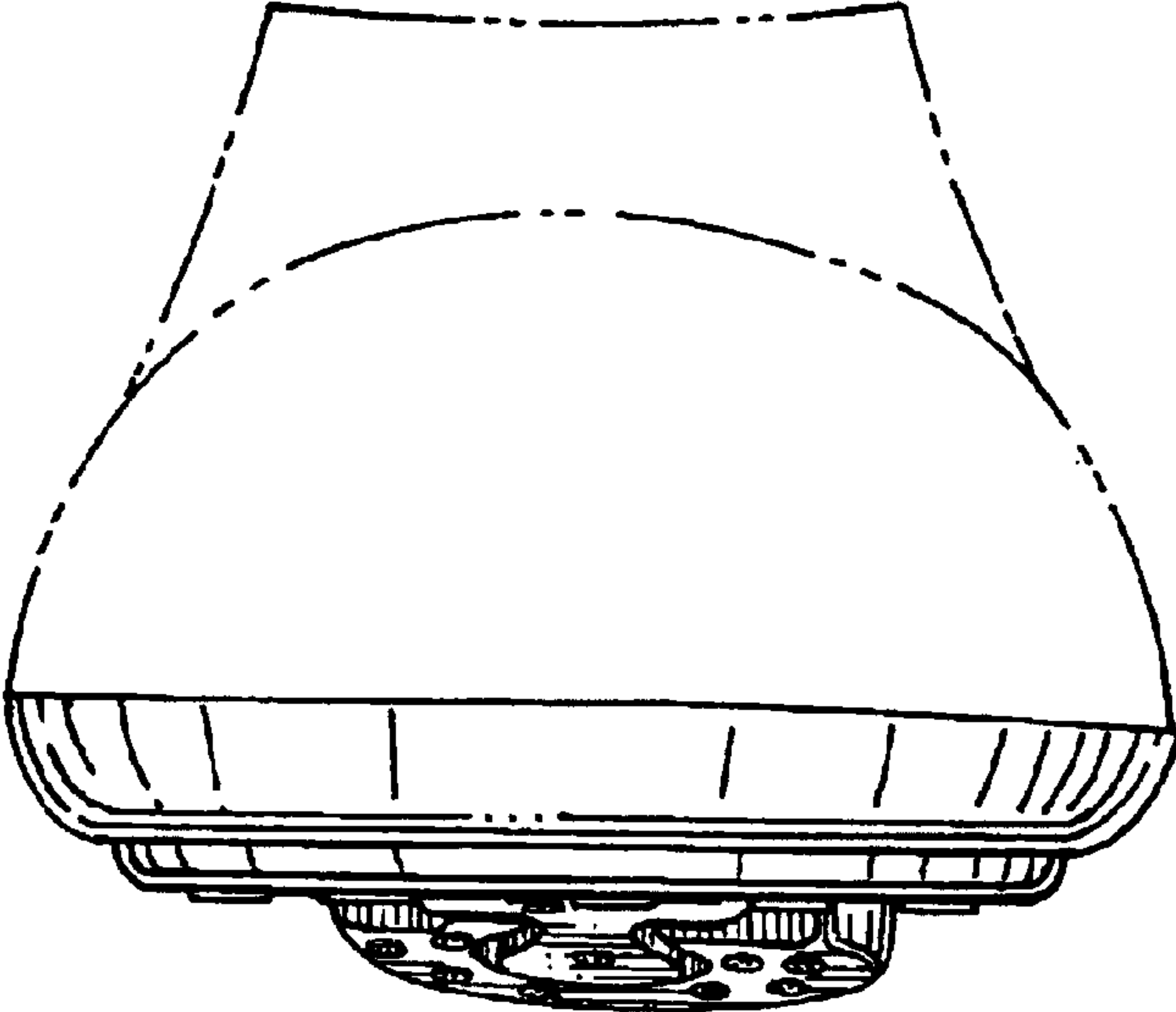


FIG. 4

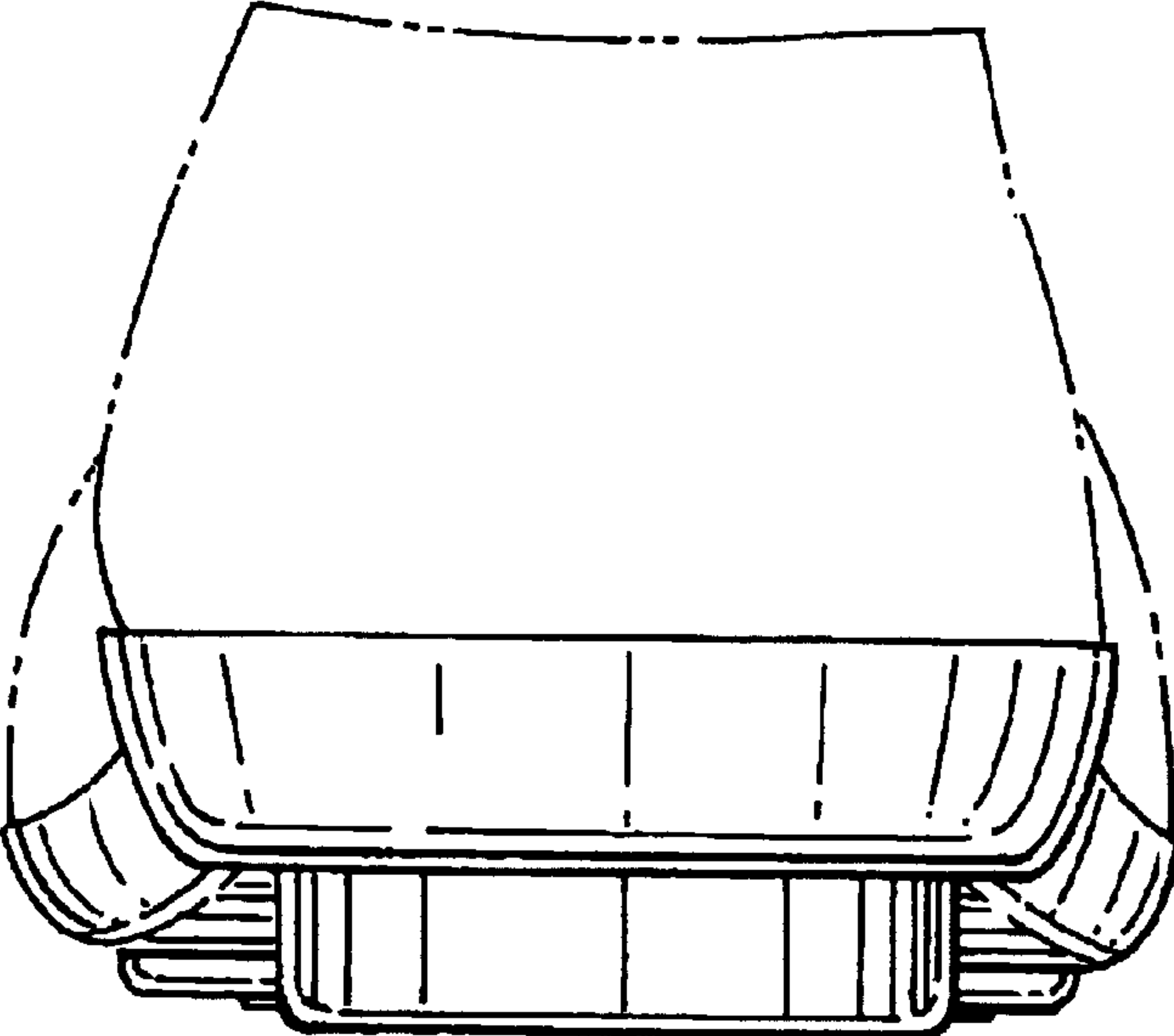


FIG. 5