

US00D504000S

(12) **United States Design Patent**
Underbrink et al.

(10) **Patent No.:** **US D504,000 S**
(45) **Date of Patent:** **** Apr. 12, 2005**

(54) **PORTABLE SINK WITH FOLDABLE FAUCET**

D426,691 S * 6/2000 Johnson et al. D34/21
6,131,929 A * 10/2000 Haley 280/47.34

(75) Inventors: **John Underbrink**, Richardson, TX (US); **Peter C. Hill**, Plano, TX (US)

* cited by examiner

Primary Examiner—Kay H. Chin

(73) Assignee: **Today's Gear, Inc.**, Edina, MN (US)

(74) *Attorney, Agent, or Firm*—Briggs and Morgan, P.A.

(**) Term: **14 Years**

(57) **CLAIM**

The ornamental design for a portable sink with foldable faucet, as shown and described.

(21) Appl. No.: **29/188,011**

(22) Filed: **Aug. 11, 2003**

DESCRIPTION

(51) **LOC (7) Cl.** **12-02**

(52) **U.S. Cl.** **D34/21; D34/14; D23/286**

(58) **Field of Search** D34/12-27; D23/284, D23/287, 290, 286, 291, 293.1; D6/480-481, 399, 438, 445; 312/71, 116, 140.1, 223.1; 280/47.19, 47.26, 47.34, 47.35; 248/174, 176.1; 211/135, 153, 186, 190, 194, 80

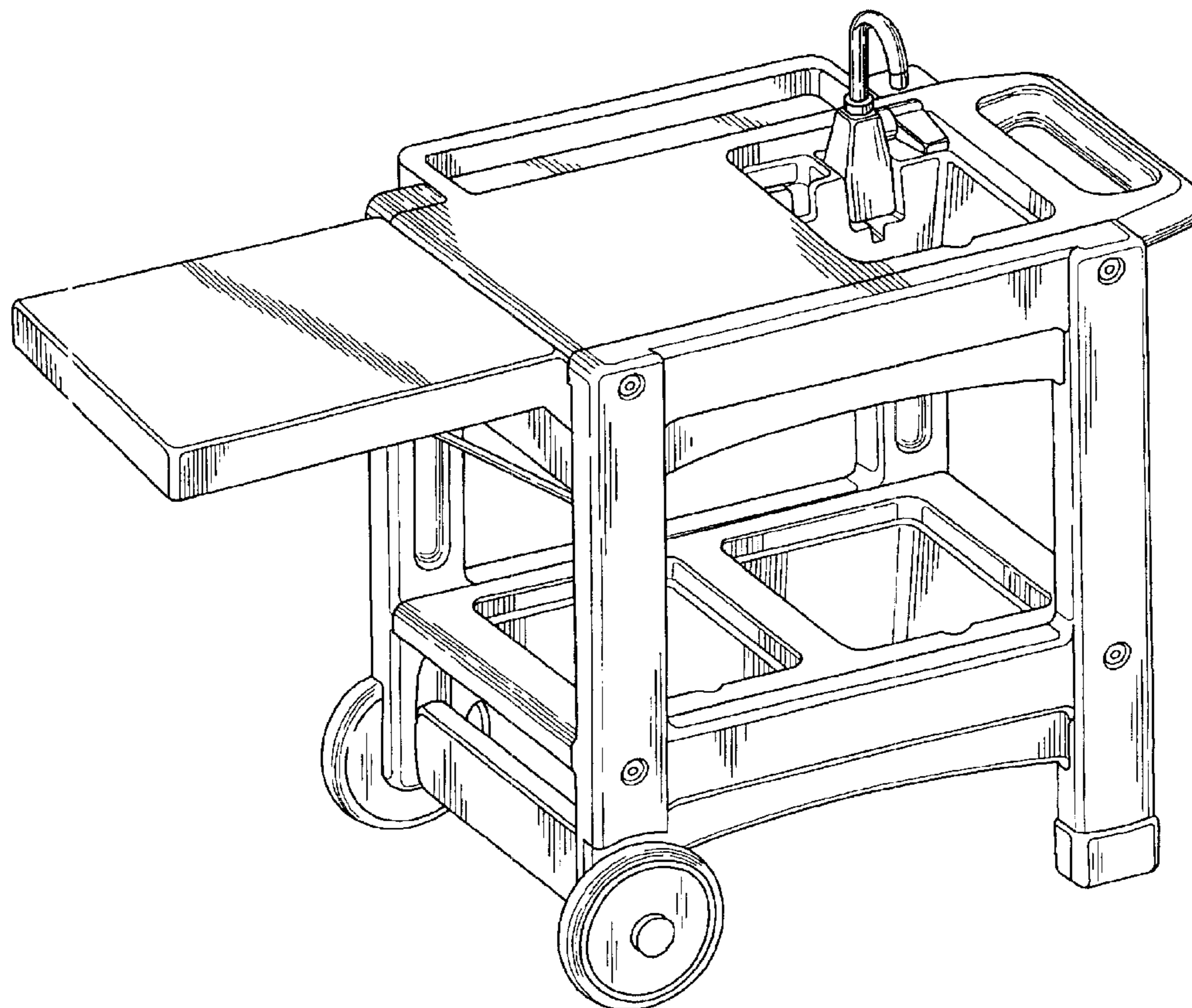
FIG. 1 is a front and left side perspective view of a portable sink with foldable faucet showing our new design;
FIG. 2 is a front elevation view thereof;
FIG. 3 is a rear elevation view thereof;
FIG. 4 is a right side elevation view thereof;
FIG. 5 is a left side elevation view thereof;
FIG. 6 is a top plan view thereof;
FIG. 7 is a bottom plan view thereof;
FIG. 8 is a front and left side perspective view thereof showing the faucet folded;
FIG. 9 is a top plan view thereof showing the sink covered; and,
FIG. 10 is a front and left side perspective view thereof showing the faucet and shelf folded.

(56) **References Cited**

U.S. PATENT DOCUMENTS

- 3,993,376 A * 11/1976 Meldahl 312/228
- 4,305,166 A * 12/1981 Rose 4/631
- D343,212 S * 1/1994 Orton D21/566
- 5,349,708 A * 9/1994 Lee 4/638
- D403,826 S * 1/1999 Tisbo et al. D34/24
- D406,431 S * 3/1999 Tisbo et al. D34/20

1 Claim, 7 Drawing Sheets



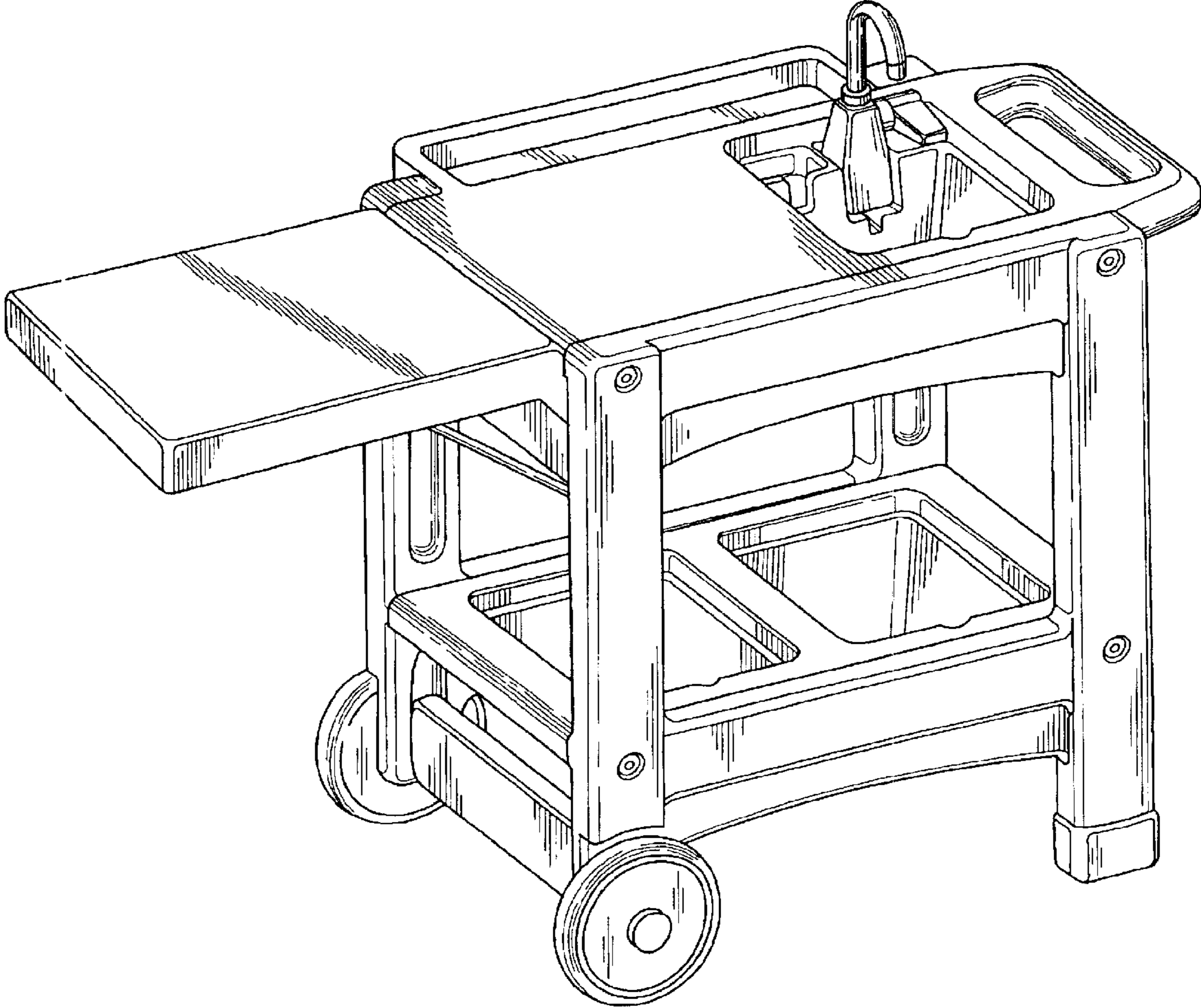


Fig. 1

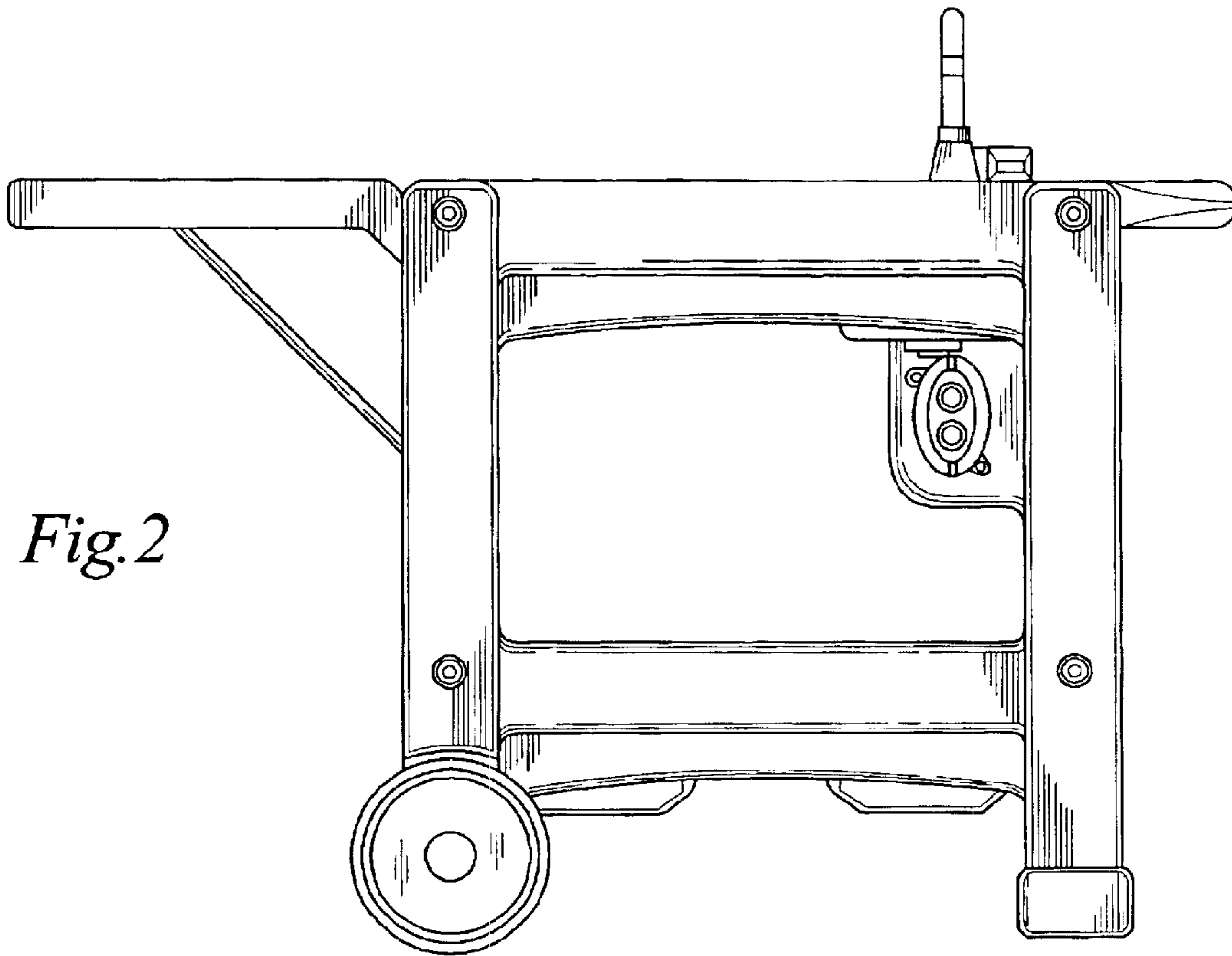


Fig. 2

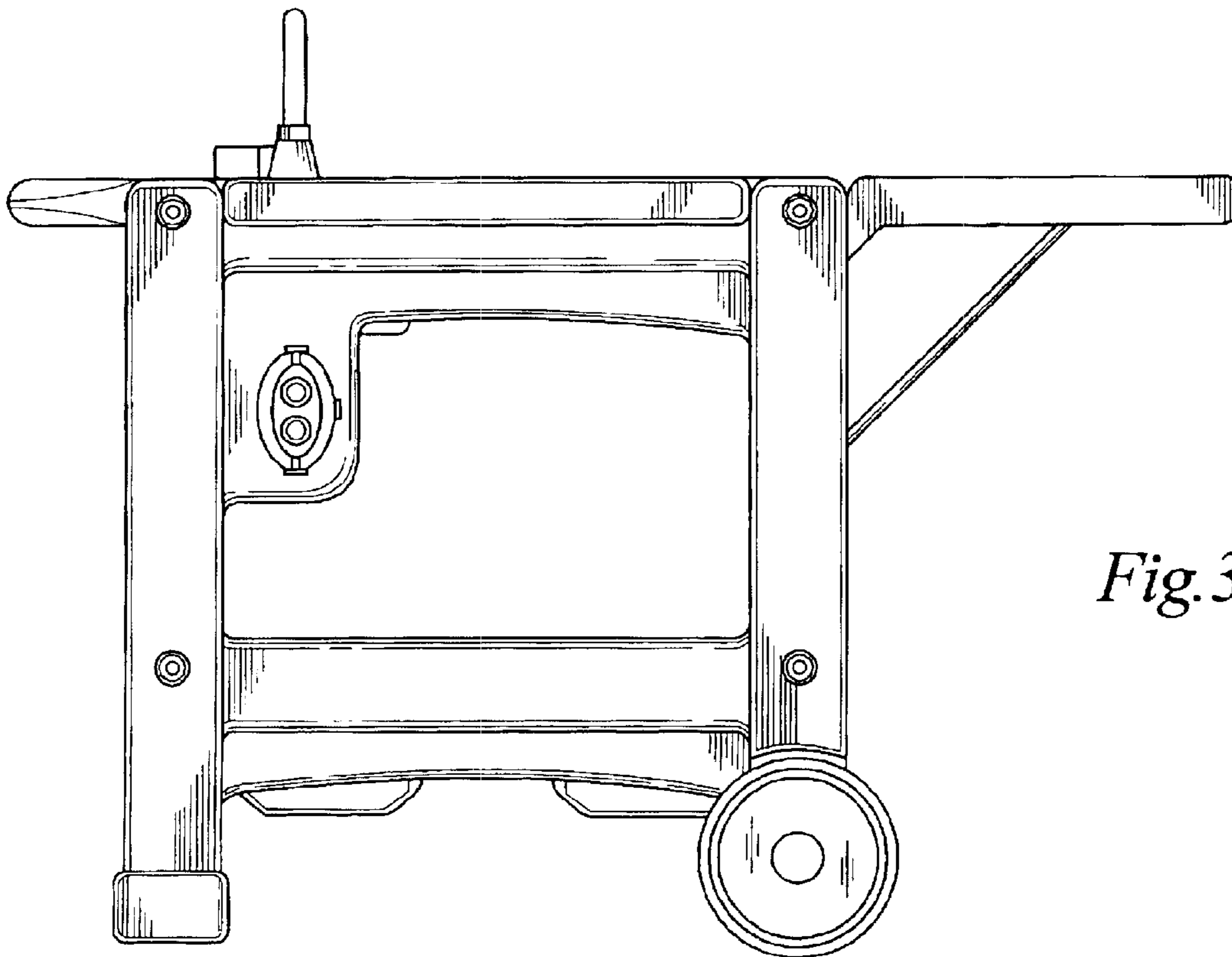


Fig. 3

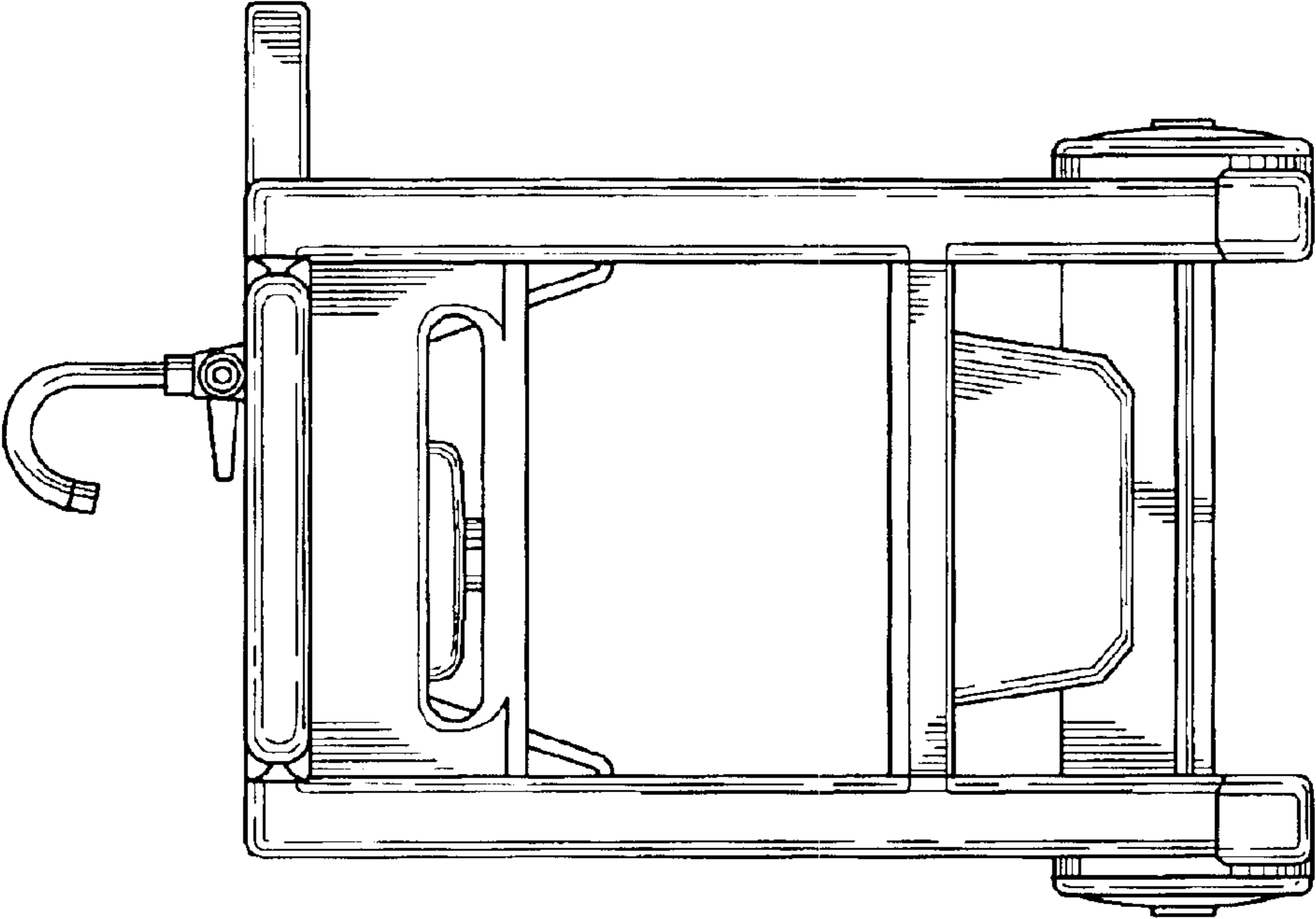


Fig. 5

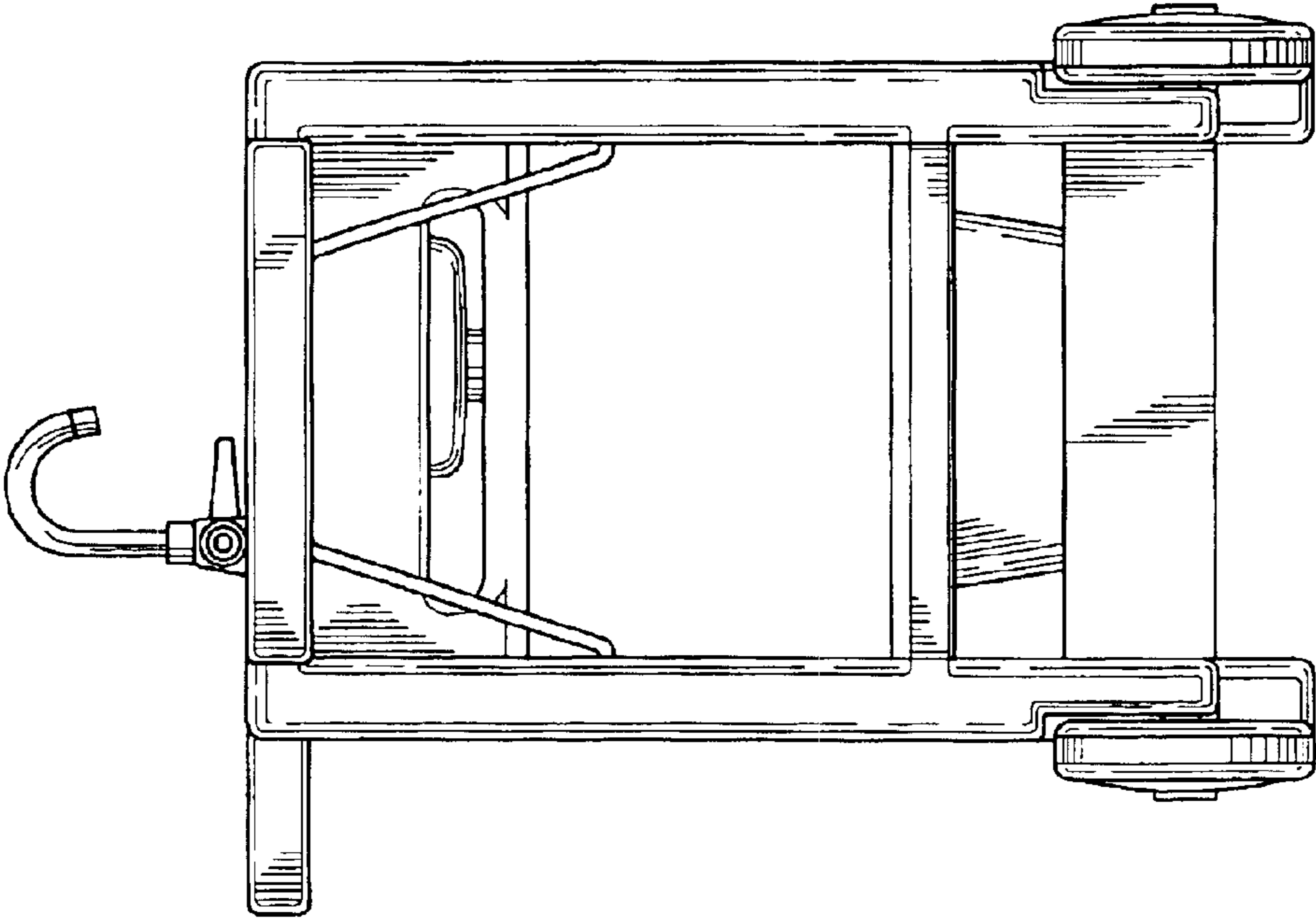


Fig. 4

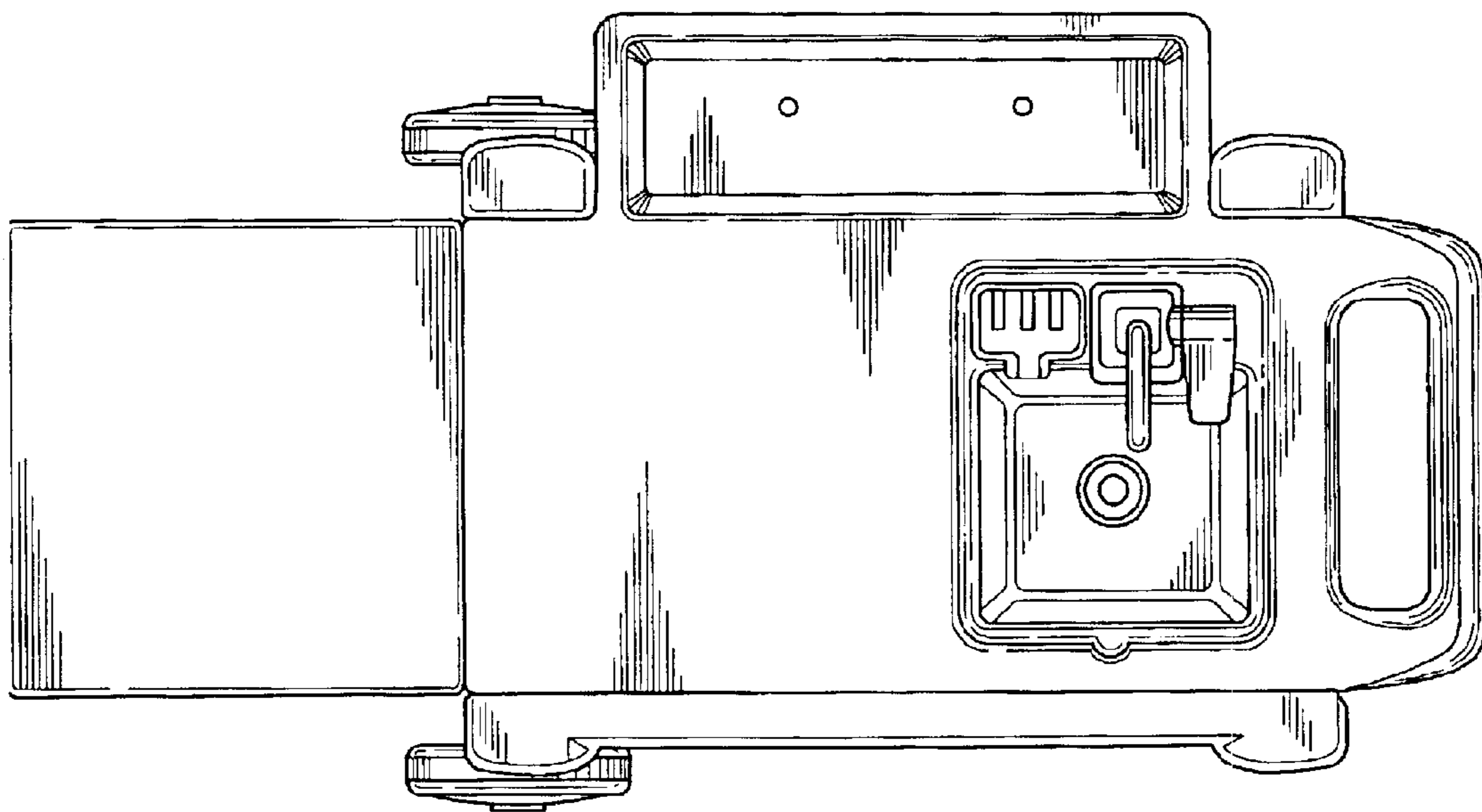


Fig. 6

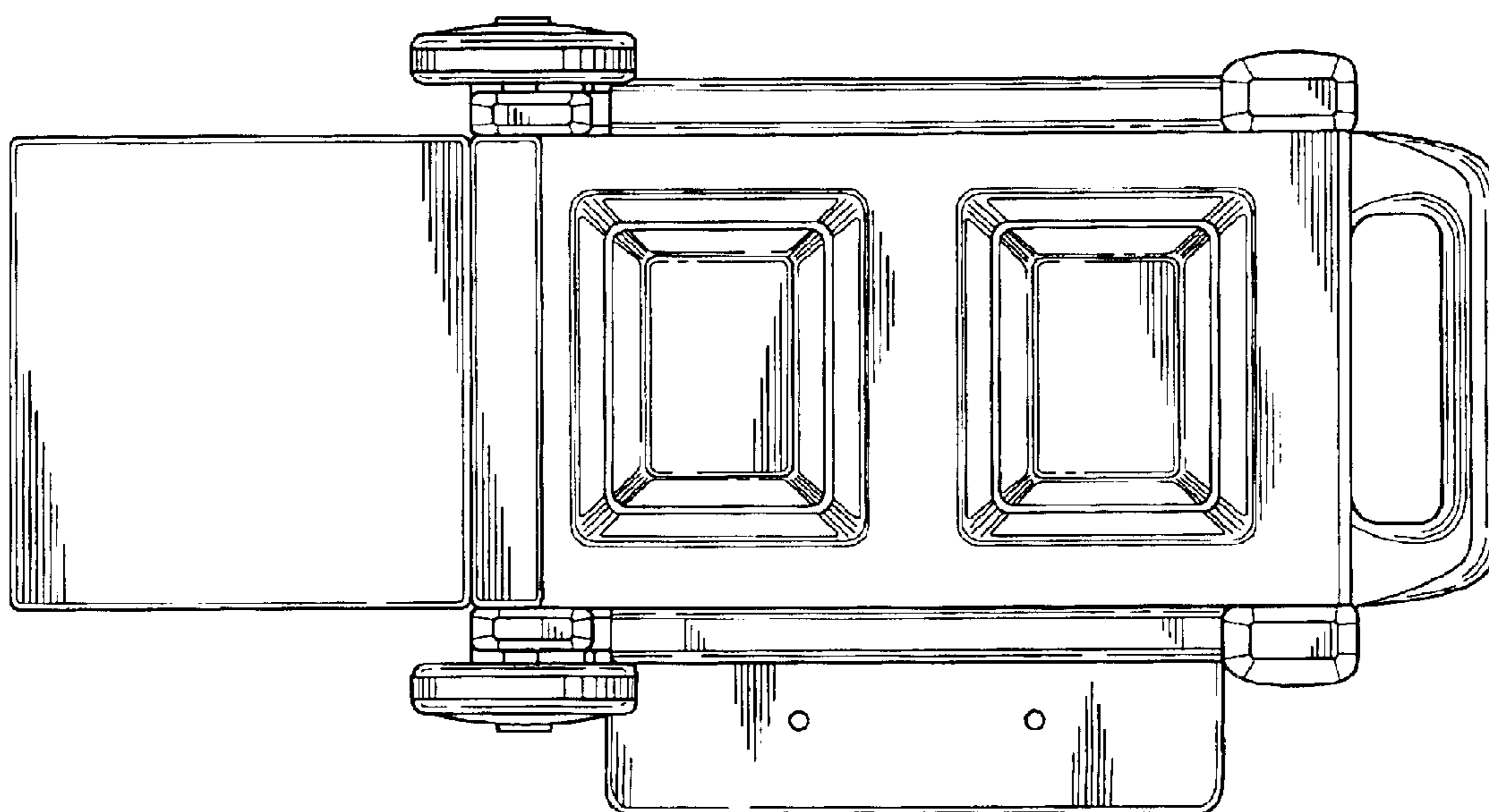


Fig. 7

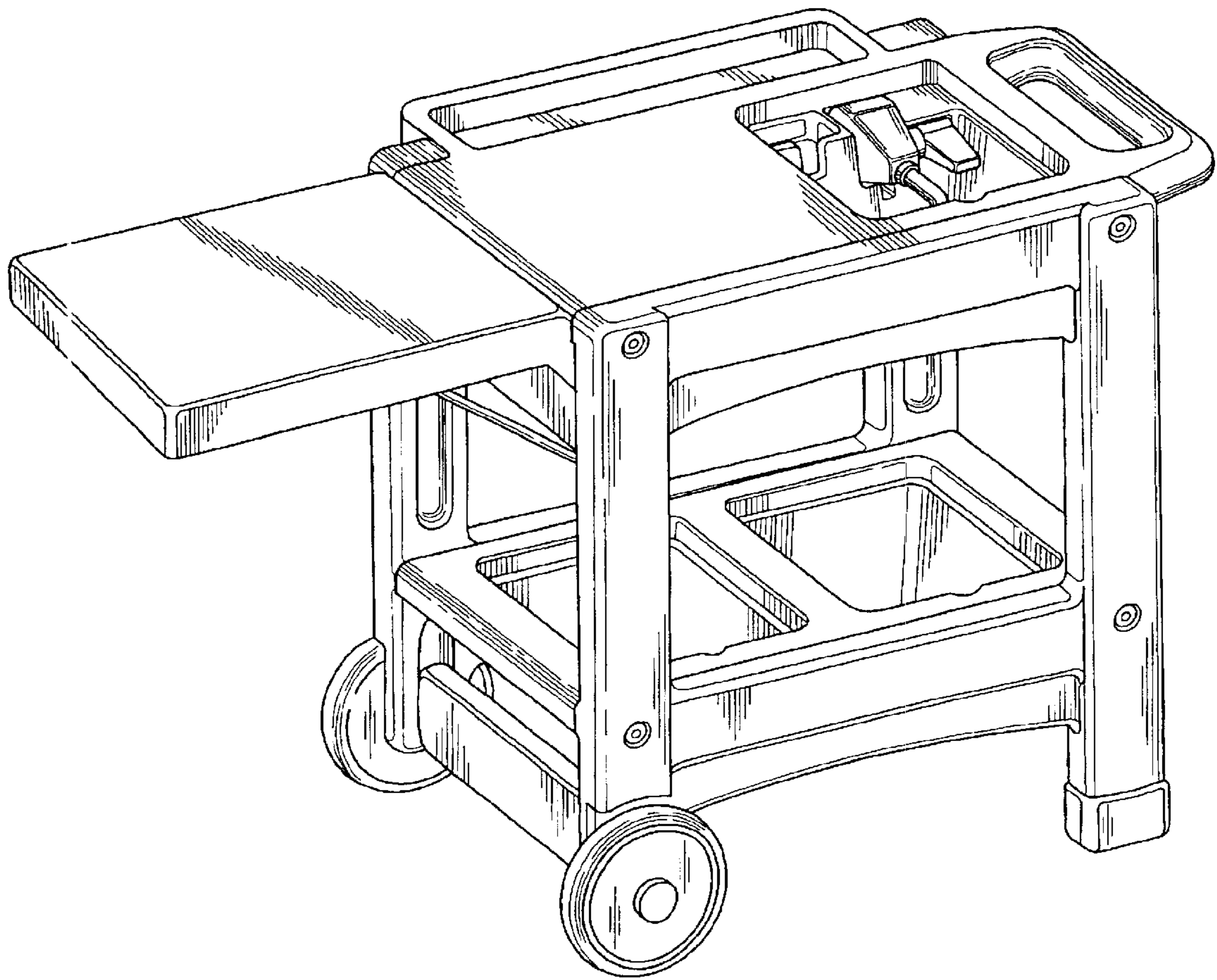


Fig. 8

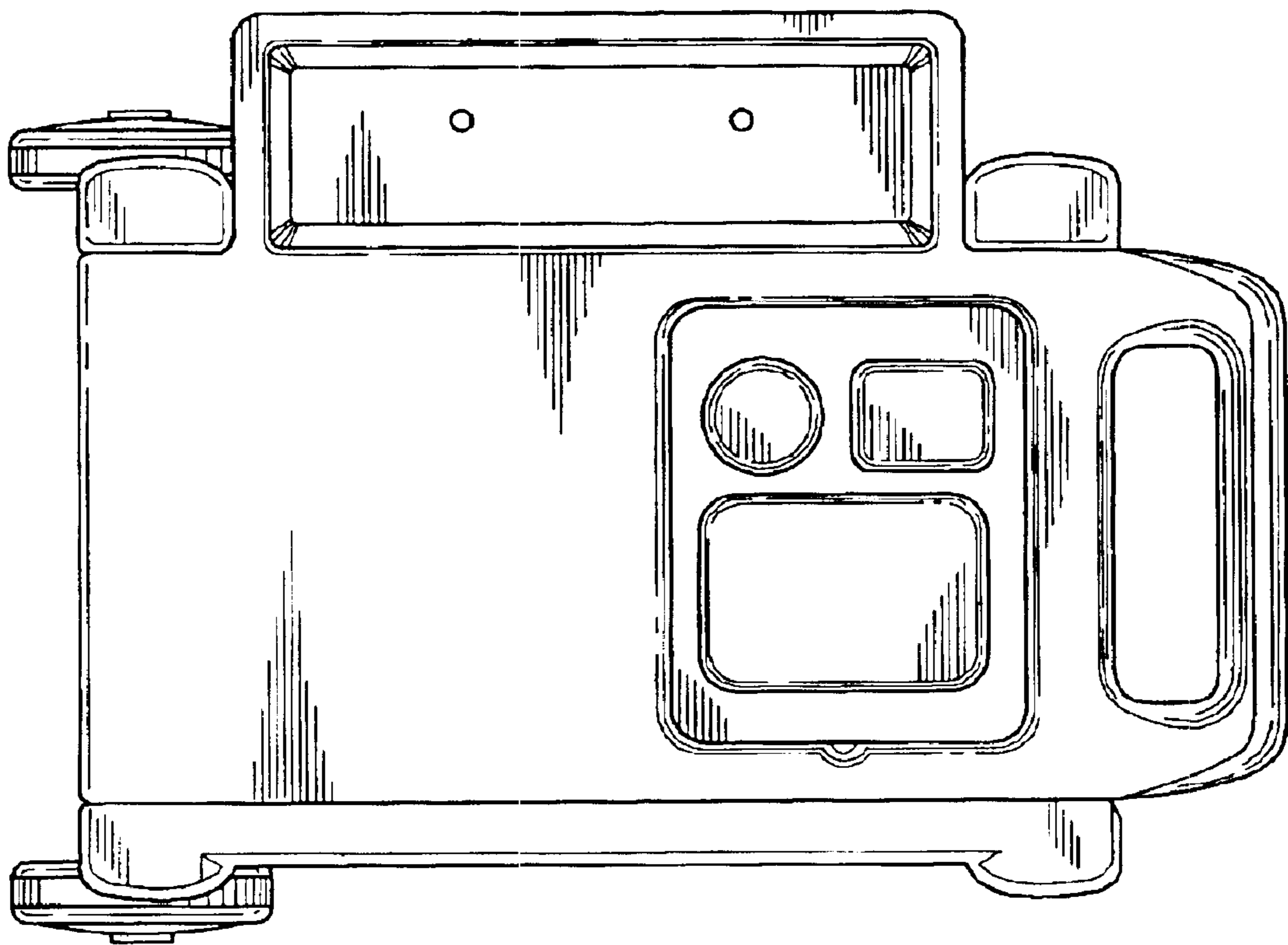


Fig. 9

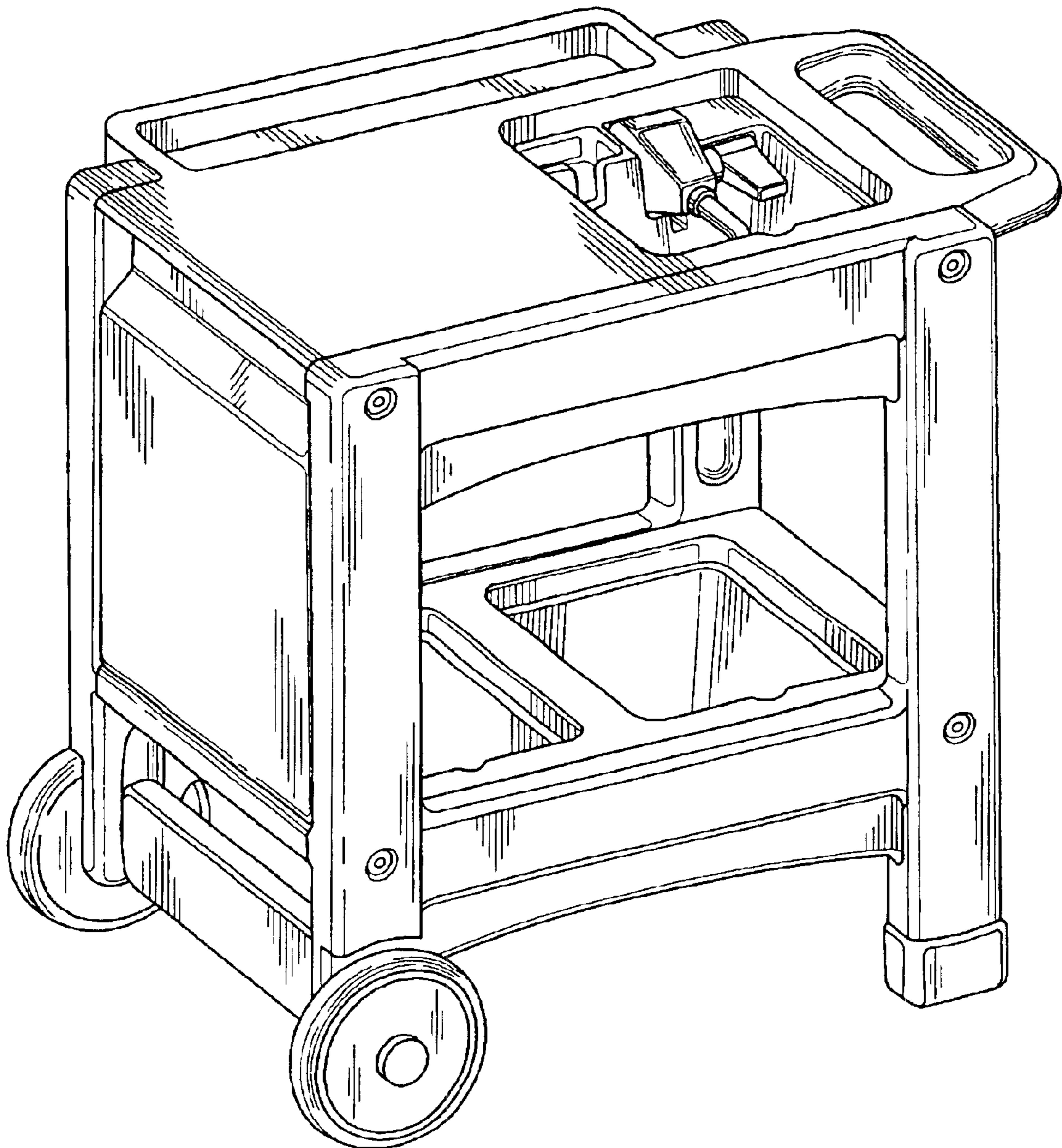


Fig. 10