

US00D503998S

(12) **United States Design Patent**
Axelrod

(10) **Patent No.:** **US D503,998 S**

(45) **Date of Patent:** **** Apr. 12, 2005**

(54) **DOG CHEW**

(75) **Inventor:** **Glen S. Axelrod**, Colts Neck, NJ (US)

(73) **Assignee:** **T.F.H. Publications, Inc.**, Neptune City, NJ (US)

(**) **Term:** **14 Years**

(21) **Appl. No.:** **29/178,387**

(22) **Filed:** **Mar. 25, 2003**

(51) **LOC (7) Cl.** **30-99**

(52) **U.S. Cl.** **D30/160; D21/408; D21/483**

(58) **Field of Search** **D30/160; D21/406, D21/408, 465-467, 475-479, 483, 532, 662, 681, 682, 707, 711, 713, 470; D24/193-195, 211; 119/702, 706-711; 156/72; 273/160; 446/85, 227, 369; 473/143, 575-576, 578-580, 612, 614; 482/114; 601/118-120, 131, 139; 606/234, 236**

(56) **References Cited**

U.S. PATENT DOCUMENTS

2,532,116 A * 11/1950 Monaco 606/235
D162,947 S * 4/1951 Goodman D21/408

D219,251 S * 11/1970 Chrones D24/194
D280,749 S * 9/1985 Thomson et al. D21/408
D287,148 S * 12/1986 Adams D21/408
D314,621 S * 2/1991 Bernstein et al. D24/195
5,342,398 A * 8/1994 Sun D24/194
D375,332 S * 11/1996 Kino D21/532
5,702,039 A * 12/1997 Olaiz D21/476
D453,401 S * 2/2002 Kaplan D30/160

* cited by examiner

Primary Examiner—Cathy Anne MacCormac
(74) *Attorney, Agent, or Firm*—Grossman, Tucker, Perreault & Pleger

(57) **CLAIM**

The original design for a dog chew, as shown and described.

DESCRIPTION

FIG. 1 is a front view of a dog chew of the present invention.
FIG. 2 is a rear view thereof;
FIG. 3 is a top view thereof;
FIG. 4 is a bottom view thereof;
FIG. 5 is an end view thereof; and,
FIG. 6 is an opposite end view thereof.

1 Claim, 3 Drawing Sheets

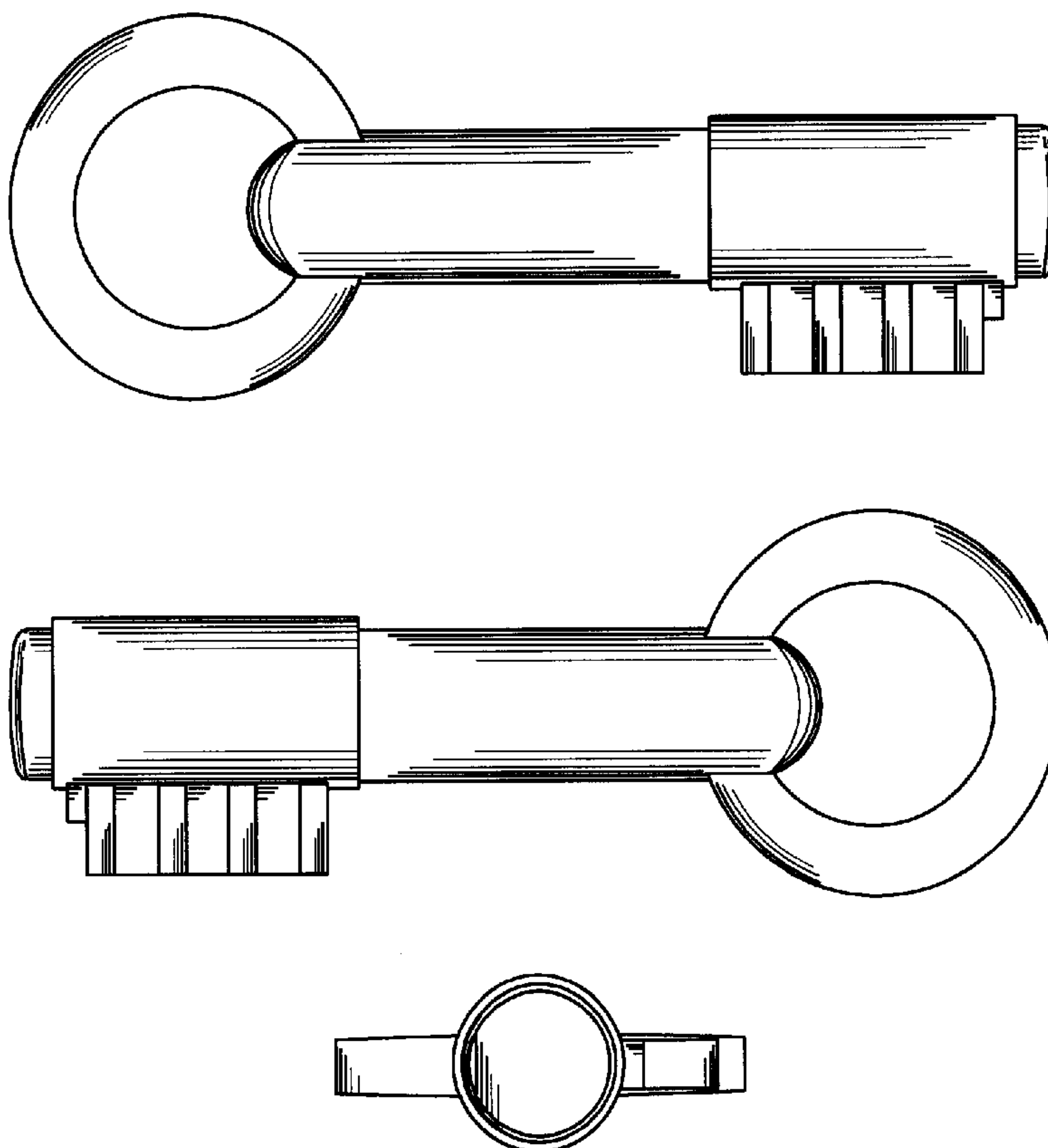


FIG. 1

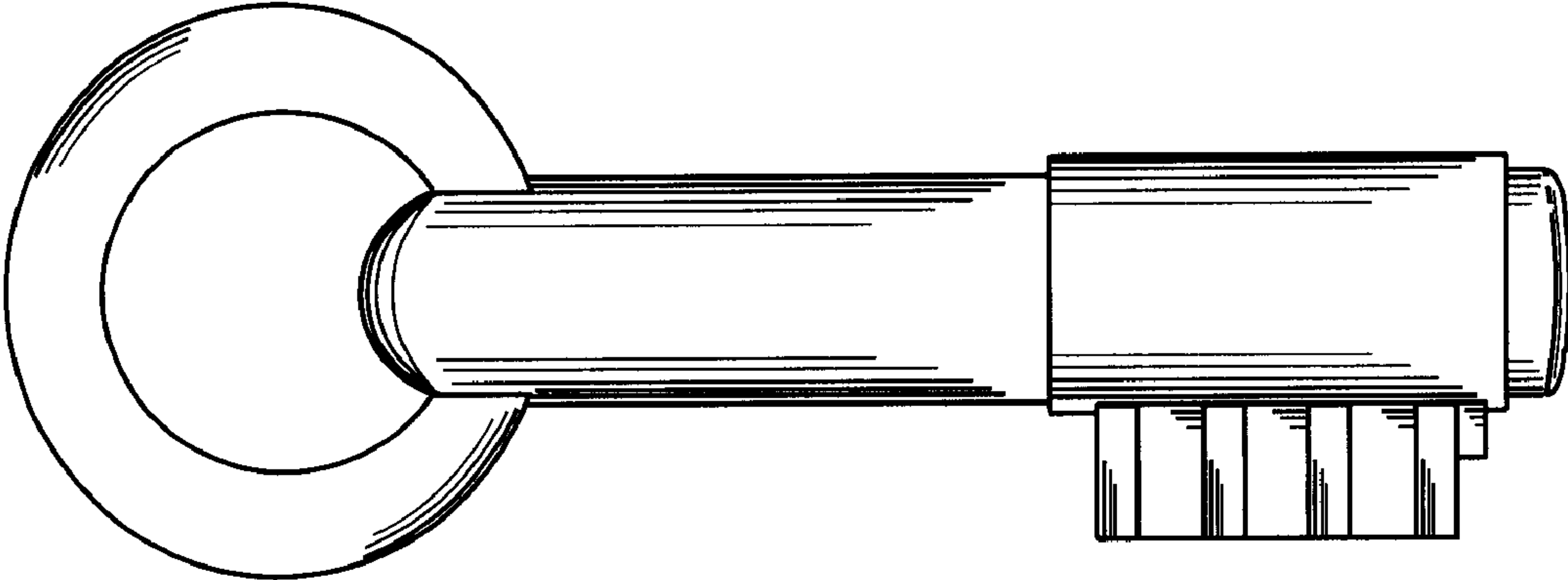


FIG. 2

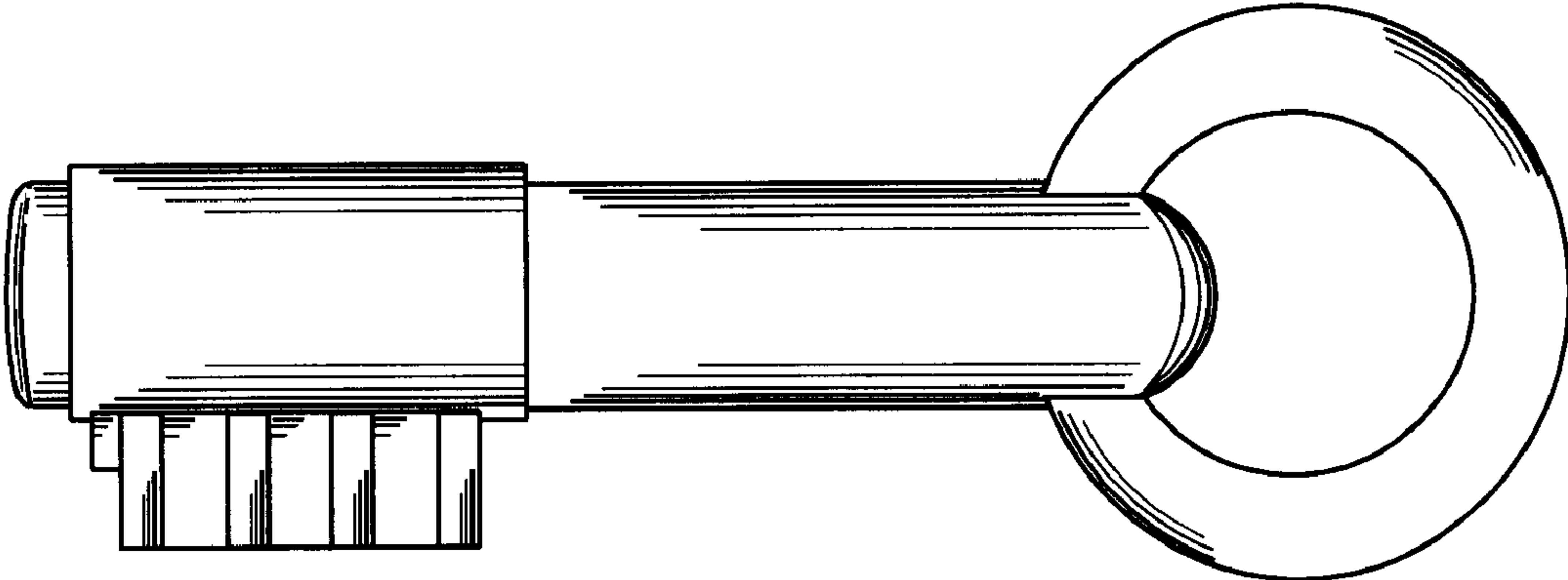


FIG. 3

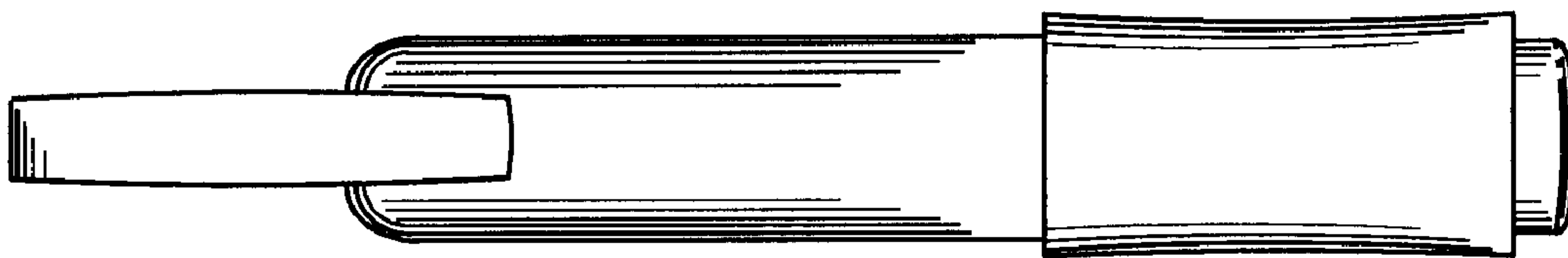


FIG. 4

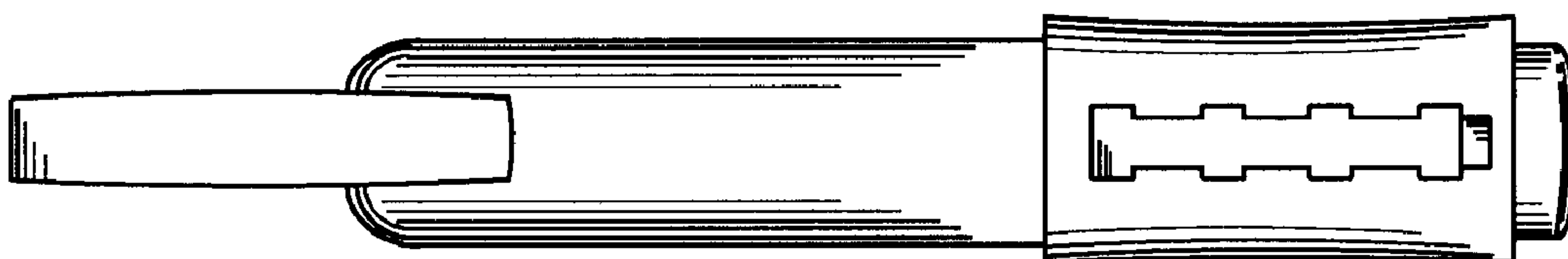


FIG. 5

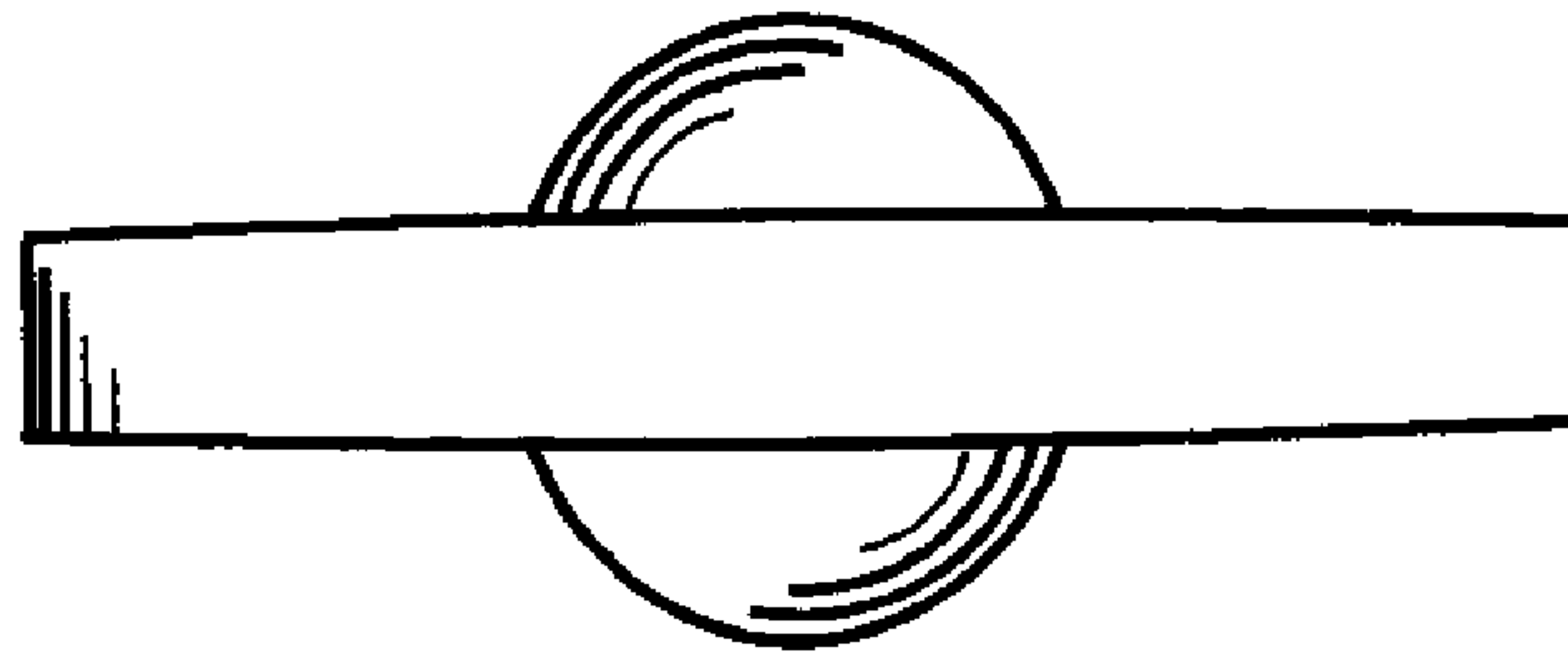


FIG. 6

