

US00D503994S

(12) **United States Design Patent**
Yurich

(10) **Patent No.:** **US D503,994 S**
(45) **Date of Patent:** **** Apr. 12, 2005**

(54) **LIGHT FIXTURE**

(76) **Inventor:** **Gary D. Yurich**, 328 E. Sunnybrook Dr., Royal Oak, MI (US) 48073-2646

(**) **Term:** **14 Years**

(21) **Appl. No.:** **29/196,907**

(22) **Filed:** **Jan. 7, 2004**

(51) **LOC (7) Cl.** **26-03**

(52) **U.S. Cl.** **D26/89; D26/85**

(58) **Field of Search** D26/51, 59, 72, D26/85, 88-91, 118, 128; D23/377, 379, 385; 362/147, 347, 349, 361, 311, 404, 407, 408

2,220,298 A	*	11/1940	McKinnie	362/304
D240,320 S		6/1976	Luminaire		
D332,151 S		12/1992	Willmorth		
D333,867 S	*	3/1993	Markwardt	D23/377
D343,250 S		1/1994	Fouke et al.		
D344,606 S		2/1994	Fouke et al.		
5,452,192 A		9/1995	Yurich		
D419,660 S	*	1/2000	Zuege	D23/377
6,457,845 B1		10/2002	Collins et al.		

* cited by examiner

Primary Examiner—Clare E Heflin

(74) *Attorney, Agent, or Firm*—Howard & Howard

(57) **CLAIM**

We claim the ornamental design for a light fixture, as shown and described.

(56) **References Cited**

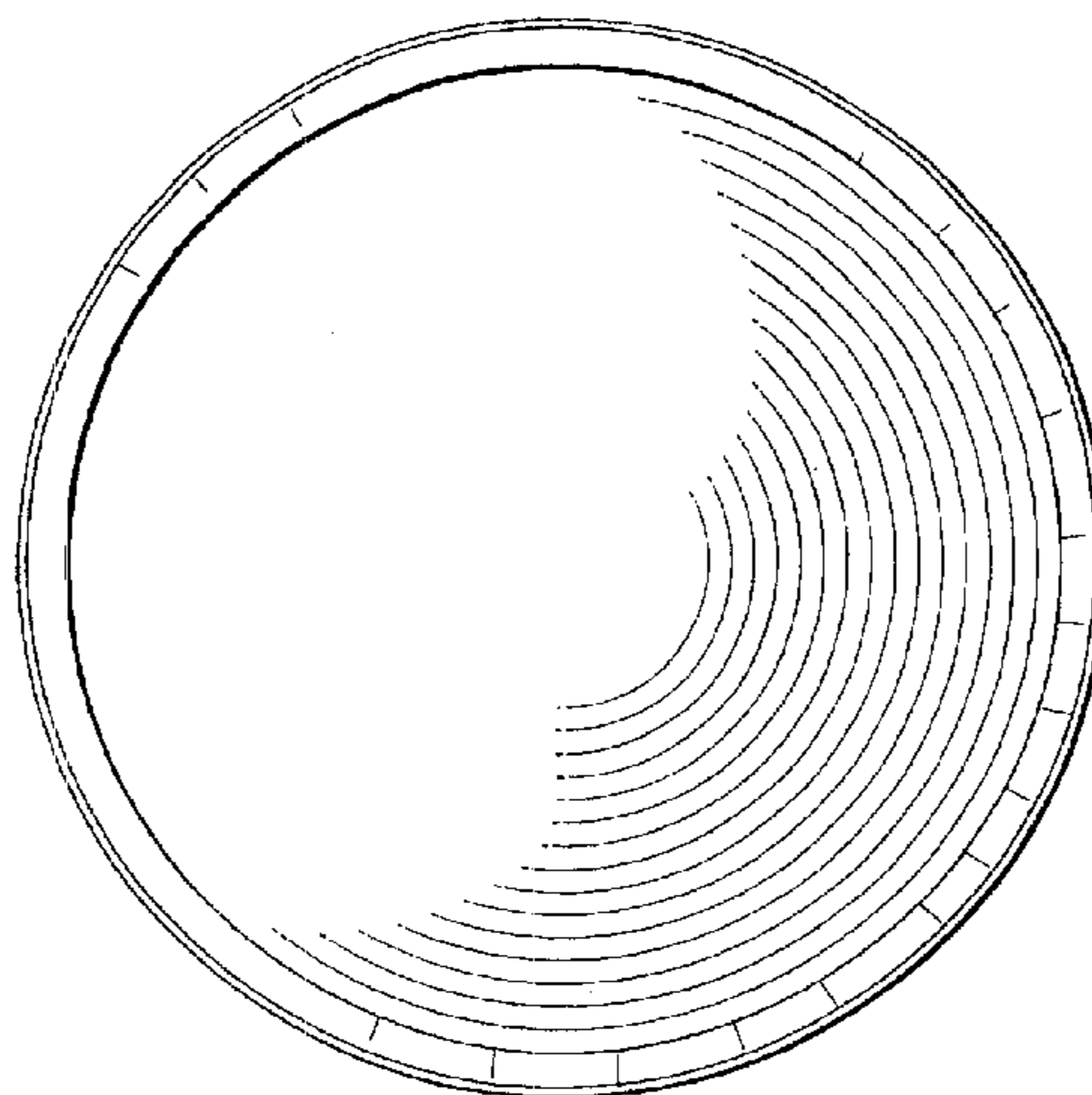
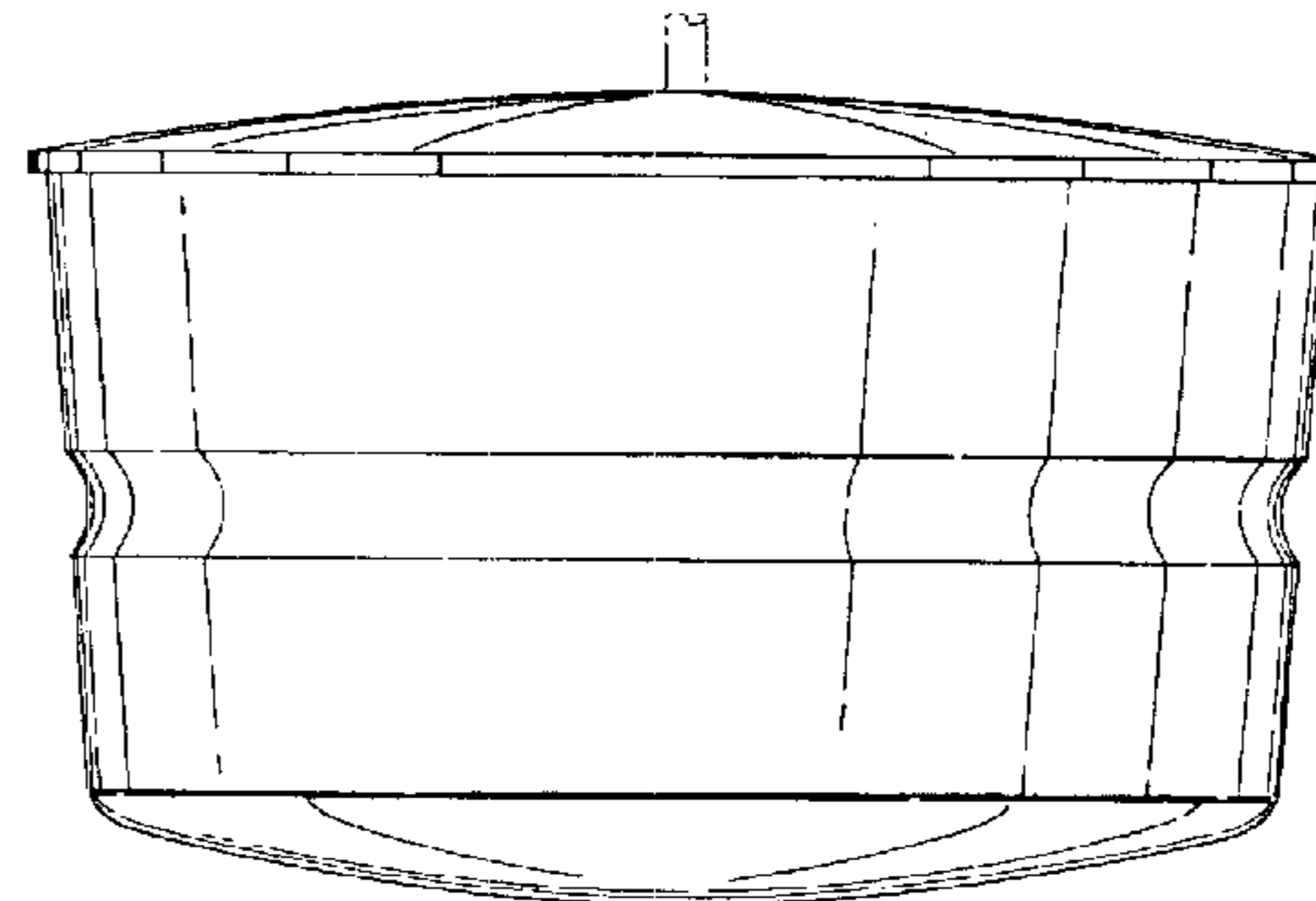
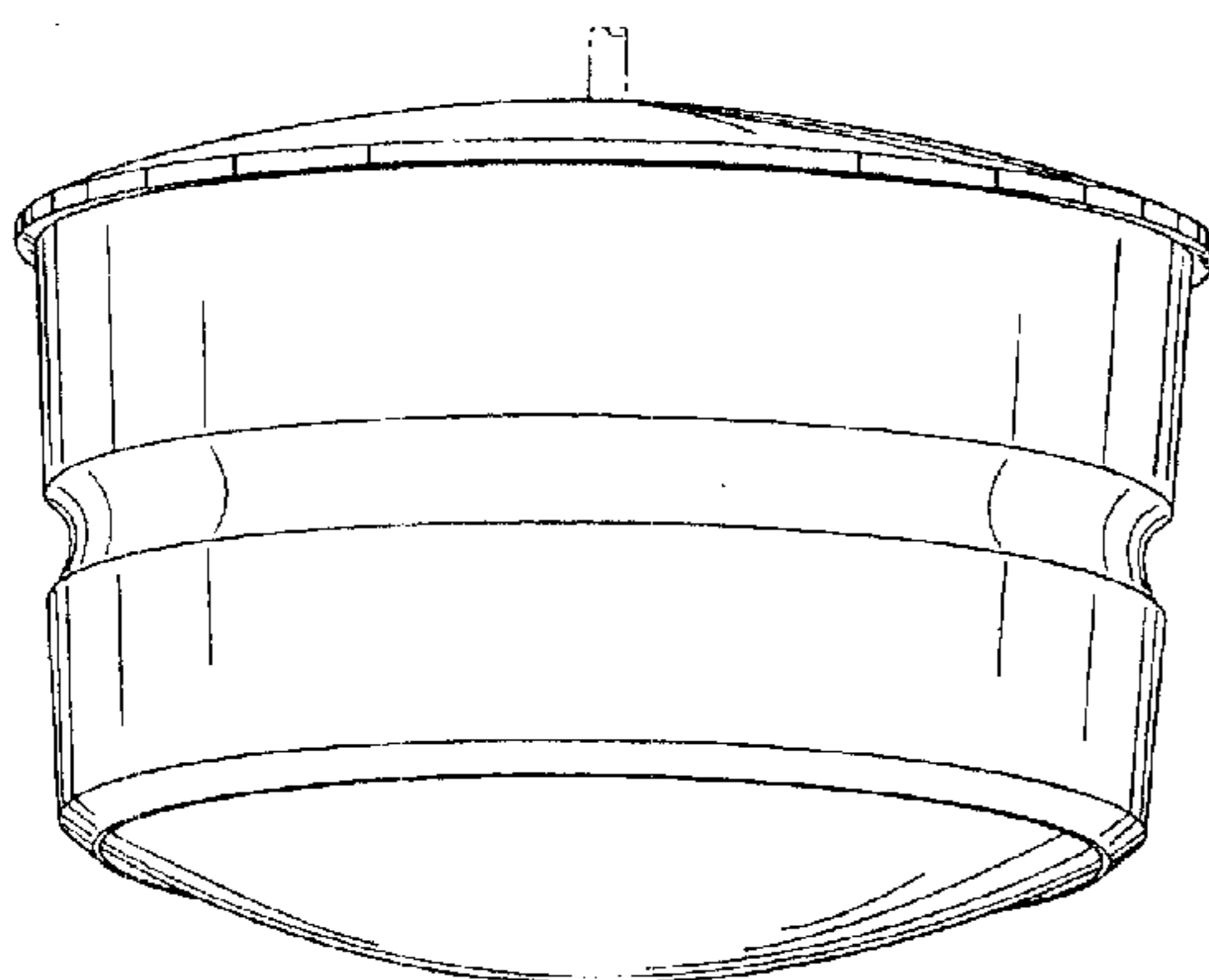
U.S. PATENT DOCUMENTS

1,509,559 A	*	9/1924	Jennings	362/408
1,568,929 A	*	1/1926	Symmes	362/311
1,786,748 A		12/1930	Gillinder		
1,977,401 A		10/1934	Orth		
2,043,193 A		6/1936	Dunn et al.		
D106,593 S		10/1937	Guth		
2,129,335 A		9/1938	Poling		
D119,789 S	*	4/1940	MacFadden	D26/88

DESCRIPTION

FIG. 1 is a perspective view from the bottom of the light fixture, FIG. 2 is an elevational view of the side of the light fixture, FIG. 3 is a top side view of the light fixture; and, FIG. 4 is a bottom side view of the light fixture. The broken lines shown on the drawings are for illustrative purposes only and form no part of the claimed design.

1 Claim, 4 Drawing Sheets



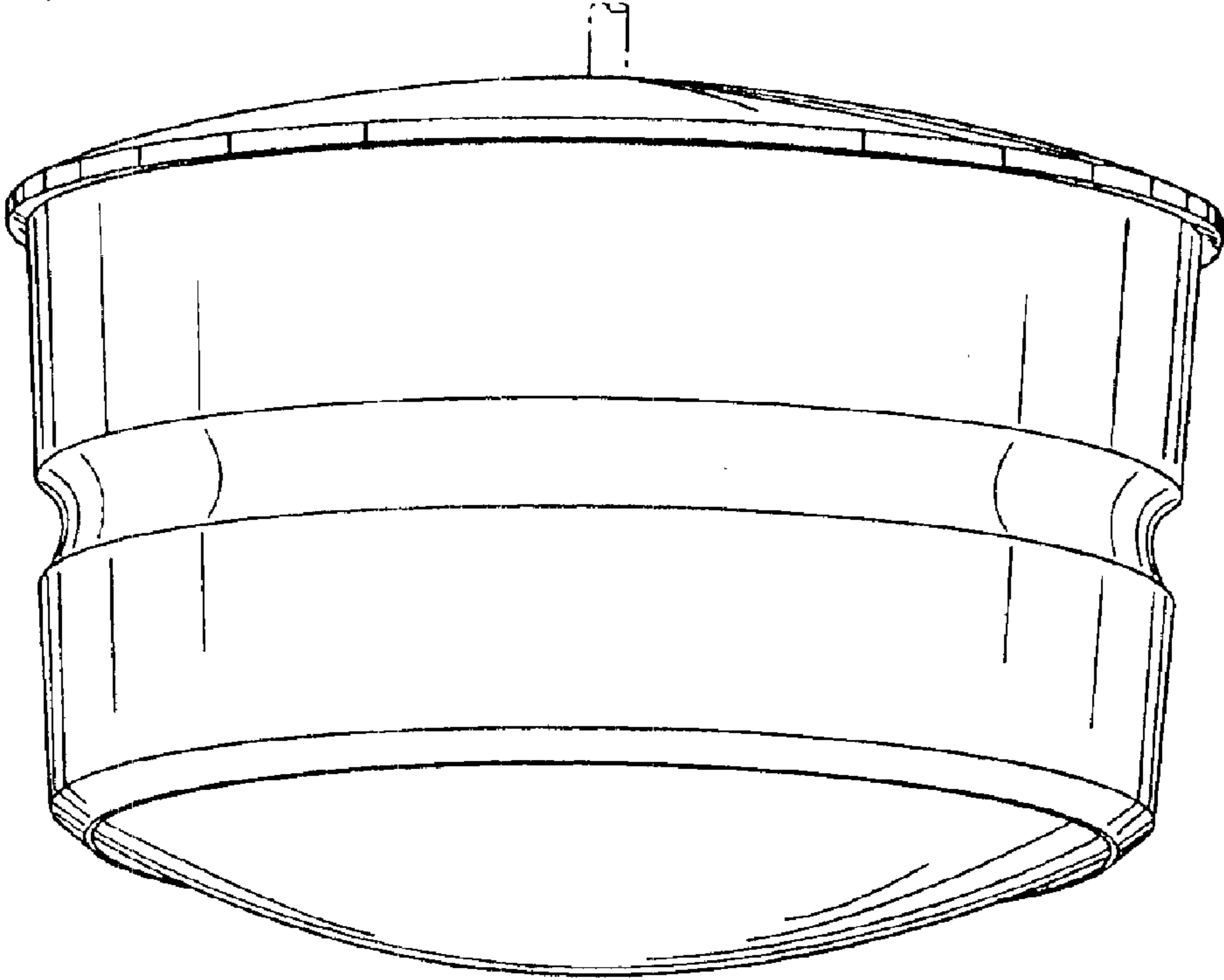


FIG - 1

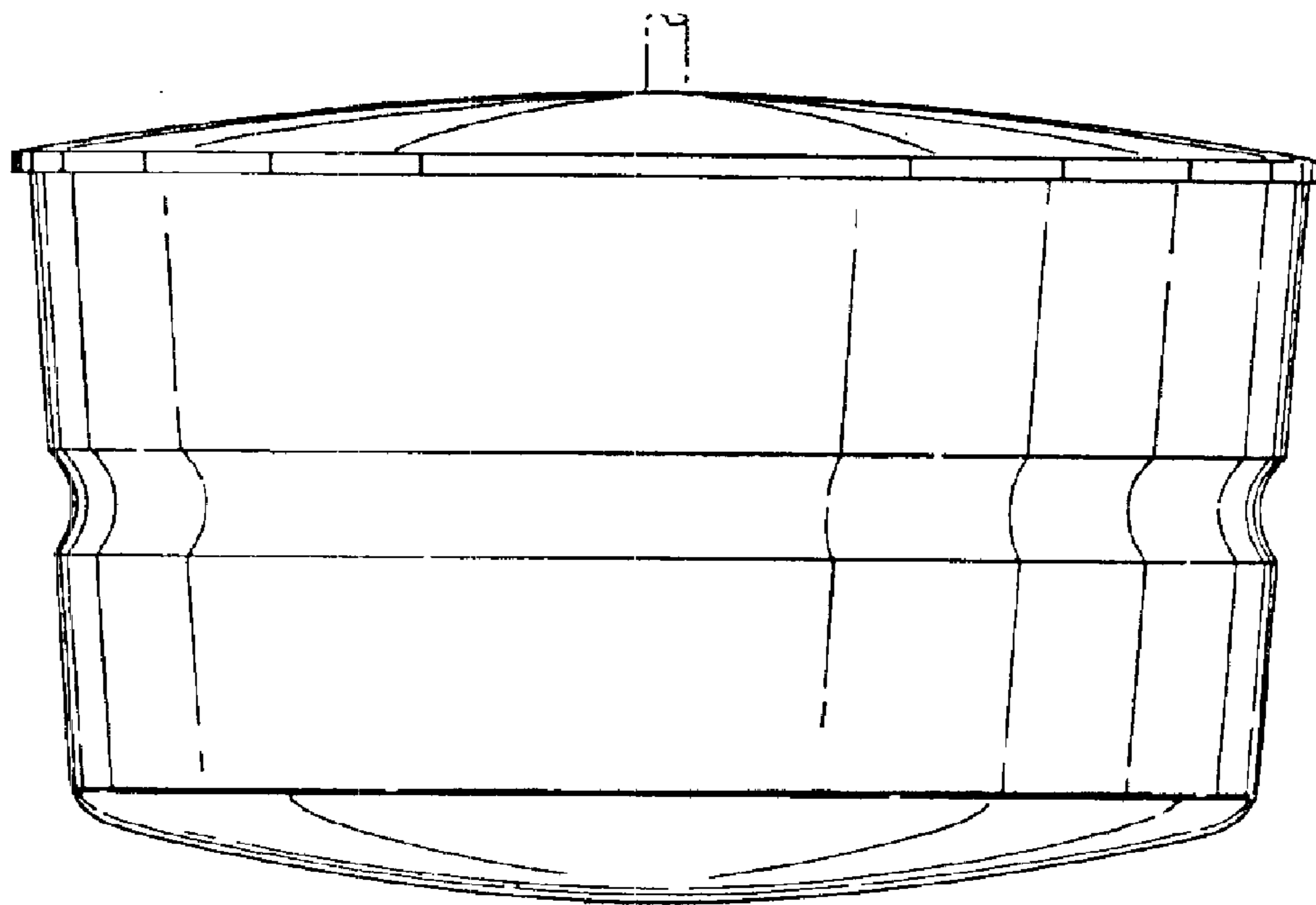


FIG - 2

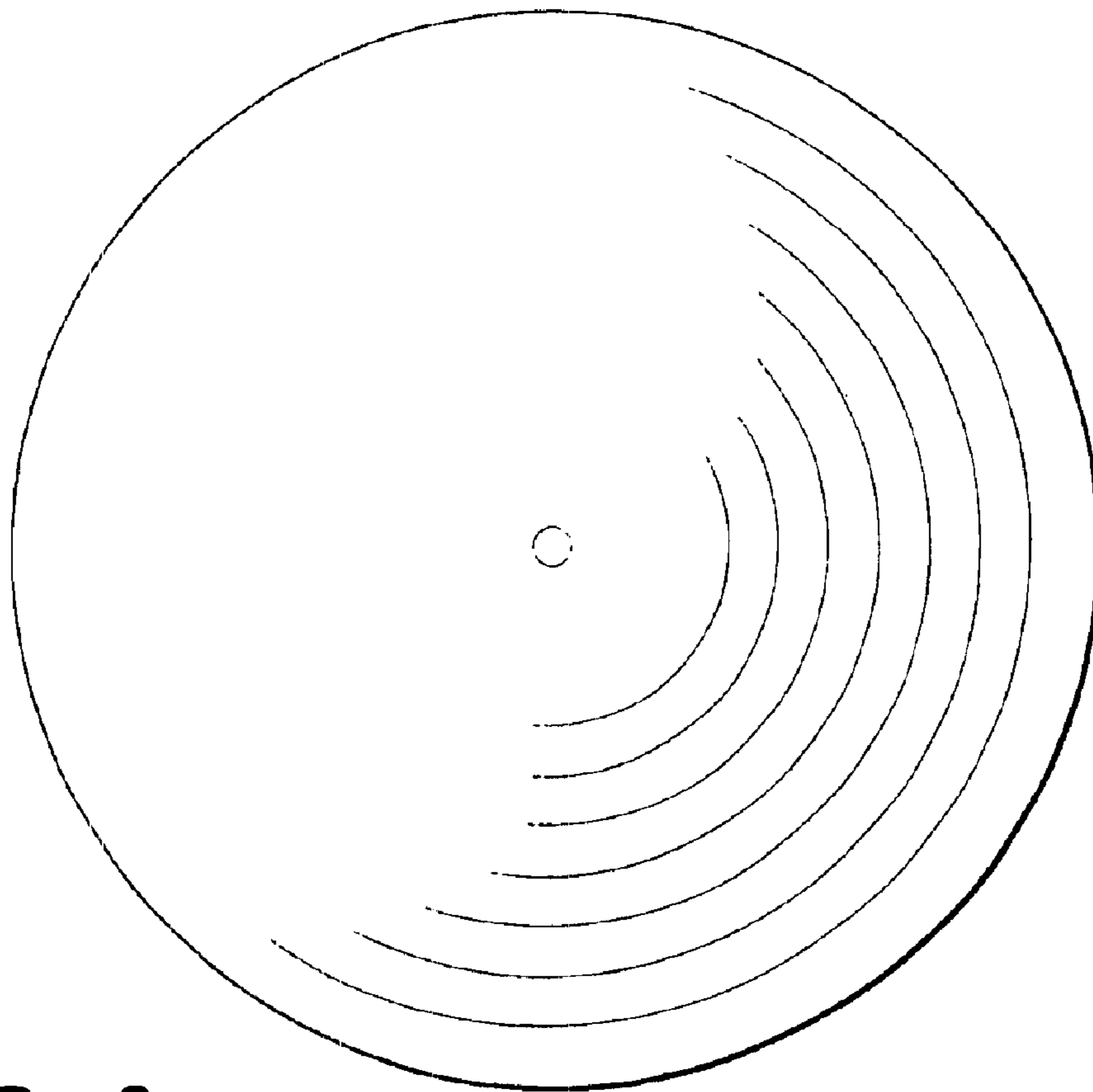


FIG - 3

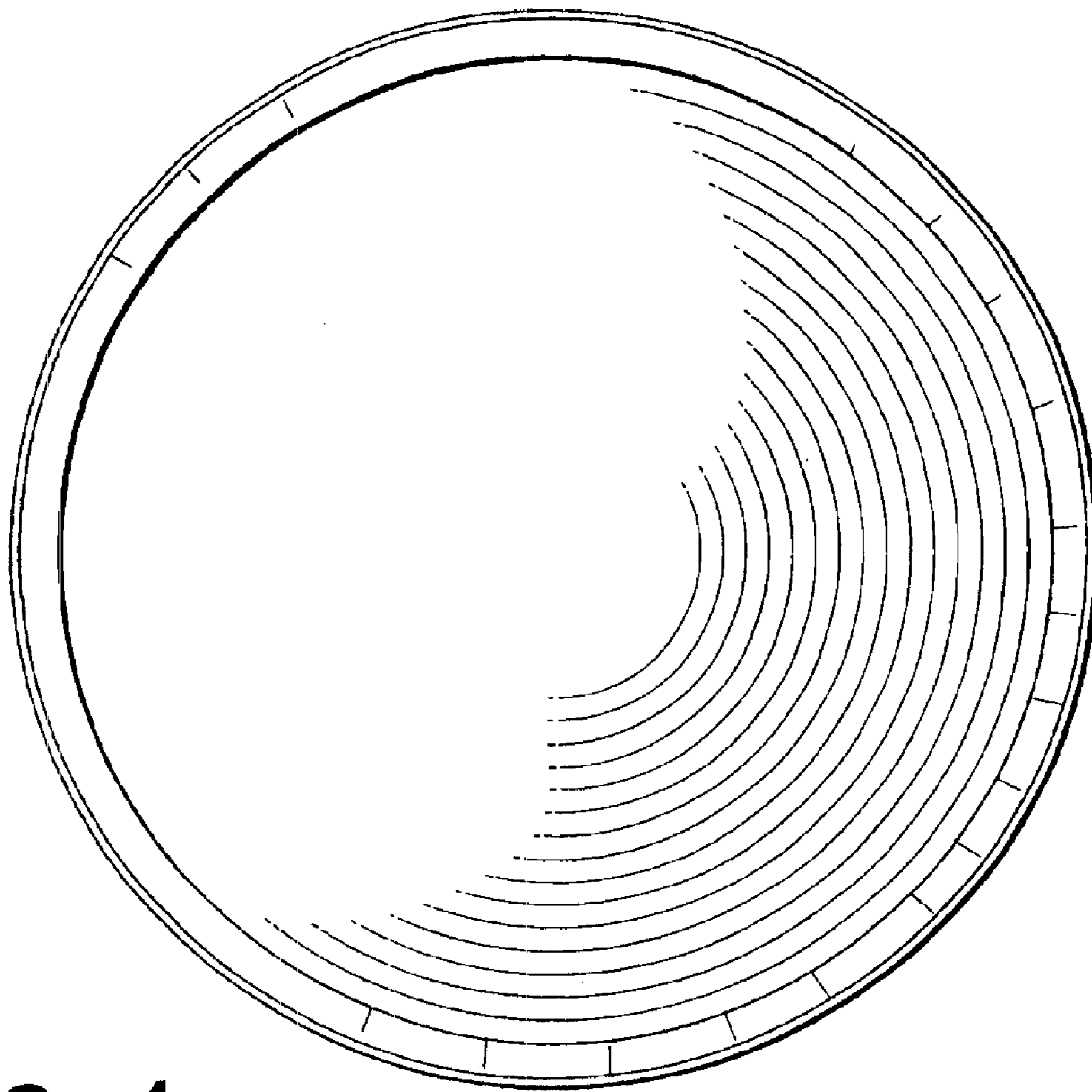


FIG - 4