



US00D503991S

(12) **United States Design Patent** (10) **Patent No.:** **US D503,991 S**
Dalton et al. (45) **Date of Patent:** **** Apr. 12, 2005**

(54) **FLASHLIGHT**

(75) Inventors: **David R. Dalton**, Turrumurra (AU);
John R. Brown, Mosman (AU); **Scott Allen**, Coogee (AU); **Timothy Rugendyke**, Woy Woy (AU)

(73) Assignee: **Eveready Battery Company, Inc.**, St. Louis, MO (US)

(**) Term: **14 Years**

(21) Appl. No.: **29/207,022**

(22) Filed: **Jun. 8, 2004**

(30) **Foreign Application Priority Data**

Dec. 8, 2003 (AU) 4327/2003

(51) **LOC (7) Cl.** **26-02**

(52) **U.S. Cl.** **D26/49**

(58) **Field of Search** D26/37-50; 362/157,
362/158, 171-174, 183-208

(56) **References Cited**

U.S. PATENT DOCUMENTS

D474,554 S * 5/2003 Dalton et al. D26/49
D493,008 S * 7/2004 Brent D26/49
D497,020 S * 10/2004 Lee D26/49

* cited by examiner

Primary Examiner—Marcus A. Jackson
(74) Attorney, Agent, or Firm—Stewart A. Fraser

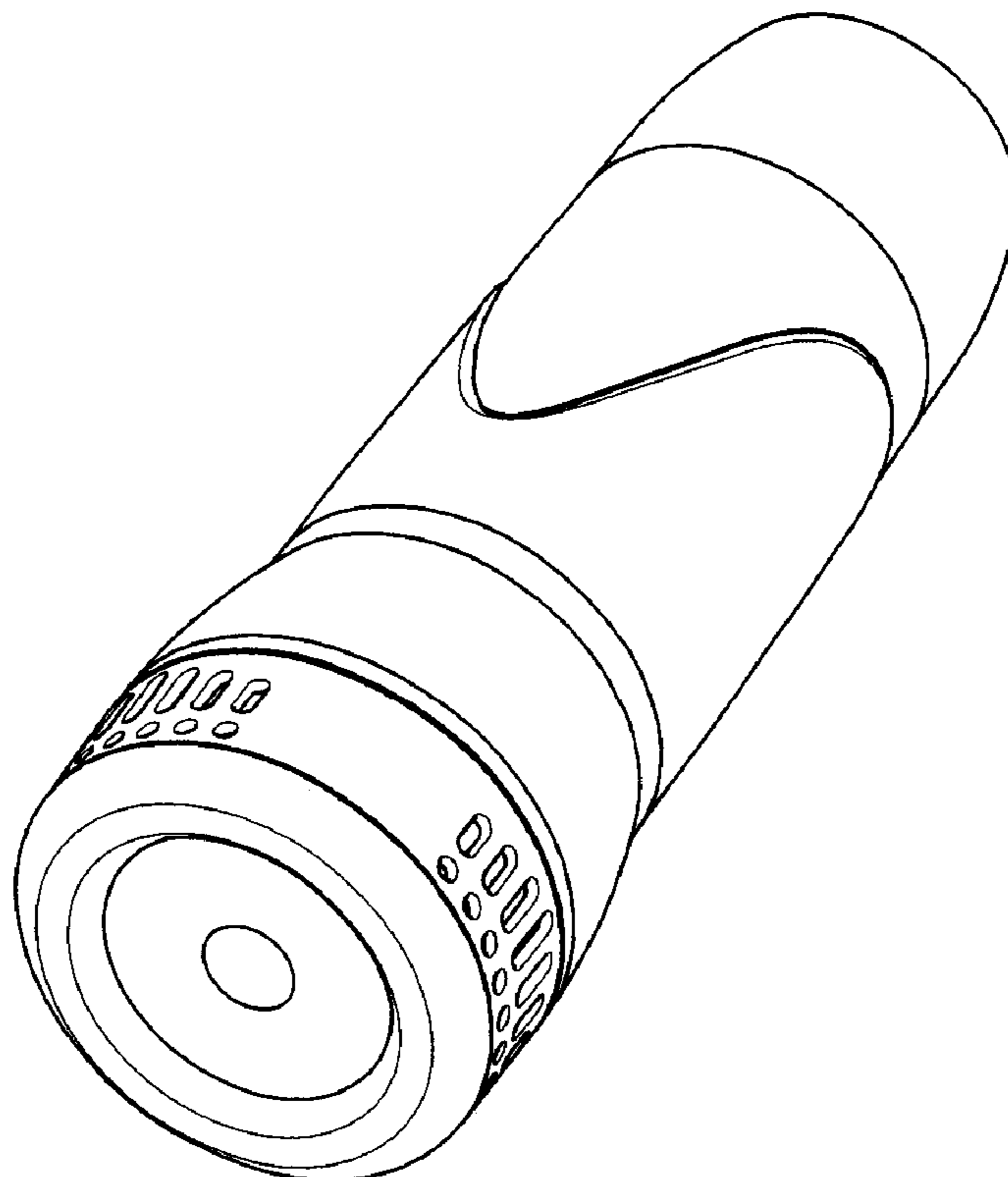
(57) **CLAIM**

We claim the ornamental design for a flashlight, as shown and described.

DESCRIPTION

FIG. 1 is an upper perspective view of the flashlight of the present invention;
FIG. 2 is a rear perspective view of the flashlight of the present invention;
FIG. 3 is a plan view of the flashlight of the present invention;
FIG. 4 is a left side view of the flashlight of the present invention;
FIG. 5 is an underneath view of the flashlight of the present invention;
FIG. 6 is a front view of the flashlight of the present invention;
FIG. 7 is a rear view of the flashlight of the present invention;
FIG. 8 is an underneath view of the flashlight of the present invention in the open position; and,
FIG. 9 is a rear perspective view of the flashlight of the present invention in the open position.

1 Claim, 9 Drawing Sheets



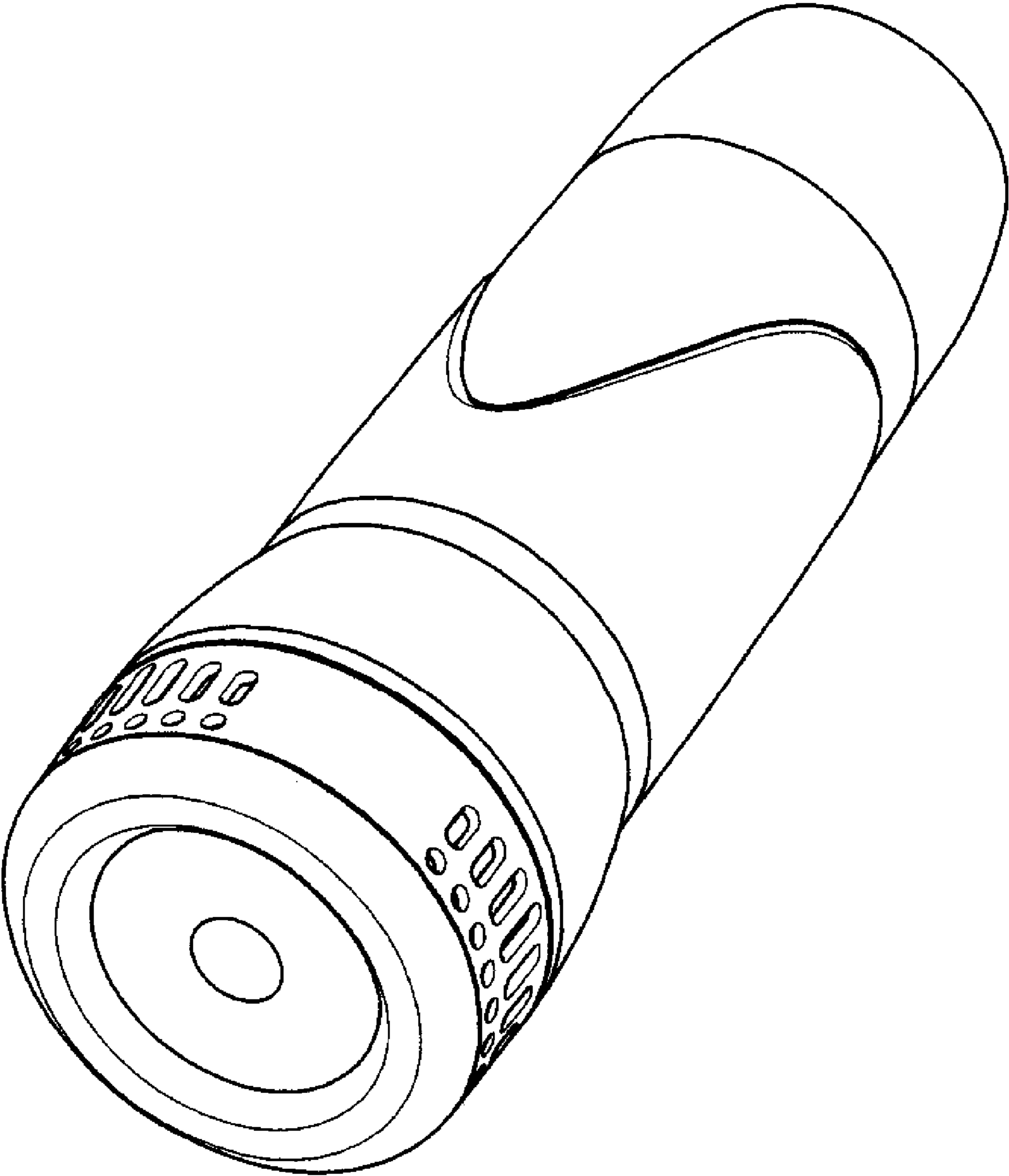


FIG. 1

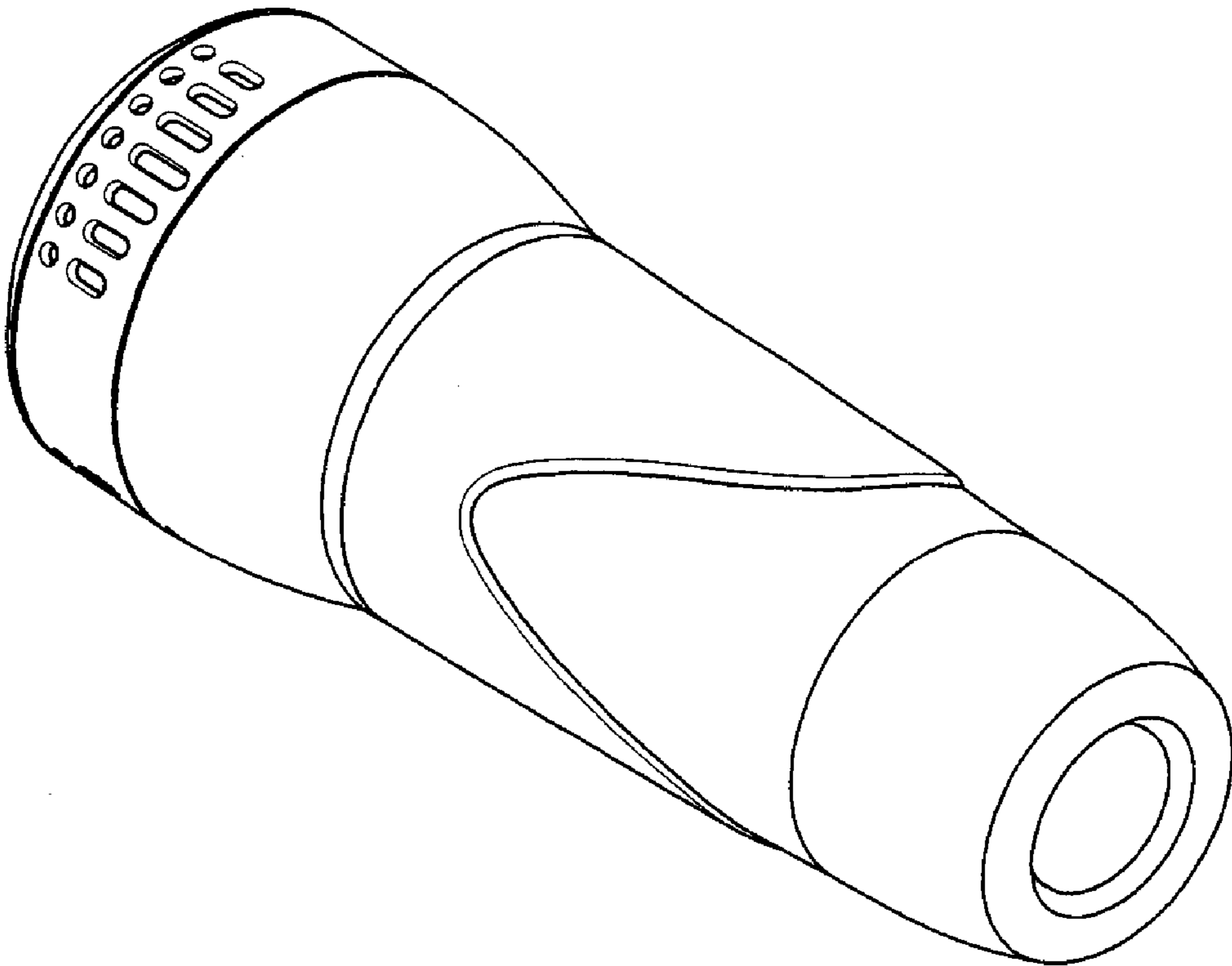


FIG. 2

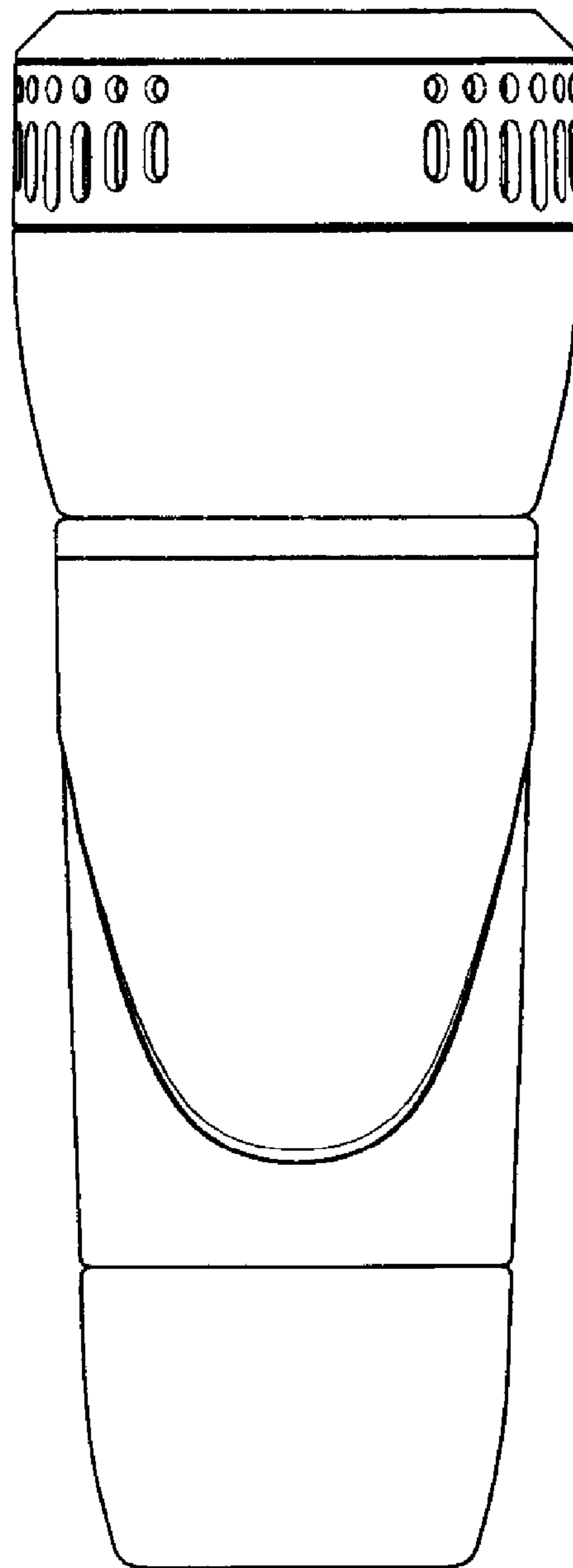


FIG. 3

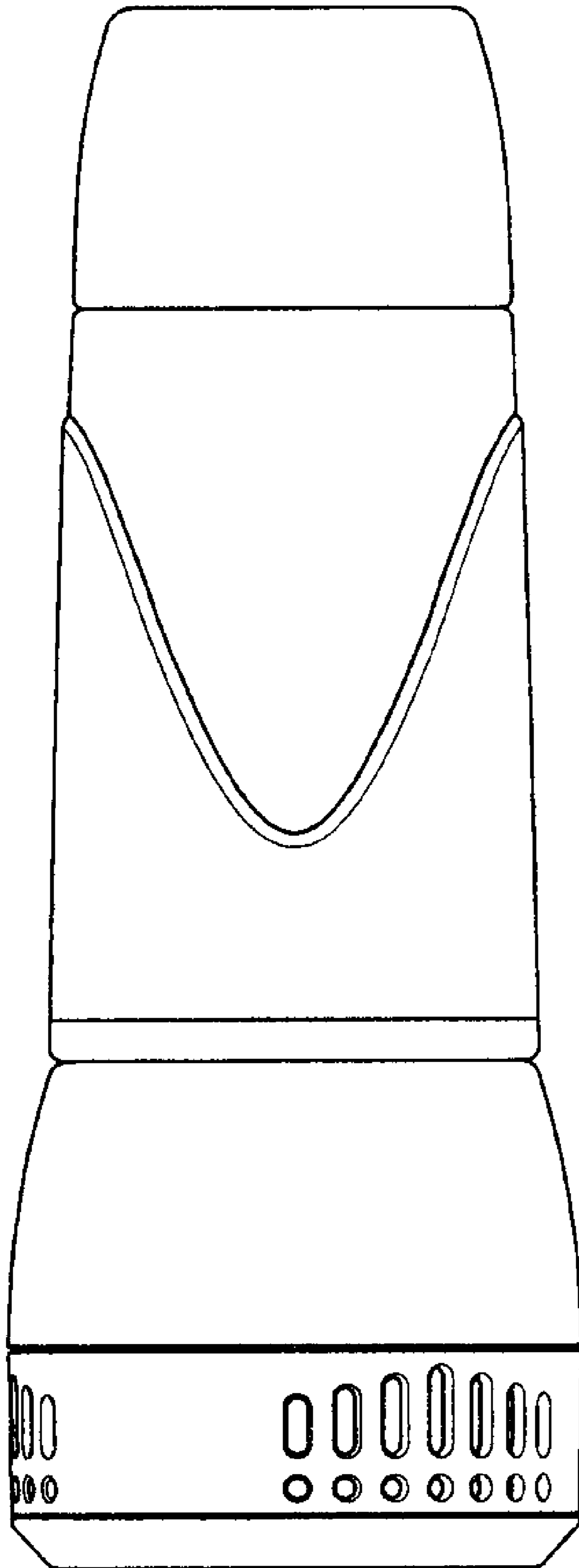


FIG. 4

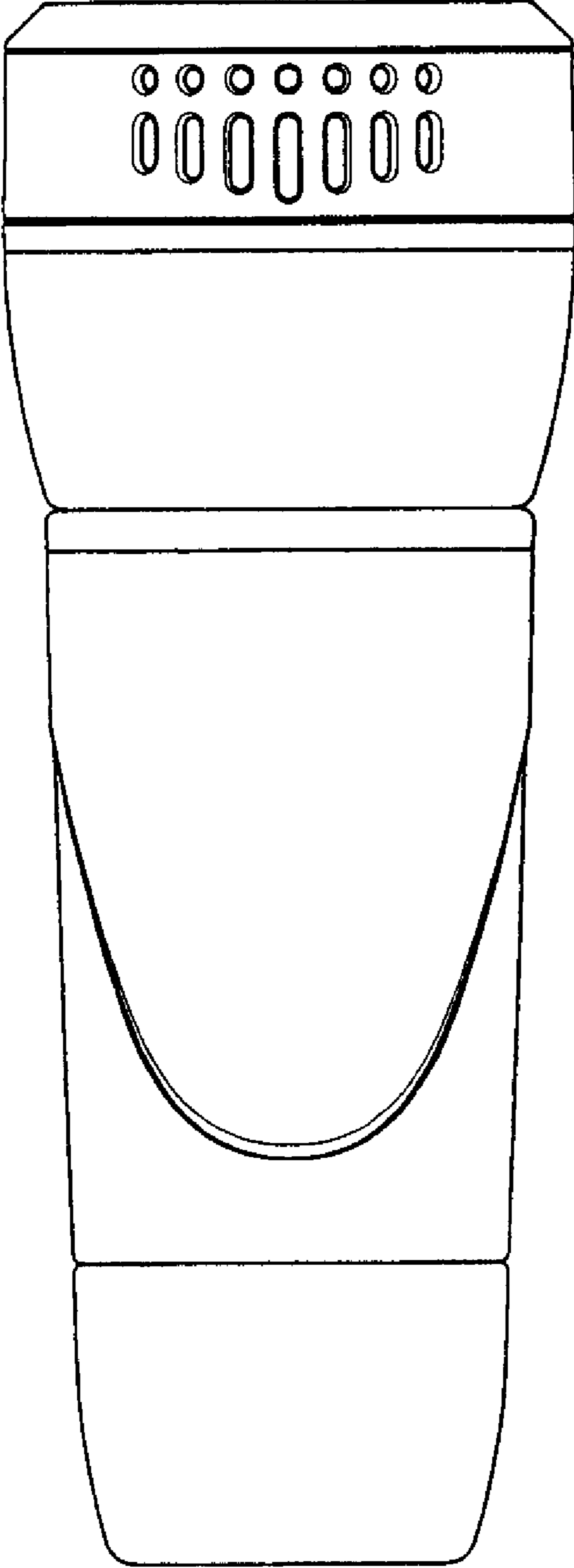


FIG. 5

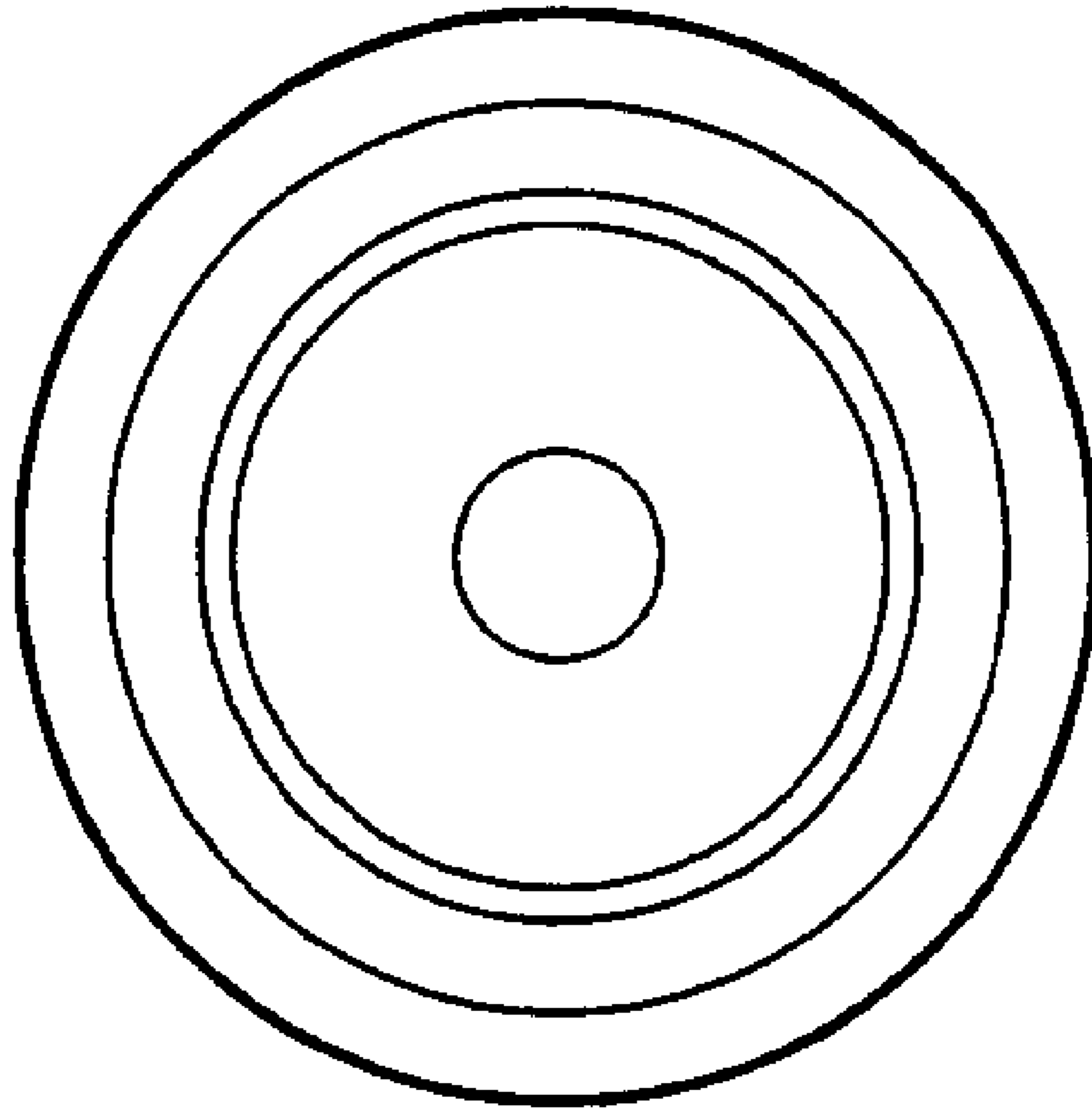


FIG. 6

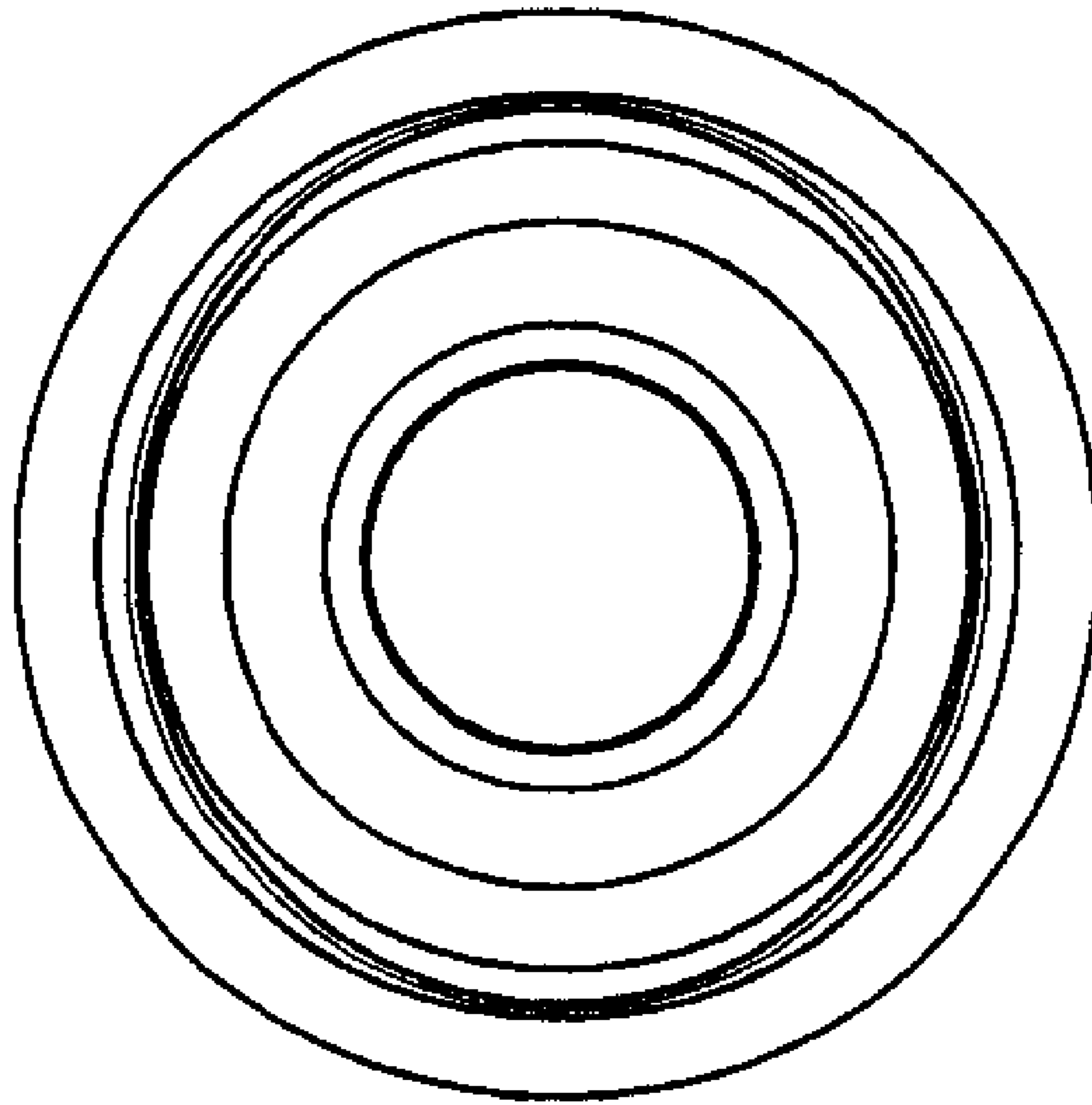


FIG. 7

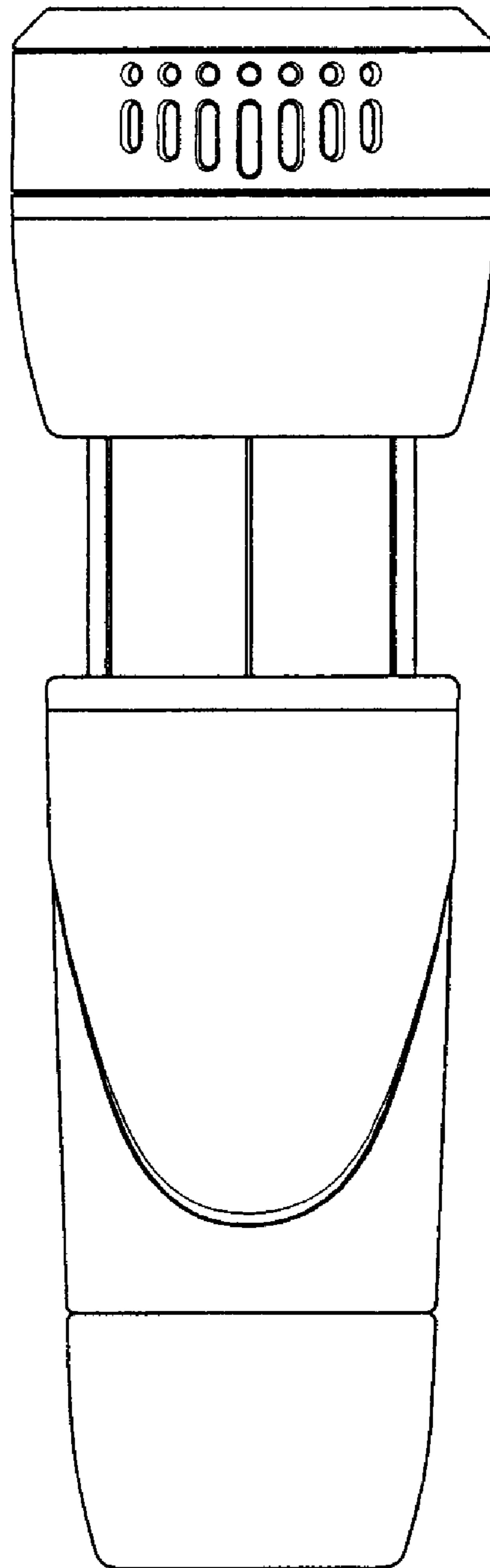


FIG. 8

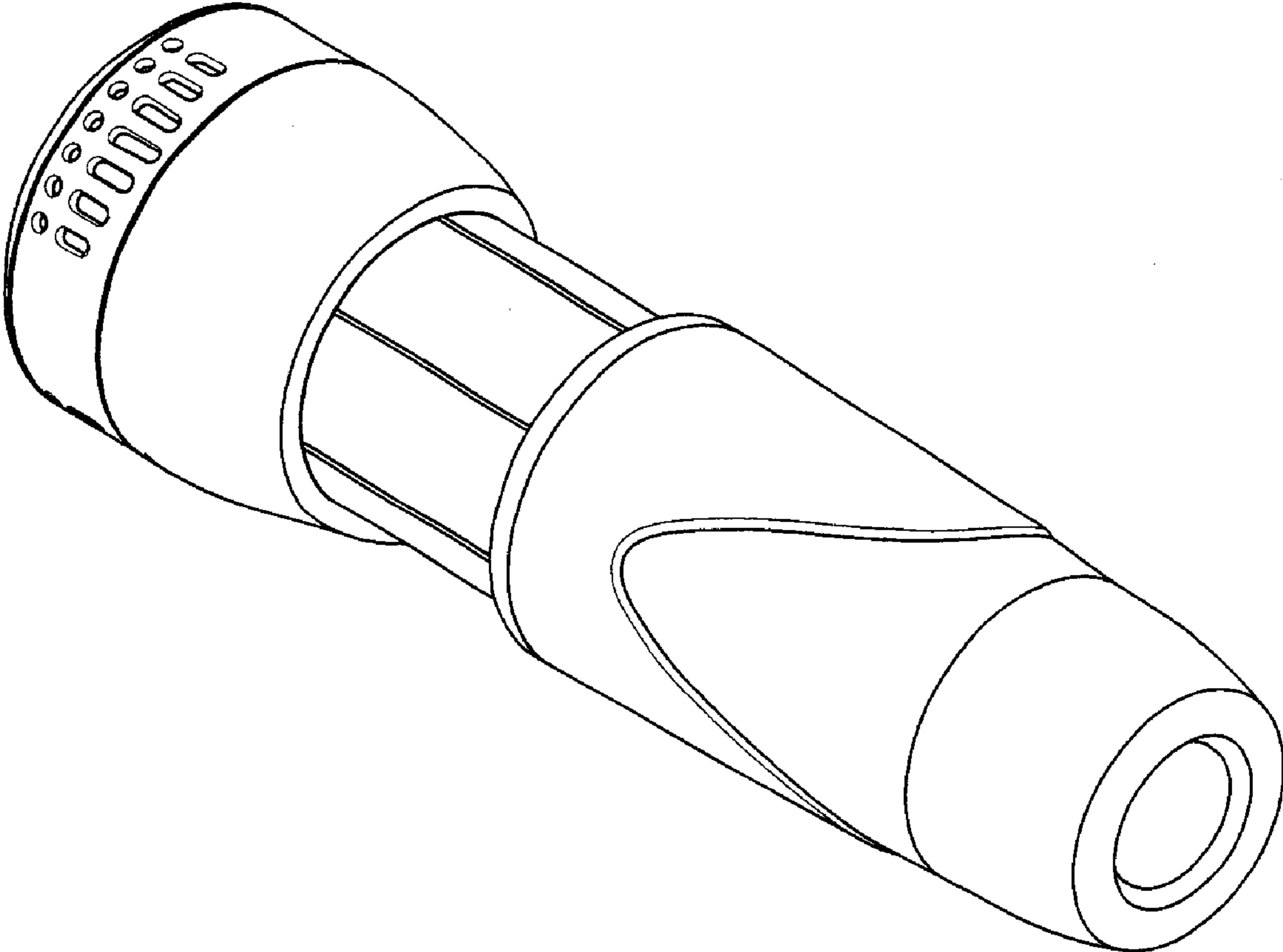


FIG. 9