

US00D503985S

(12) **United States Design Patent**
Sayer et al.

(10) **Patent No.: US D503,985 S**
(45) **Date of Patent: ** Apr. 12, 2005**

(54) **NEWEL**

(76) Inventors: **Kim Lewis Sayer**, 2405 W. Bridle
Meadow Cir., Bluffdale, UT (US)
84065; **Ray G. Tibbitts**, 379 E. 6865
South, Midvale, UT (US) 84065

(**) Term: **14 Years**

(21) Appl. No.: **29/200,319**

(22) Filed: **Feb. 26, 2004**

(51) **LOC (7) Cl.** **25-01**

(52) **U.S. Cl.** **D25/126**

(58) **Field of Search** D25/126; 52/720.1,
52/720.2, 737.1

(56) **References Cited**

U.S. PATENT DOCUMENTS

D430,312 S * 8/2000 Beachy D25/126
D472,650 S * 4/2003 Green D25/126

* cited by examiner

Primary Examiner—Doris Clark
(74) *Attorney, Agent, or Firm*—Parr Waddoups Brown Gee
& Loveless; Timothy B. Smith

(57) **CLAIM**

We claim the ornamental design for a newel, as shown and described.

DESCRIPTION

FIG. 1 is a front elevational view of a newel showing my new design;

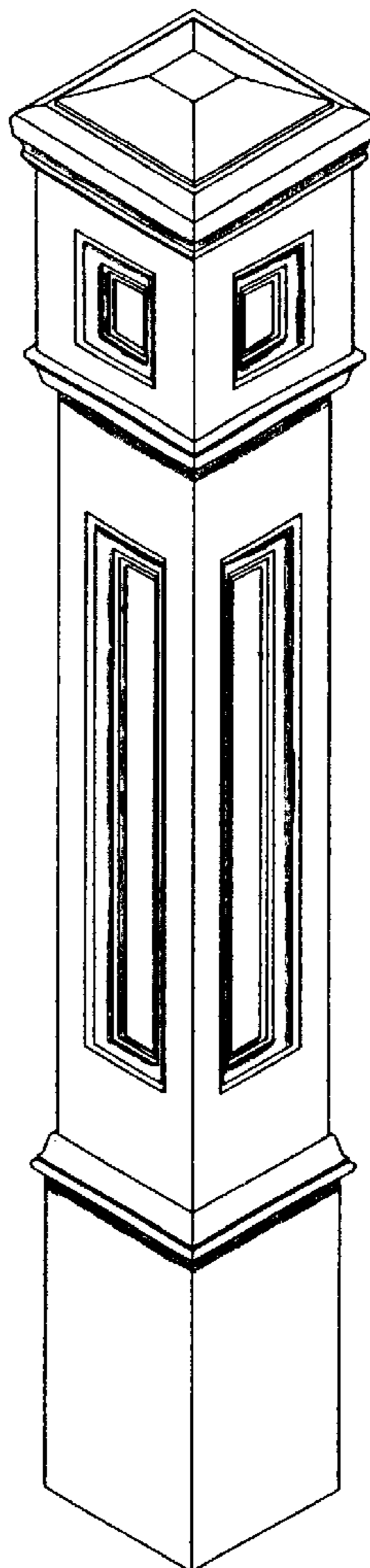
FIG. 2 is a front elevational exploded view thereof, the dashed lines forming no part of the invention;

FIG. 3 is a front perspective view thereof;

FIG. 4 is an exploded view of the base portion of the invention, the dashed lines forming no part of the invention; and,

FIG. 5 is an exploded view of the crown portion of the invention, the dashed lines forming no part of the invention.

1 Claim, 1 Drawing Sheet



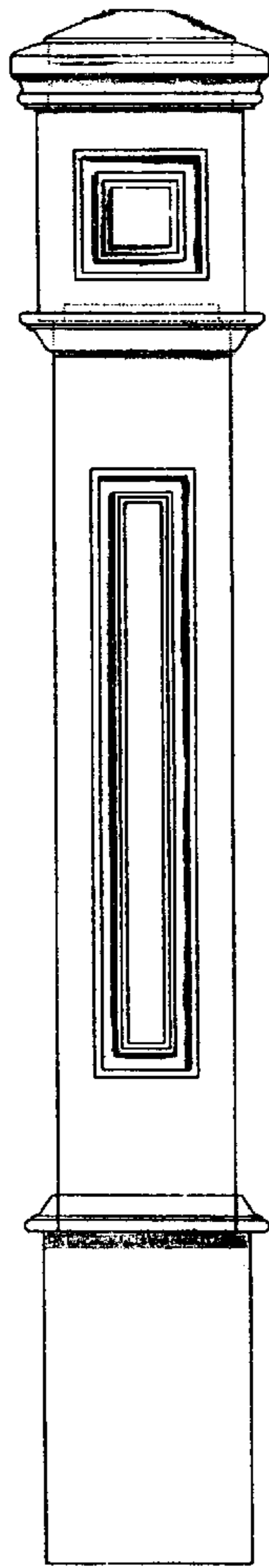


FIG. 1

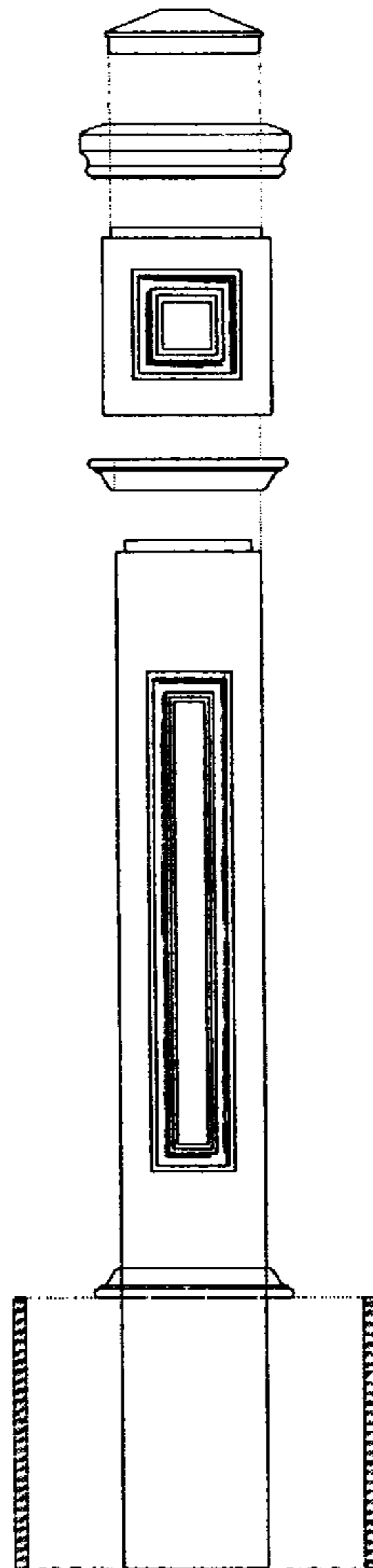


FIG. 2

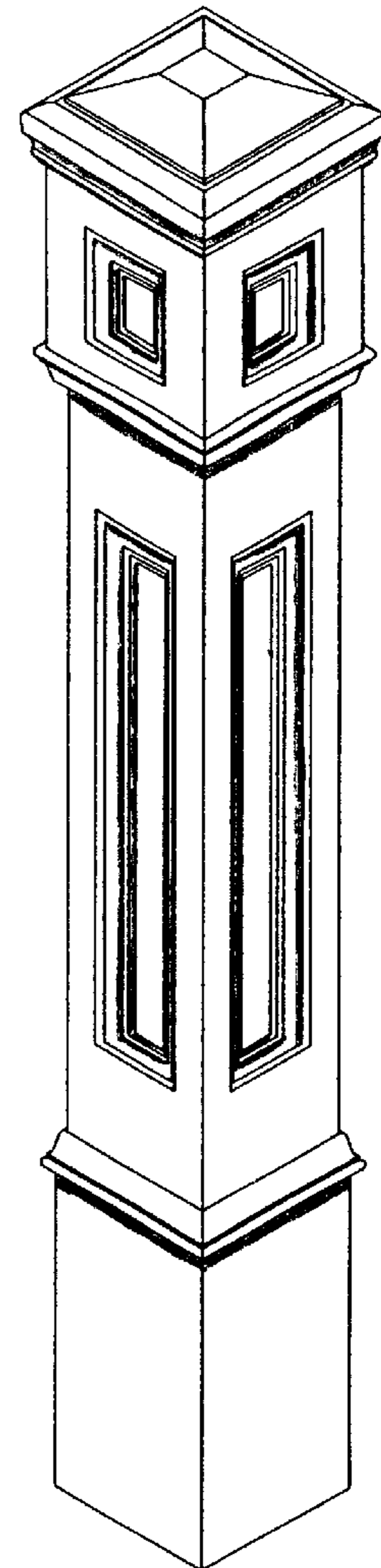


FIG. 3

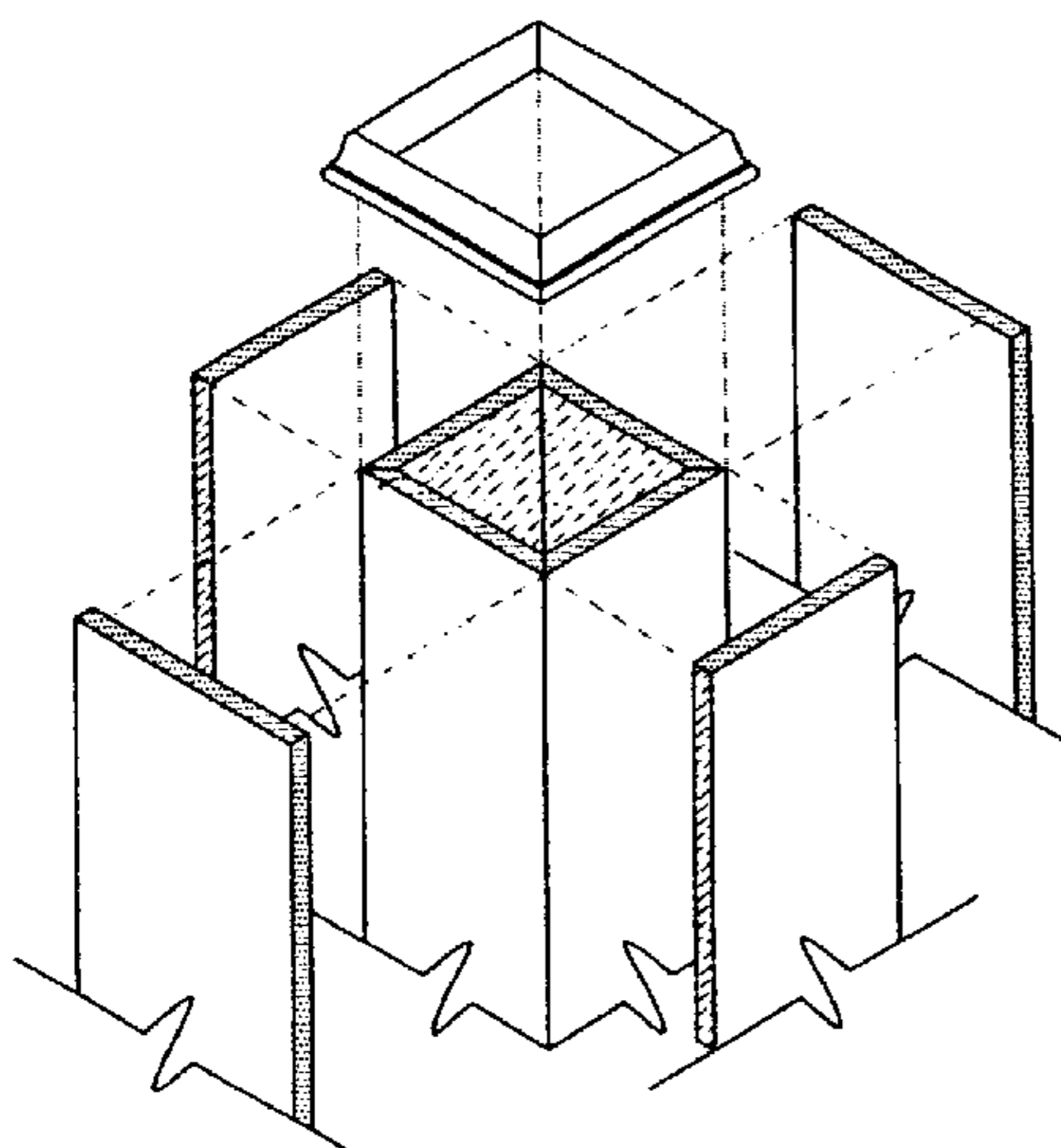


FIG 4

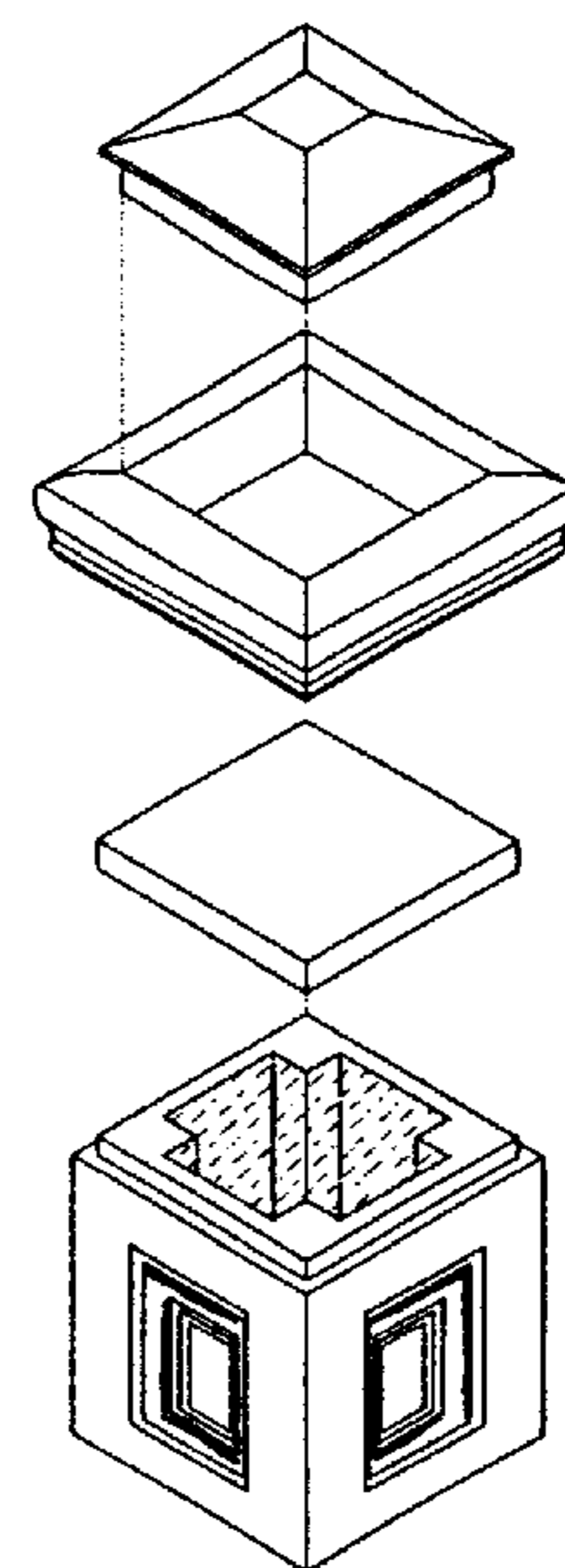


FIG 5