

US00D503981S

(12) **United States Design Patent**  
**Fischer et al.**

(10) **Patent No.:** **US D503,981 S**  
(45) **Date of Patent:** **\*\* Apr. 12, 2005**

(54) **CARRIER FOR MEDICAL INSTRUMENTS**

(75) Inventors: **Klaus Fischer**, Nagold (DE); **Ralf Kühner**, Stuttgart (DE)

(73) Assignee: **Erbe Elektromedizin GmbH**,  
Tubingen (DE)

(\*\*) Term: **14 Years**

(21) Appl. No.: **29/152,949**

(22) Filed: **Oct. 29, 2001**

(30) **Foreign Application Priority Data**

Apr. 27, 2001 (DE) ..... 4 01 04 218

(51) **LOC (7) Cl.** ..... **24-01**

(52) **U.S. Cl.** ..... **D24/185**

(58) **Field of Search** ..... D24/105, 107,  
D24/108, 144, 111, 167, 169, 185, 186;  
604/332, 19, 22, 66, 131, 132, 133; 606/32,  
34; 600/103, 104; 312/216, 217, 222, 209

(56) **References Cited**

**U.S. PATENT DOCUMENTS**

D347,896 S \* 6/1994 Dickinson et al. .... D24/185

D355,257 S \* 2/1995 Nobles ..... D24/185  
D382,058 S \* 8/1997 Ellman et al. .... D24/185  
D383,210 S \* 9/1997 Child et al. .... D24/185  
D438,952 S \* 3/2001 Cimino et al. .... D24/107

\* cited by examiner

*Primary Examiner*—Louis S. Zarfaz

*Assistant Examiner*—John Windmuller

(74) *Attorney, Agent, or Firm*—Marshall, Gerstein & Borun  
LLP

(57) **CLAIM**

The ornamental design for a carrier for medical instruments,  
as shown and described.

**DESCRIPTION**

FIG. 1 is a perspective view of a carrier for medical instruments showing our new design; FIG. 2 is a front elevational view thereof; FIG. 3 is a rear elevational view thereof; FIG. 4 is a left side elevational view thereof; FIG. 5 is a right side elevational view thereof; FIG. 6 is a top plan view thereof; and, FIG. 7 is a bottom plan view thereof.

**1 Claim, 4 Drawing Sheets**

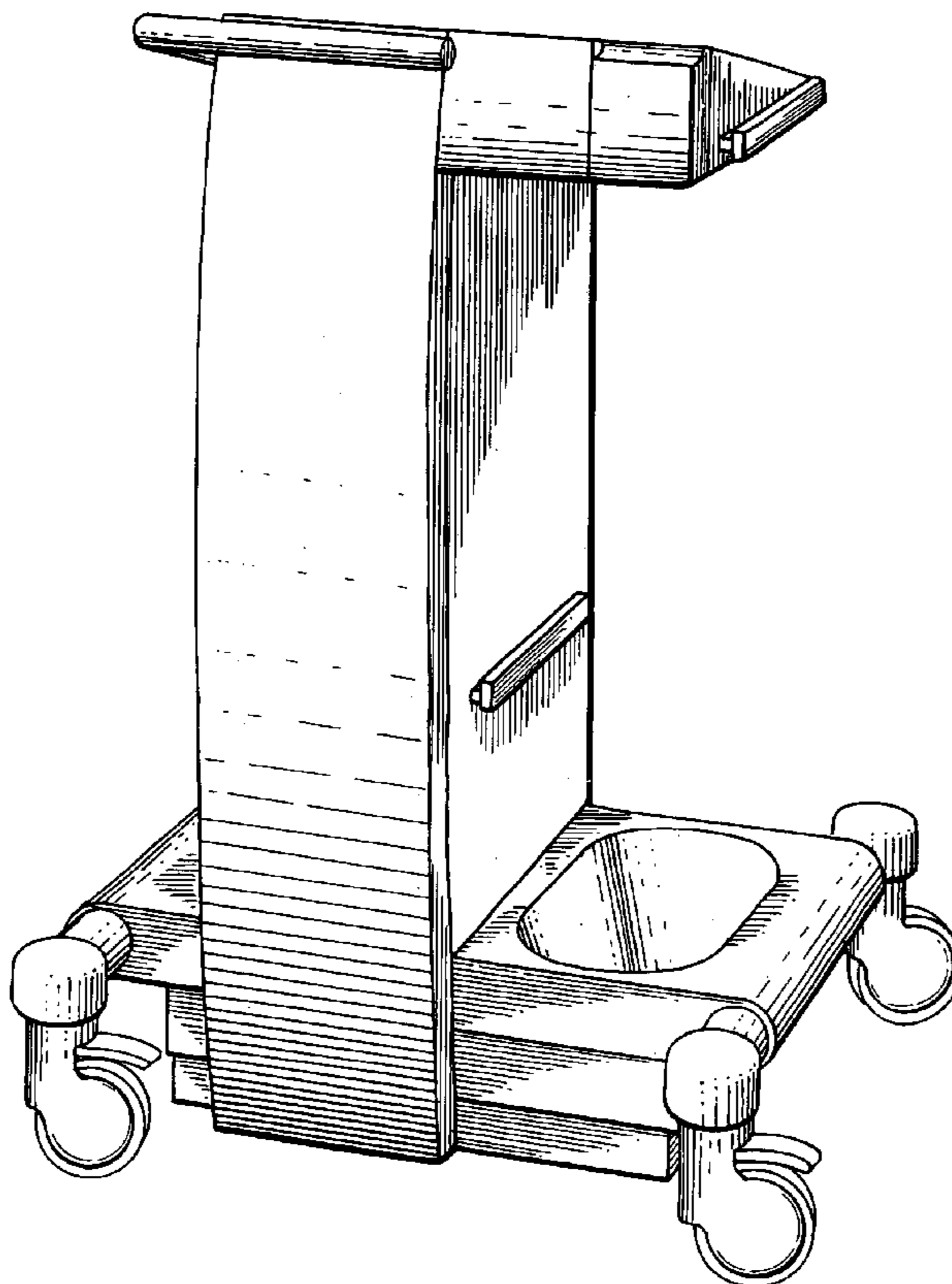


FIG. 1

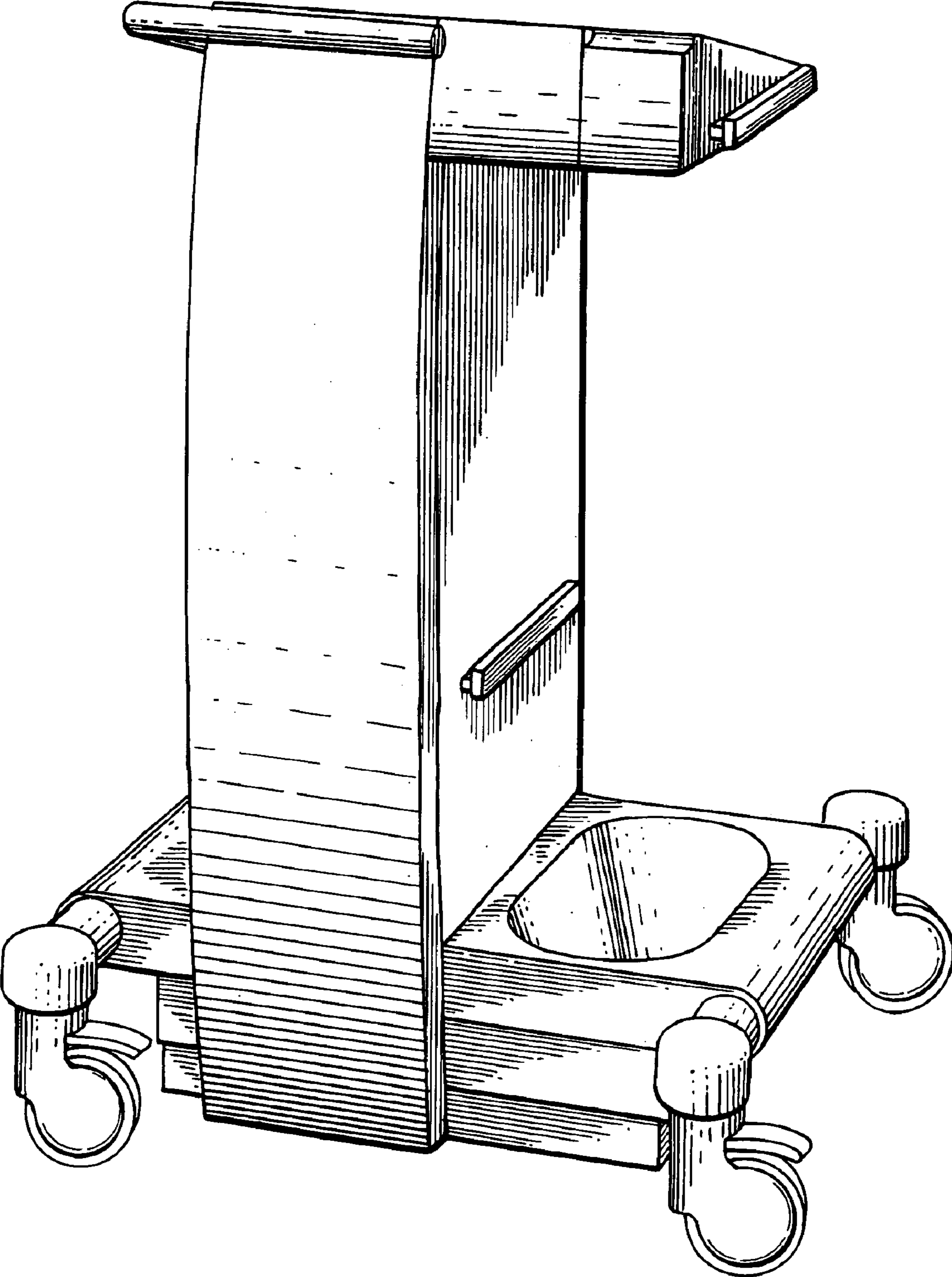


FIG.3

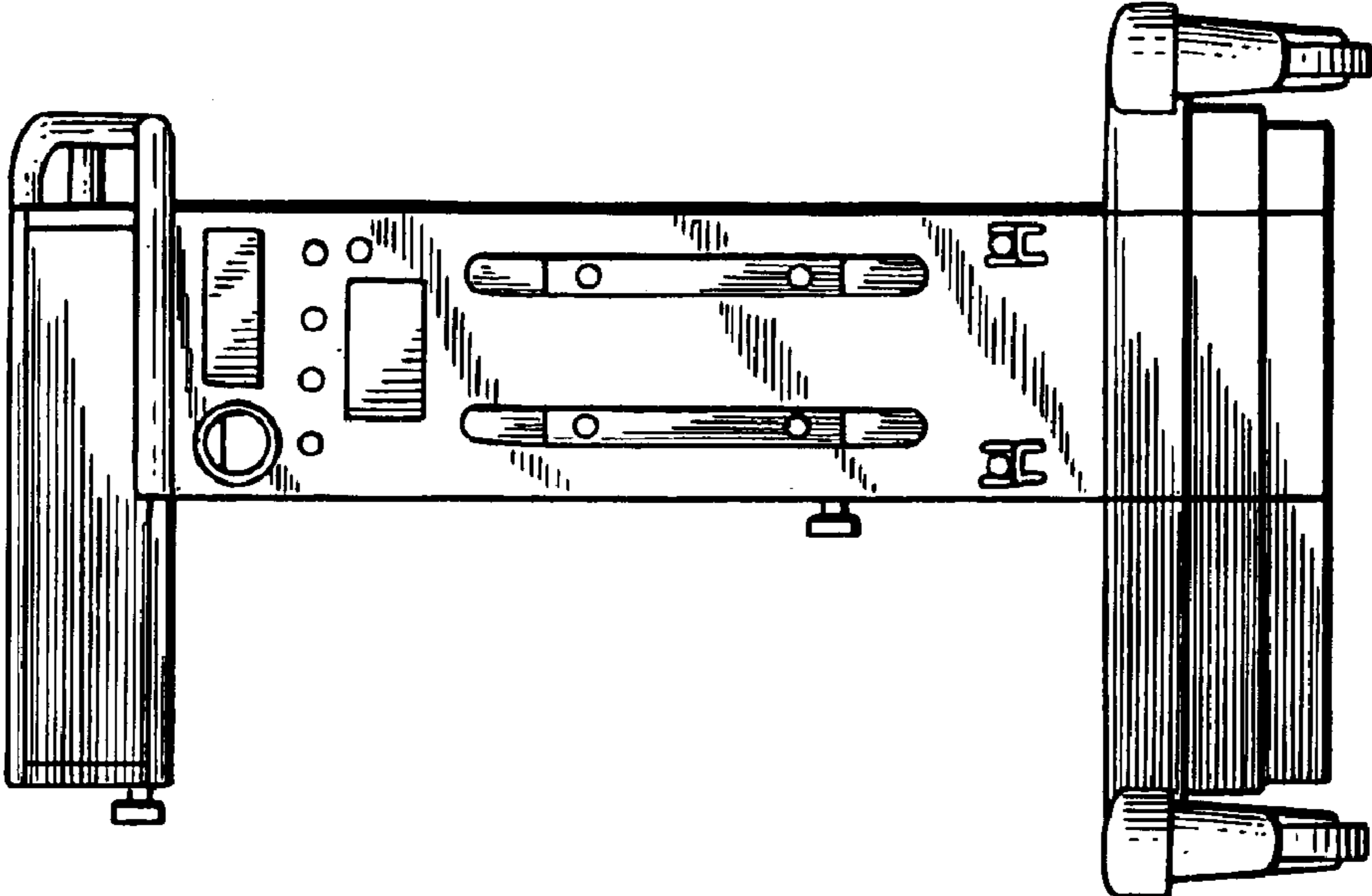


FIG.2

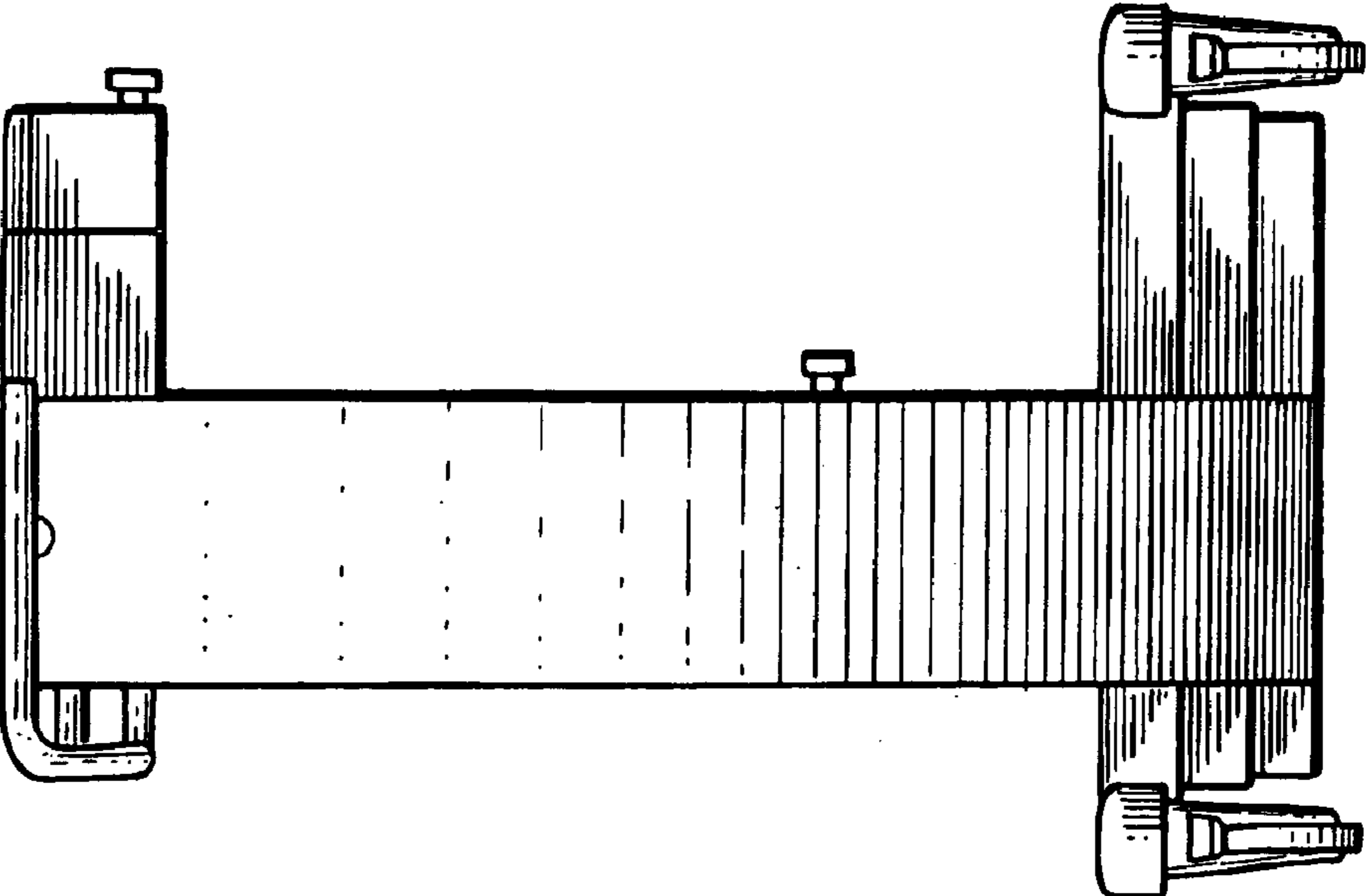


FIG. 5

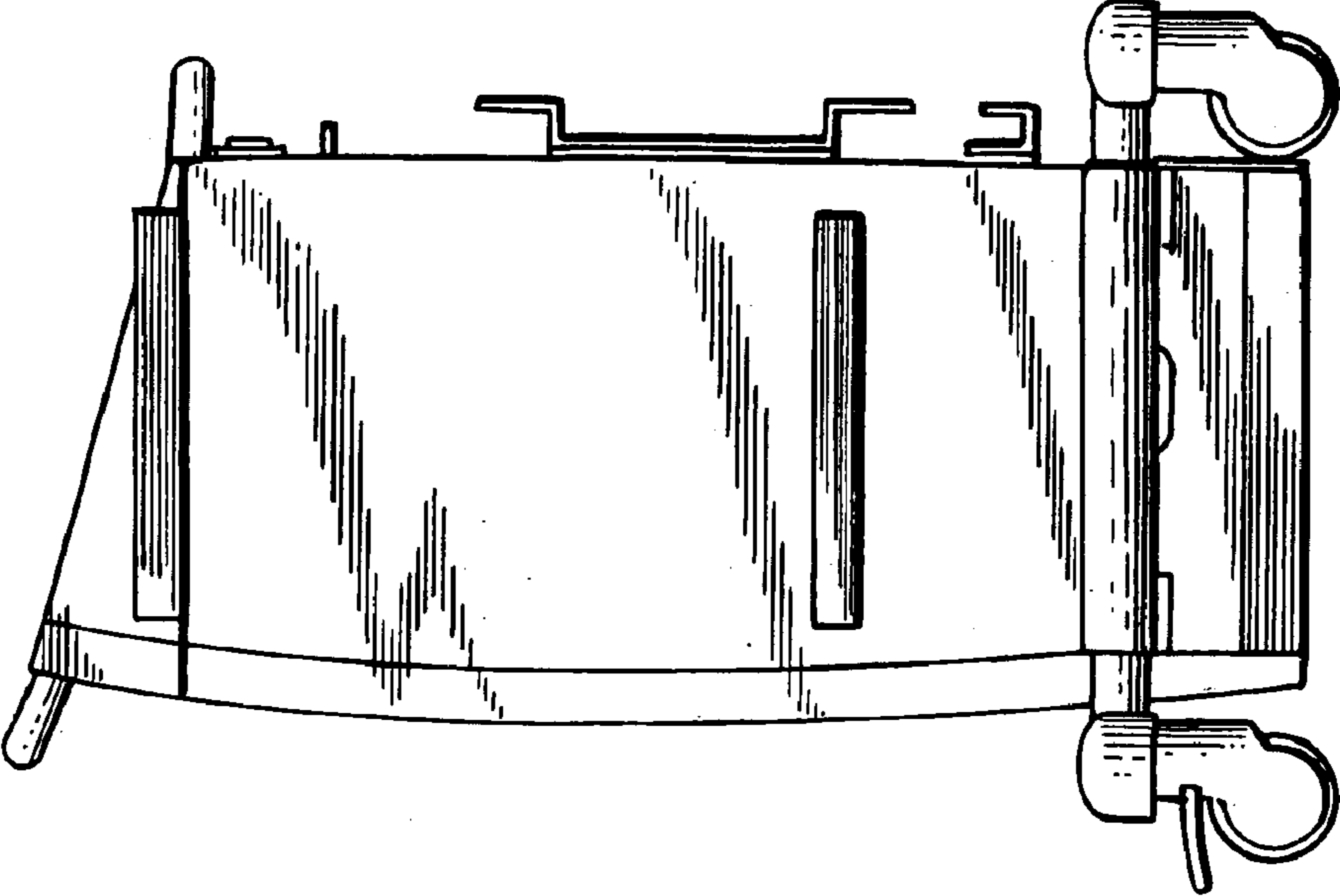


FIG. 4

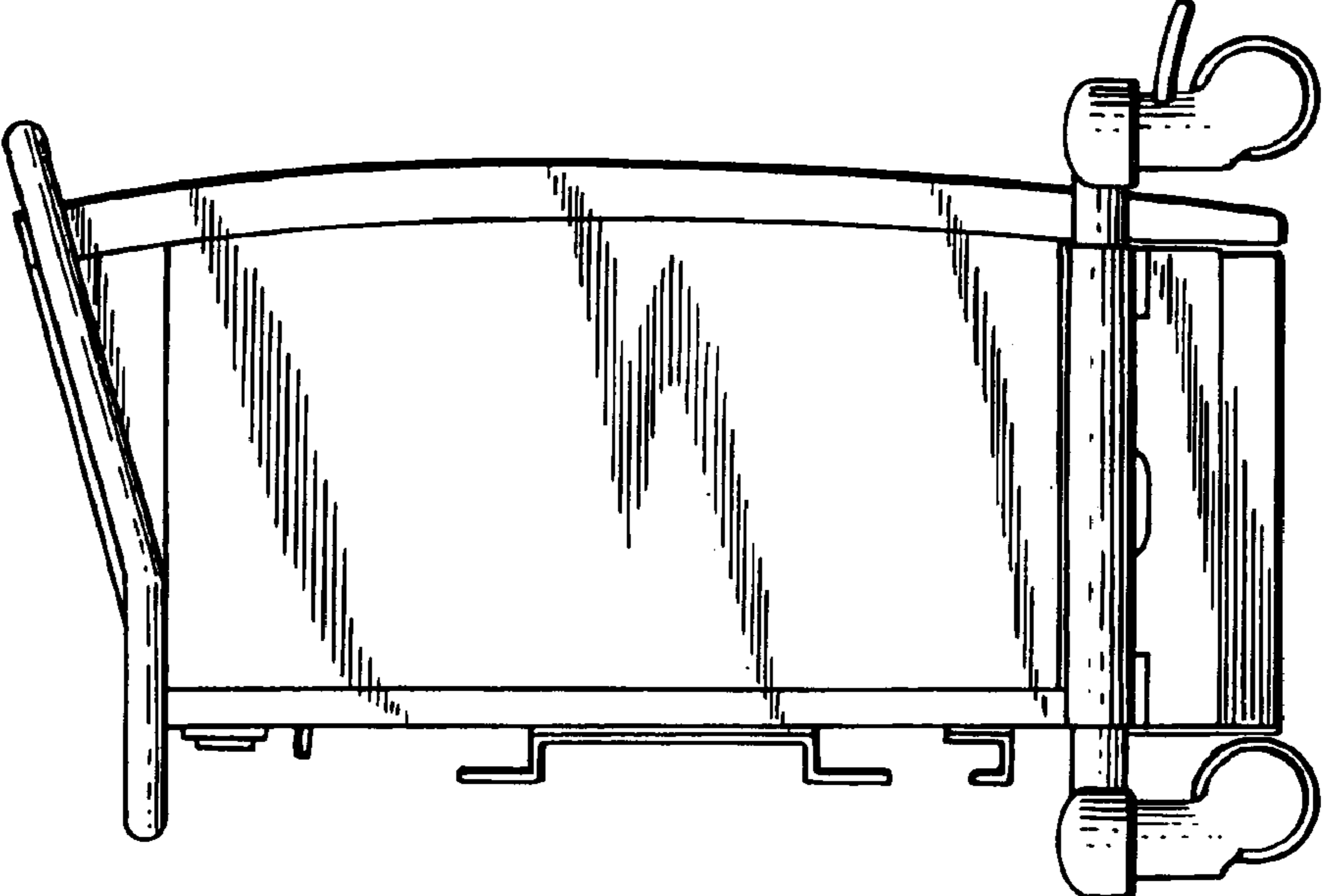


FIG. 6

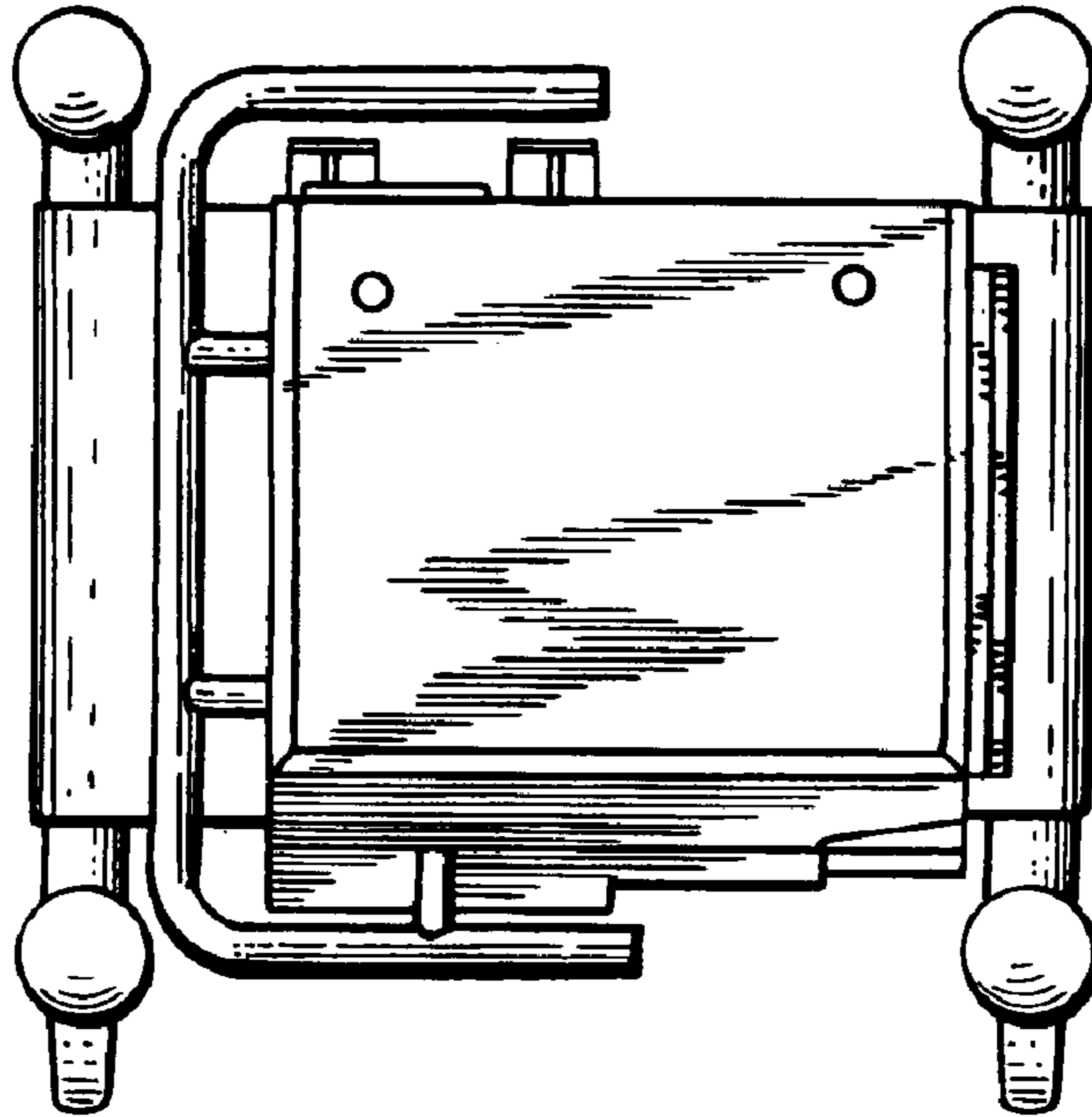


FIG. 7

