

US00D503979S

(12) **United States Design Patent**
Khalaj

(10) **Patent No.:** **US D503,979 S**
(45) **Date of Patent:** **** Apr. 12, 2005**

(54) **PORTABLE MICRODERMABRASION
DEVICE**

(76) **Inventor:** **Ben M. Khalaj**, 106 Arista, San
Clemente, CA (US) 92673

(**) **Term:** **14 Years**

(21) **Appl. No.:** **29/189,538**

(22) **Filed:** **Sep. 5, 2003**

(51) **LOC (7) Cl.** **24-02**

(52) **U.S. Cl.** **D24/146**

(58) **Field of Search** D24/146; 606/133,
606/131; 451/92, 87, 101

(56) **References Cited**

U.S. PATENT DOCUMENTS

6,250,996	B1	*	6/2001	Metcalf et al.	451/87
D450,842	S	*	11/2001	Simon et al.	D24/146
2001/0023351	A1	*	9/2001	Eilers et al.	606/131
2003/0093089	A1	*	5/2003	Greenberg	606/131

2003/0212415 A1 * 11/2003 Karasiuk 606/131

* cited by examiner

Primary Examiner—Ian Simmons

(57) **CLAIM**

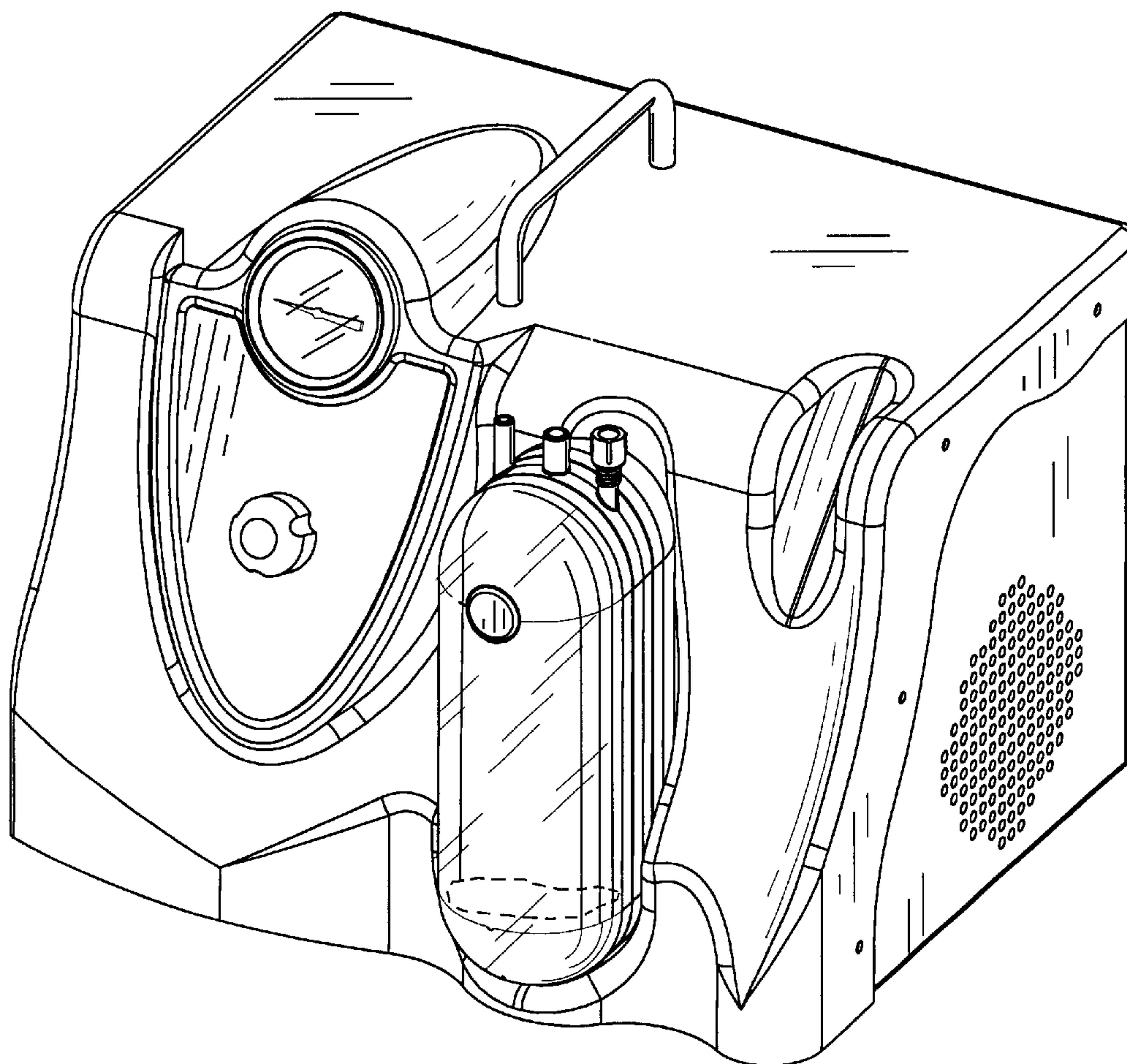
The ornamental design for a portable microdermabrasion device, as shown and described.

DESCRIPTION

FIG. 1 is a top perspective view of a portable microdermabrasion device showing my new design;
FIG. 2 is a top plan view thereof;
FIG. 3 is a front elevation view thereof;
FIG. 4 is a bottom elevation view thereof;
FIG. 5 is a left side elevation view thereof;
FIG. 6 is a right side elevation view thereof; and,
FIG. 7 is a rear elevation view thereof.

The broken line showing is for illustrative purposes only and forms no part of the claimed design.

1 Claim, 4 Drawing Sheets



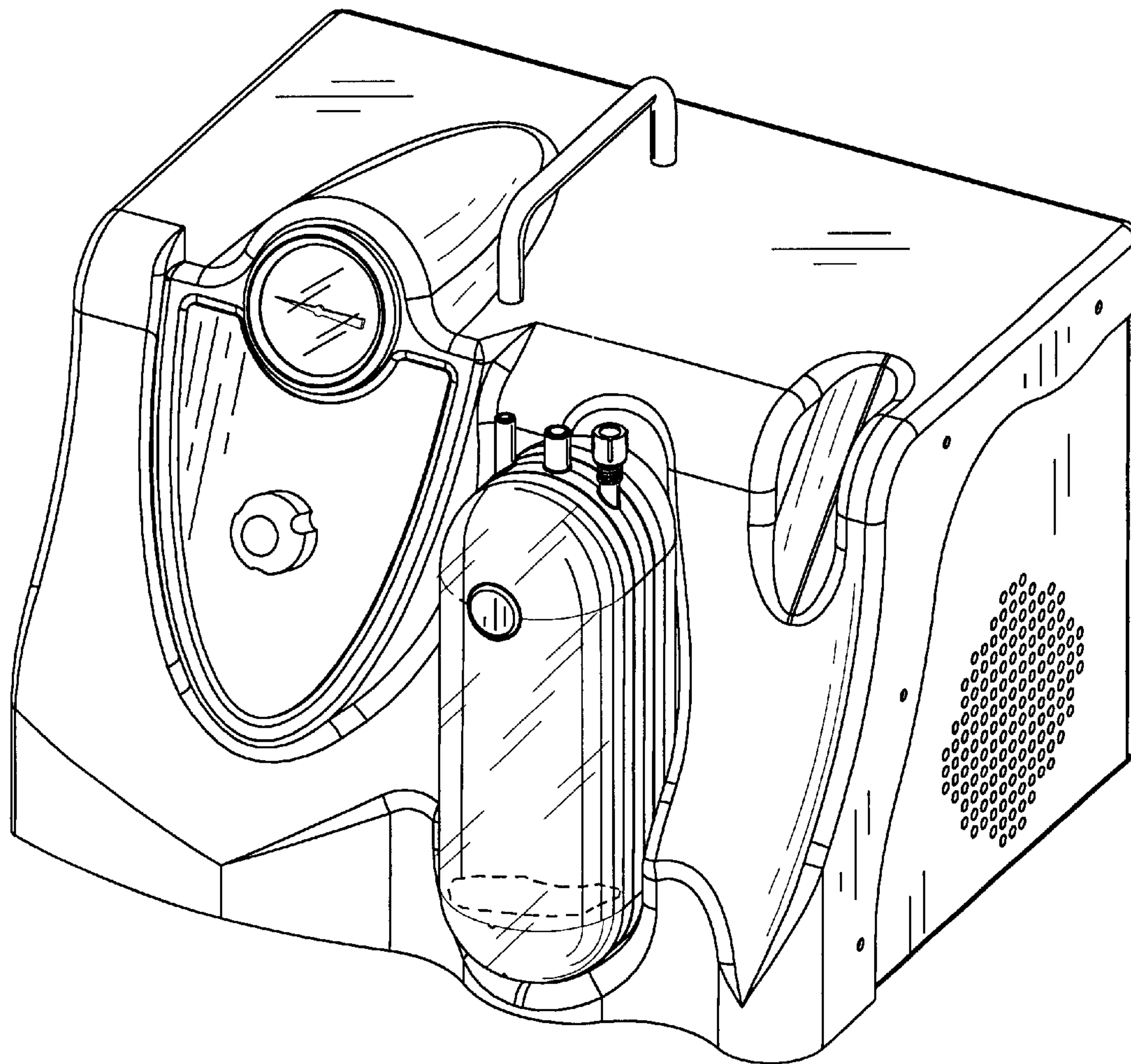


Fig. 1

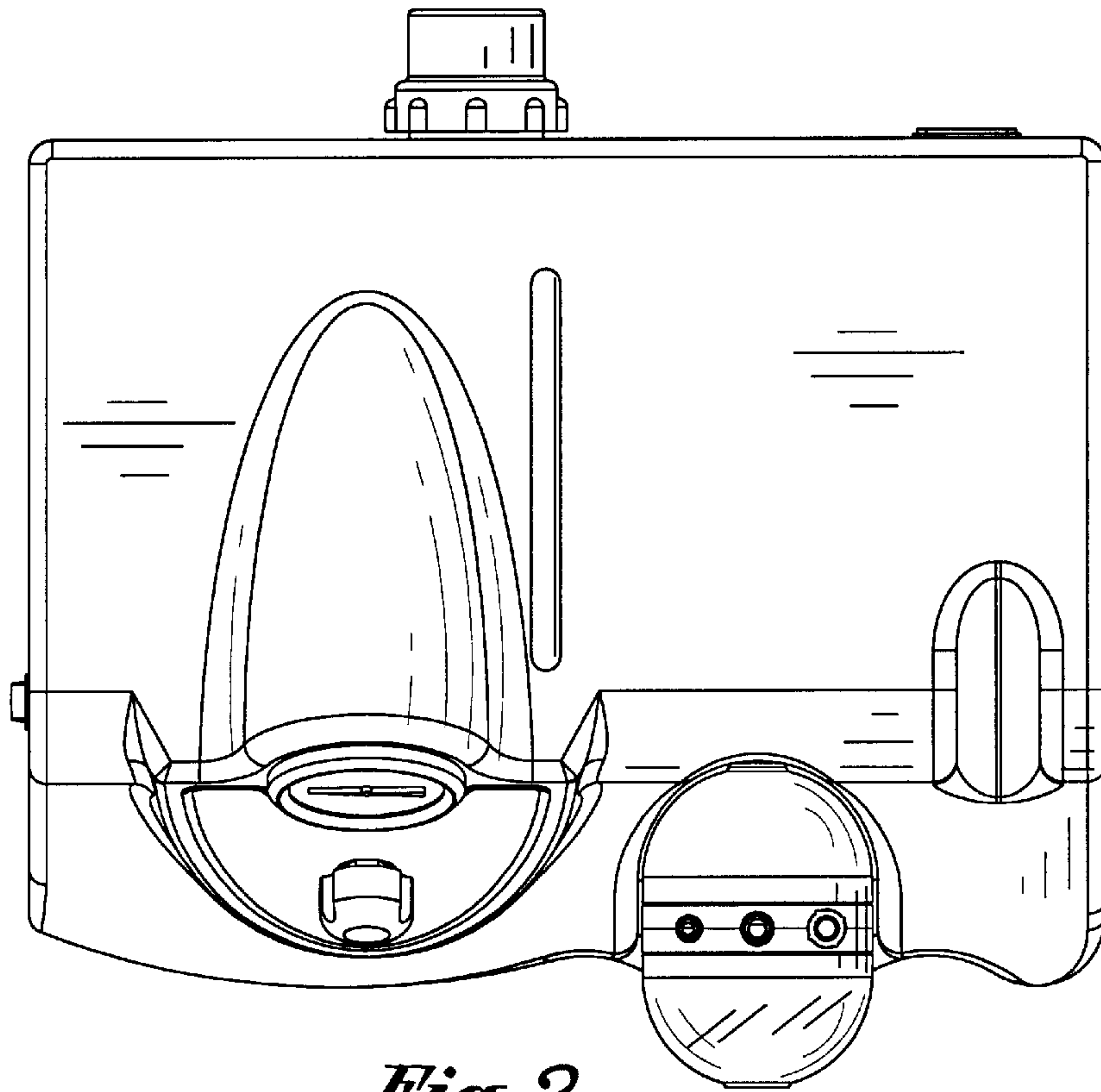


Fig. 2

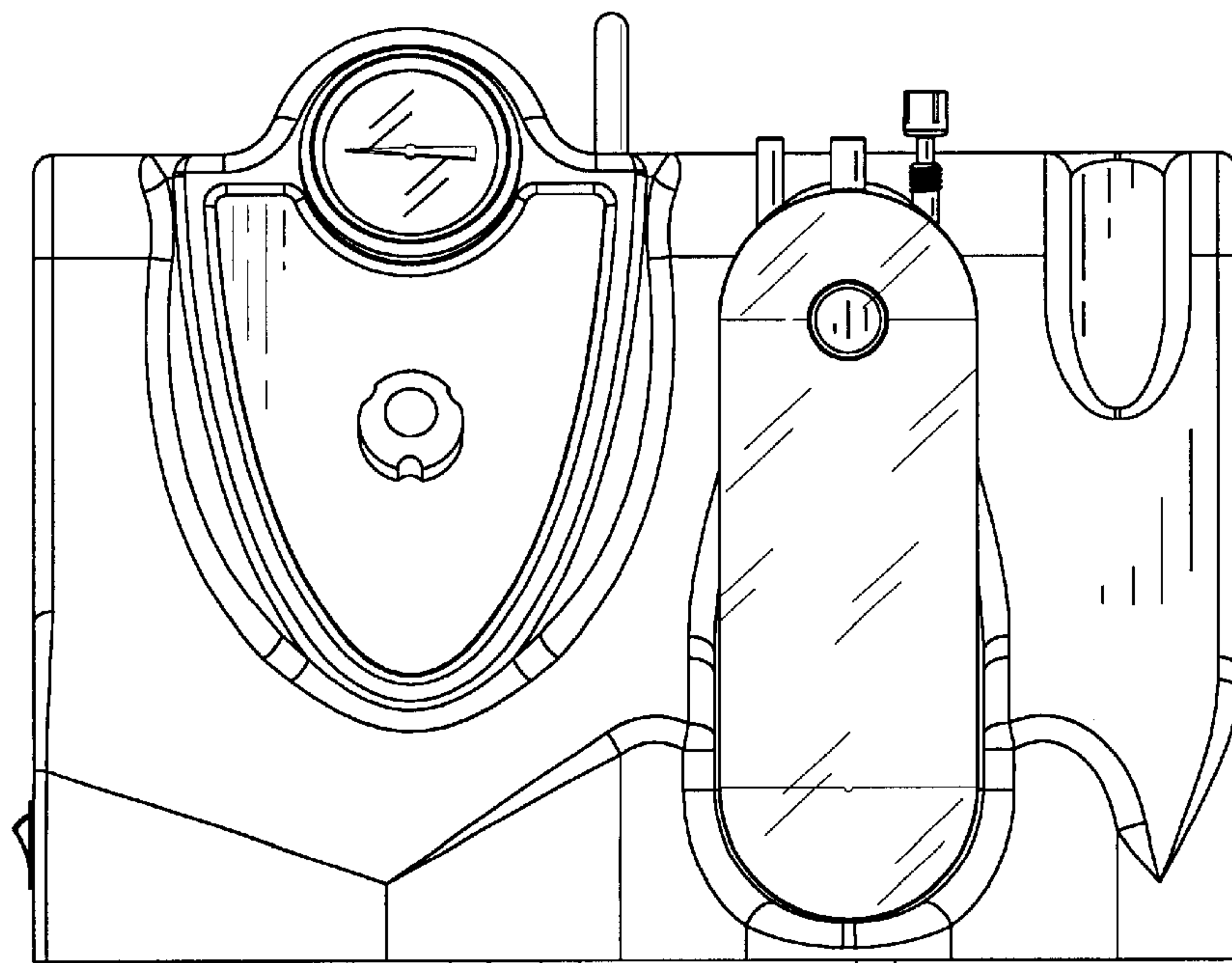


Fig. 3

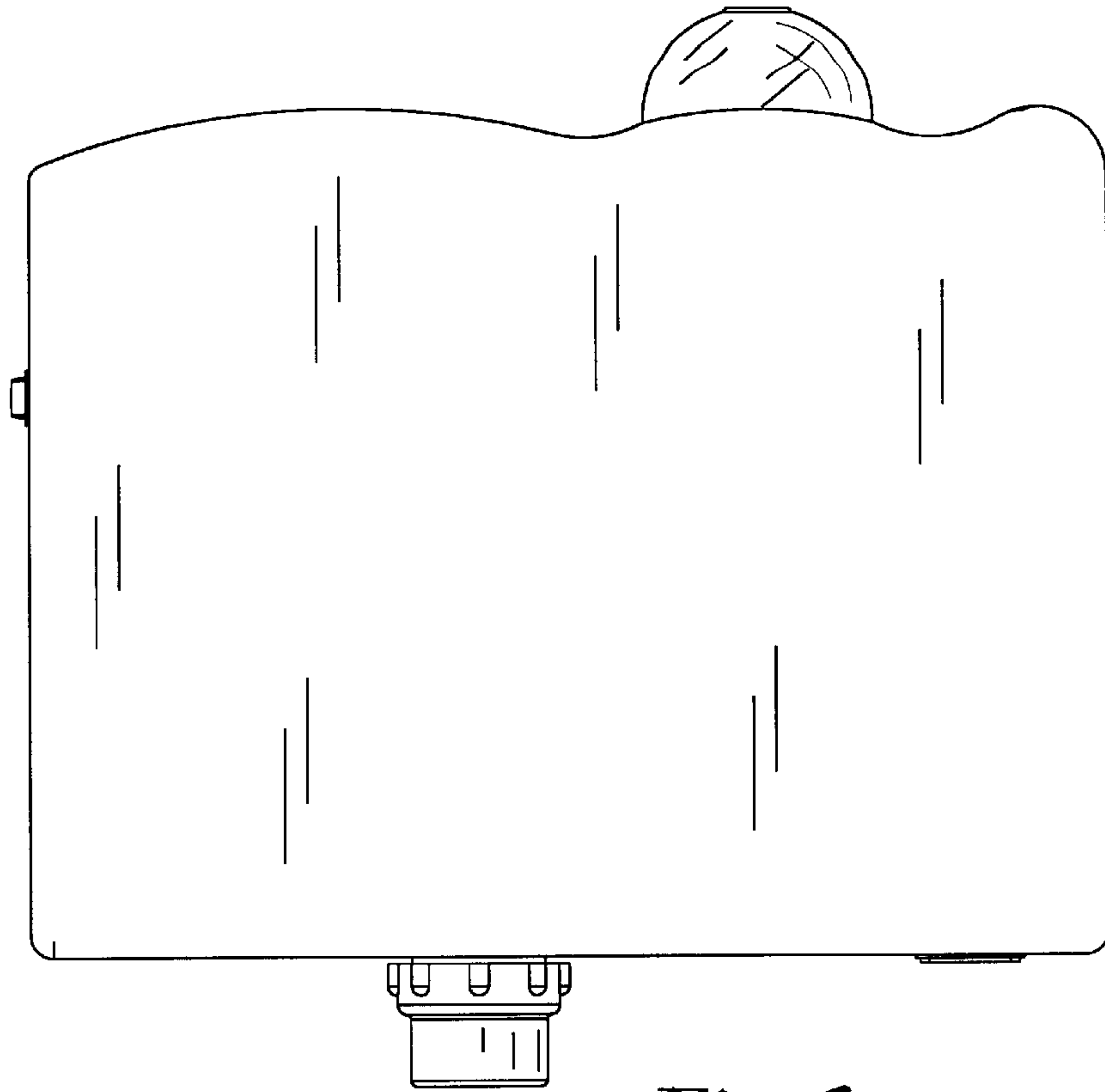


Fig. 4

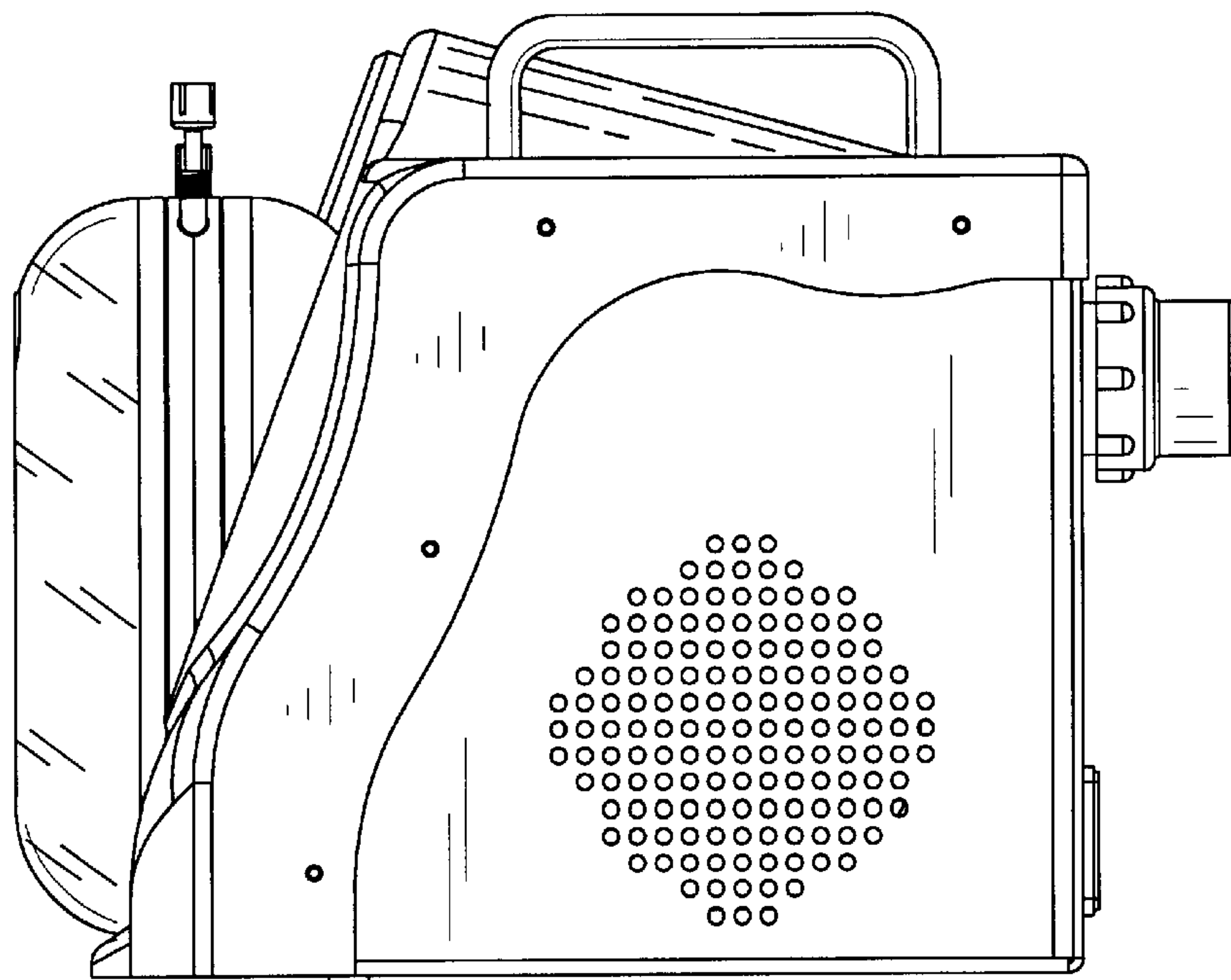


Fig. 5

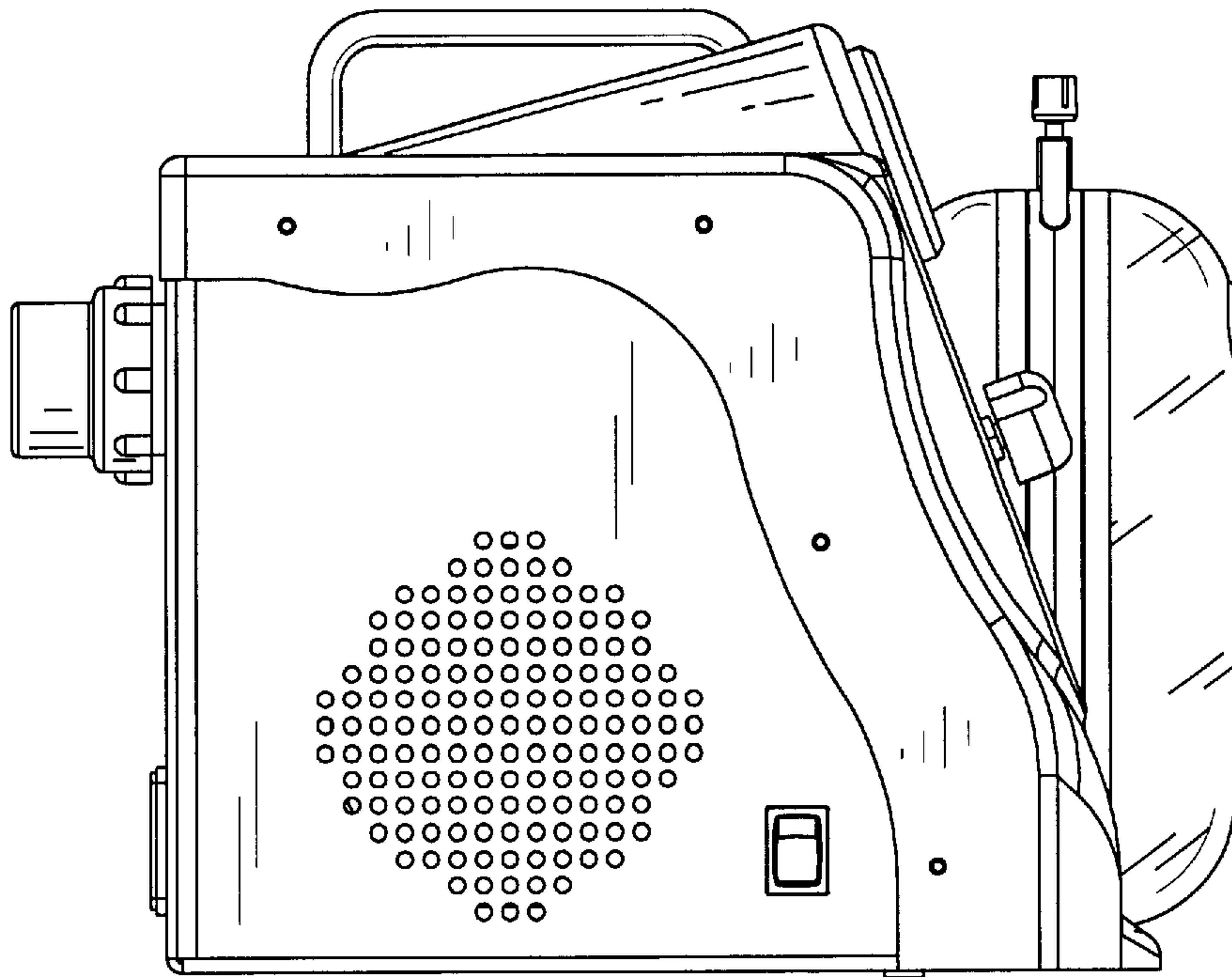


Fig. 6

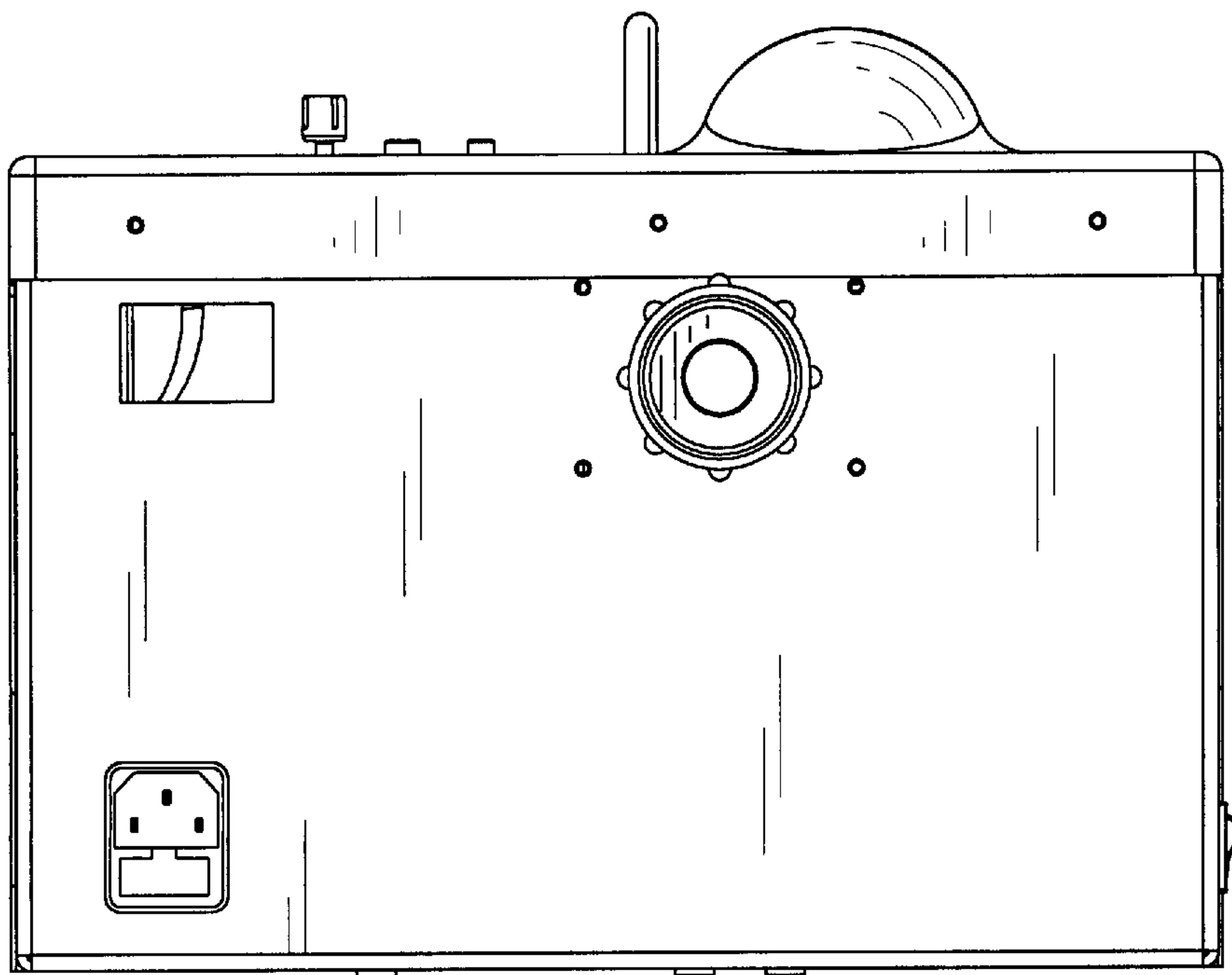


Fig. 7