

US00D503973S

(12) **United States Design Patent**  
**Millan**

(10) **Patent No.:** **US D503,973 S**  
(45) **Date of Patent:** **\*\* Apr. 12, 2005**

(54) **ACTIVE SUBSTANCES DIFFUSER**

D487,144 S \* 2/2004 Choke-arpornchai et al. ... D23/366

(75) Inventor: **Jordi Basagañas Millan**, Barcelona (ES)

\* cited by examiner

(73) Assignee: **DBK España, S.A.**, Barcelona (ES)

*Primary Examiner*—Lisa Lichtenstein

(\*\*) Term: **14 Years**

(74) *Attorney, Agent, or Firm*—Michael Best & Friedrich LLP

(21) Appl. No.: **29/187,628**

(57) **CLAIM**

(22) Filed: **Aug. 5, 2003**

The ornamental design for an active substances diffuser, as shown.

(30) **Foreign Application Priority Data**

**DESCRIPTION**

Feb. 18, 2003 (ES) ..... 156265

(51) **LOC (7) Cl.** ..... **23-04**

(52) **U.S. Cl.** ..... **D23/366**

(58) **Field of Search** ..... D23/366-369;  
239/52, 53, 57-59, 34, 60; 261/DIG. 65;  
422/305, 120; 454/157, 156

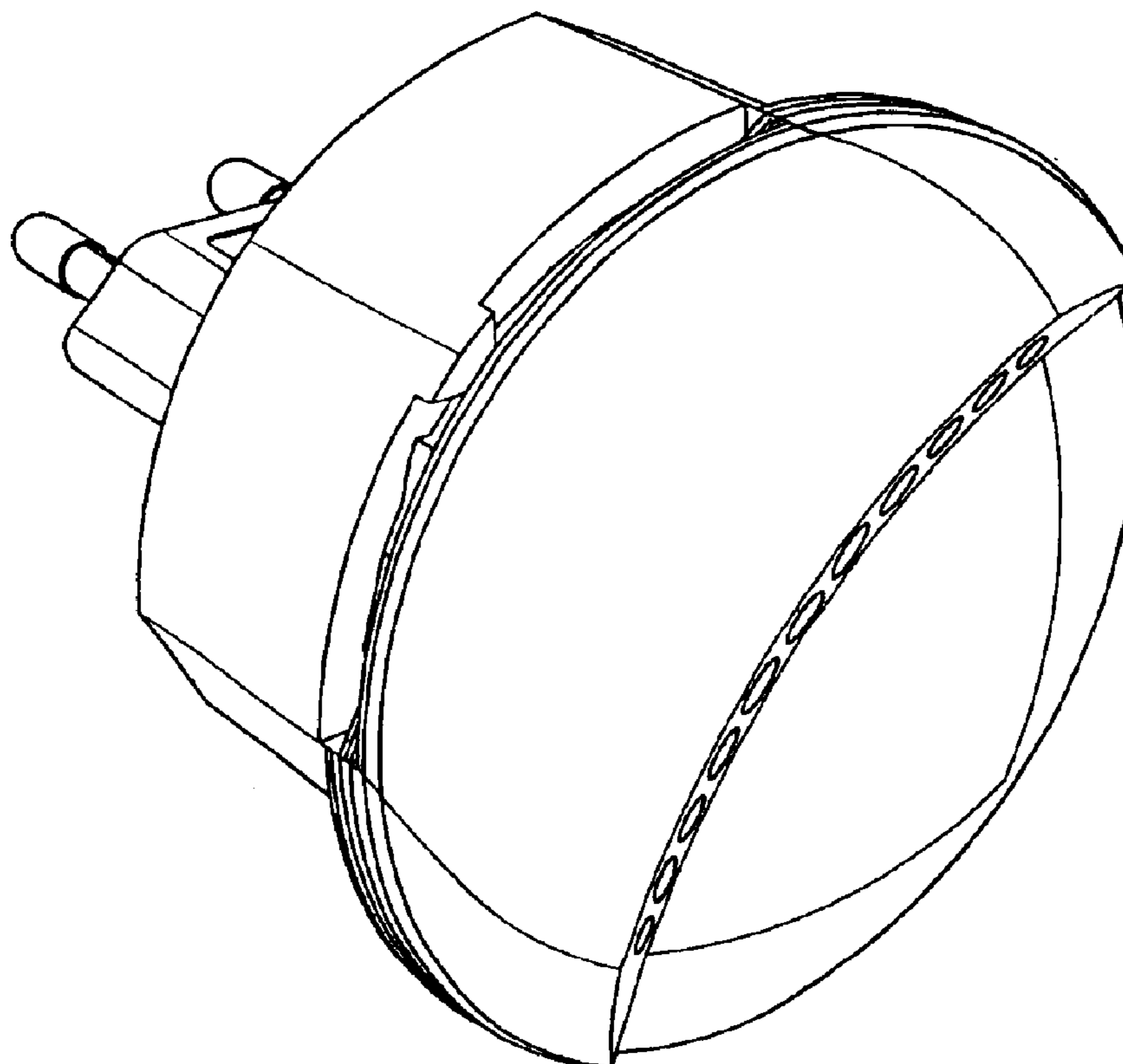
FIG. 1 is a first perspective view of the instant invention;  
FIG. 2 is a second perspective view thereof;  
FIG. 3 is a front elevational view thereof;  
FIG. 4 is a right side elevational view thereof;  
FIG. 5 is a bottom plan view thereof;  
FIG. 6 is a rear elevational view thereof;  
FIG. 7 is a left side elevational view thereof; and,  
FIG. 8 is a top plan view thereof.

(56) **References Cited**

**U.S. PATENT DOCUMENTS**

D325,253 S \* 4/1992 Muderlak ..... D23/366

**1 Claim, 8 Drawing Sheets**



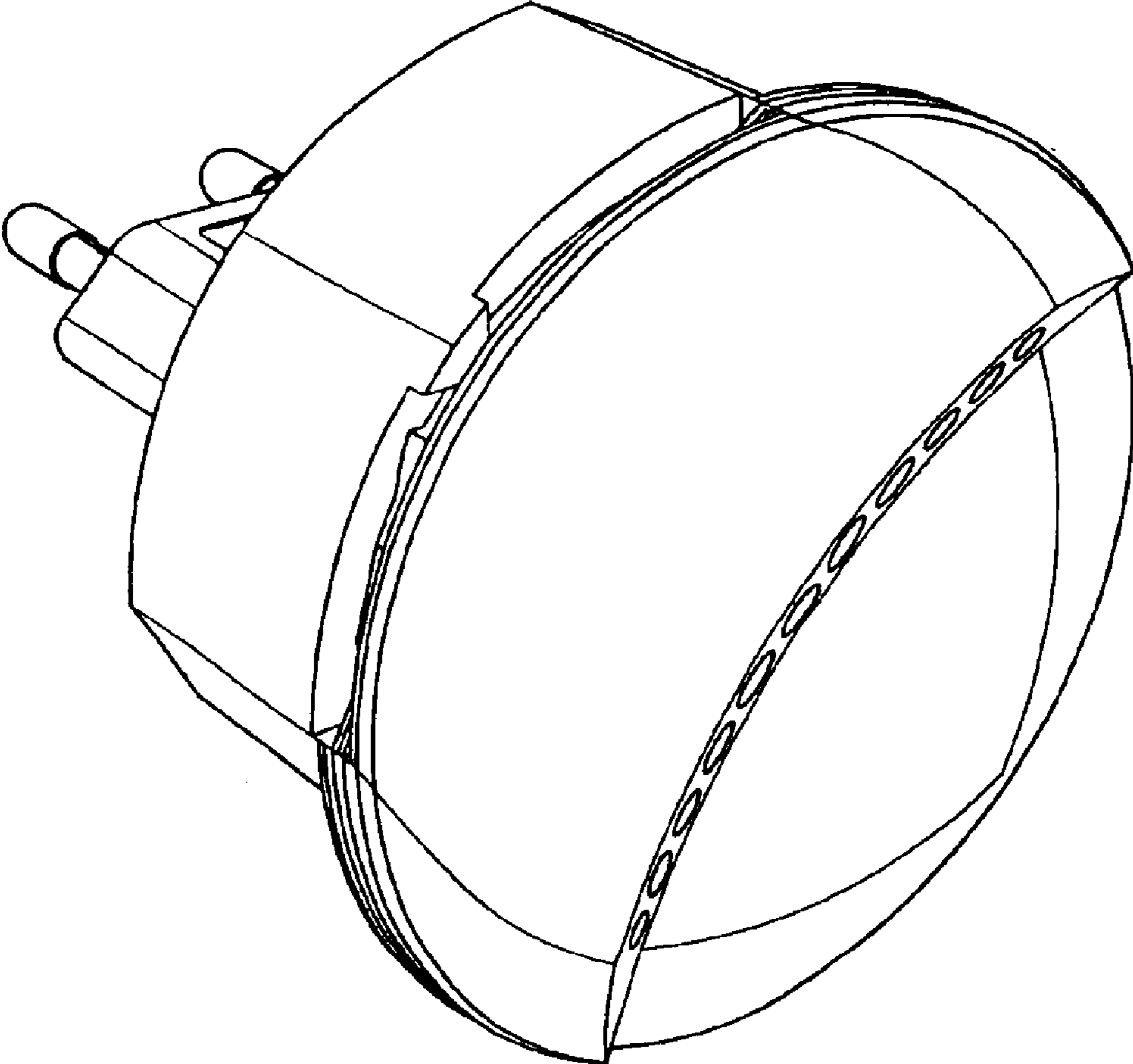


FIG.1

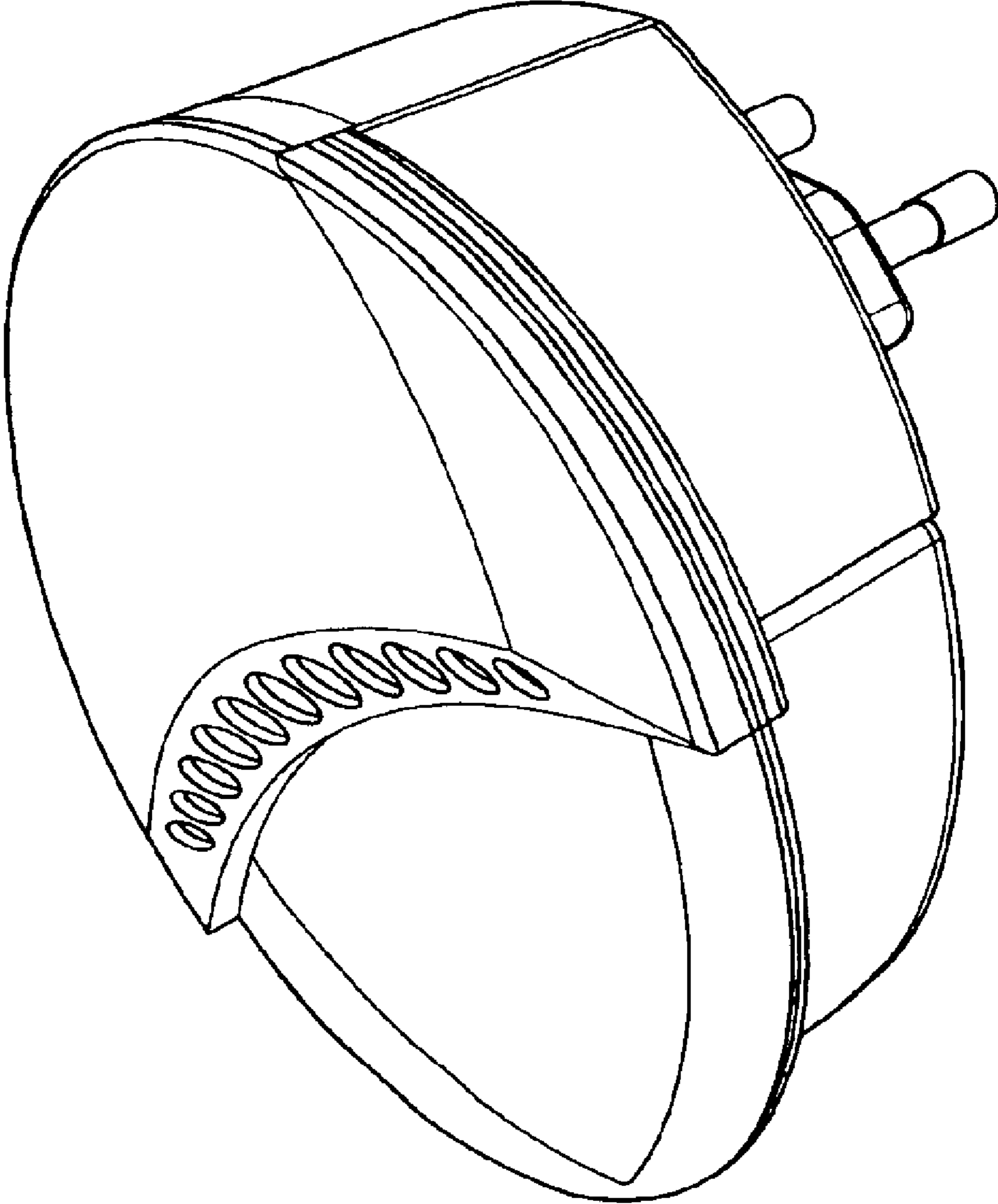


FIG.2

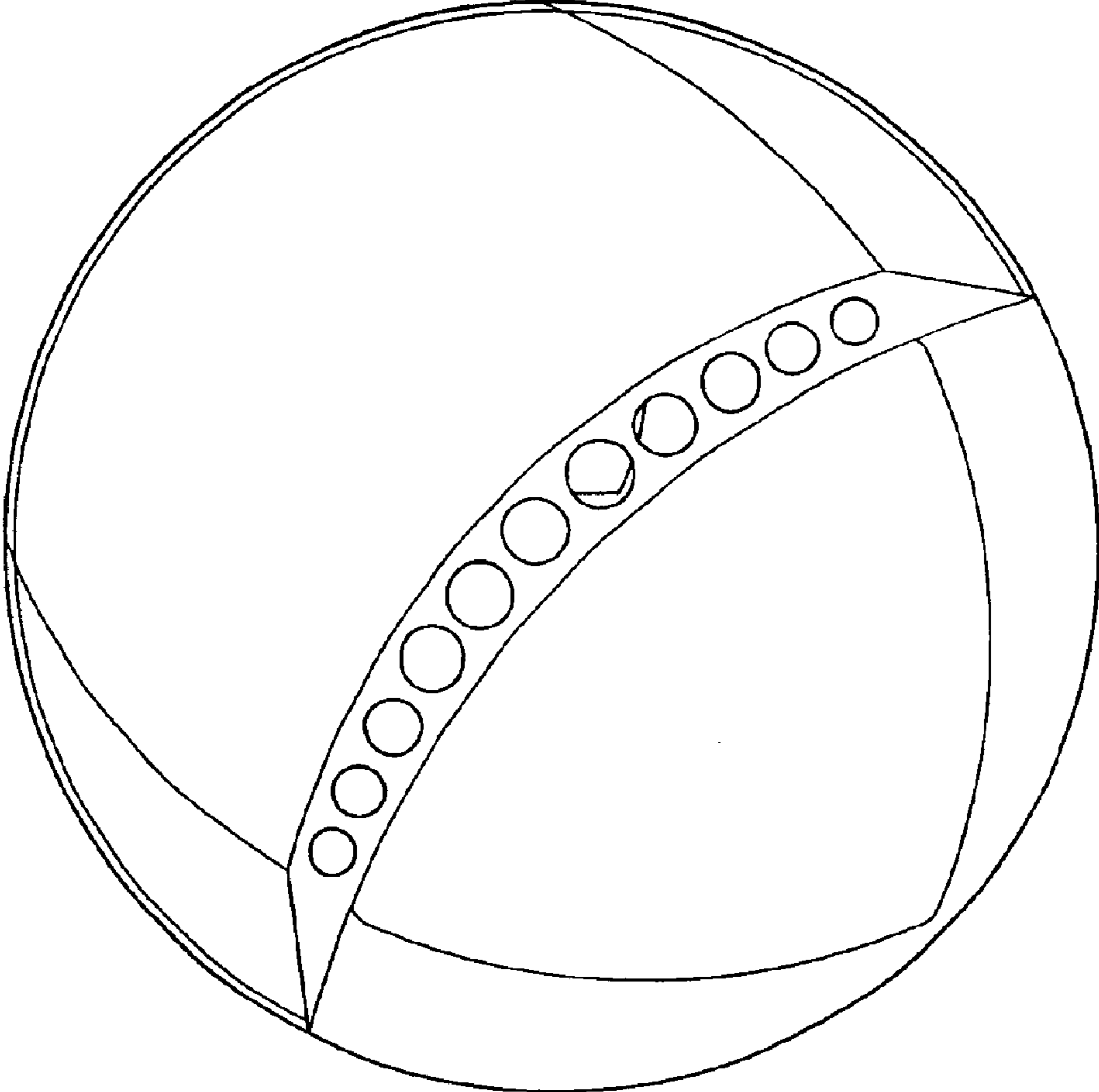


FIG.3

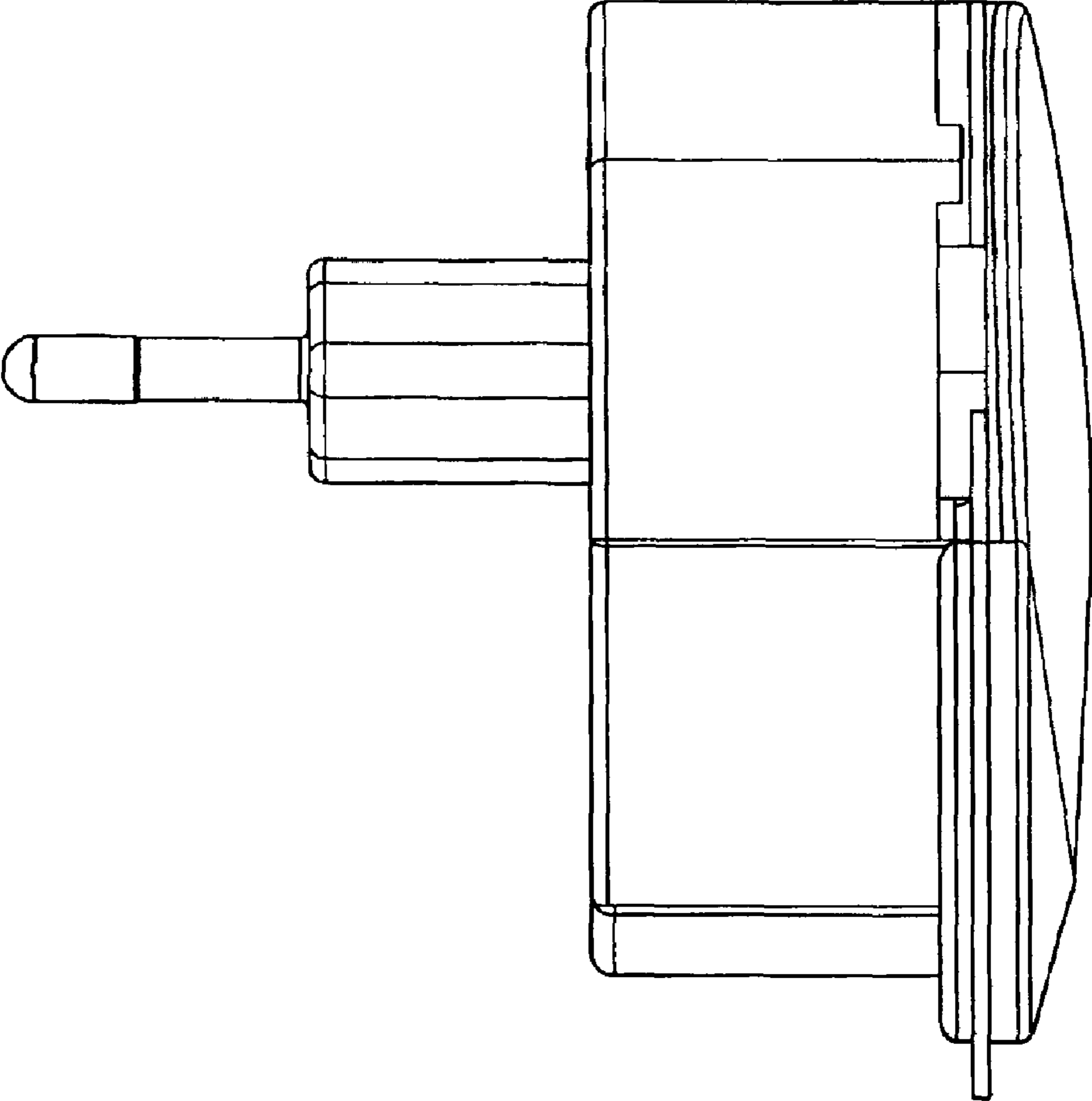


FIG.4

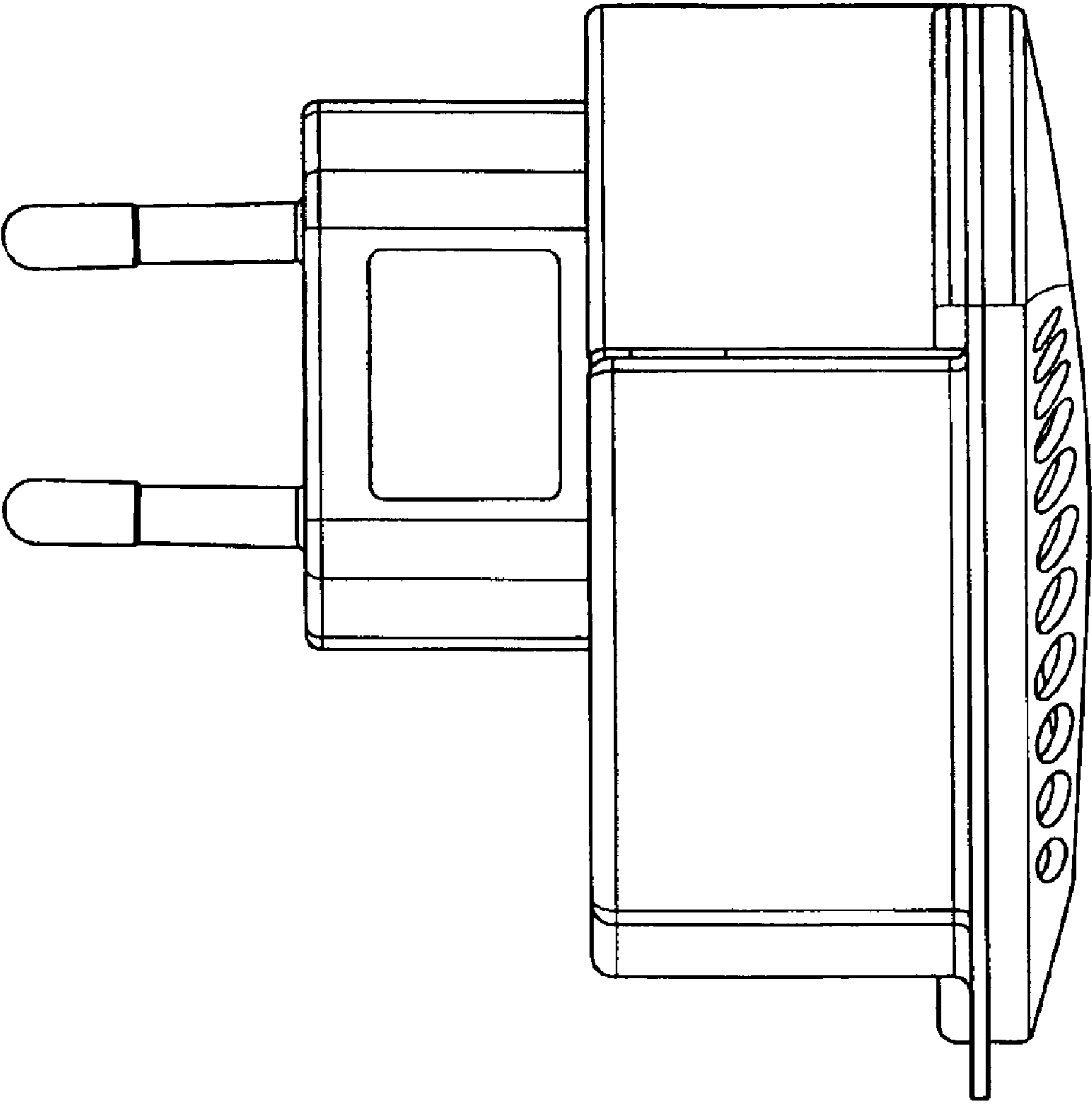


FIG.5

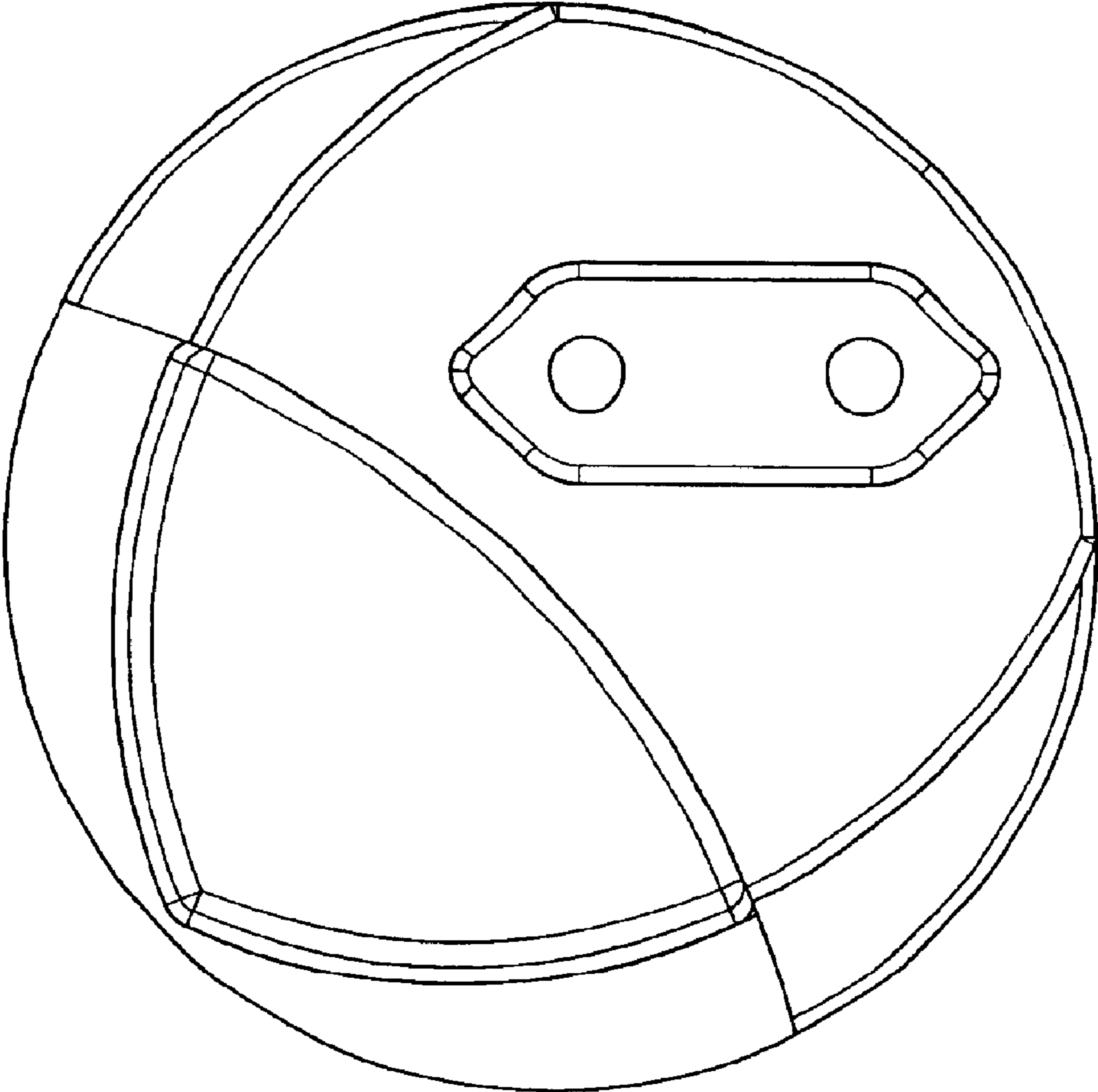


FIG.6

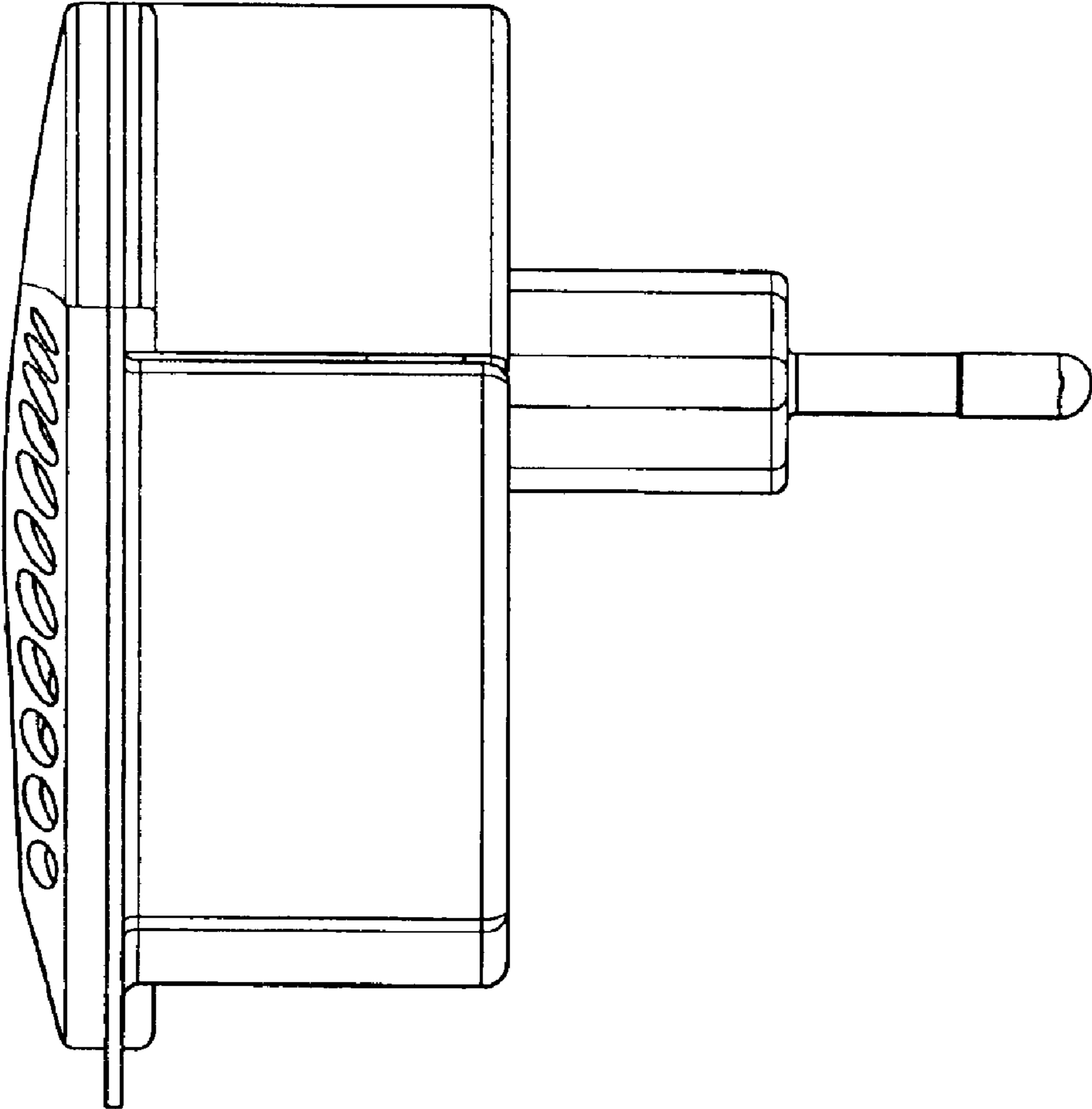


FIG.7



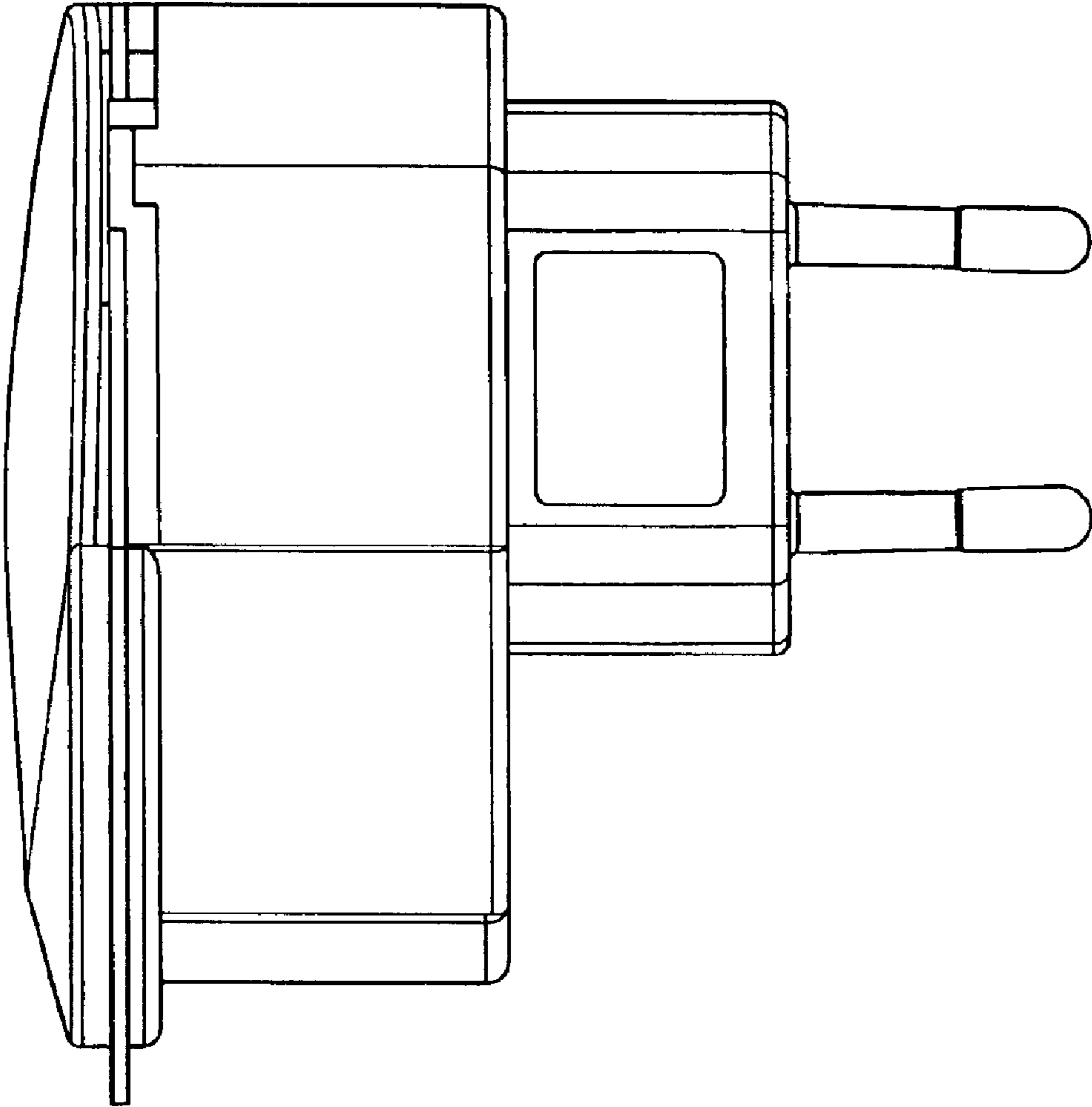


FIG.8