

US00D503970S

(12) **United States Design Patent**  
**Johnson**

(10) **Patent No.: US D503,970 S**

(45) **Date of Patent: \*\* Apr. 12, 2005**

(54) **TOILET WRAP**

(76) **Inventor: Jon Johnson, 3520 Curran Rd., Ione, CA (US) 95640**

(\*\*) **Term: 14 Years**

(21) **Appl. No.: 29/198,590**

(22) **Filed: Jan. 29, 2004**

(51) **LOC (7) Cl. .... 23-01**

(52) **U.S. Cl. .... D23/311; D6/611**

(58) **Field of Search .... D23/295, 299, D23/303, 309-311; 4/449, 234, 243.1-245.9, 314, 300.3, 253; D6/611, 901, 300**

(56) **References Cited**

**U.S. PATENT DOCUMENTS**

1,793,815 A	2/1931	McCann	
2,658,201 A *	11/1953	Sherwood	4/901
D217,248 S *	4/1970	Basner	D23/313
3,566,414 A *	3/1971	Basner	4/300
4,145,771 A	3/1979	Khazin	
D279,849 S *	7/1985	Kusiak	D23/309
D318,722 S	7/1991	Kohler, Jr.	
5,581,824 A	12/1996	Crook, Sr.	

5,655,233 A 8/1997 Lackey, Jr.

6,108,827 A 8/2000 Espadas

D439,315 S \* 3/2001 Valentin ..... D23/311

2003/0024038 A1 \* 2/2003 Cross et al. .... 4/253

\* cited by examiner

*Primary Examiner*—Robert A Delehanty

(74) *Attorney, Agent, or Firm*—Lawrence J. Gibney, Jr.

(57) **CLAIM**

The ornamental design for a toilet wrap, as shown and described.

**DESCRIPTION**

FIG. 1 is a top view of the device.

FIG. 2 is a view of the device from the bottom.

FIG. 3 is a right side view of the device.

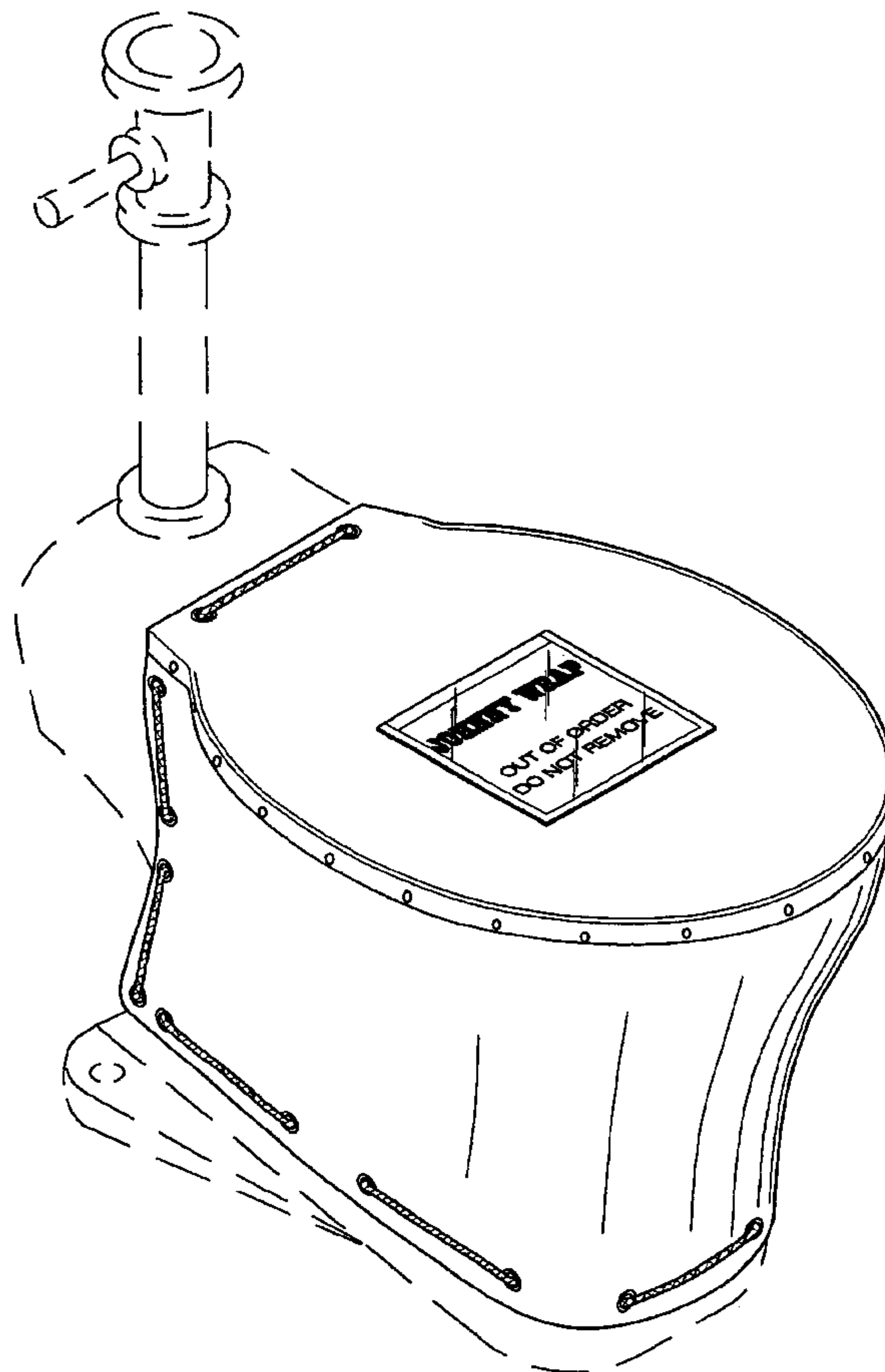
FIG. 4 is a rear view of the device.

FIG. 5 is a front view of the device; and,

FIG. 6 is a perspective view of the device installed on a toilet.

The broken line showing of a toilet in FIG. 6 is for illustrative purposes only and forms no part of the claimed design.

**1 Claim, 4 Drawing Sheets**



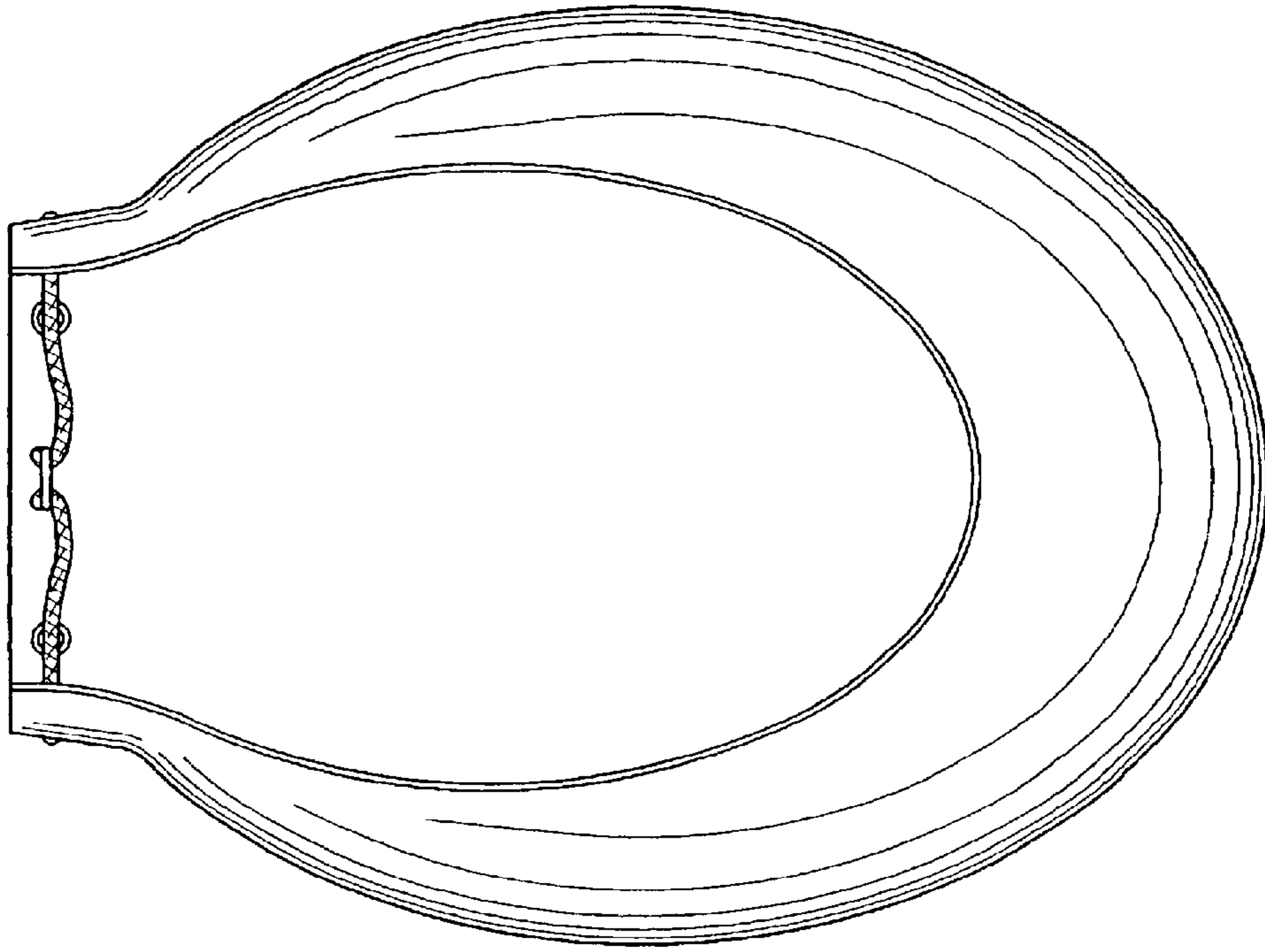


FIG. 2

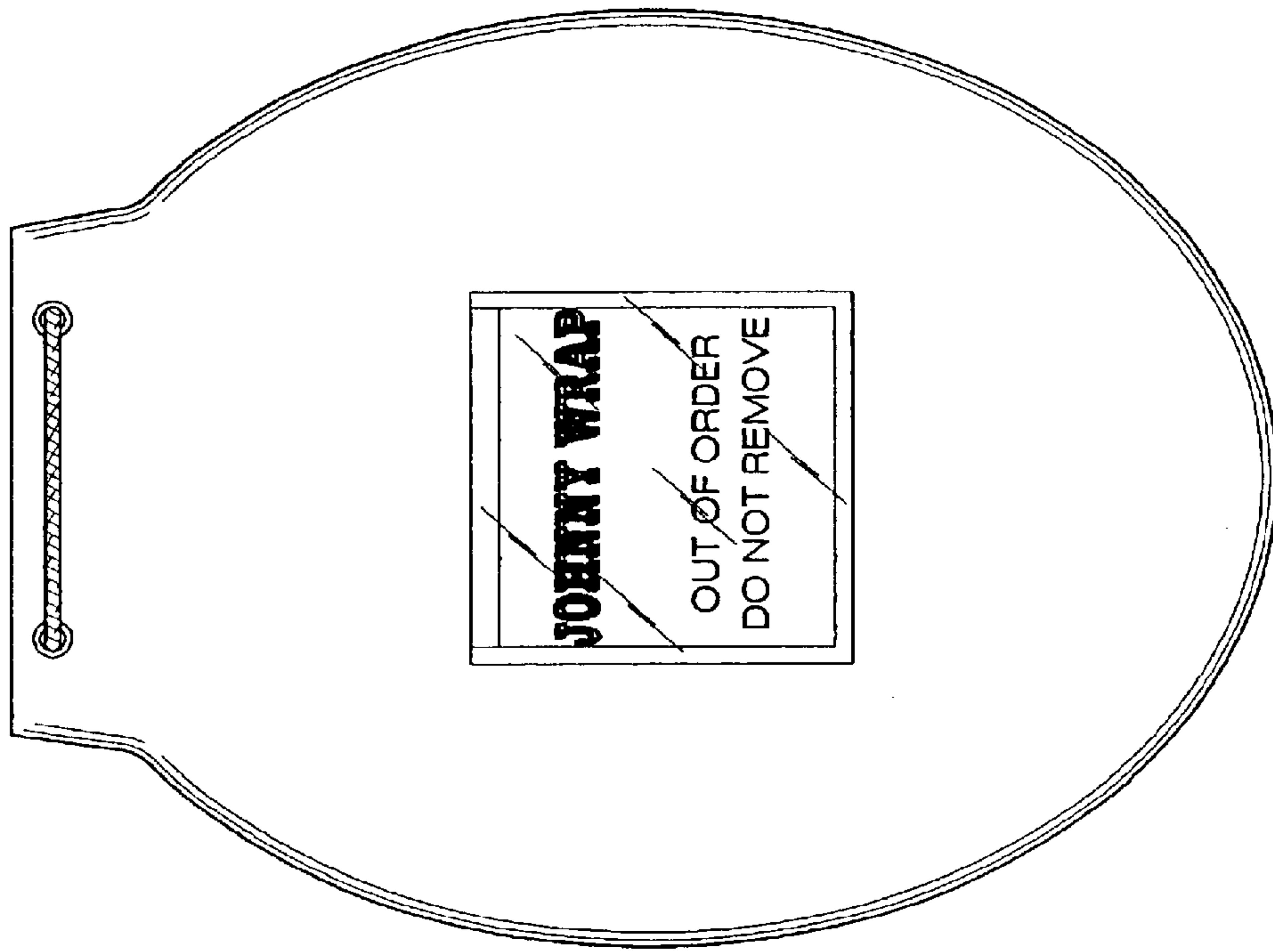


FIG. 1

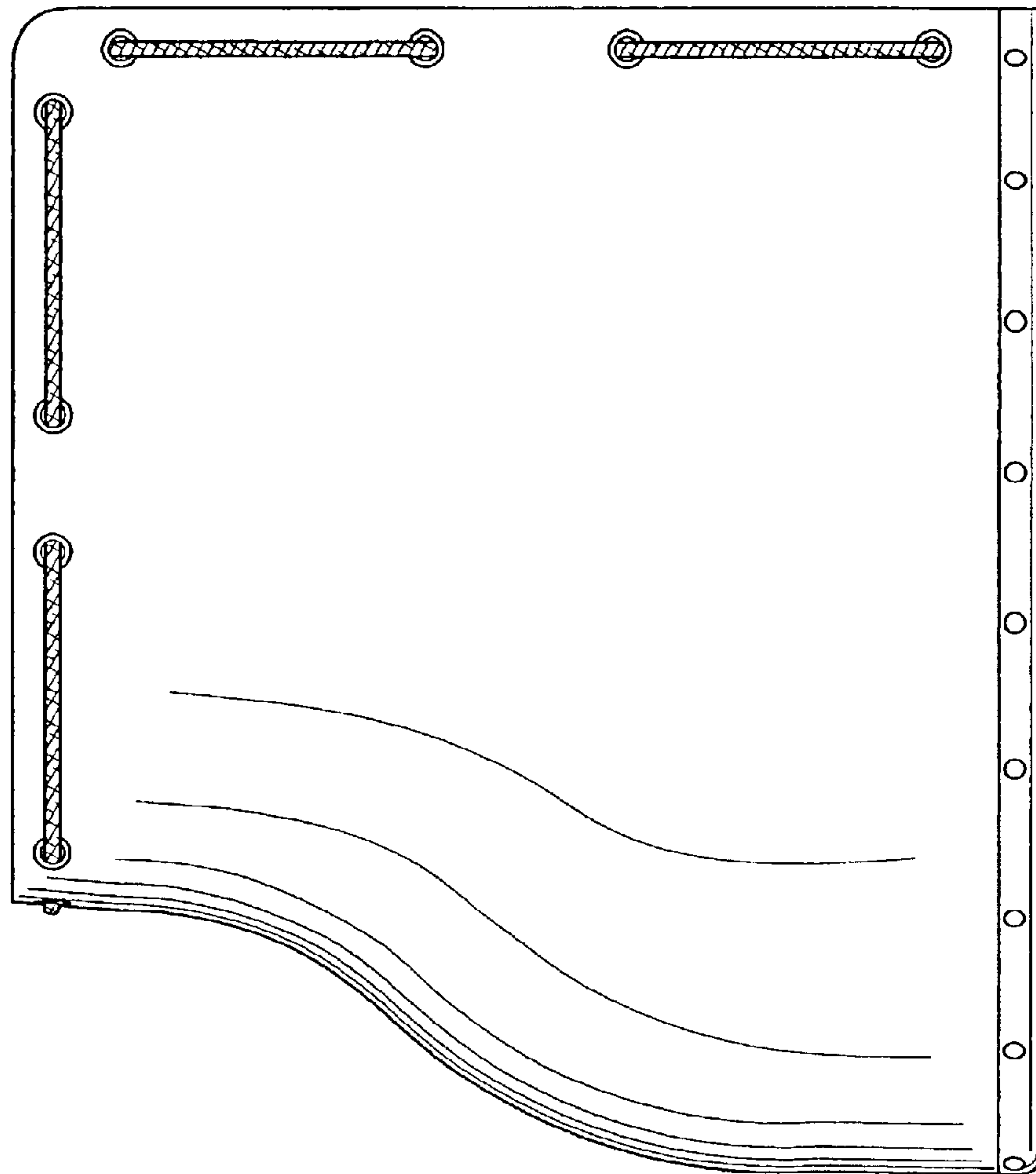


FIG. 3

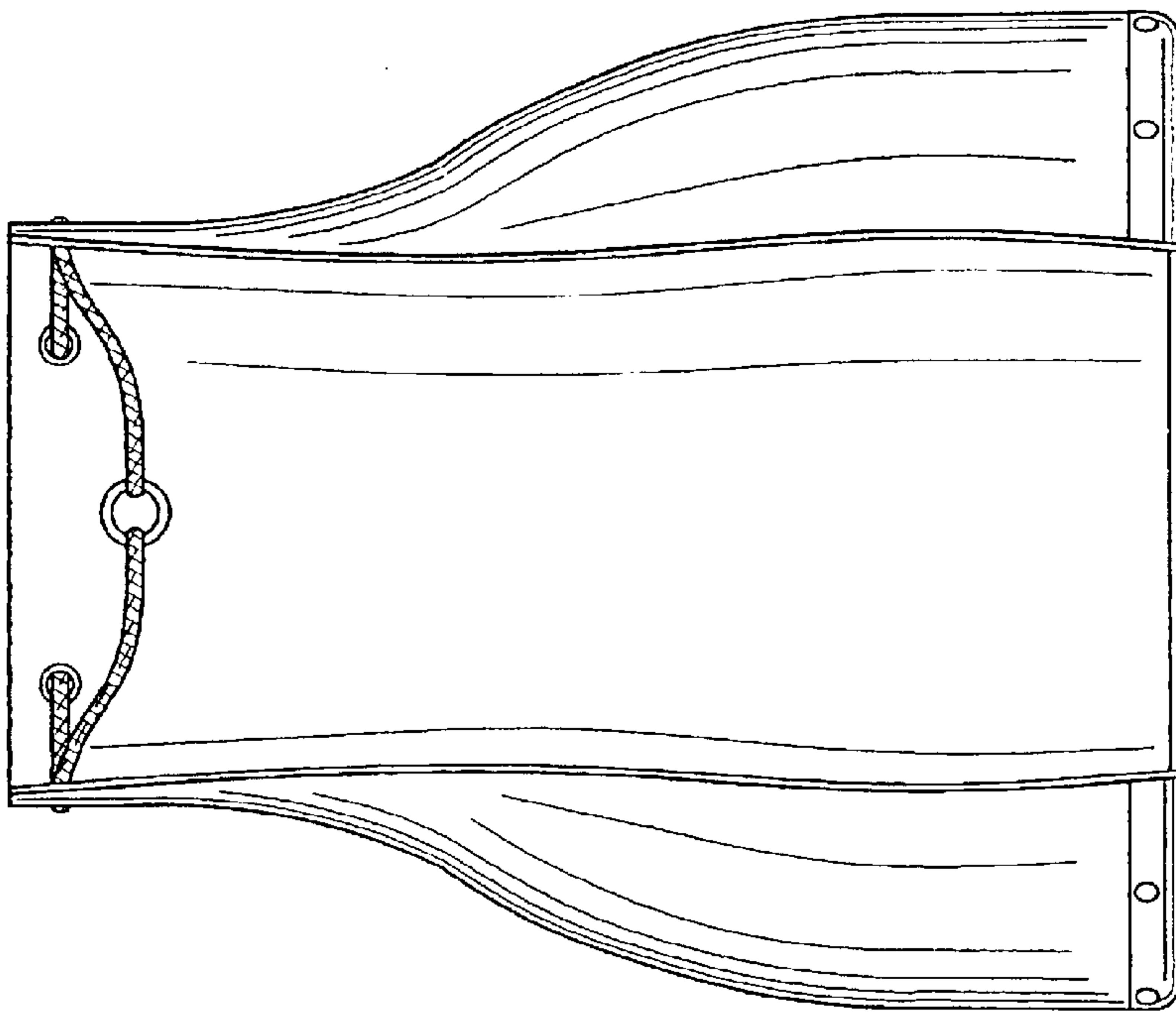


FIG. 4

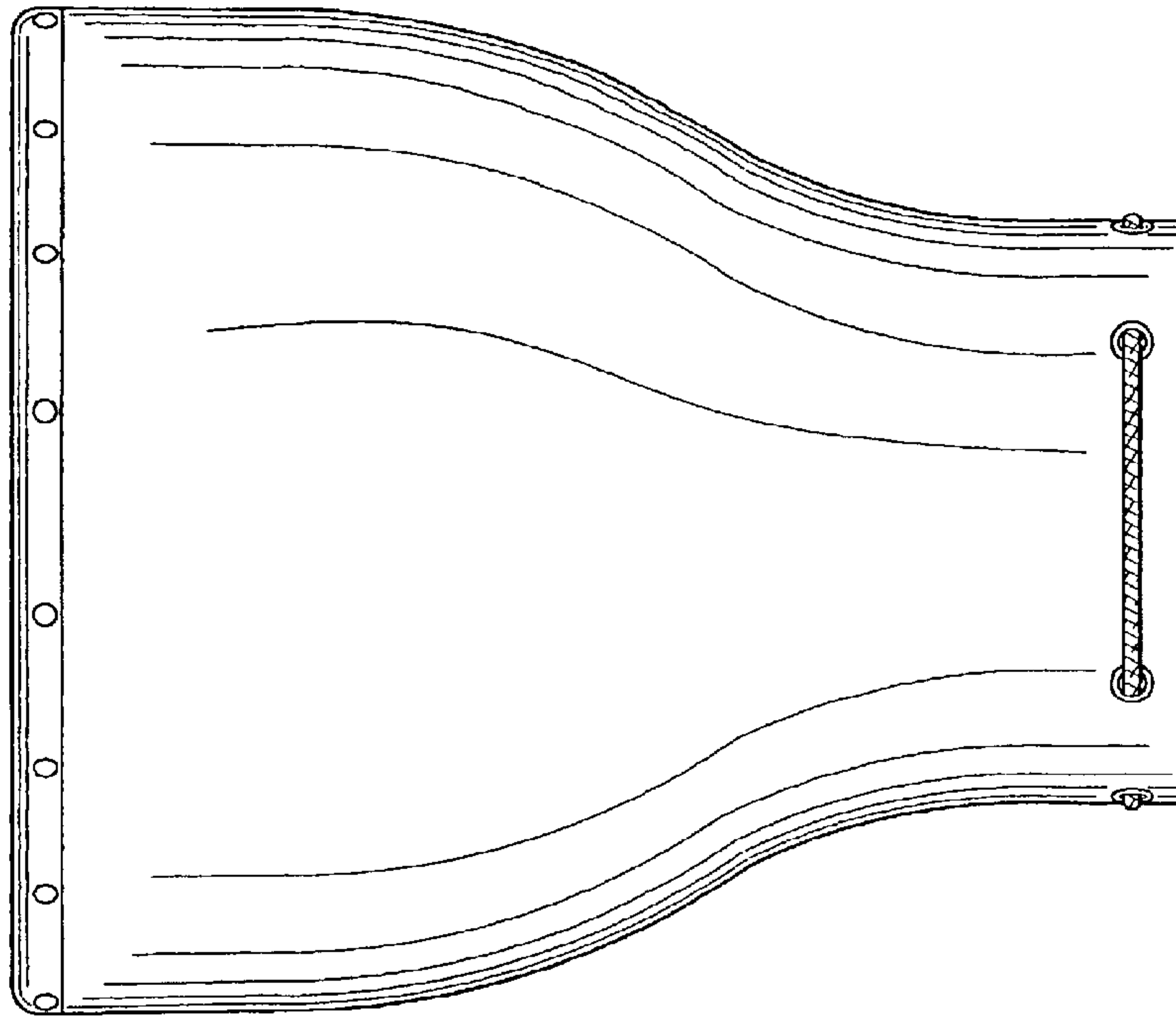


FIG. 5

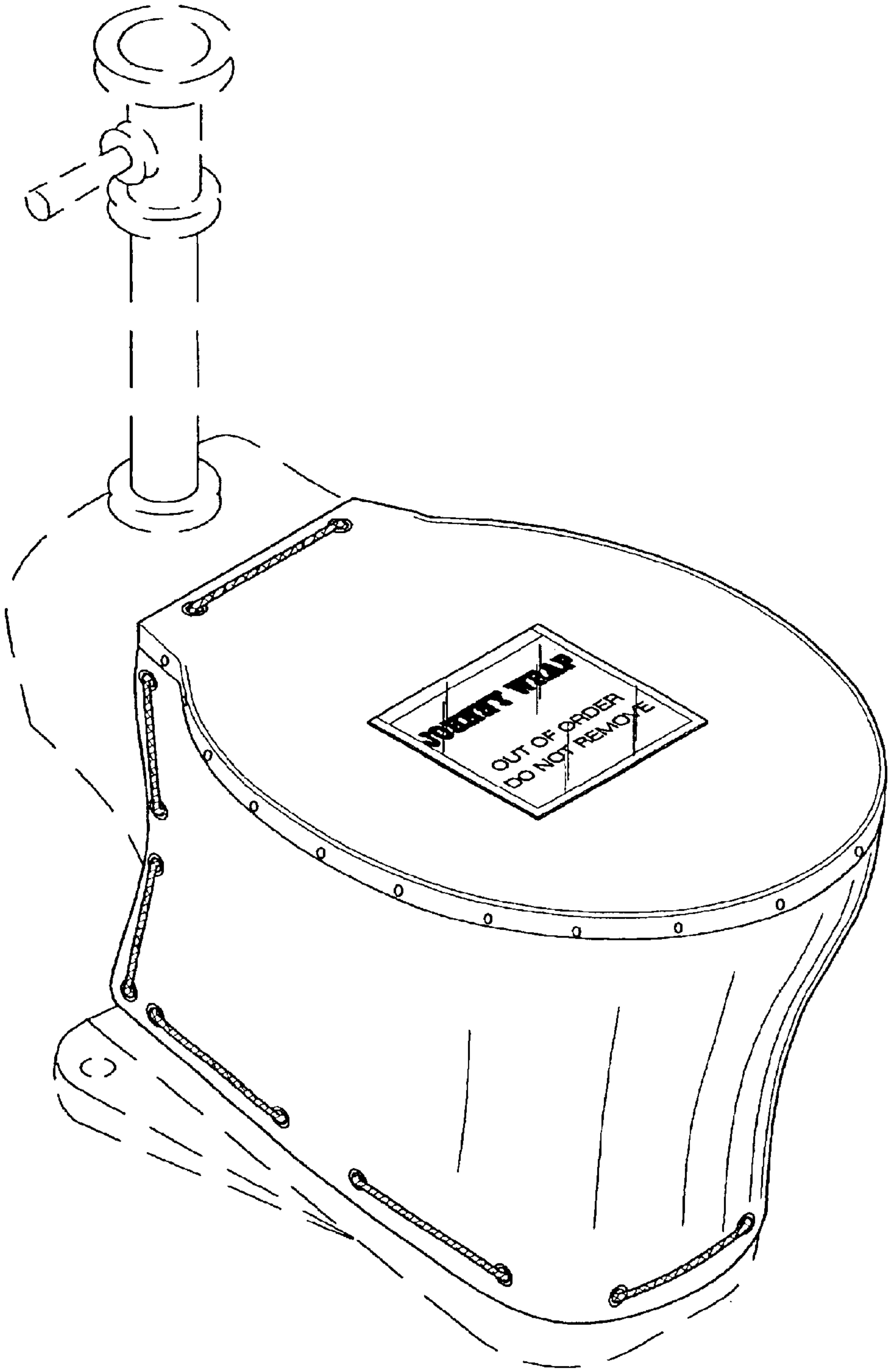


FIG. 6