

US00D503967S

(12) **United States Design Patent**  
**Otero**

(10) **Patent No.:** **US D503,967 S**

(45) **Date of Patent:** **\*\* Apr. 12, 2005**

(54) **HANDLE**

(75) **Inventor:** **Federico G. Otero**, Carmel, IN (US)

(73) **Assignee:** **Masco Corporation of Indiana**,  
Indianapolis, IN (US)

(\*\*) **Term:** **14 Years**

(21) **Appl. No.:** **29/195,575**

(22) **Filed:** **Dec. 12, 2003**

(51) **LOC (7) Cl.** ..... **23-01**

(52) **U.S. Cl.** ..... **D23/252**

(58) **Field of Search** ..... D23/238-243,  
D23/245, 250-257; D8/300-322, DIG. 3;  
16/110.1; 4/675-678; 137/801

(56) **References Cited**

**U.S. PATENT DOCUMENTS**

D352,767 S \* 11/1994 McKeone ..... D23/252  
D493,213 S \* 7/2004 Svendsen et al. .... D23/252

D496,434 S \* 9/2004 Spangler ..... D23/252

\* cited by examiner

*Primary Examiner*—Louis S. Zarfes

*Assistant Examiner*—Gregory Andoll

(74) *Attorney, Agent, or Firm*—Kwadjo Adusei-Poku;  
Lloyd D. Doigan

(57) **CLAIM**

The ornamental design for a handle, as shown and described.

**DESCRIPTION**

FIG. 1 is a rear perspective view of a handle showing my design;

FIG. 2 is a front perspective view thereof;

FIG. 3 is a right side elevational view thereof;

FIG. 4 is a front elevational view thereof;

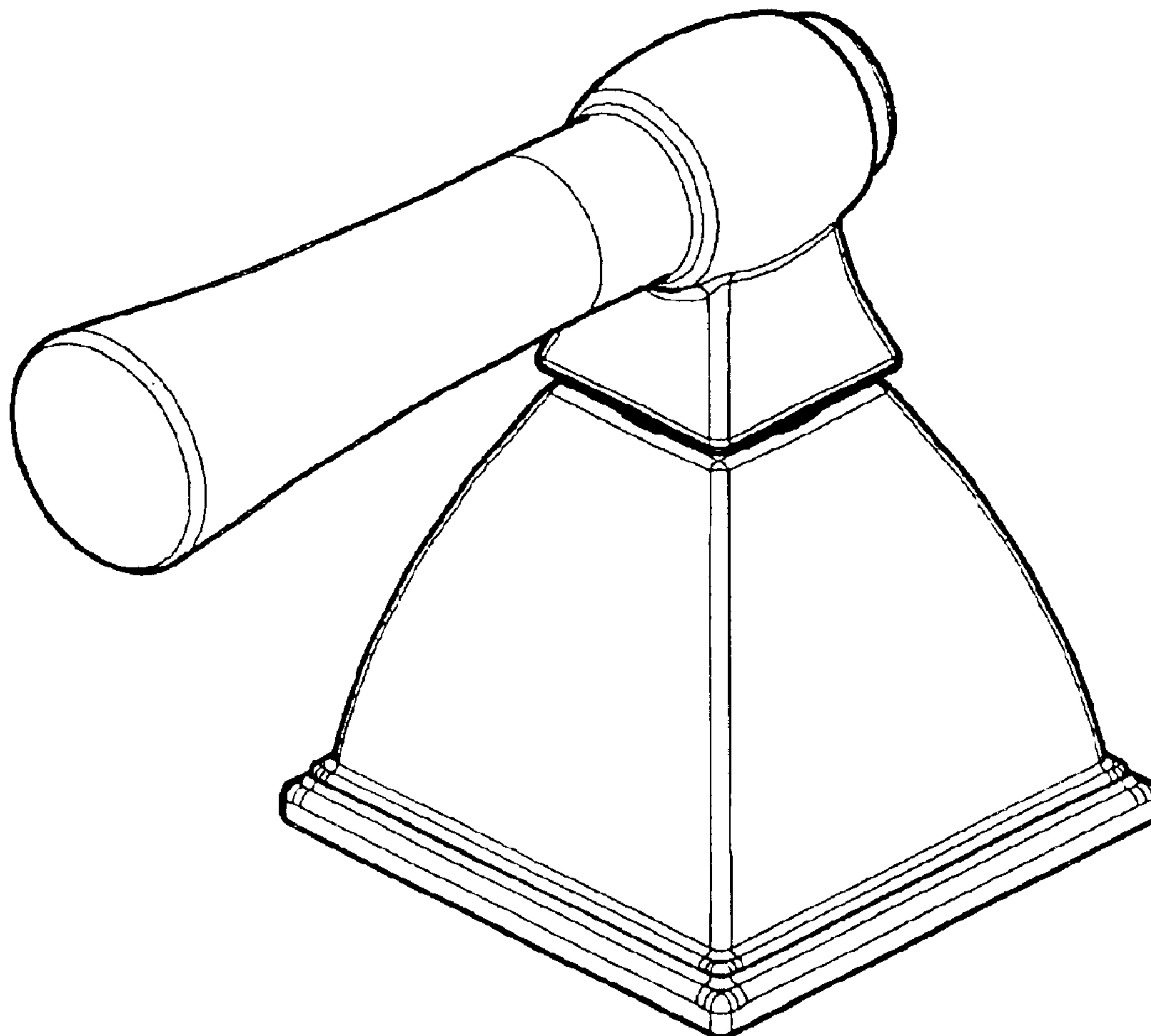
FIG. 5 is a top plan view thereof;

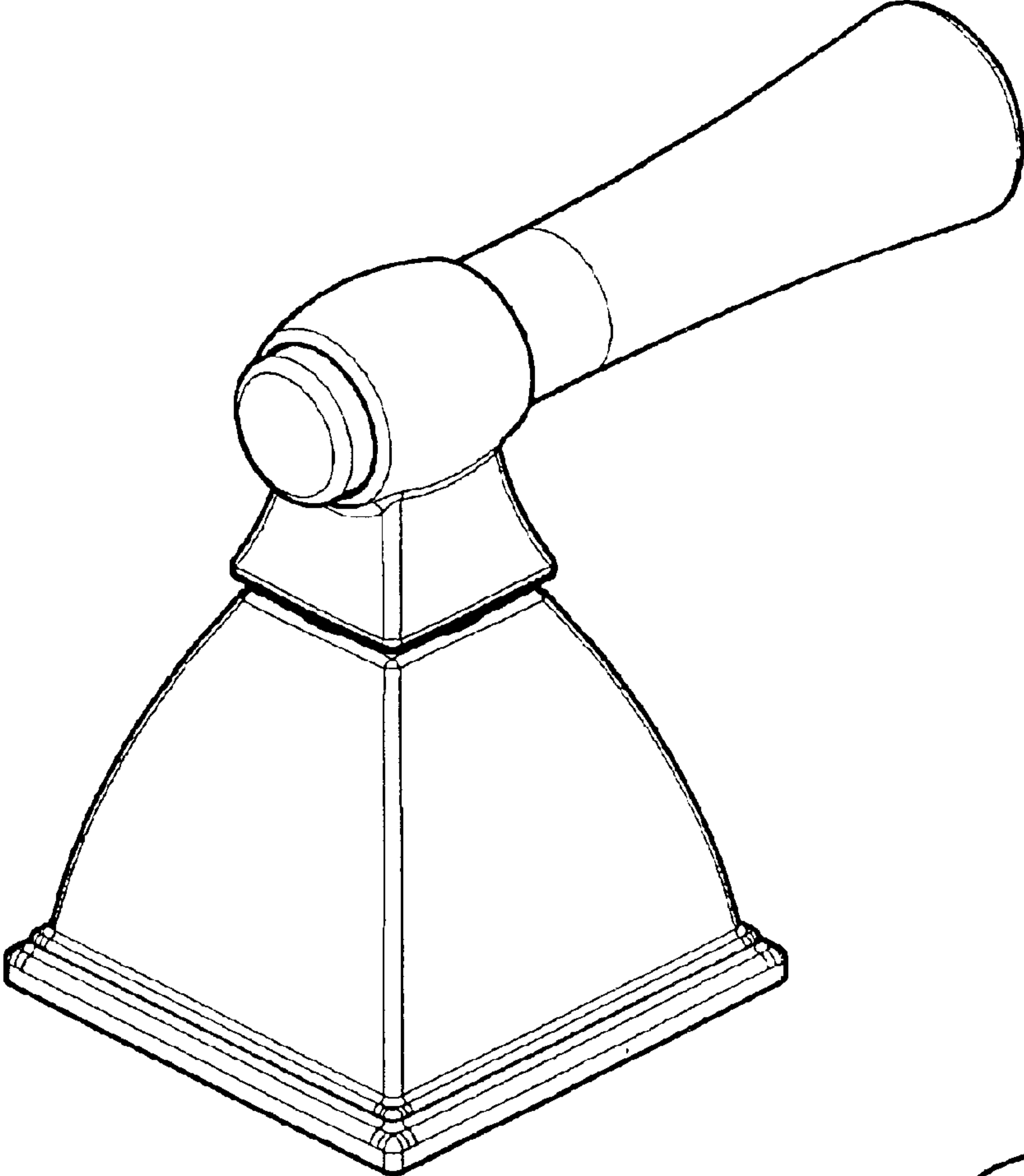
FIG. 6 is a rear elevational view thereof;

FIG. 7 is a left side elevational view thereof; and,

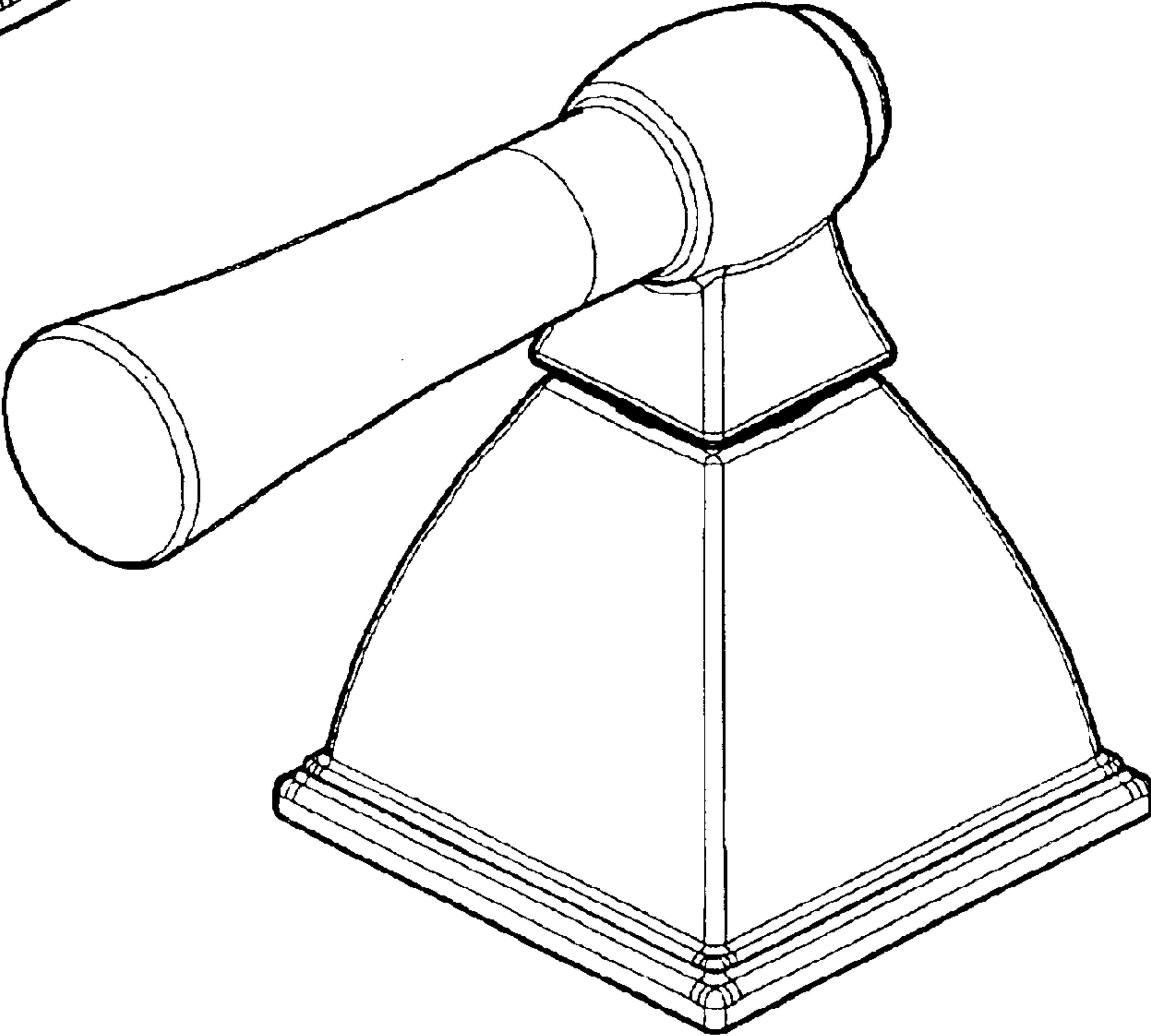
FIG. 8 is a bottom plan view thereof.

**1 Claim, 4 Drawing Sheets**

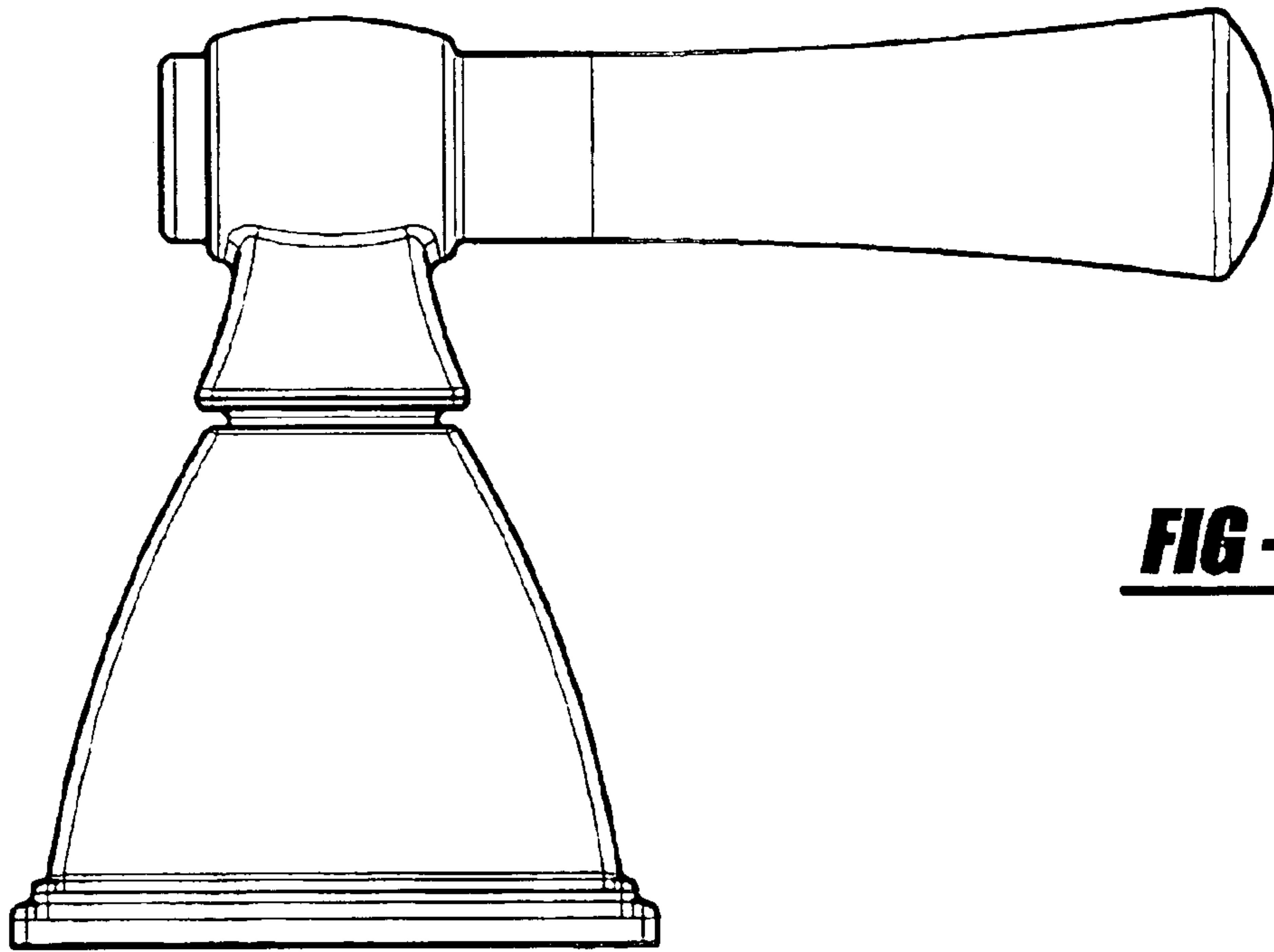




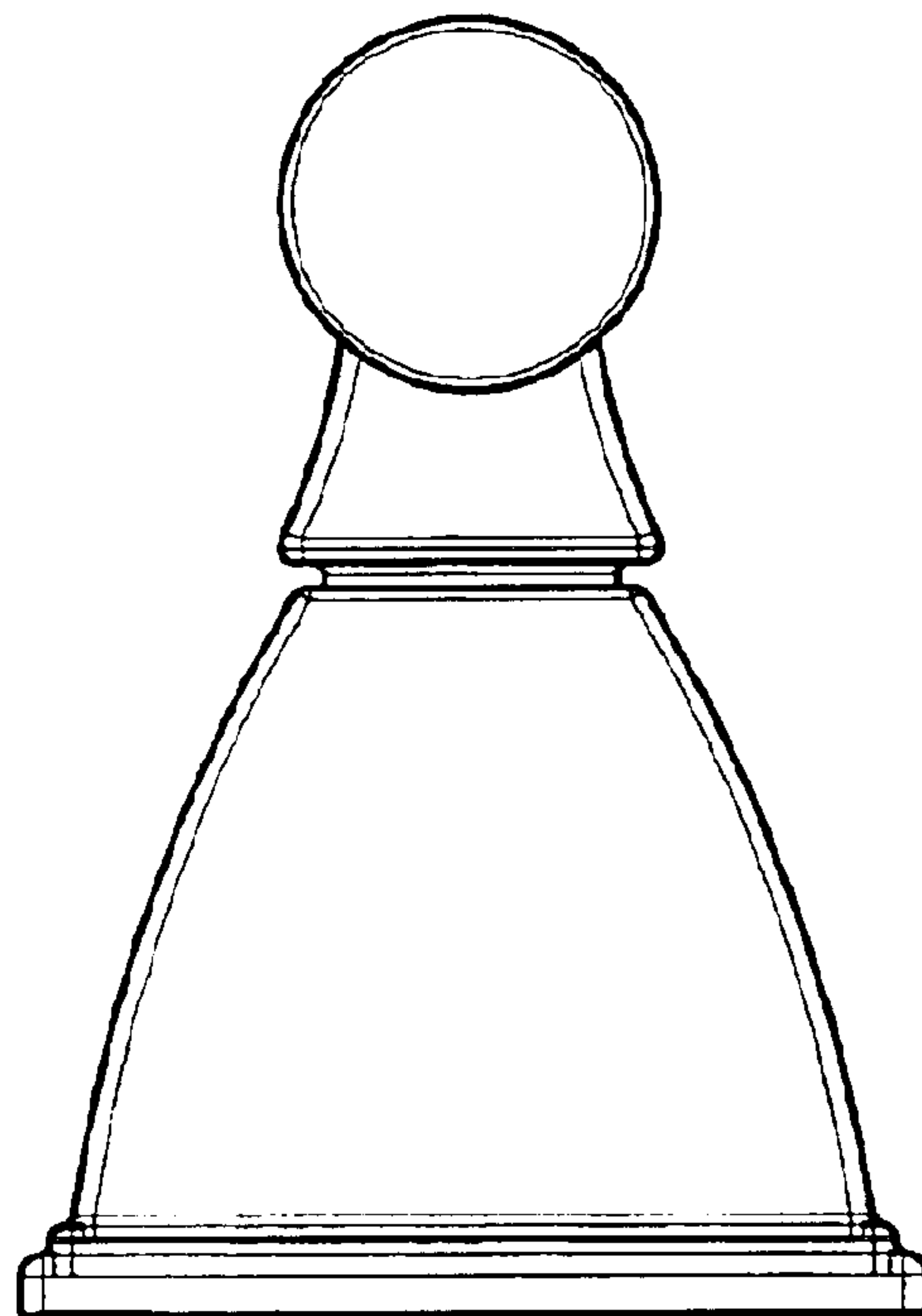
**FIG - 1**



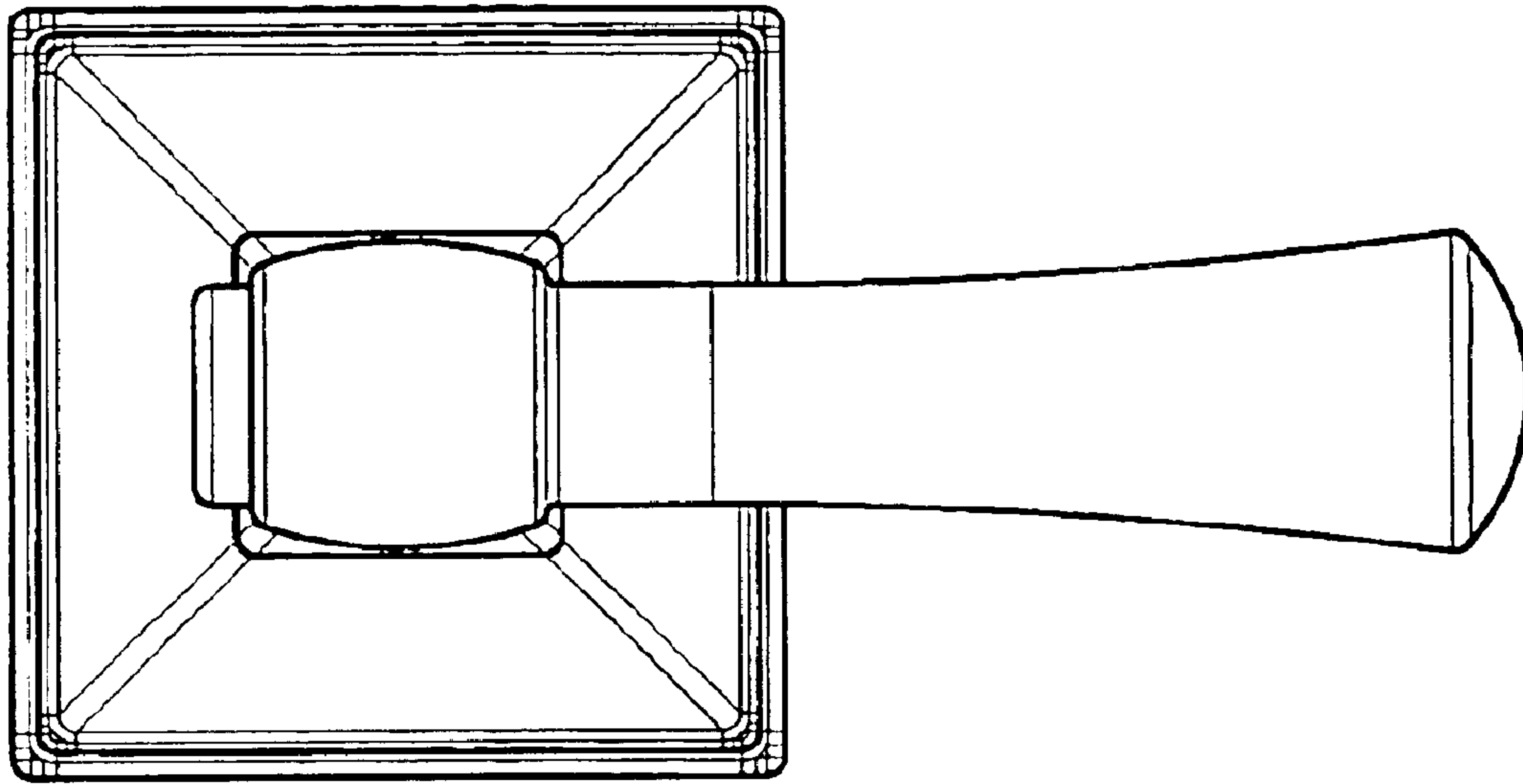
**FIG - 2**



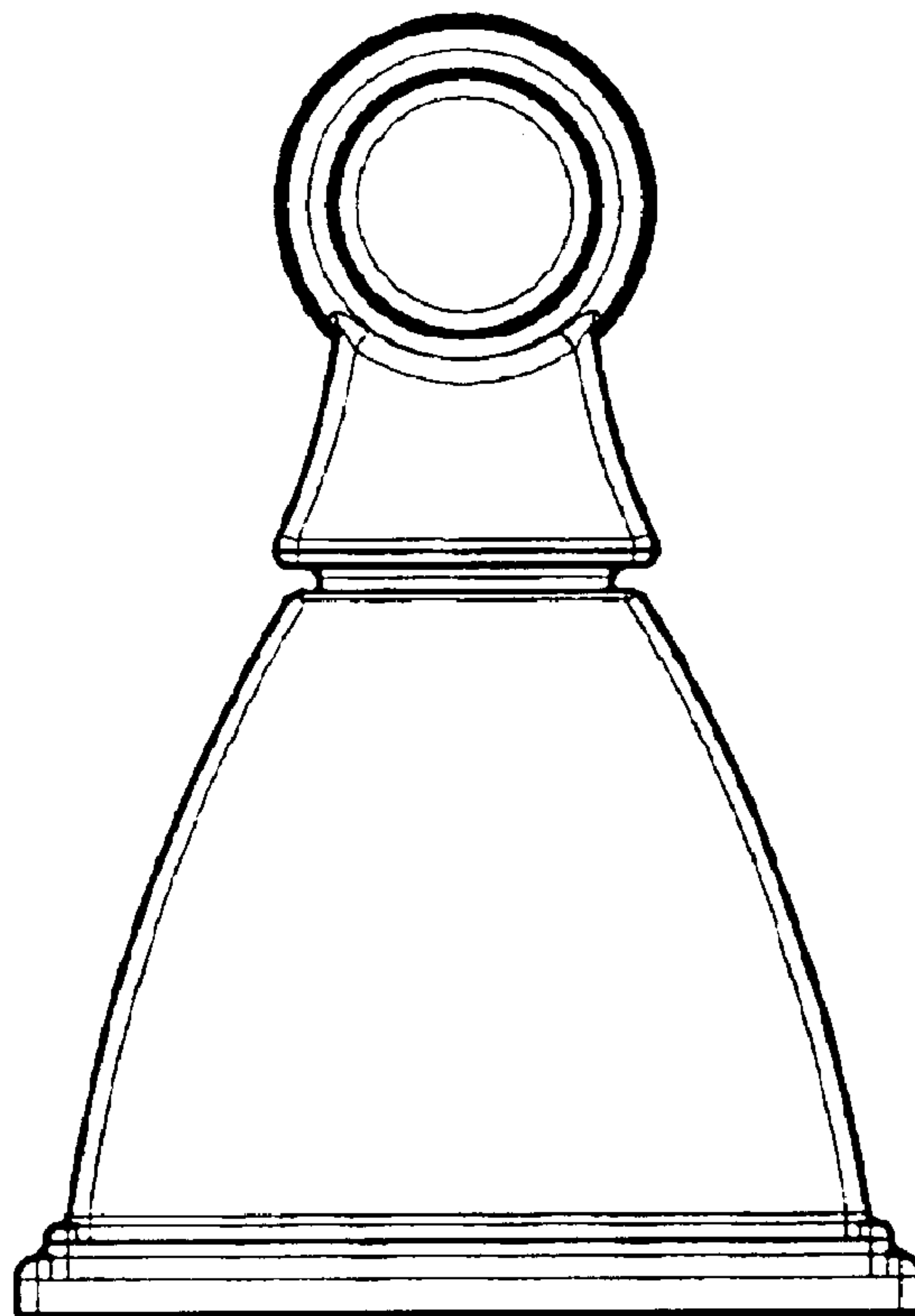
**FIG - 3**



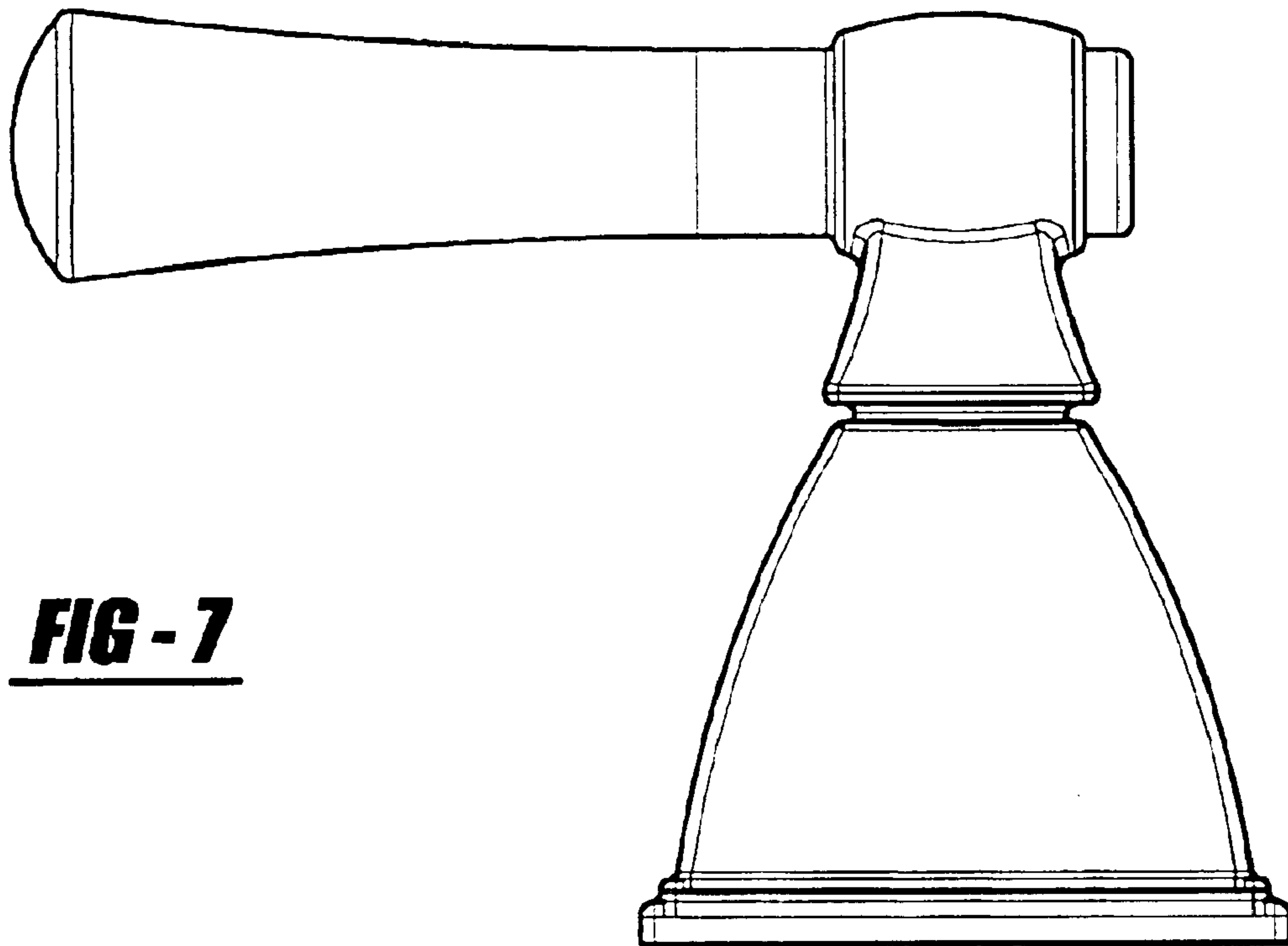
**FIG - 4**



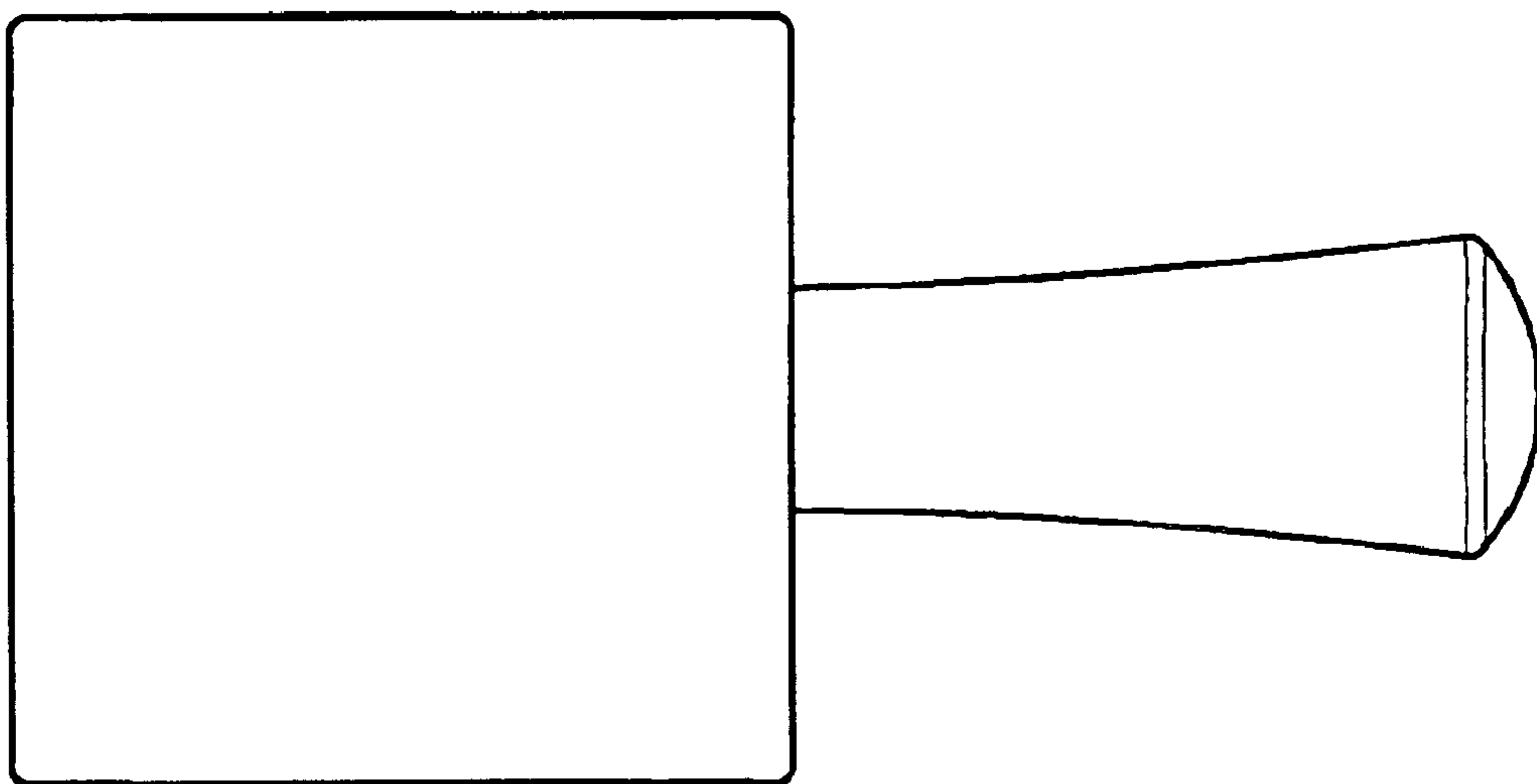
**FIG - 5**



**FIG - 6**



**FIG - 7**



**FIG - 8**