

US00D503965S

(12) **United States Design Patent**
Colligan et al.

(10) **Patent No.:** **US D503,965 S**

(45) **Date of Patent:** **** Apr. 12, 2005**

(54) **SHOWERHEAD CONTROL LEVER**

D348,718 S * 7/1994 Garrison D23/213
D366,307 S * 1/1996 Doughty et al. D23/213

(75) Inventors: **Fran Colligan**, New Haven, CT (US);
Michael Wales, Riverside, CT (US)

* cited by examiner

(73) Assignee: **Alsons Corporation**, Hillsdale, MI
(US)

Primary Examiner—Robin V. Taylor
(74) *Attorney, Agent, or Firm*—Edgar A. Zarins; Lloyd D.
Doigan

(**) Term: **14 Years**

(57) **CLAIM**

(21) Appl. No.: **29/194,797**

The ornamental design for a showerhead control lever, as shown and described.

(22) Filed: **Dec. 2, 2003**

DESCRIPTION

(51) **LOC (7) Cl.** **23-01**

(52) **U.S. Cl.** **D23/226; D23/229**

(58) **Field of Search** D23/213, 229,
D23/230; 239/282, 283, 587.1; 4/615

FIG. 1 is a perspective view of a showerhead control lever showing our new design;

FIG. 2 is a first side view thereof;

FIG. 3 is a second side view thereof;

FIG. 4 is a first end view thereof; and,

FIG. 5 is a top plan view thereof.

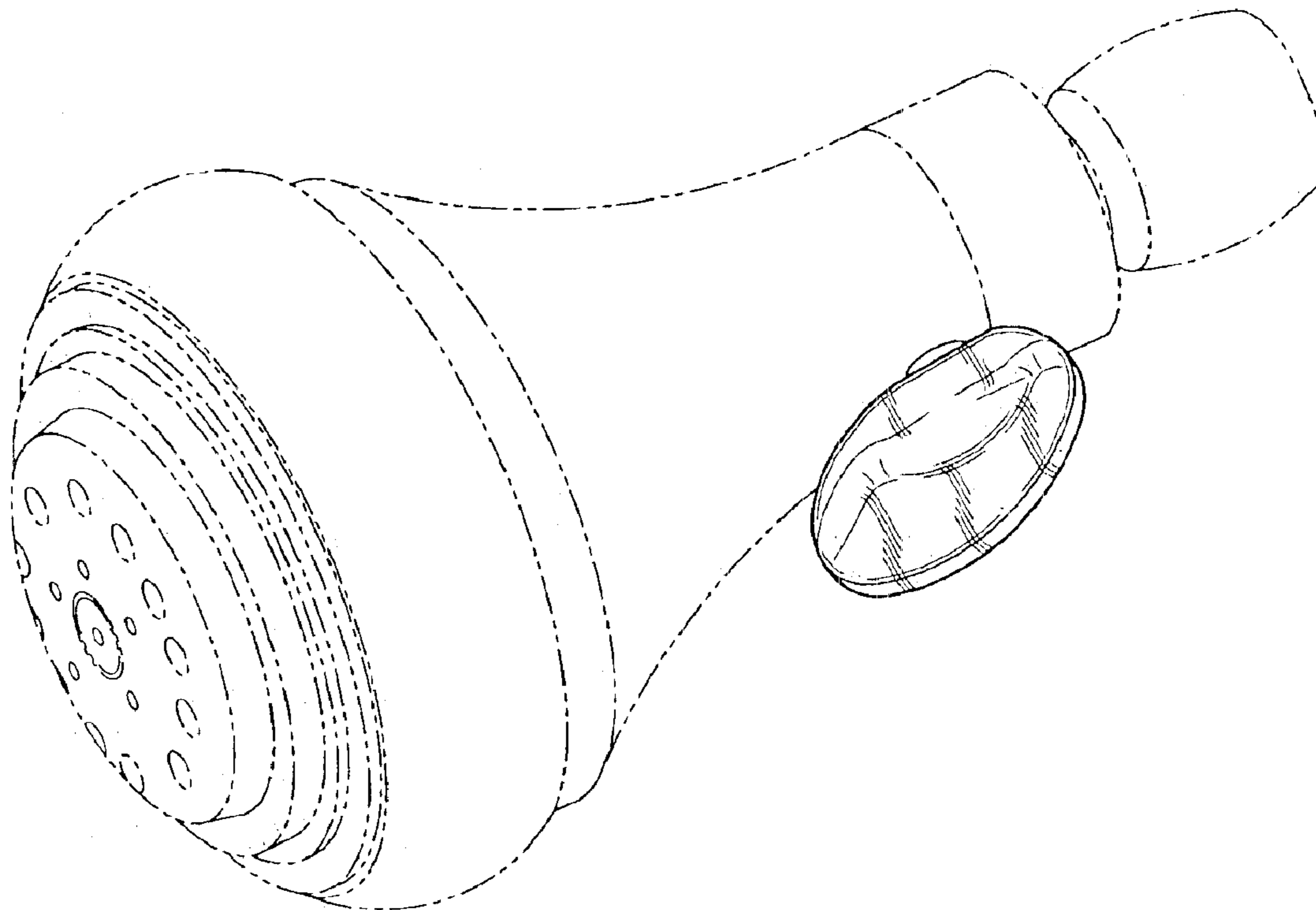
The broken line showing is for illustrative purposes only and forms no part of the claimed design.

(56) **References Cited**

U.S. PATENT DOCUMENTS

D217,606 S * 5/1970 Young D23/229
D282,198 S * 1/1986 Shames et al. D23/229
D295,889 S * 5/1988 Haug et al. D23/229

1 Claim, 3 Drawing Sheets



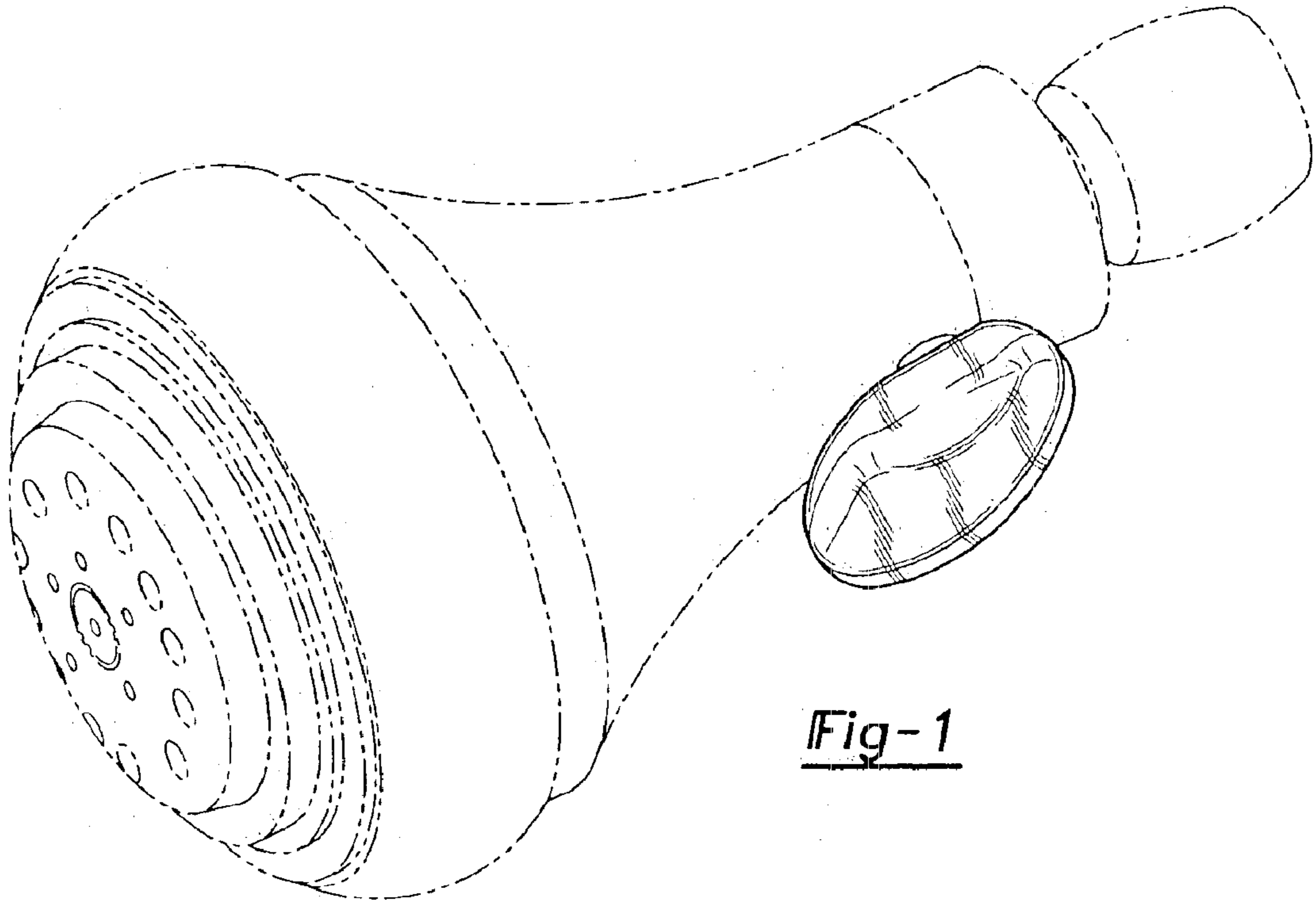


Fig-1

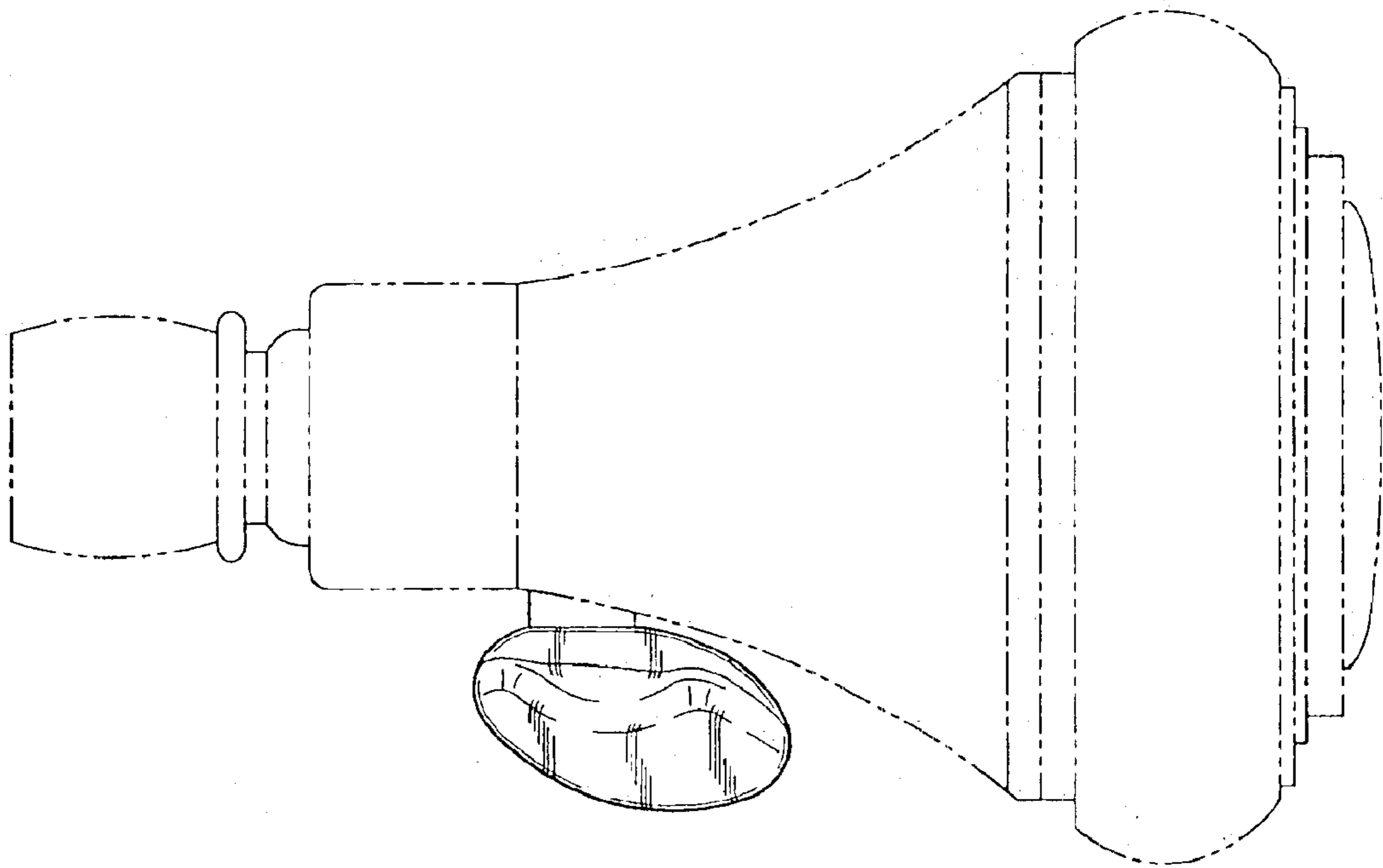


Fig-2

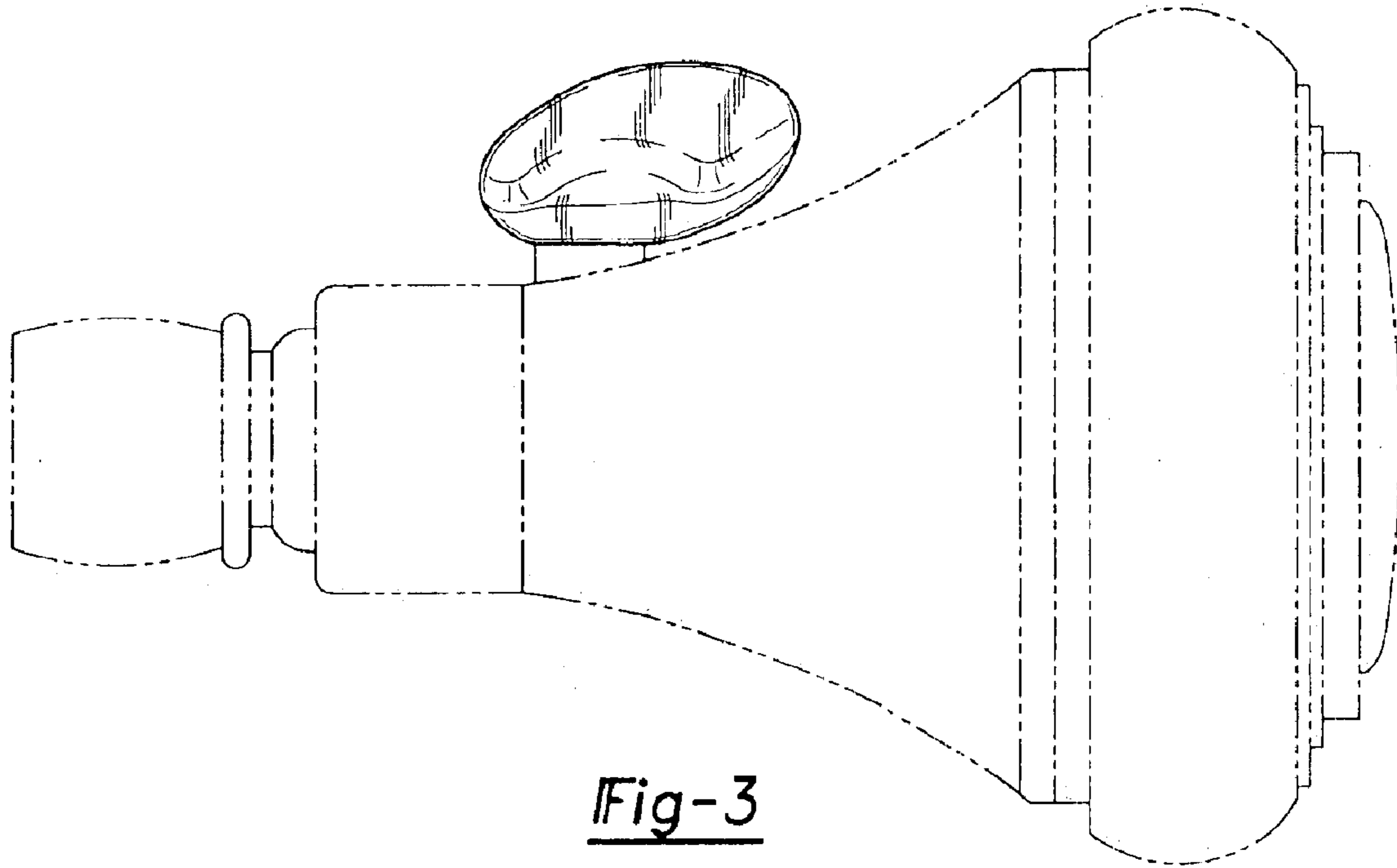


Fig-3

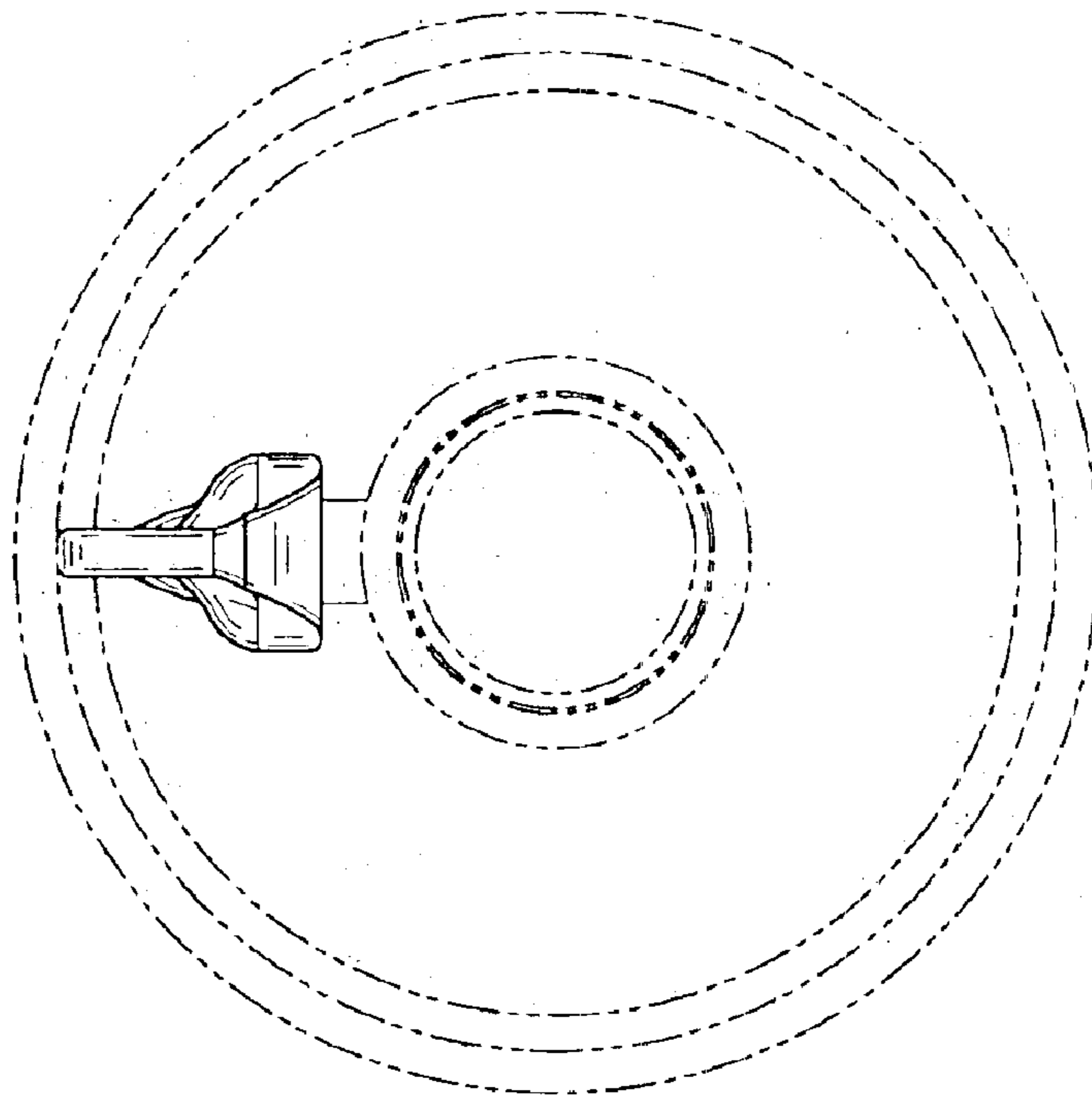


Fig-4

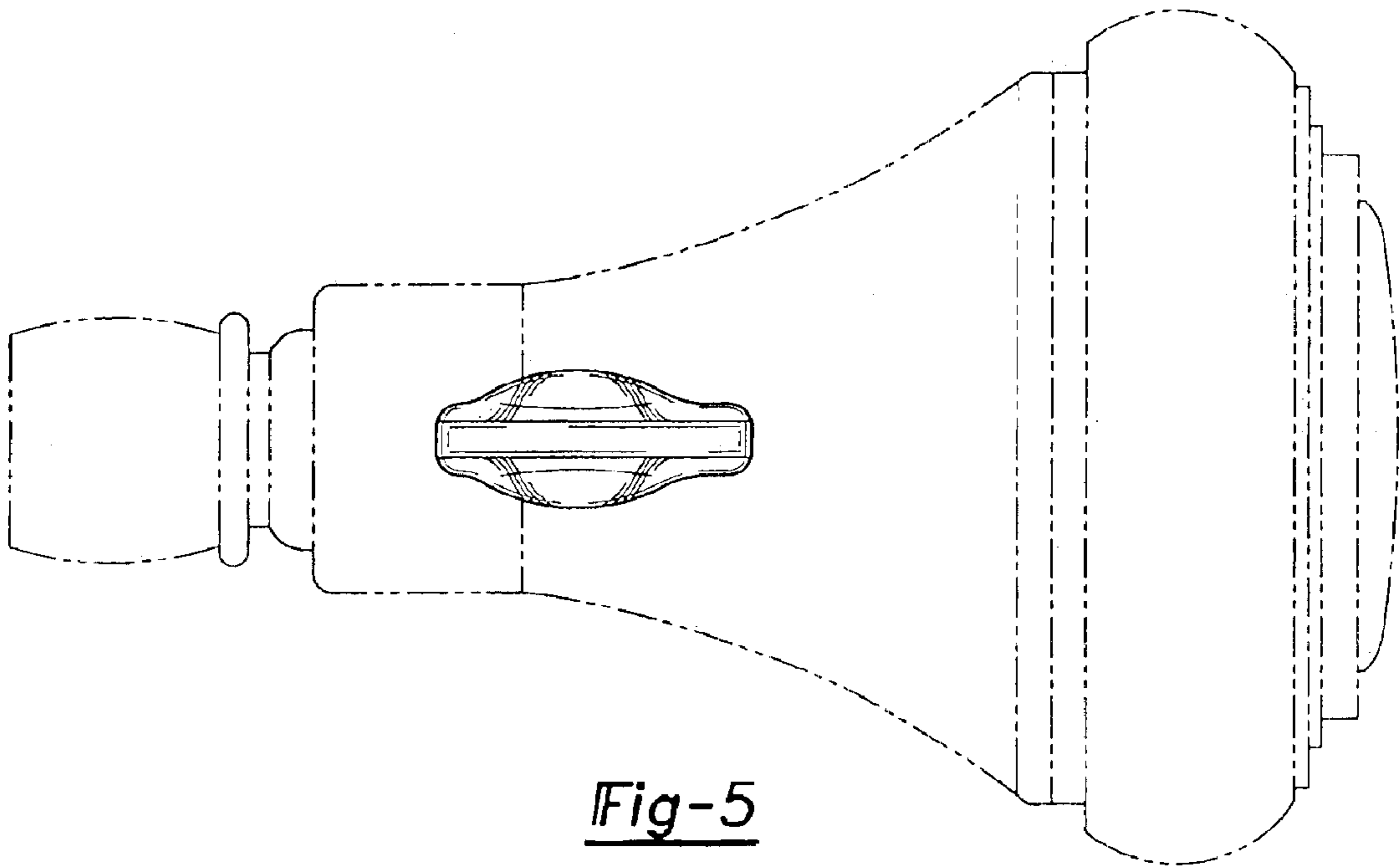


Fig-5