

US00D503964S

(12) **United States Design Patent**  
**Kitazaki**

(10) **Patent No.:** **US D503,964 S**  
(45) **Date of Patent:** **\*\* Apr. 12, 2005**

(54) **COVER MEMBER OF THE FISHING REEL**

(57) **CLAIM**

(75) **Inventor:** **Tomokazu Kitazaki**, Fukainaka-machi (JP)

The ornamental design for a cover member of the fishing reel, as shown and described.

(73) **Assignee:** **Shimano Inc.**, Osaka (JP)

**DESCRIPTION**

(\*\*) **Term:** **14 Years**

FIG. 1 is a front elevational view of a cover member of fishing reel in accordance with my new design;

(21) **Appl. No.:** **29/187,699**

FIG. 2 is a rear elevational view of the fishing reel having the cover member in accordance with my new design;

(22) **Filed:** **Aug. 6, 2003**

FIG. 3 is a top plan view of the cover member of fishing reel in accordance with my new design;

(30) **Foreign Application Priority Data**

FIG. 4 is a bottom plan view of the cover member of fishing reel in accordance with my new design;

Feb. 6, 2003 (JP) ..... 2003-002661

FIG. 5 is a right side elevational view of the fishing reel having the cover member in accordance with my new design;

(51) **LOC (7) Cl.** ..... **22-05**

(52) **U.S. Cl.** ..... **D22/141**

FIG. 6 is a left side elevational view of the cover member of fishing reel in accordance with my new design;

(58) **Field of Search** ..... D22/137-141;  
242/224, 234, 283, 311, 316, 322; 43/19-23

FIG. 7 is a top perspective view of the cover member of fishing reel in accordance with my new design;

(56) **References Cited**

**U.S. PATENT DOCUMENTS**

3,092,352 A	6/1963	Ransom	.....	242/232
3,107,876 A	10/1963	Ament	.....	242/333
D437,026 S	* 1/2001	Tao	.....	D22/141
D460,516 S	* 7/2002	Yoshikawa et al.	.....	D22/141
D467,299 S	* 12/2002	Kondo et al.	.....	D22/141

FIG. 8 is a bottom perspective view of the cover member of fishing reel in accordance with my new design;

FIG. 9 is a cross sectional view of the cover member of fishing reel in accordance with my new design, as viewed along the line 9-9 in FIG. 1; and,

\* cited by examiner

*Primary Examiner*—Catherine R. Oliver  
(74) *Attorney, Agent, or Firm*—Shinju Global IP Counselors, LLP

FIG. 10 is a cross sectional view of the cover member of fishing reel in accordance with my new design, as viewed along the line 10-10 in FIG. 1.

The broken line showing of environment (the remaining structure of the fishing reel) in the Figures is for illustrative purposes only and forms no part of the claimed design. More specifically, the inner surface of the cover member of the fishing reel does not form the part of the claimed design.

**1 Claim, 10 Drawing Sheets**

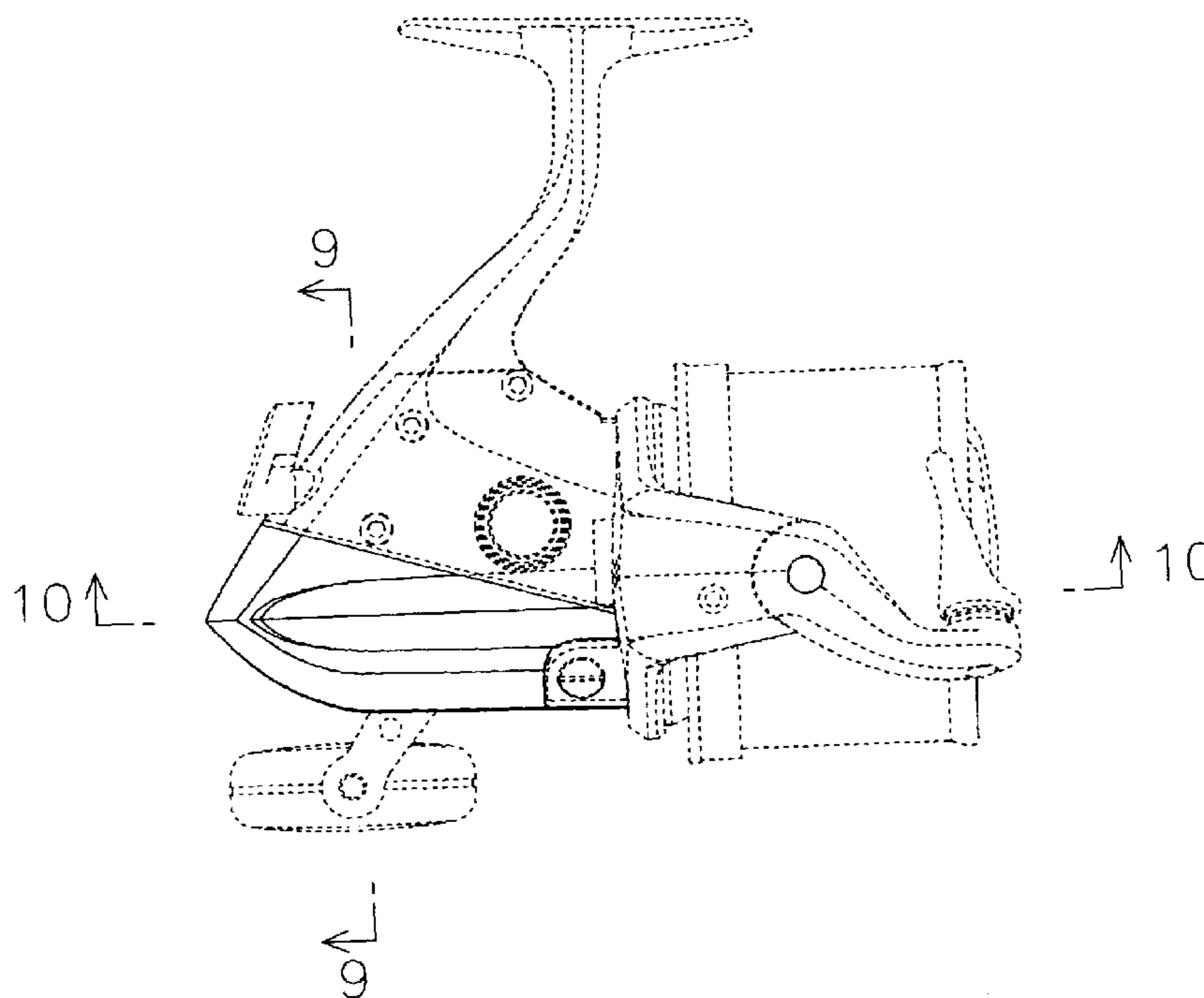
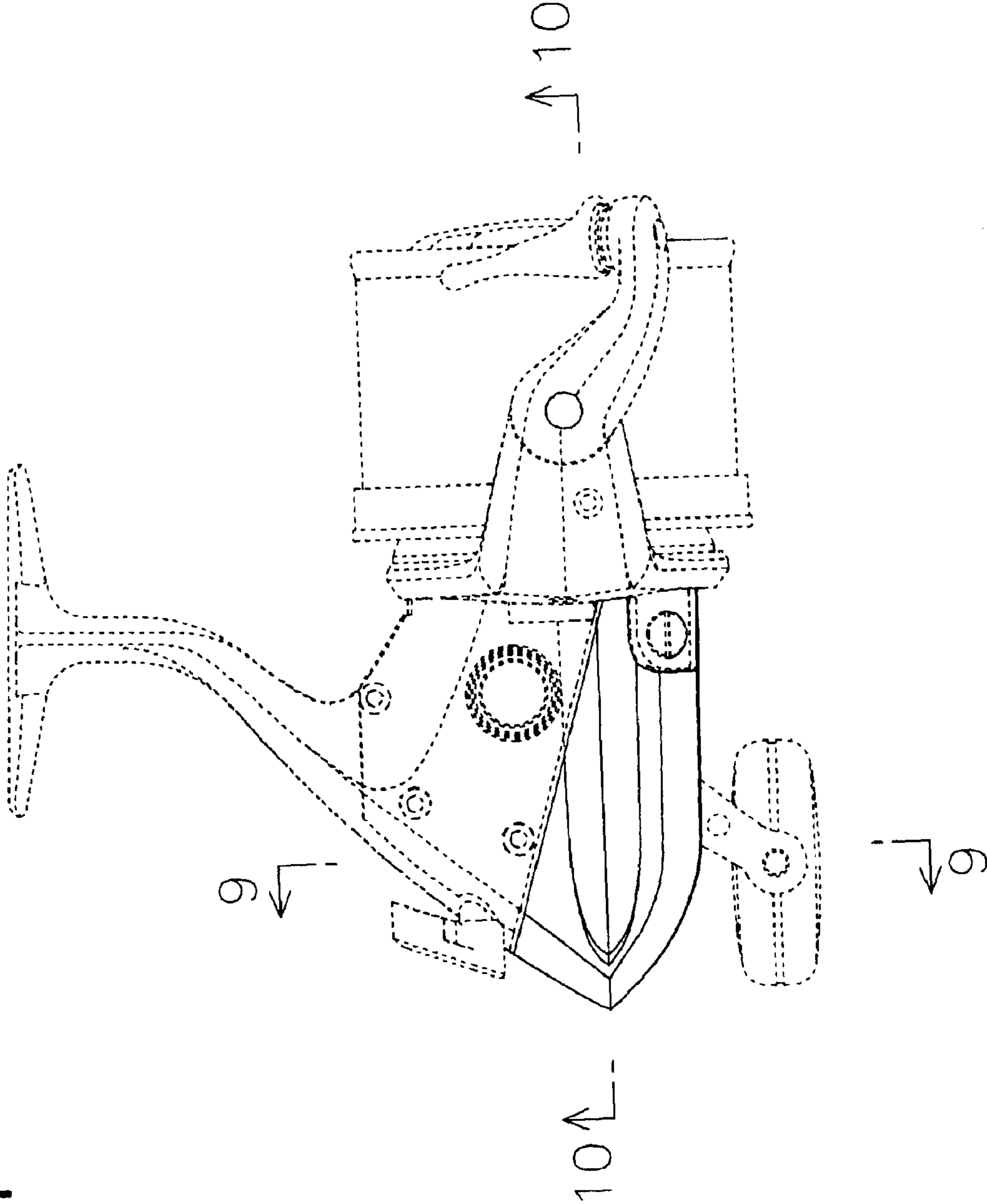


Fig. 1



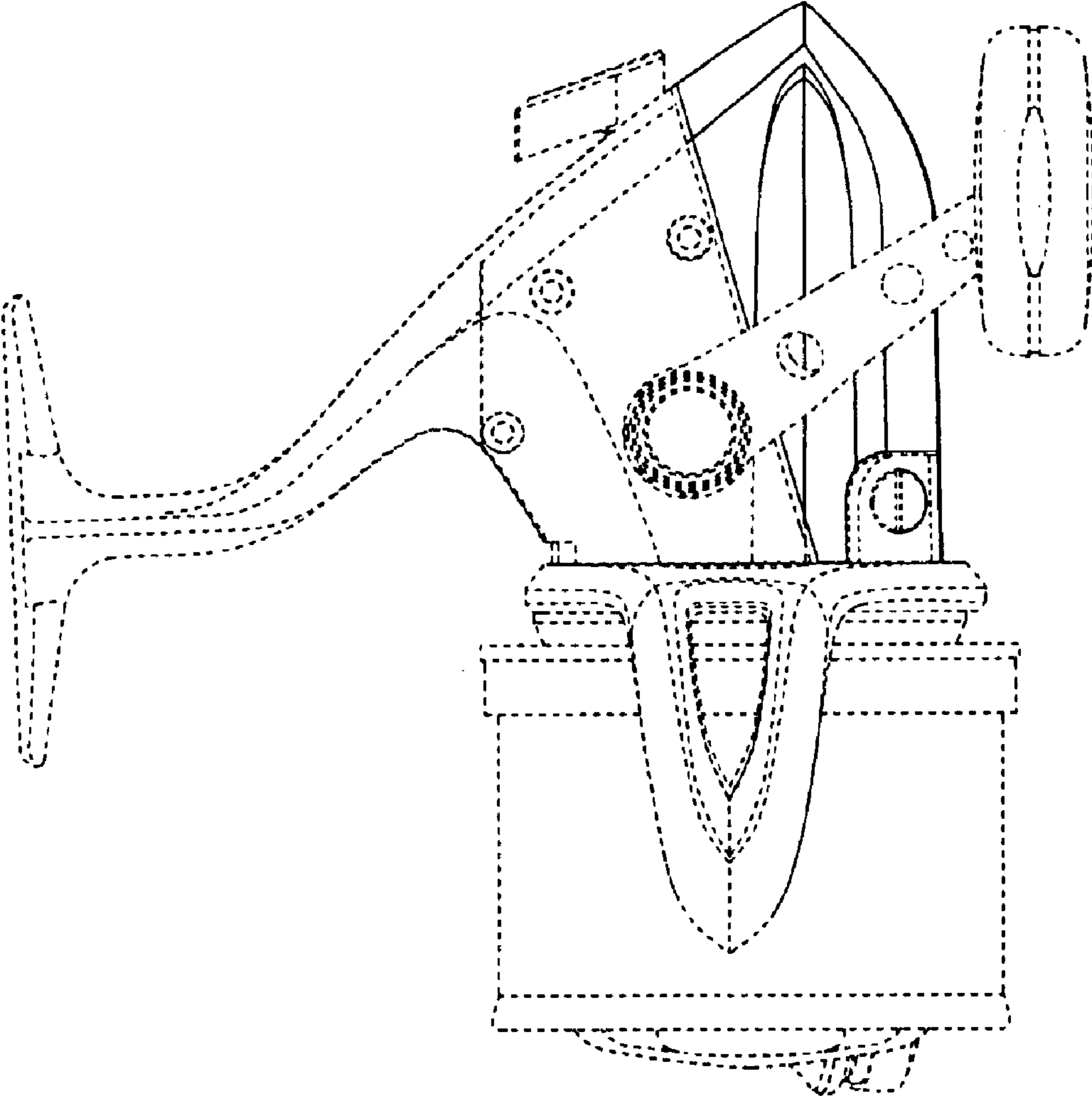


Fig. 2

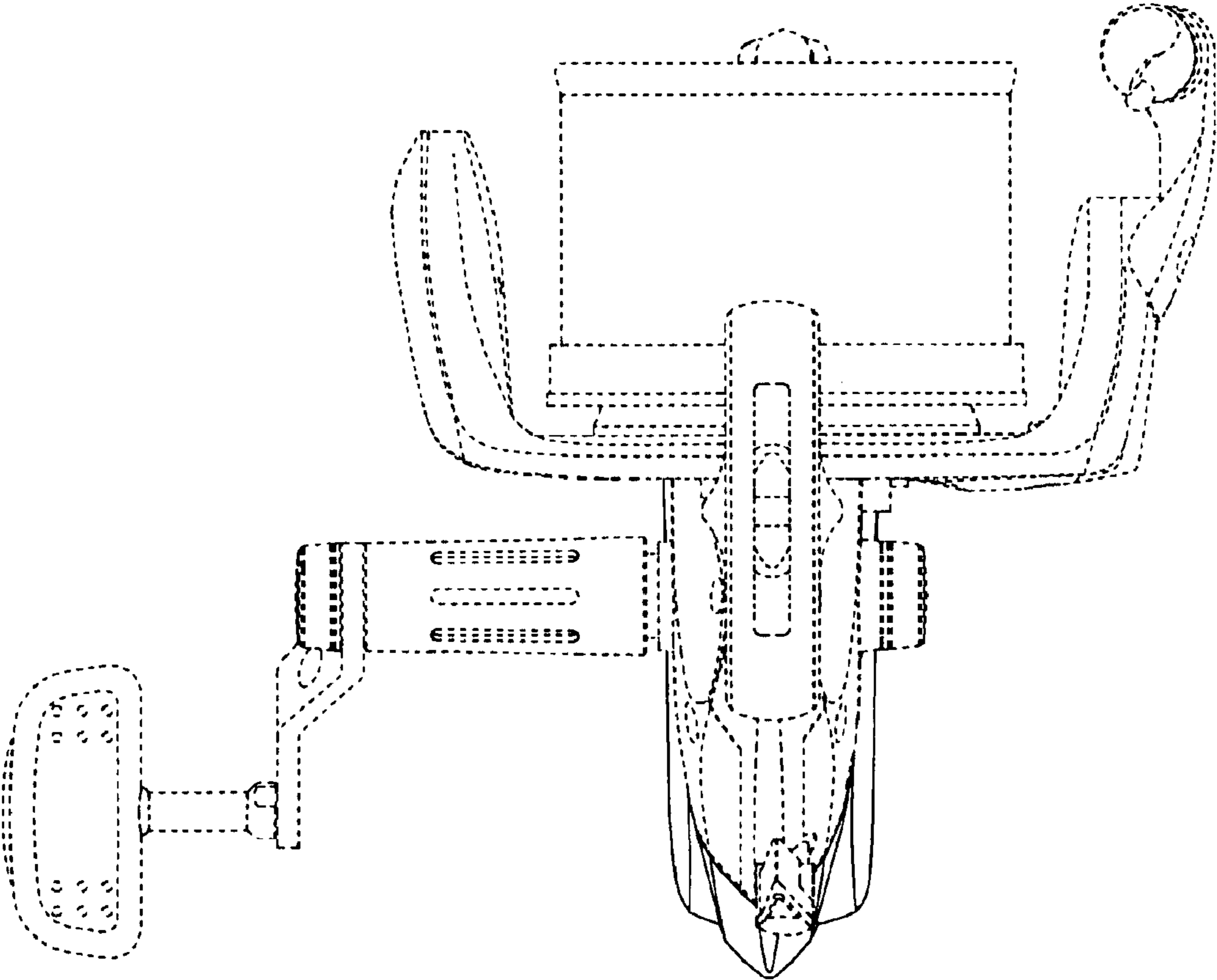


Fig. 3

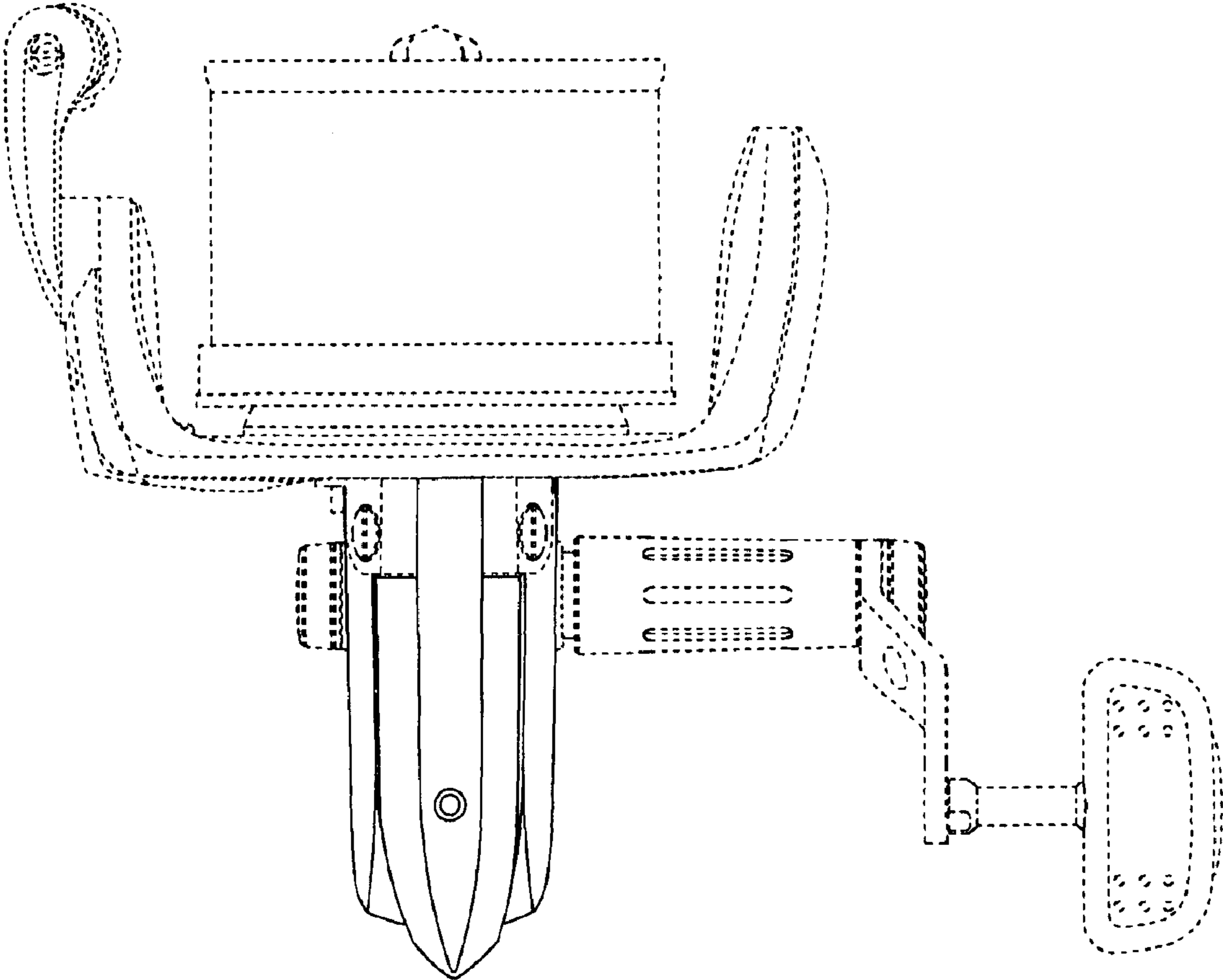


Fig. 4

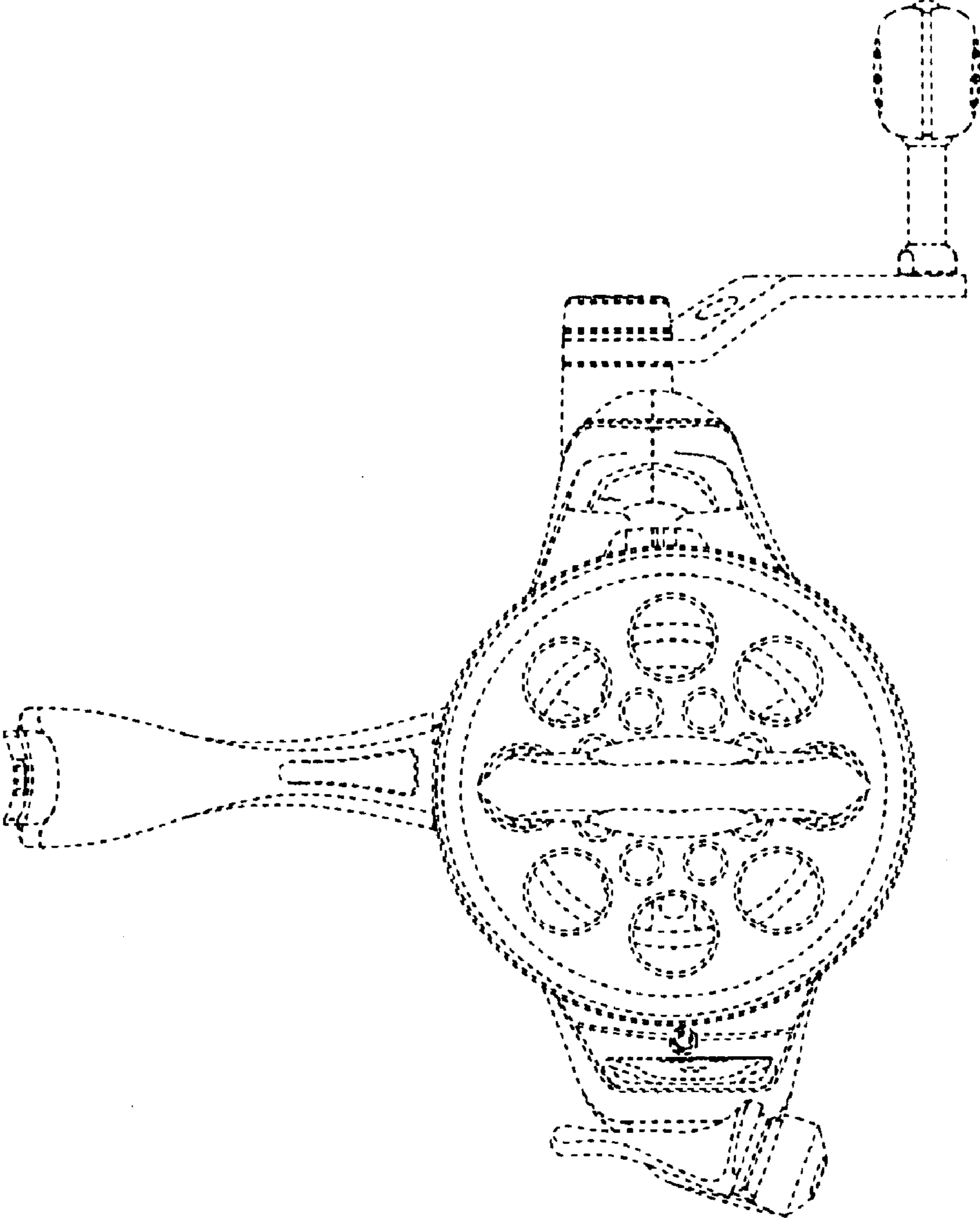


Fig. 5



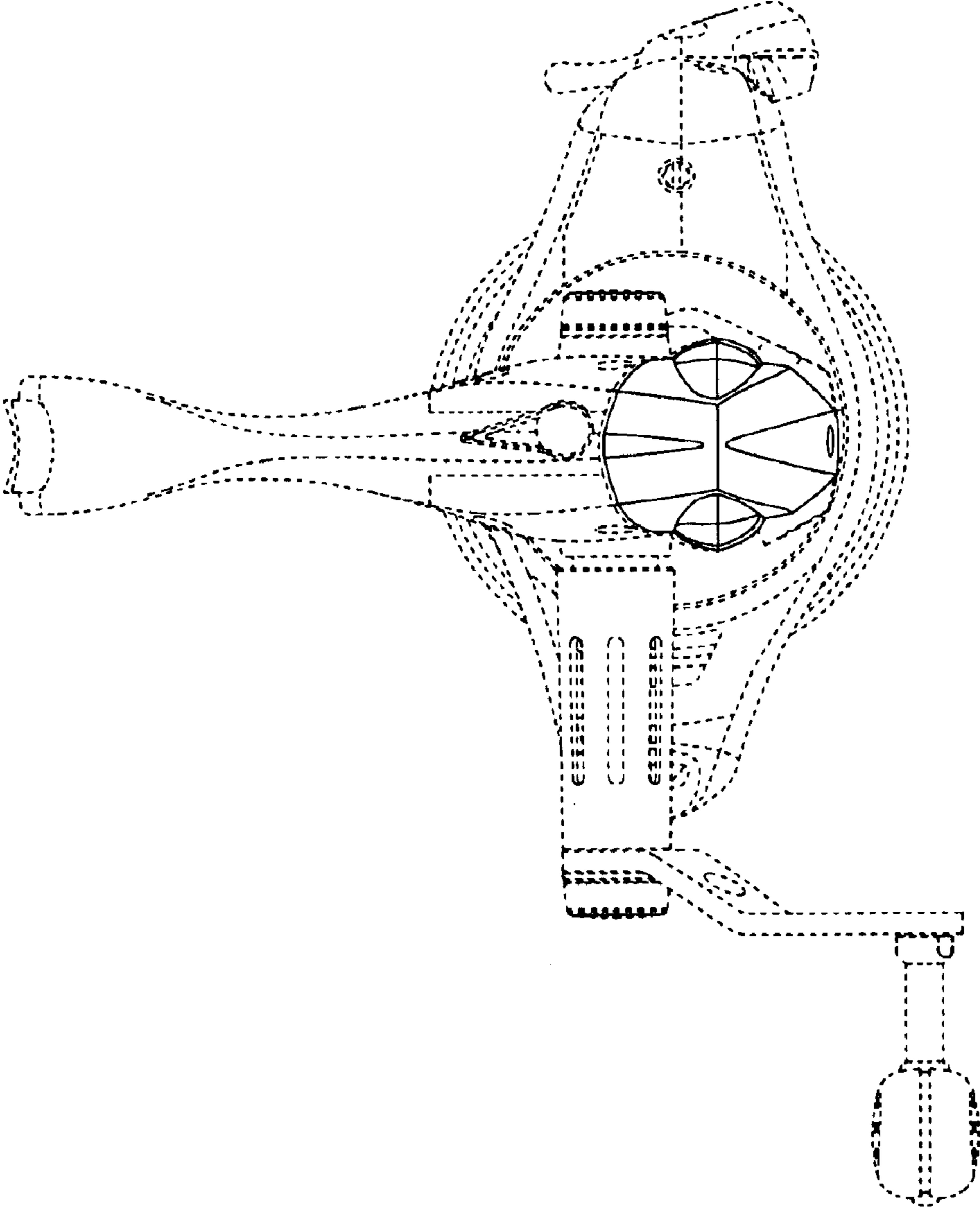


Fig. 6

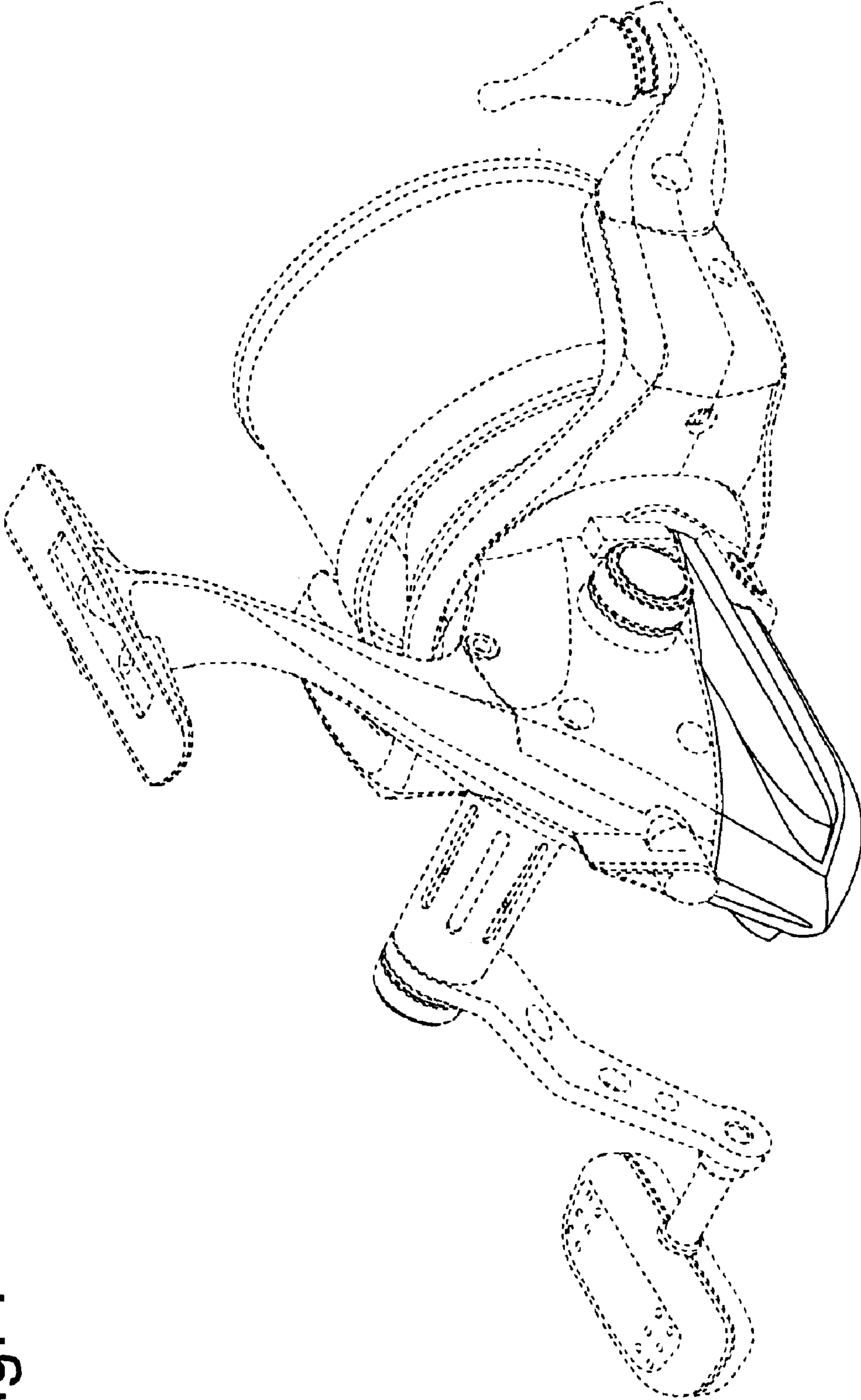


Fig. 7



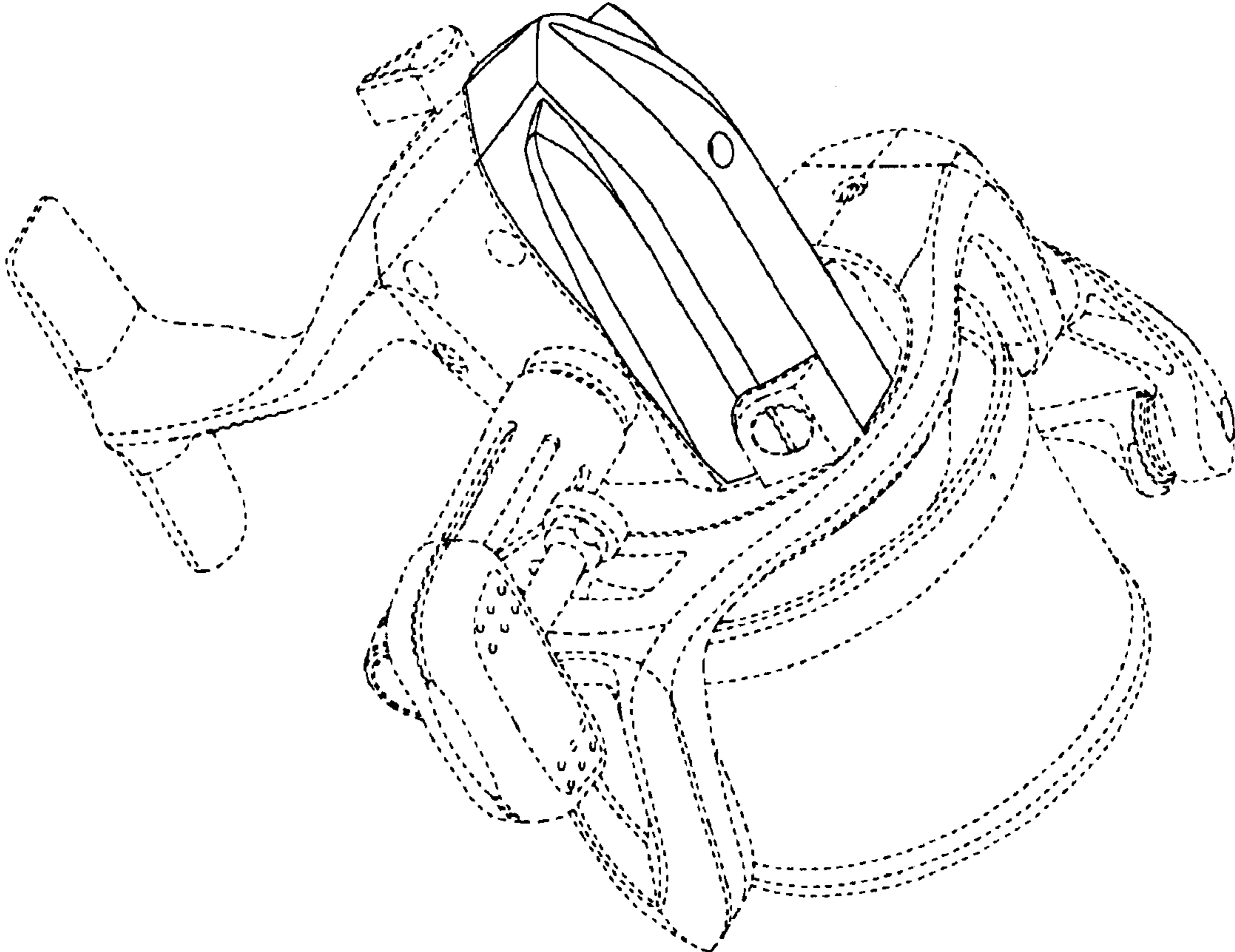


Fig. 8

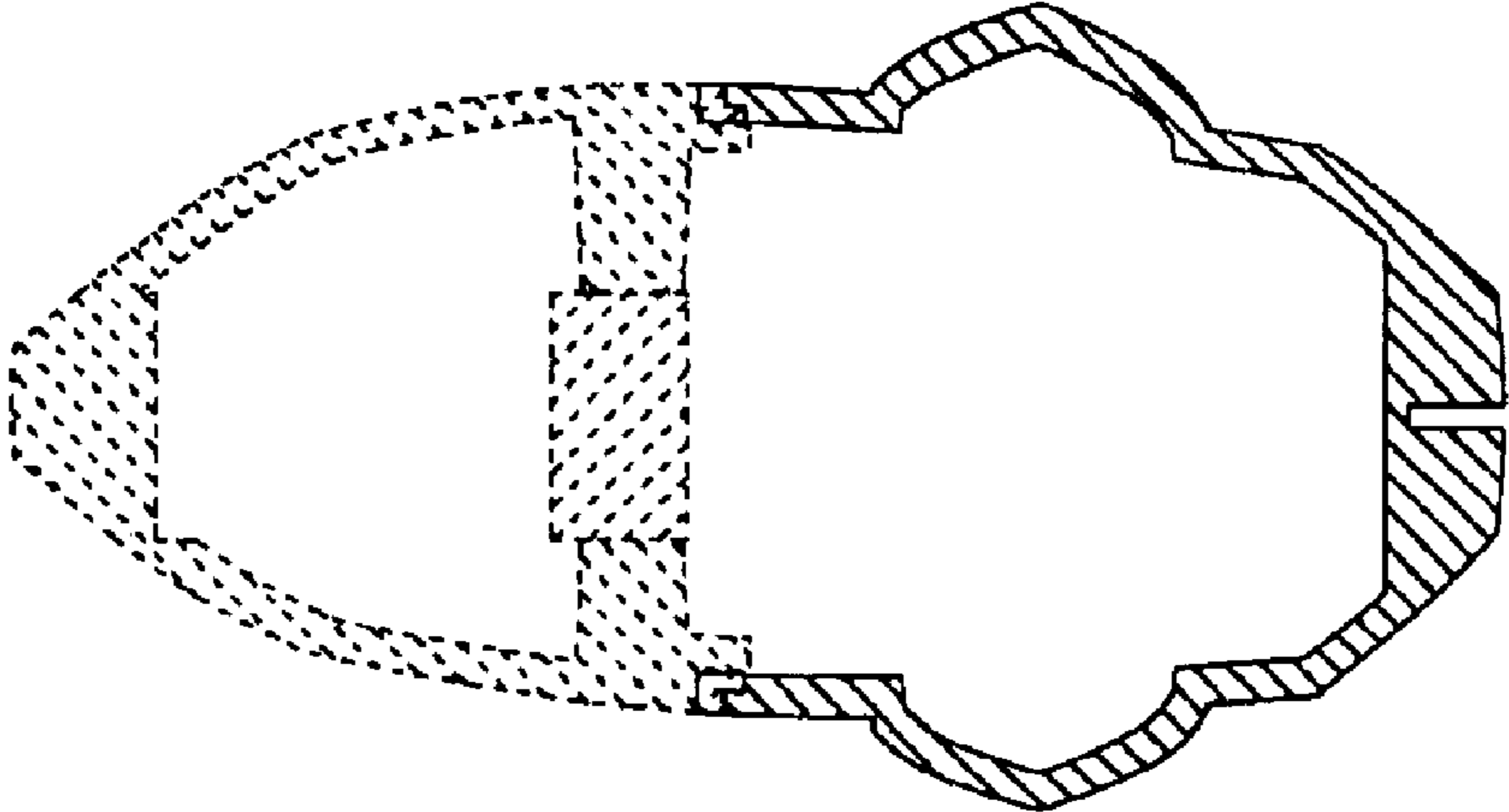


Fig. 9

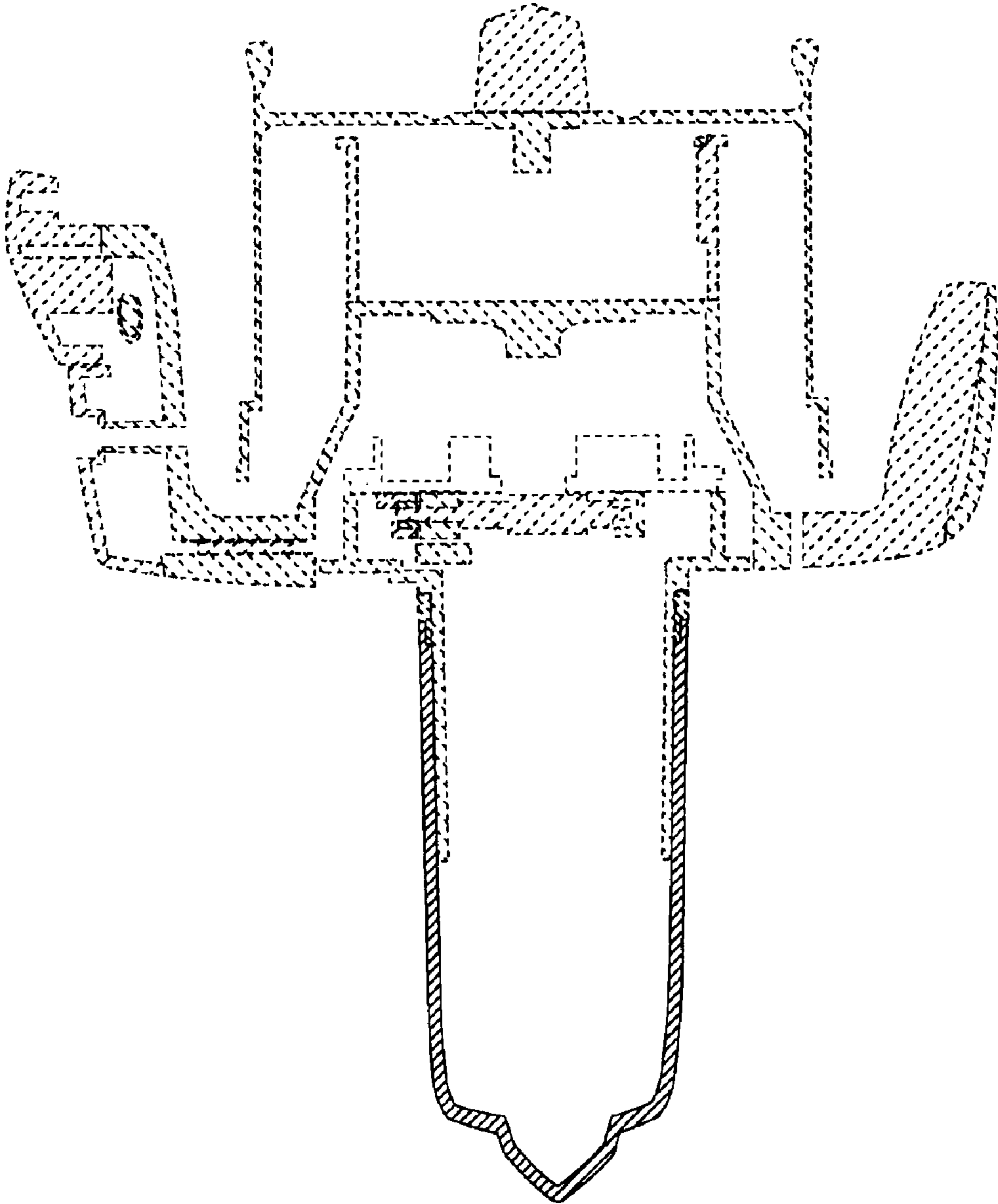


Fig. 10