



US00D503959S

(12) **United States Design Patent**
Wardle

(10) **Patent No.:** **US D503,959 S**

(45) **Date of Patent:** **** Apr. 12, 2005**

(54) **BOLT-ACTION RIFLE RECEIVER**

(76) **Inventor:** **Darran L. Wardle**, 6785 Crater Lake Hwy., Central Point, OR (US) 97502-8408

(**) **Term:** **14 Years**

(21) **Appl. No.:** **29/180,657**

(22) **Filed:** **Apr. 29, 2003**

(51) **LOC (7) Cl.** **22-01**

(52) **U.S. Cl.** **D22/108**

(58) **Field of Search** D22/100, 104, D22/108, 199; 42/16, 25, 75.01, 75.02, 75.03, 75.04; 89/141, 144, 153, 199

(56) **References Cited**

U.S. PATENT DOCUMENTS

- 1,376,834 A * 5/1921 Sheppard 42/16
- 1,840,551 A * 1/1932 Young 42/16
- 4,593,488 A * 6/1986 Ruger 42/75.03

- D285,236 S * 8/1986 Brunton D22/108
- D285,237 S * 8/1986 Cellini D22/108
- 6,293,040 B1 * 9/2001 Luth 42/75.04

* cited by examiner

Primary Examiner—Louis S. Zarfes

Assistant Examiner—Monica A. Weingart

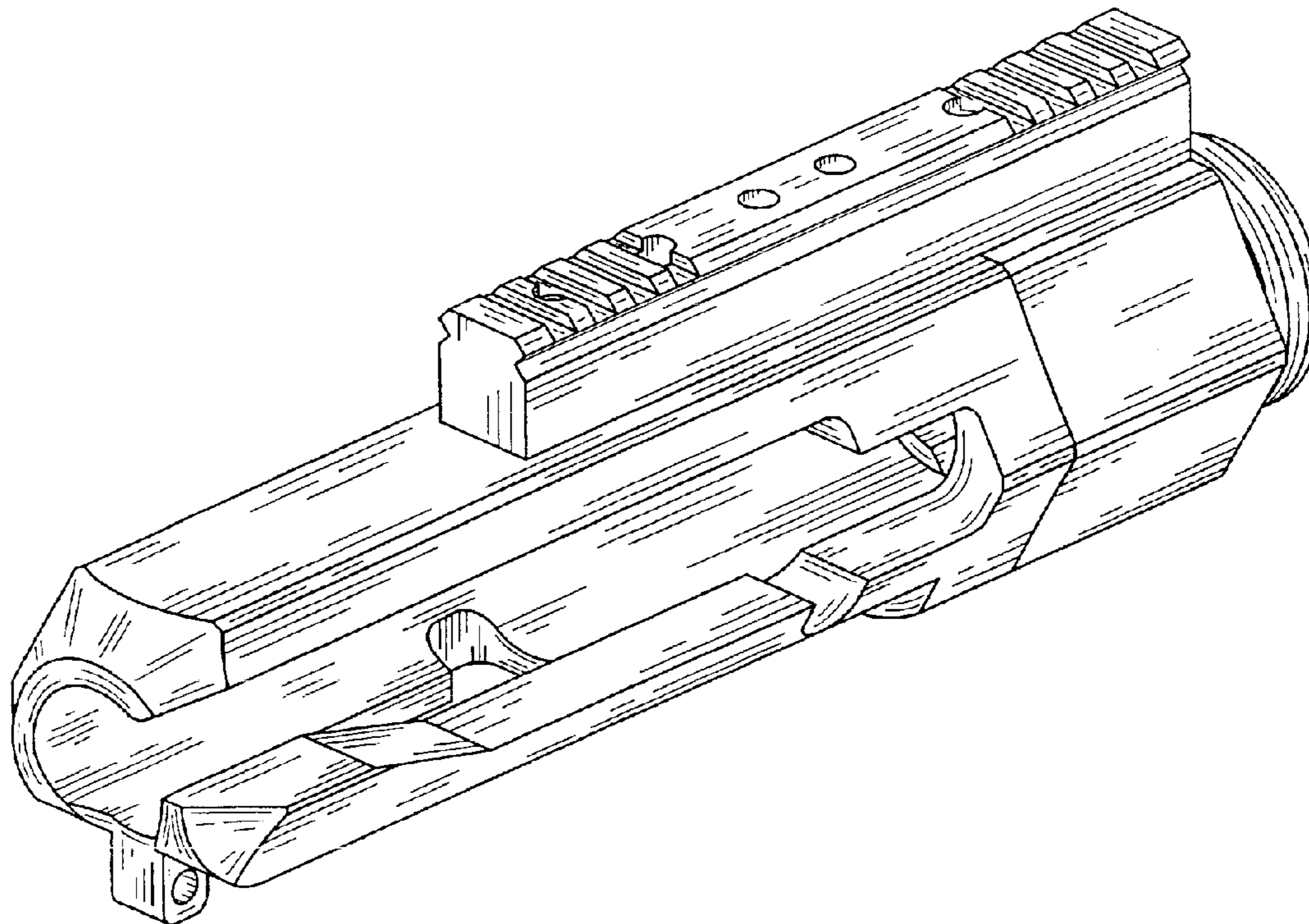
(57) **CLAIM**

I claim the ornamental design for a bolt-action rifle receiver, as show and described.

DESCRIPTION

FIG. 1 is a front elevational view of a bolt-action rifle receiver showing my new design;
 FIG. 2 is a back elevational view thereof;
 FIG. 3 is a right side elevational view thereof;
 FIG. 4 is a left side elevational view thereof;
 FIG. 5 is a bottom plan view thereof;
 FIG. 6 is a top plan view thereof; and,
 FIG. 7 is a back perspective view thereof.

1 Claim, 7 Drawing Sheets



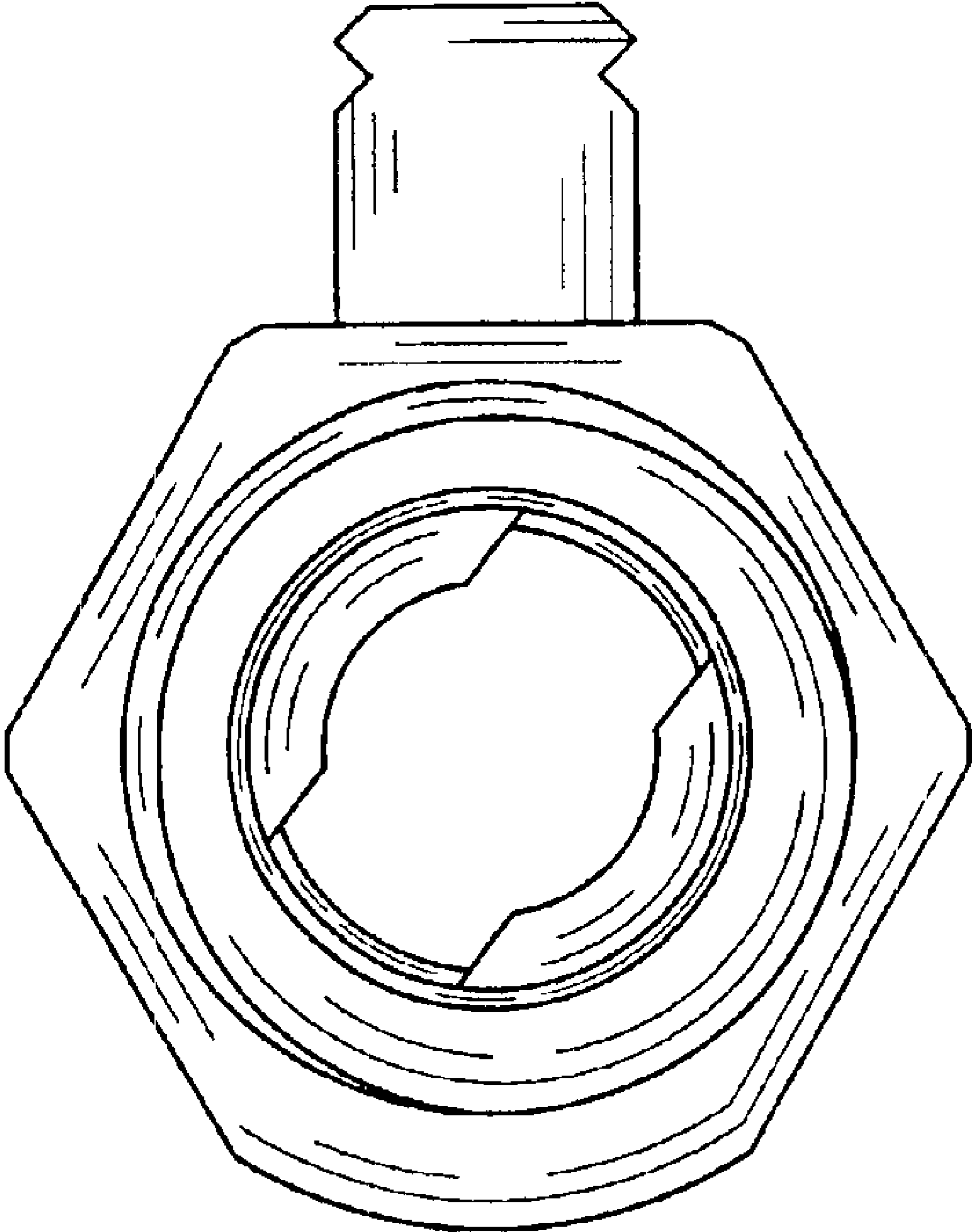


FIG. 1

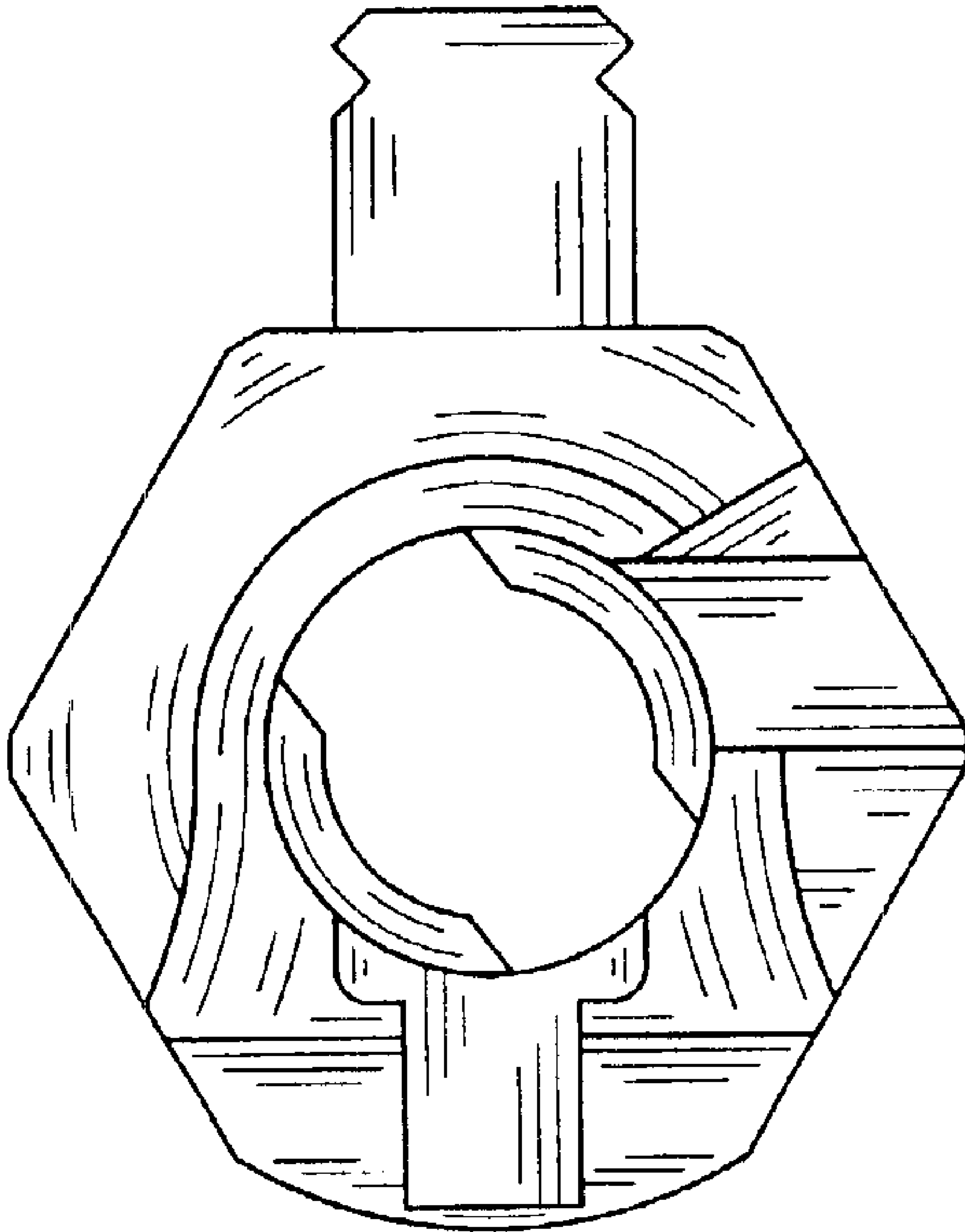


FIG. 2

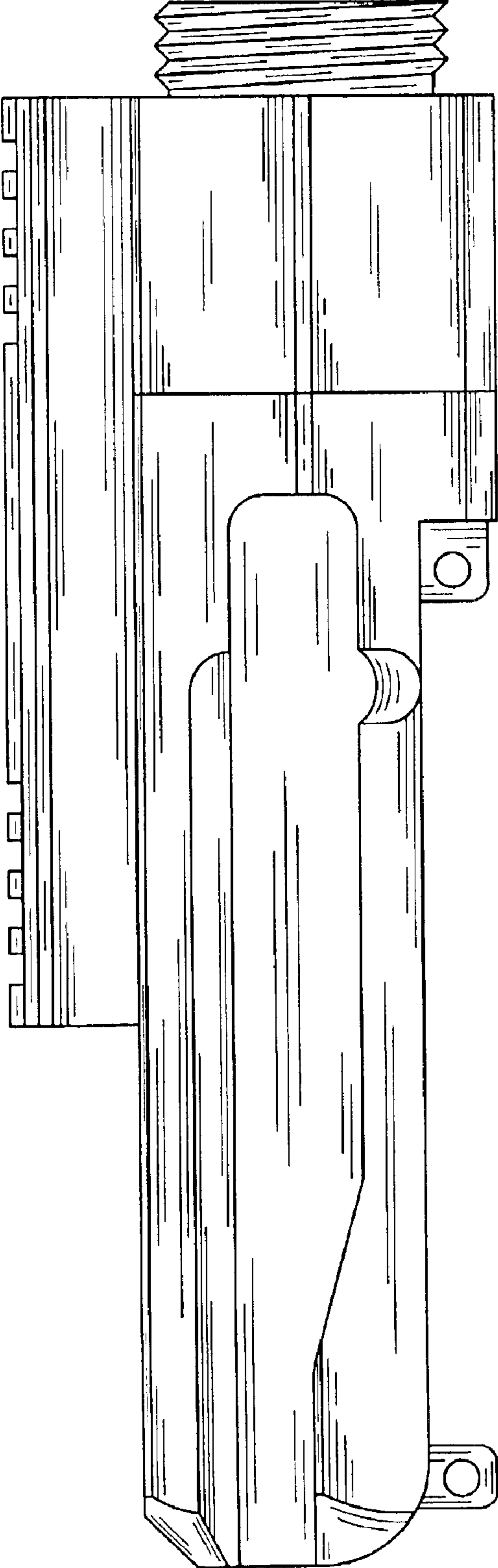


FIG. 3

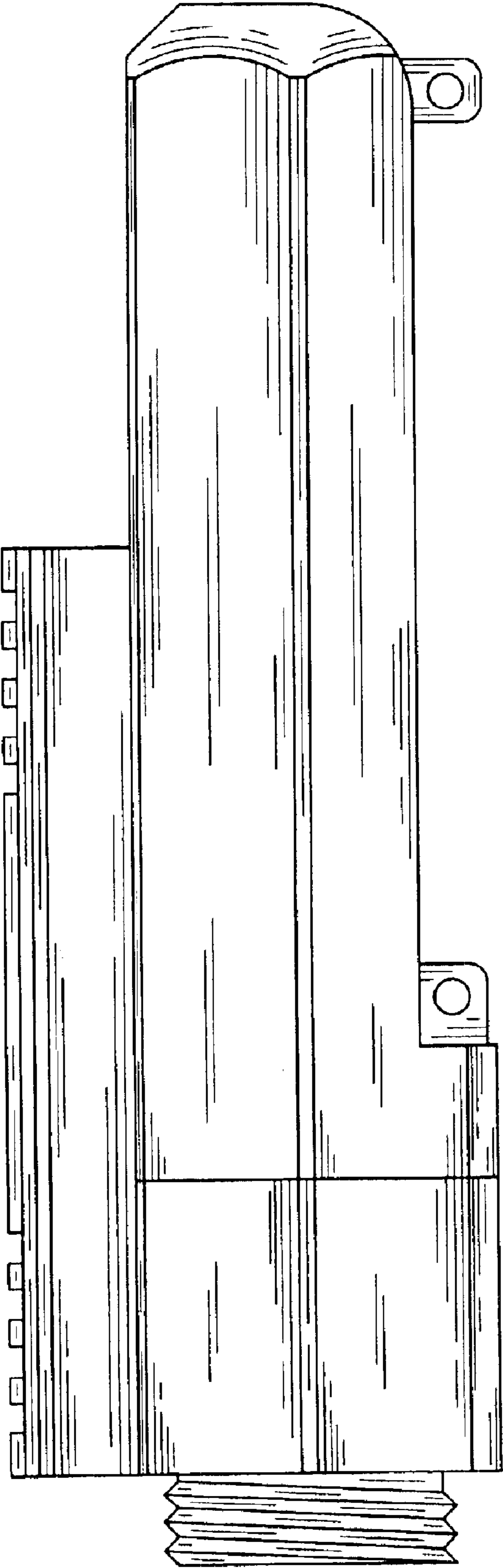


FIG. 4

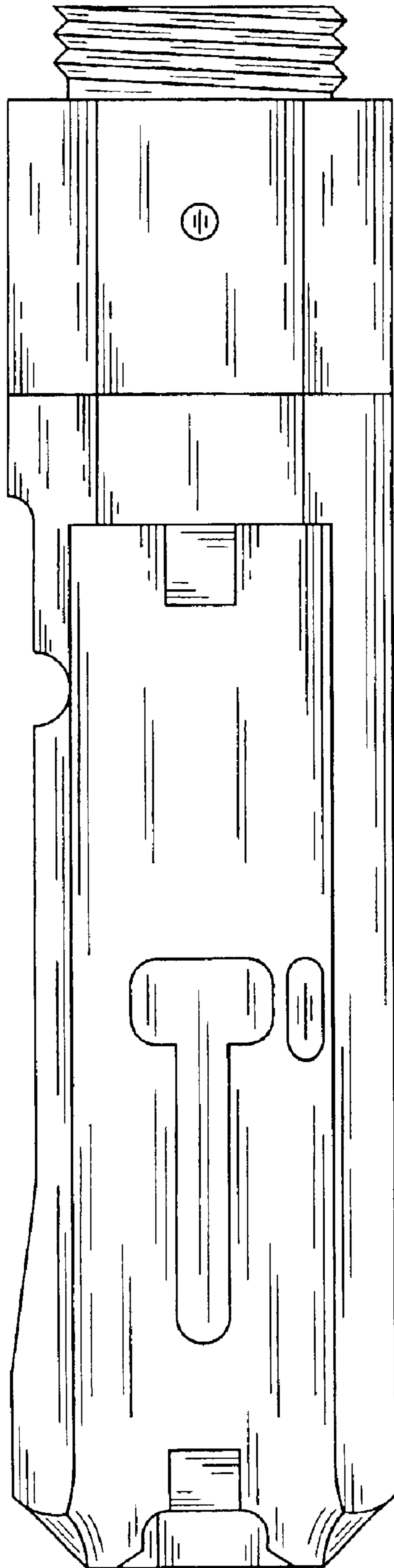


FIG. 5

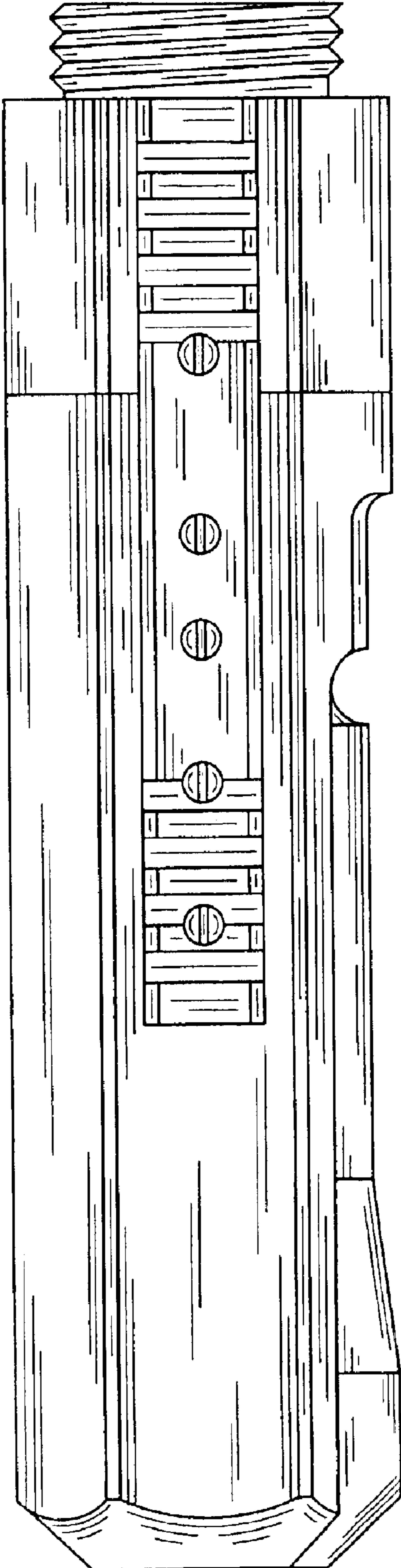


FIG. 6

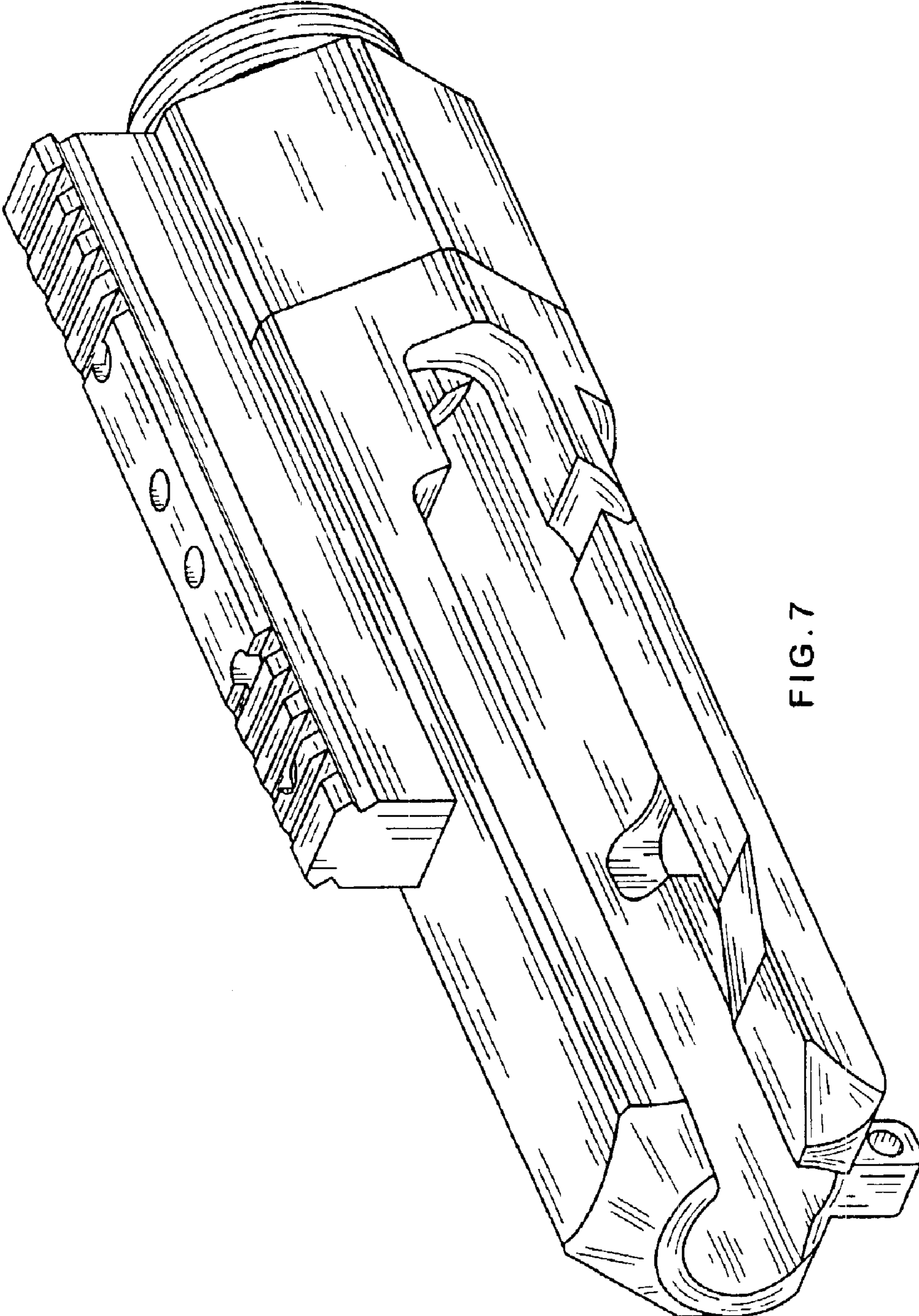


FIG. 7