

US00D503957S

(12) **United States Design Patent**
Gallenson et al.

(10) **Patent No.:** **US D503,957 S**
(45) **Date of Patent:** **** Apr. 12, 2005**

(54) **TOWABLE DIVING AID**

(75) Inventors: **Marvin J. Gallenson**, Salt Lake City, UT (US); **Jason Bohn**, Salt Lake City, UT (US); **Thomas L. Malcolm**, Davis, CA (US)

(73) Assignee: **Veldora L.L.P.**, Salt Lake City, UT (US)

(**) Term: **14 Years**

(21) Appl. No.: **29/182,667**

(22) Filed: **May 28, 2003**

(51) **LOC (7) Cl.** **21-02**

(52) **U.S. Cl.** **D21/810**

(58) **Field of Search** D21/810, 769, D21/801, 803, 804, 807, 770; 114/253, 315, 244, 245; 441/65, 66, 68, 69, 72, 73, 75, 79, 55, 56, 58

(56) **References Cited**

U.S. PATENT DOCUMENTS

3,084,653 A	*	4/1963	Lepine et al.	114/245
3,107,640 A	*	10/1963	Lepine et al.	114/245
3,163,148 A	*	12/1964	Duren et al.	114/245
3,625,172 A	*	12/1971	Gilster	114/245
D239,727 S	*	4/1976	Sturmer	D21/803
4,207,829 A	*	6/1980	Meister et al.	114/245
D272,259 S		1/1984	Meister	
D273,127 S		3/1984	Meister	

4,624,207 A		11/1986	King	
4,973,279 A	*	11/1990	Baumann	441/135
5,007,871 A		4/1991	Dyer	
5,178,090 A		1/1993	Carter	
5,482,485 A	*	1/1996	Ball	441/65
5,499,592 A		3/1996	Monfort	
5,558,551 A	*	9/1996	Irby	441/65
5,617,809 A	*	4/1997	Arango	114/315
5,655,939 A		8/1997	Garrido Salvadores	
5,970,900 A	*	10/1999	Sheldon et al.	114/253
5,988,096 A		11/1999	Benesch et al.	
6,145,462 A		11/2000	Aquino	

* cited by examiner

Primary Examiner—Lucy Lieberman
(74) *Attorney, Agent, or Firm*—TraskBritt

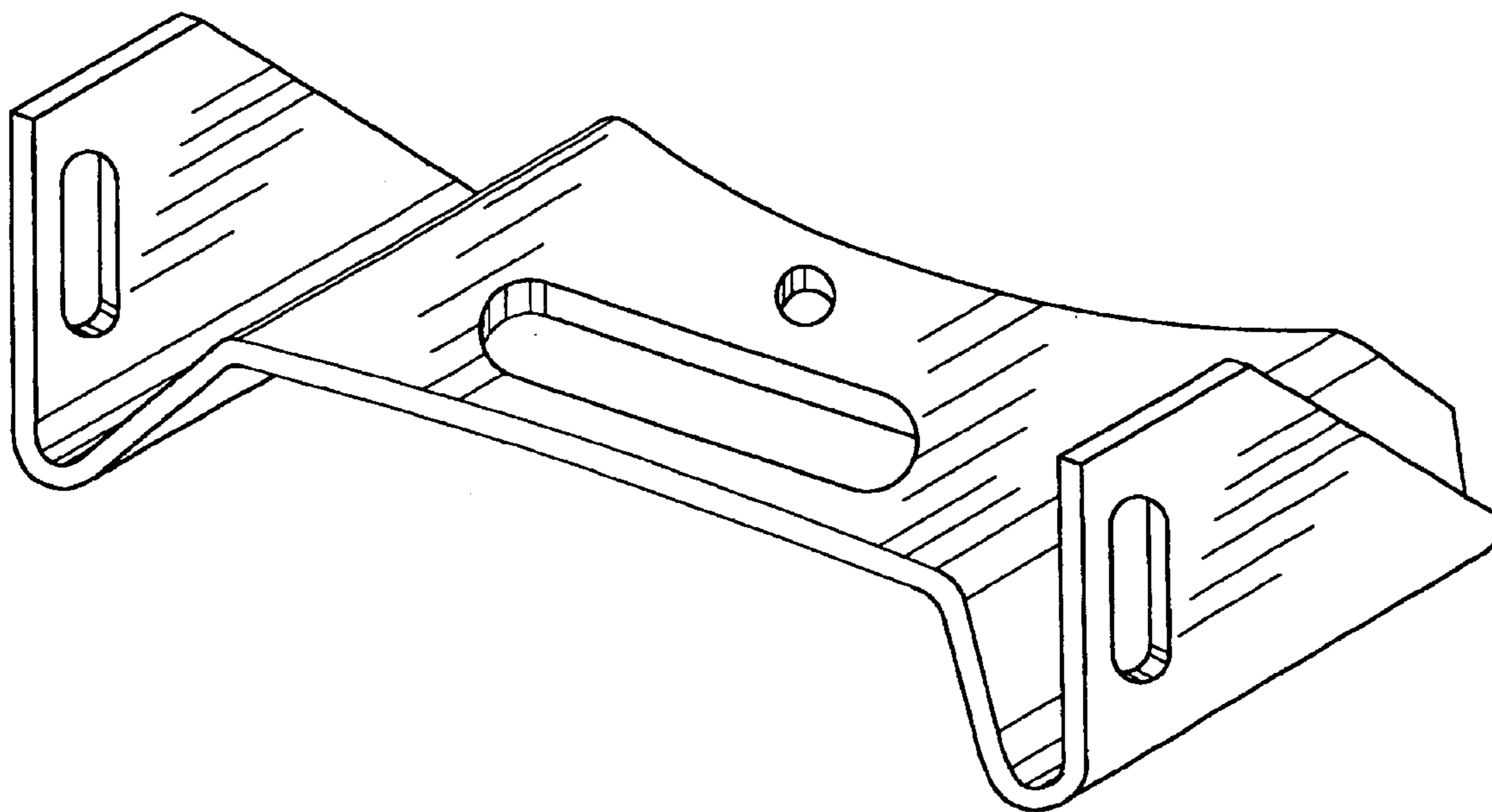
(57) **CLAIM**

The ornamental design for a towable diving aid, as shown and described.

DESCRIPTION

FIG. 1 is a perspective view of a towable diving aid showing our design;
FIG. 2 is a top plan view of our design;
FIG. 3 is a rear side view thereof;
FIG. 4 is a bottom plan view thereof;
FIG. 5 is a right side view thereof;
FIG. 6 is a front side view thereof; and,
FIG. 7 is a left side view thereof.

1 Claim, 3 Drawing Sheets



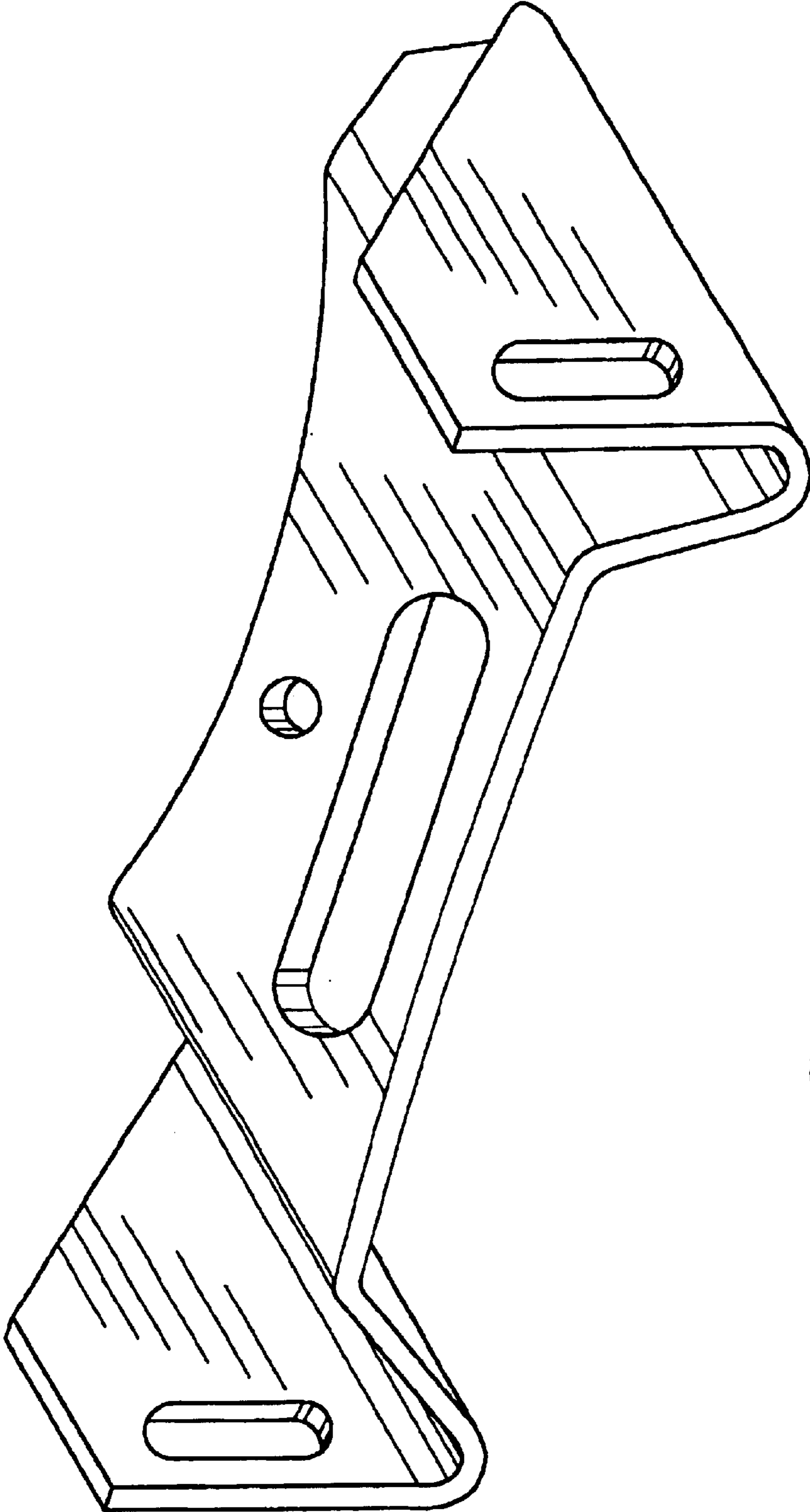


FIG. 1

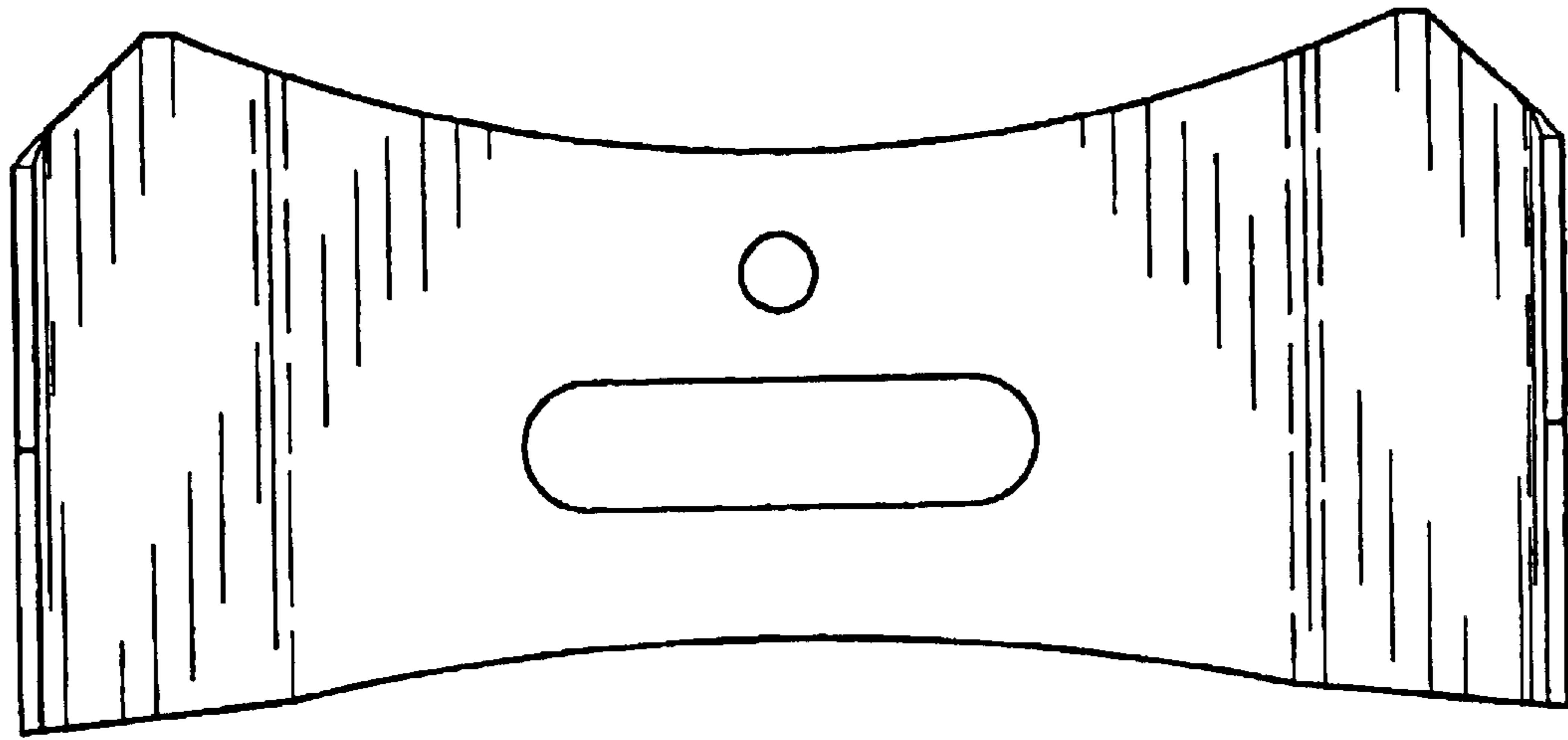


FIG. 2

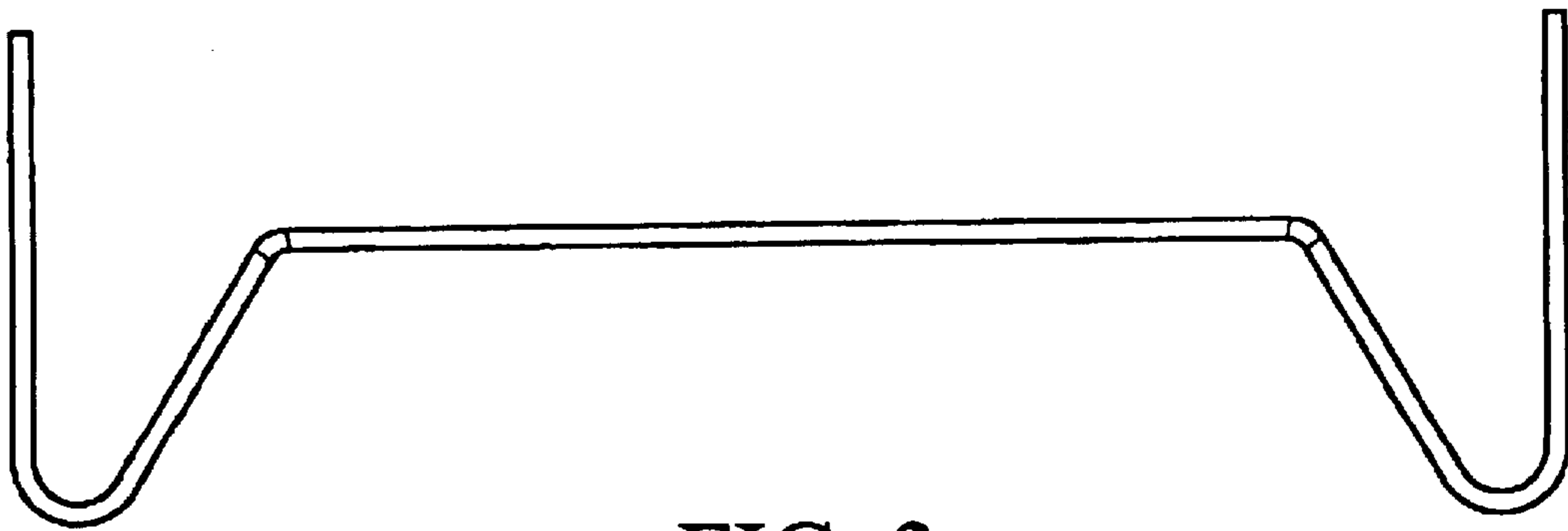


FIG. 3

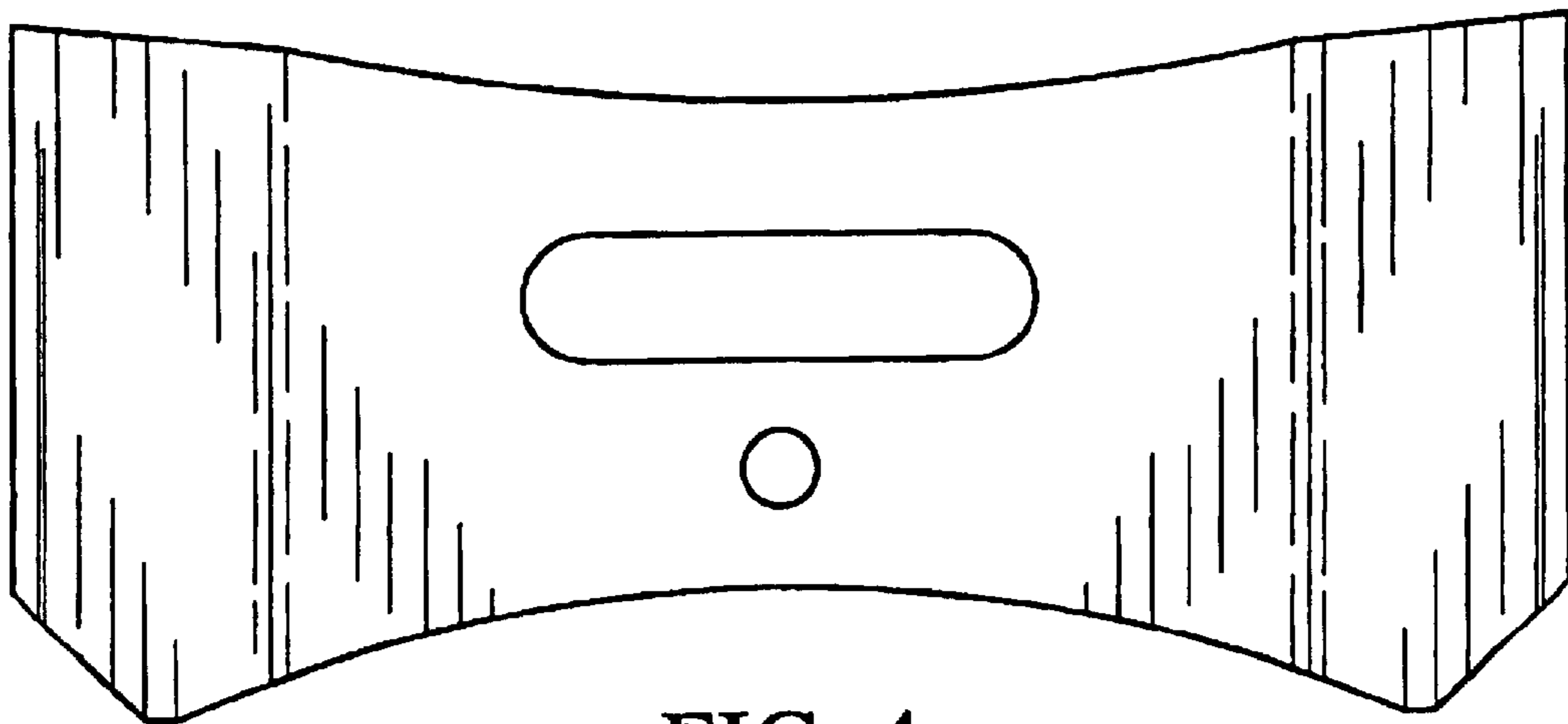


FIG. 4

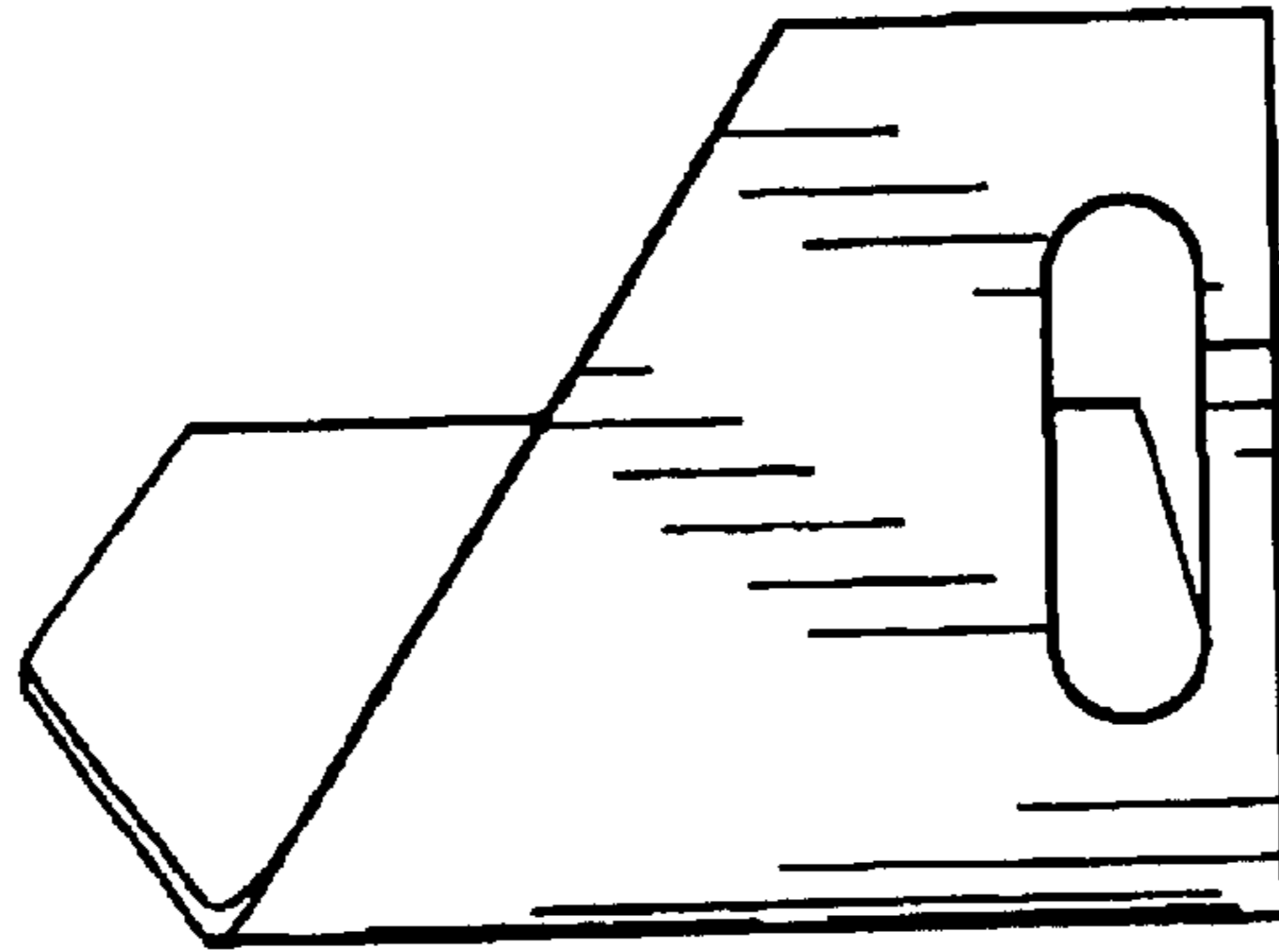


FIG. 5

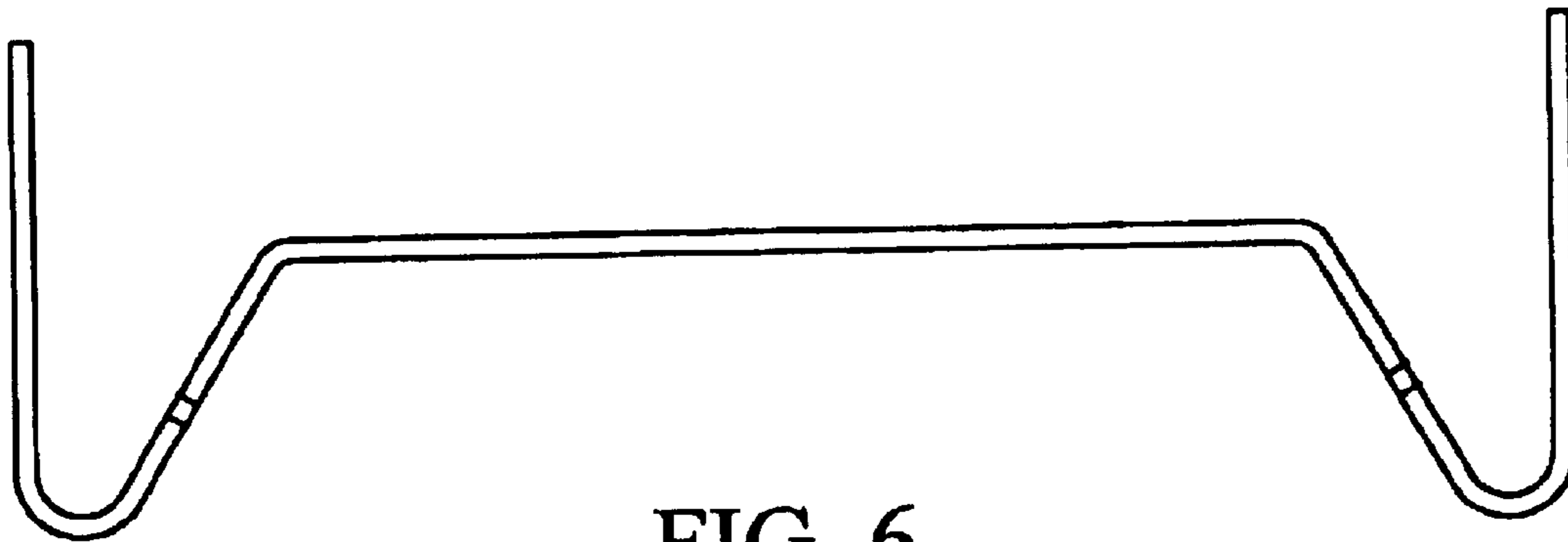


FIG. 6

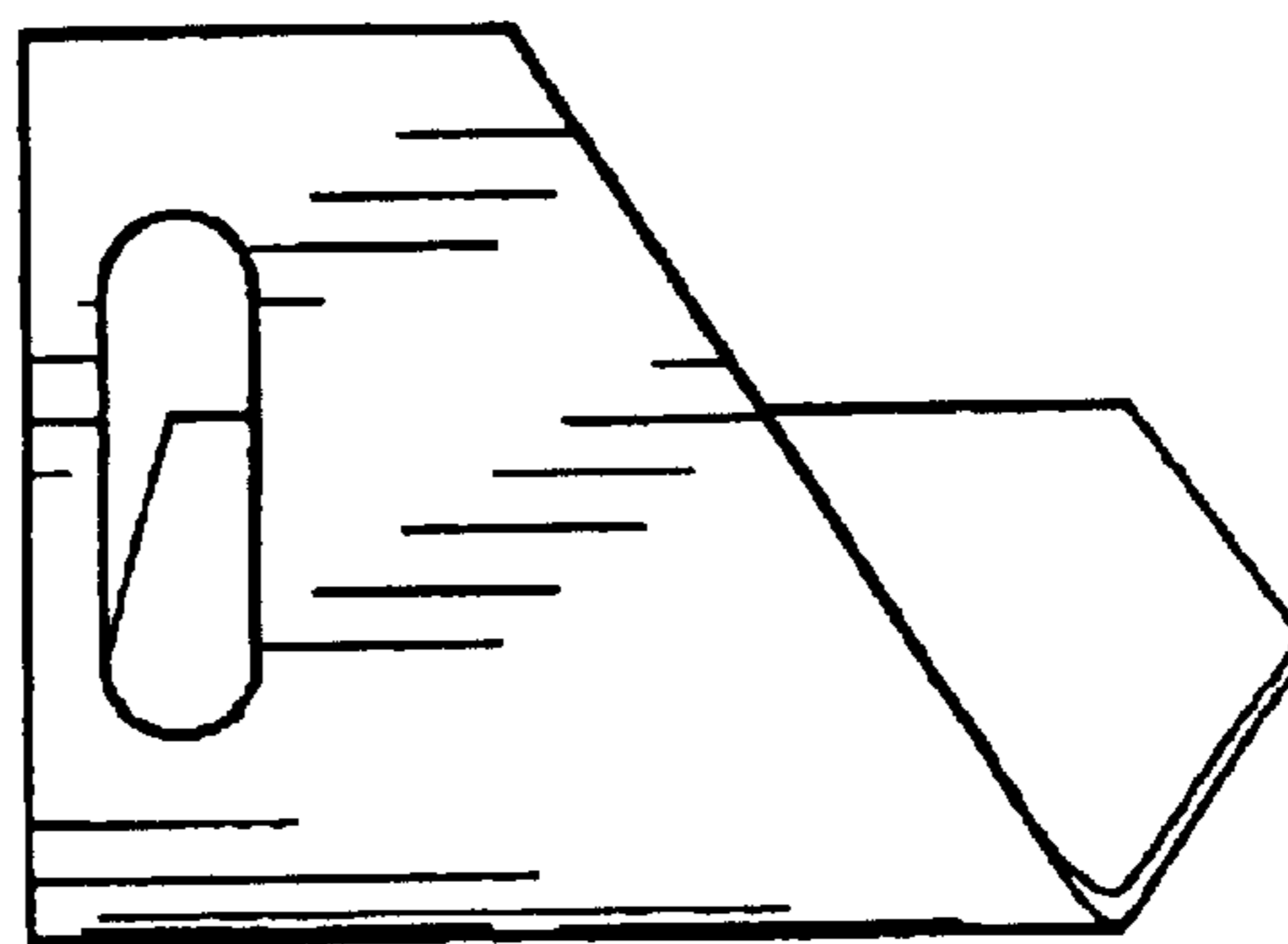


FIG. 7