



US00D503947S

(12) **United States Design Patent**
Shirley

(10) **Patent No.:** **US D503,947 S**
(45) **Date of Patent:** **** Apr. 12, 2005**

(54) **GOLF CLUB HEAD SHAPED
TRANSPARENCY VIEWER**

(76) Inventor: **Brian Shirley**, P.O. Box 271157, Salt
Lake City, UT (US) 84127

(**) Term: **14 Years**

(21) Appl. No.: **29/200,553**

(22) Filed: **Mar. 1, 2004**

(51) **LOC (7) Cl.** **16-02**

(52) **U.S. Cl.** **D16/227; D21/735**

(58) **Field of Search** **D11/133; D16/221,**
D16/225, 227, 229; D21/733, 735; 40/361-367;
353/115, 119, 120, 122, DIG. 3

(56) **References Cited**

U.S. PATENT DOCUMENTS

D104,495 S	*	5/1937	Gallagher	D21/735
D149,554 S	*	5/1948	Halbriter	D16/227
D153,602 S	*	5/1949	Halbriter	D16/227
D401,605 S		11/1998	Shirley		
D421,033 S		2/2000	Shirley et al.		
D421,034 S		2/2000	Shirley et al.		
D421,035 S		2/2000	Shirley et al.		
D421,762 S		3/2000	Shirley et al.		
D449,663 S	*	10/2001	Laibangyang	D21/733
D489,105 S	*	4/2004	Kim	D21/733

D498,248 S * 11/2004 Shirley D16/227

* cited by examiner

Primary Examiner—Adir Aronovich

(74) *Attorney, Agent, or Firm*—Jones Waldo Holbrook &
McDonough, PC; Brent T. Winder

(57) **CLAIM**

The ornamental design for a golf club head shaped trans-
parency viewer, as shown and described.

DESCRIPTION

FIG. 1 is a perspective view showing the golf club head shaped
transparency viewer of the present design;
FIG. 2 is a front view of the golf club head shaped trans-
parency viewer of FIG. 1;
FIG. 3 is a rear view of the golf club head shaped transpar-
ency viewer of FIG. 1;
FIG. 4 is a side view of the golf club head shaped transpar-
ency viewer of FIG. 1;
FIG. 5 is an opposite side view of the golf club head shaped
transparency viewer of FIG. 4;
FIG. 6 is a top plan view of the golf club head shaped
transparency viewer of FIG. 1; and,
FIG. 7 is a bottom plan view of the golf club head shaped
transparency viewer of FIG. 1.

1 Claim, 4 Drawing Sheets

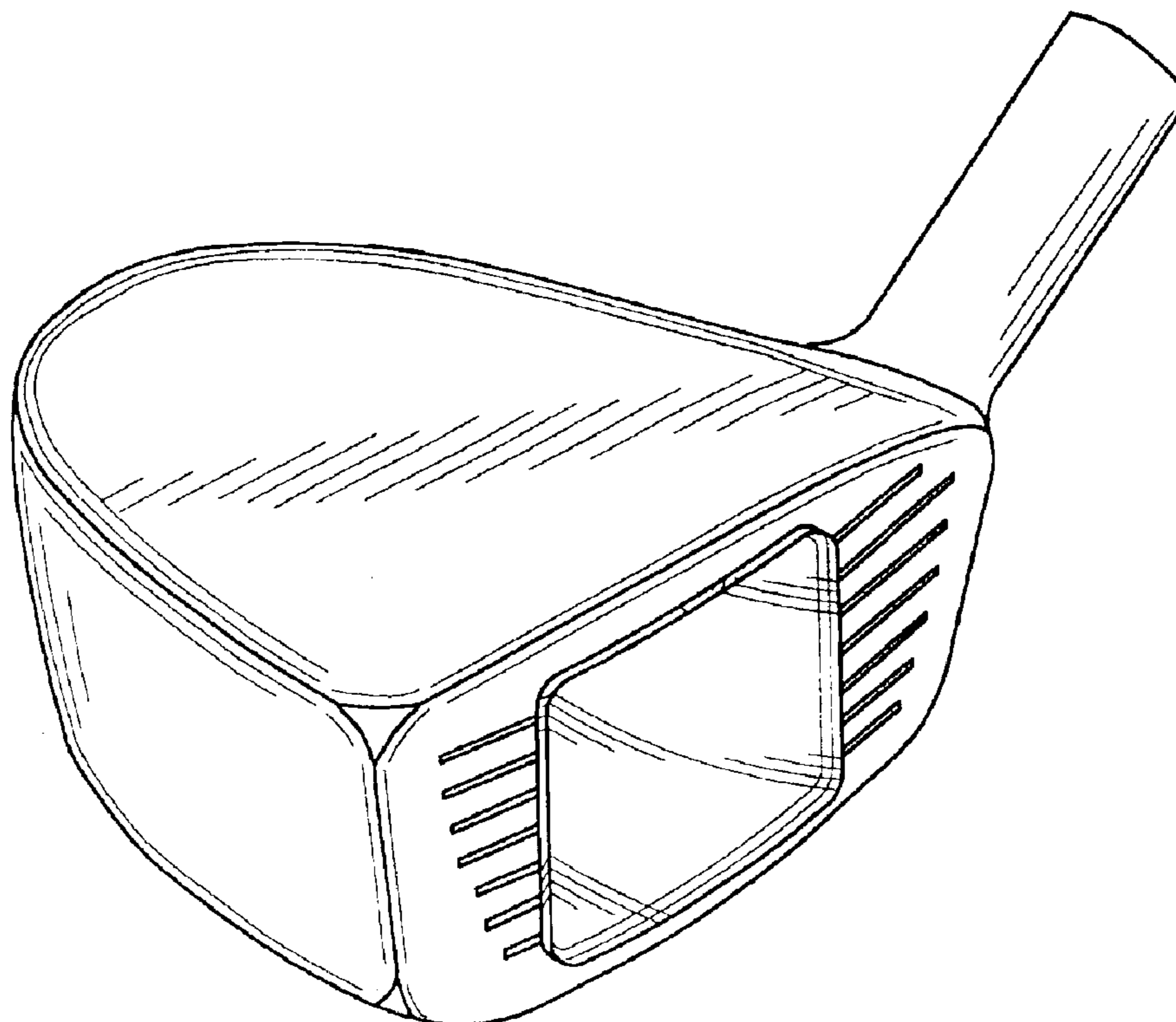


FIG.1

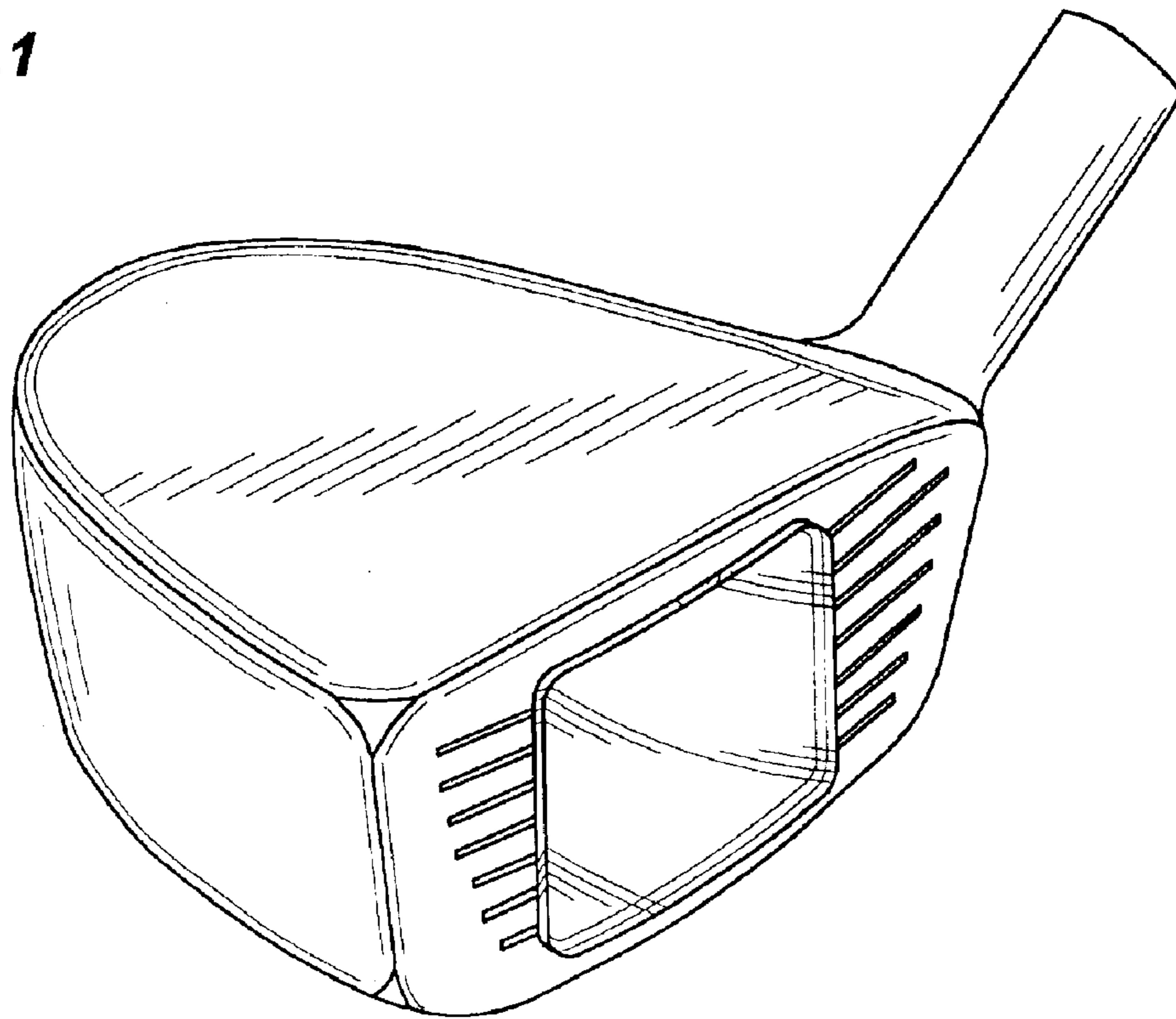


FIG.2

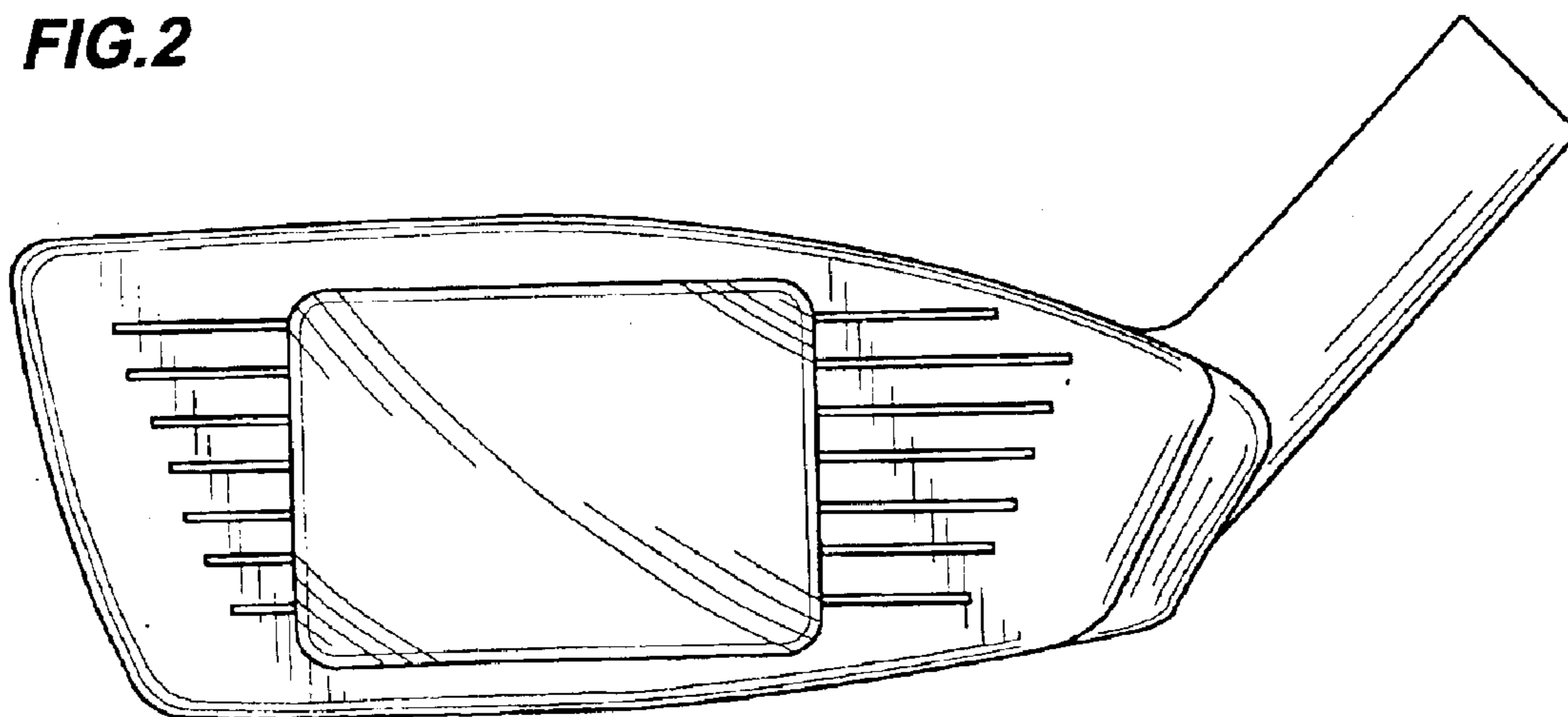


FIG.3

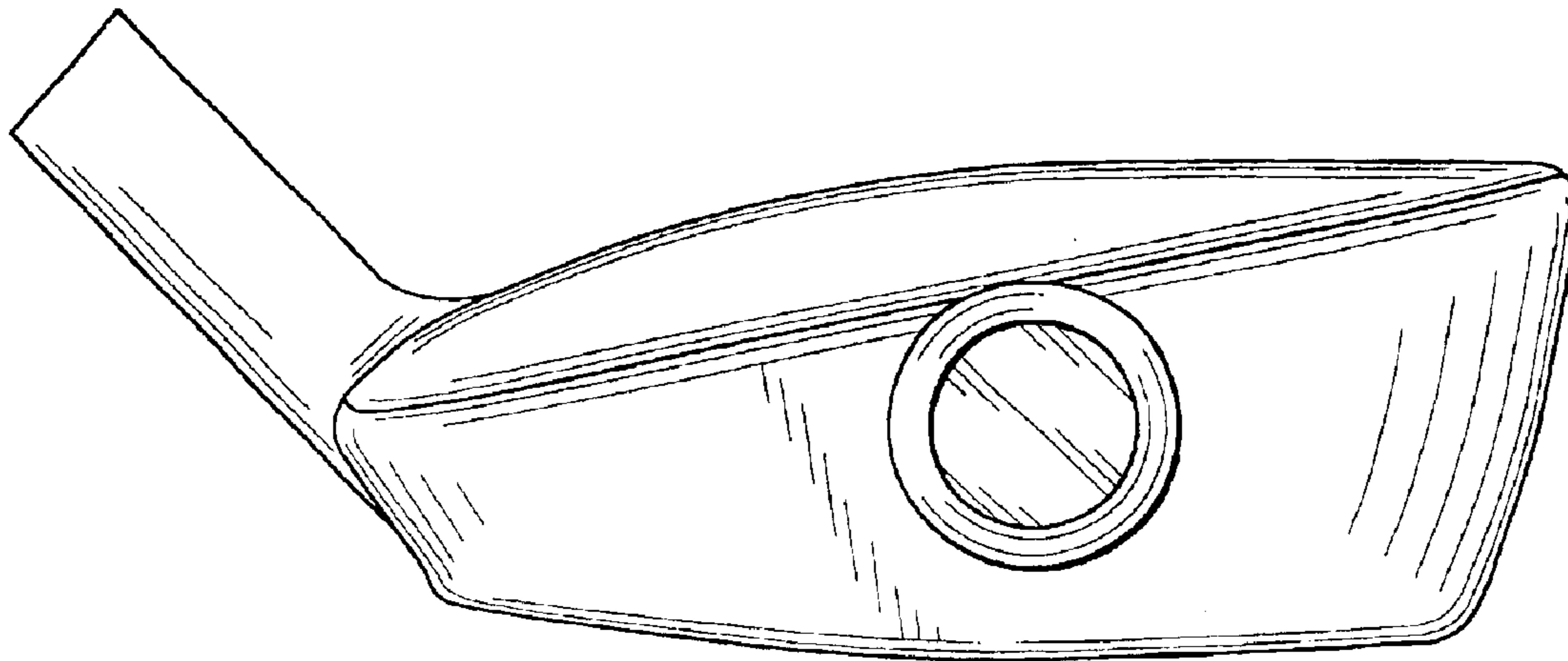


FIG.4

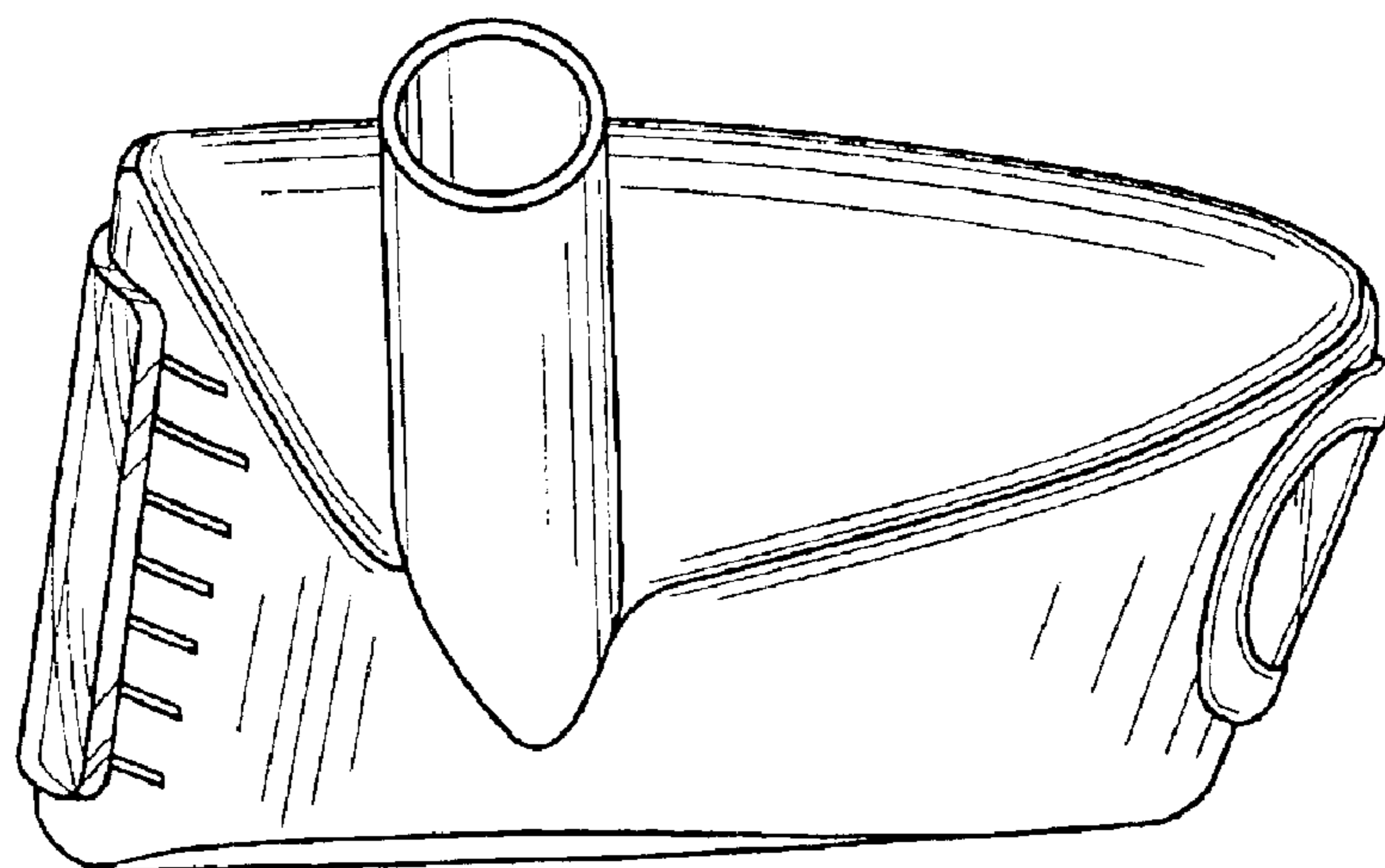


FIG.5

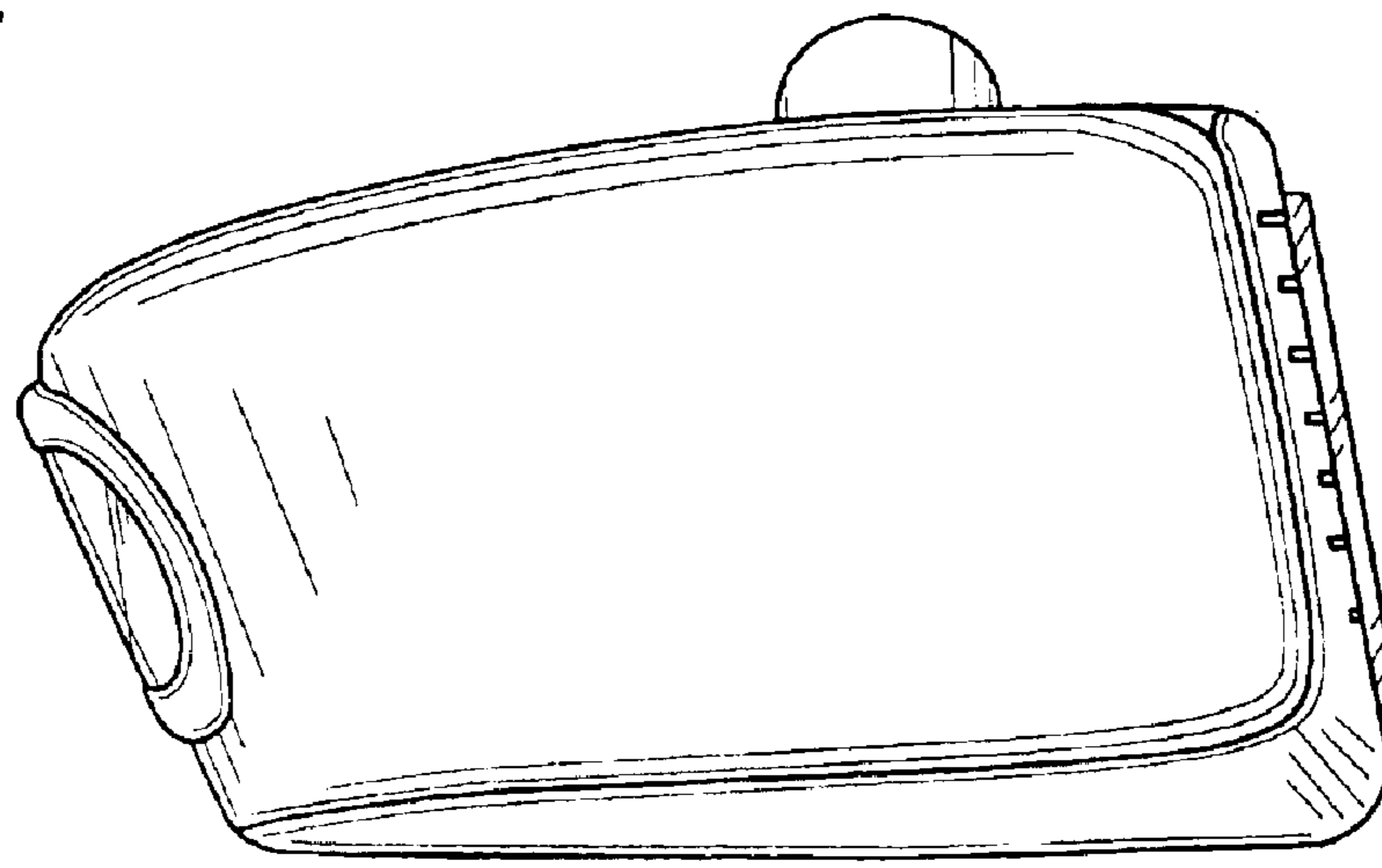


FIG.6

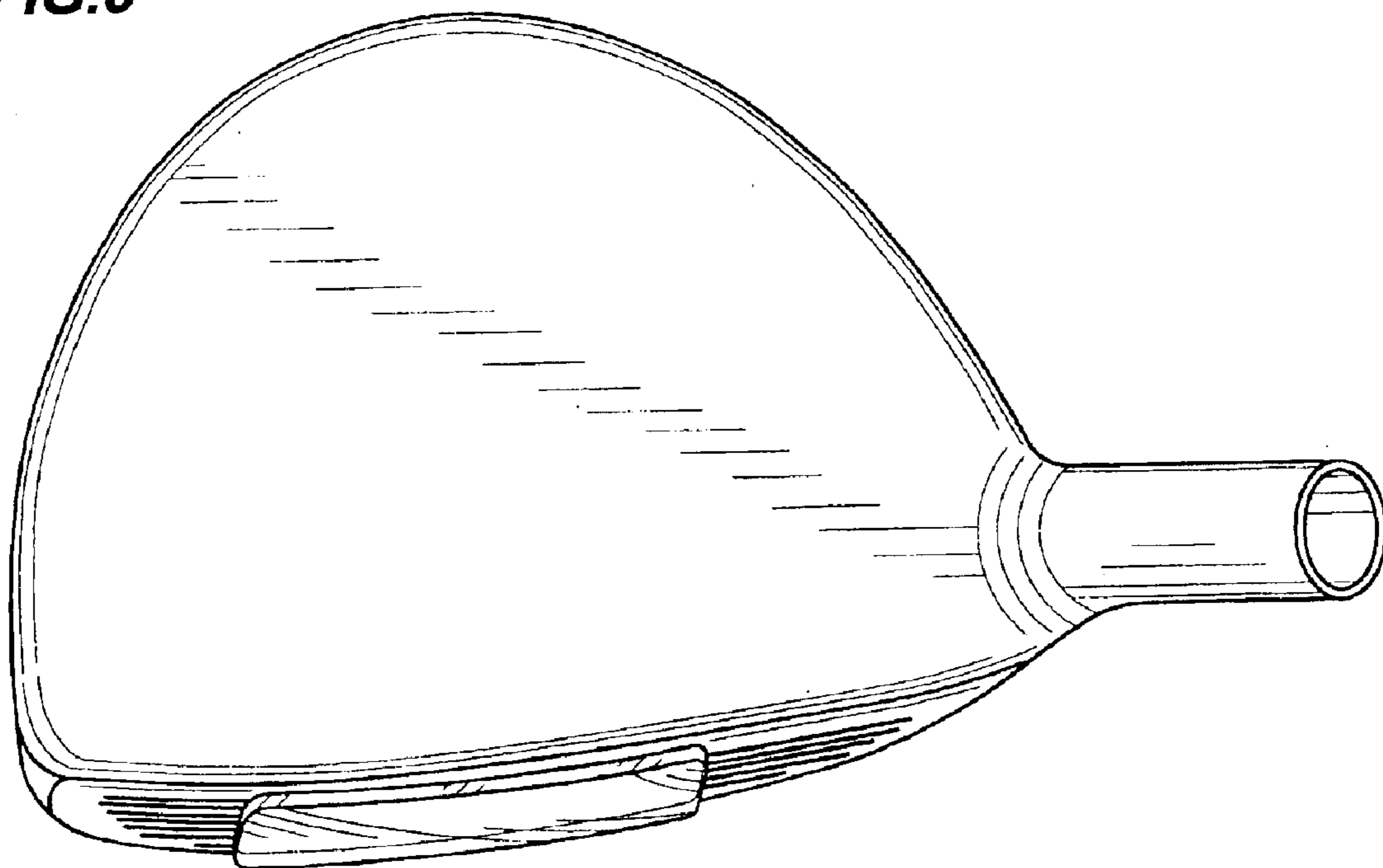


FIG.7

