

US00D503945S

(12) **United States Design Patent**  
**Kung**

(10) **Patent No.:** **US D503,945 S**

(45) **Date of Patent:** **\*\* Apr. 12, 2005**

(54) **MICROSCOPE**

(75) **Inventor:** **Su-Min Kung, Shi-Jr (TW)**

(73) **Assignee:** **Hunter Optical Co., Ltd., Shi-Jr (TW)**

(\*\*) **Term:** **14 Years**

(21) **Appl. No.:** **29/197,791**

(22) **Filed:** **Jan. 22, 2004**

(51) **LOC (7) Cl.** ..... **16-06**

(52) **U.S. Cl.** ..... **D16/131**

(58) **Field of Search** ..... **D16/130, 131;**  
**359/363, 382, 383, 384, 399, 419, 430,**  
**802, 804, 809, 810, 811, 816; D21/523**

(56) **References Cited**

**U.S. PATENT DOCUMENTS**

D151,206 S \* 10/1948 Armbruster et al. .... D16/131  
D294,037 S \* 2/1988 Yamada ..... D16/131

D301,498 S \* 6/1989 Nuttal et al. .... D21/523  
D407,423 S \* 3/1999 Pogue et al. .... D16/131  
D428,030 S \* 7/2000 Konno ..... D16/131

\* cited by examiner

*Primary Examiner*—Paula A. Greene

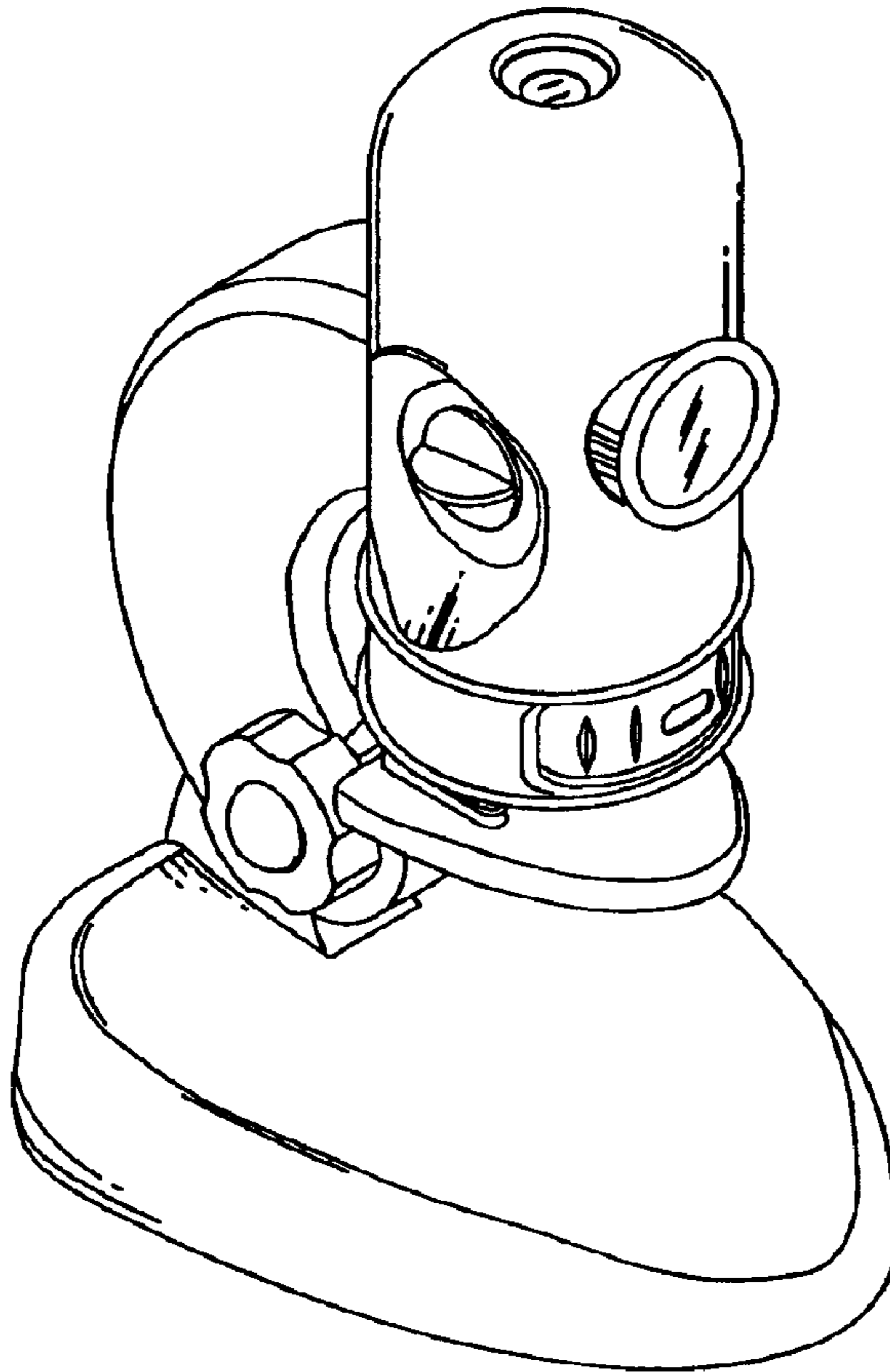
(57) **CLAIM**

The ornamental design for microscope, as shown and described.

**DESCRIPTION**

FIG. 1 is a perspective view thereof;  
FIG. 2 is a front view thereof;  
FIG. 3 is a back view thereof;  
FIG. 4 is a left side view thereof;  
FIG. 5 is a right side view thereof;  
FIG. 6 is a top view thereof; and,  
FIG. 7 is a bottom view thereof.

**1 Claim, 7 Drawing Sheets**



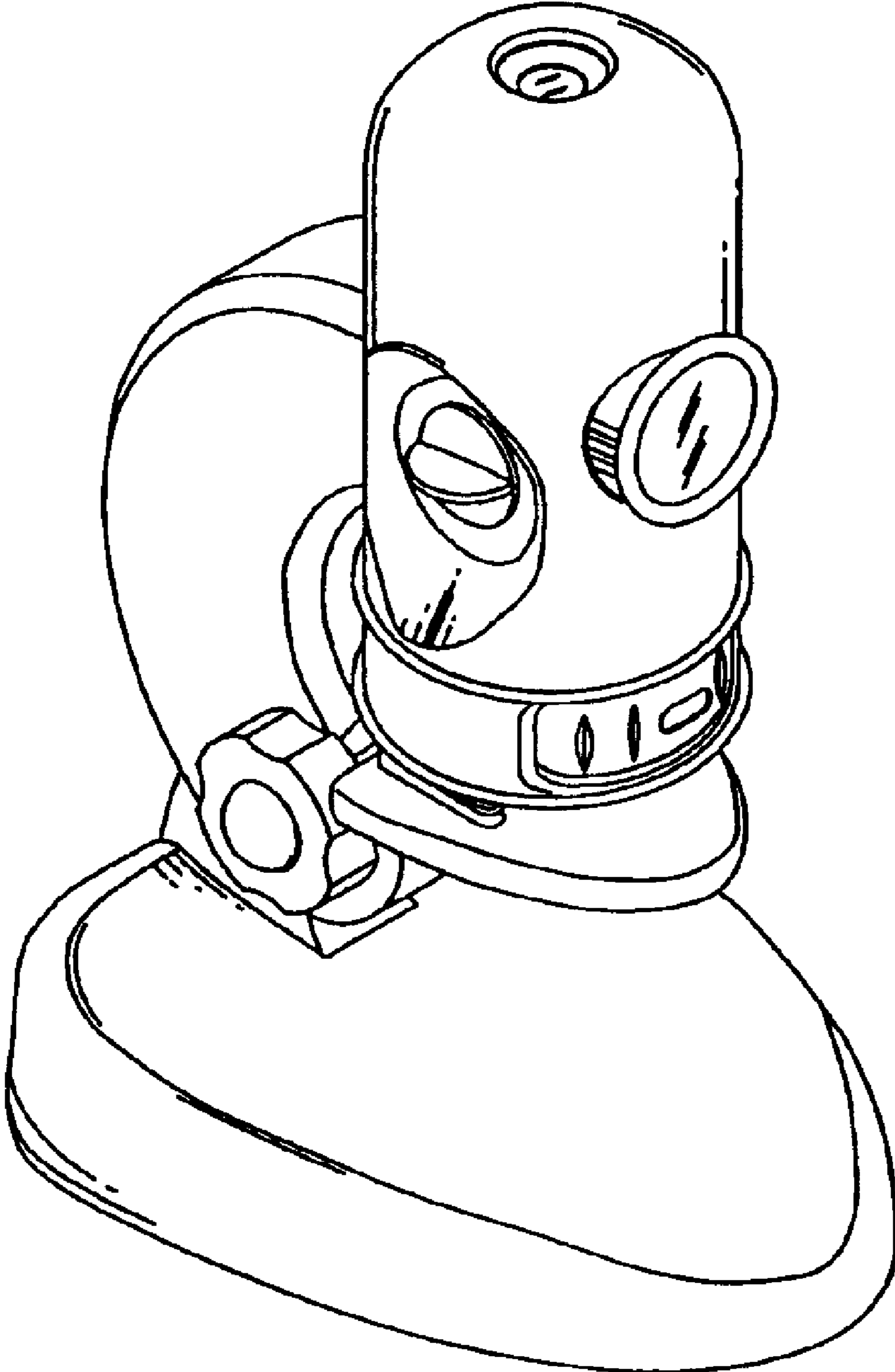


FIG.1

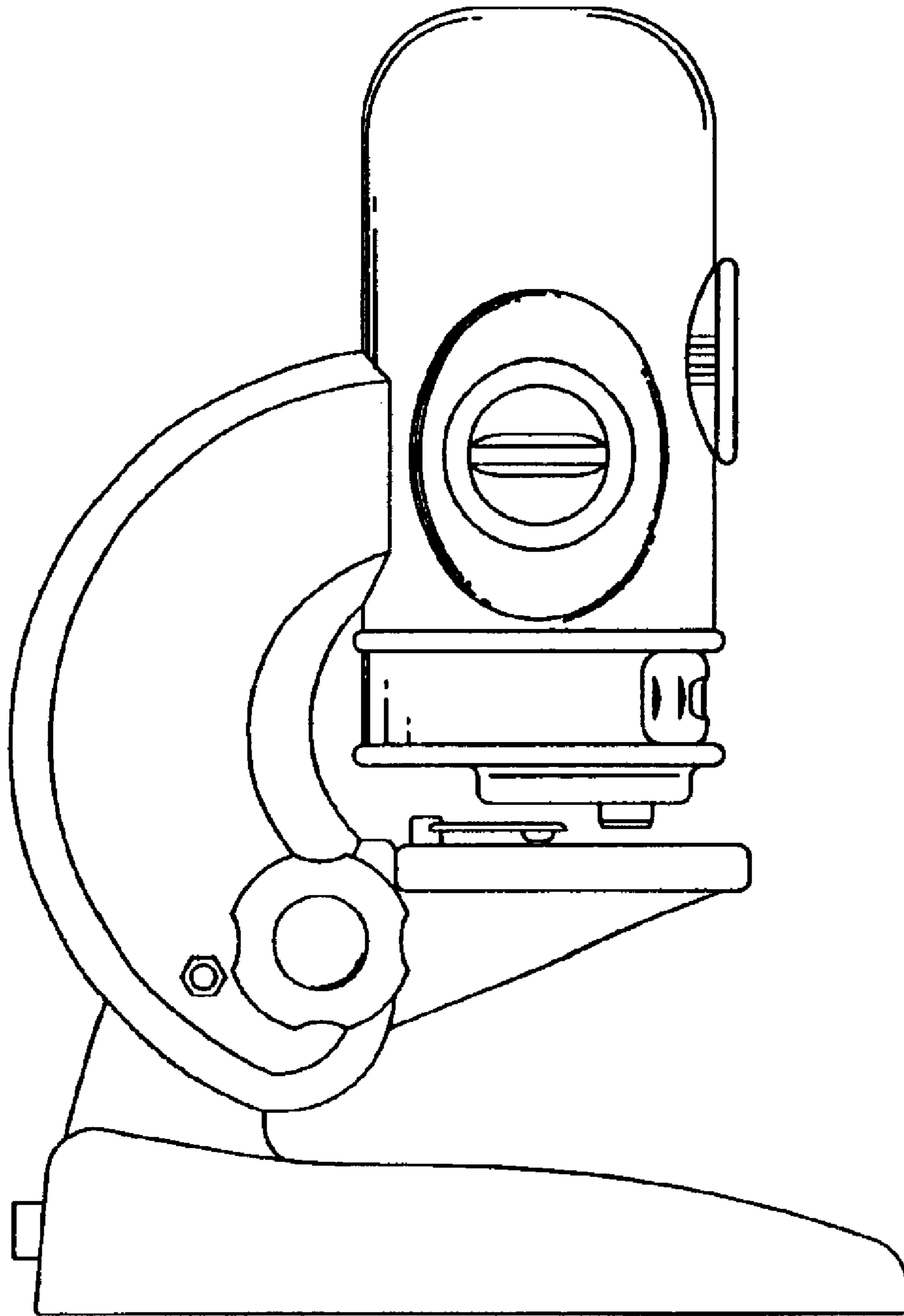


FIG.2

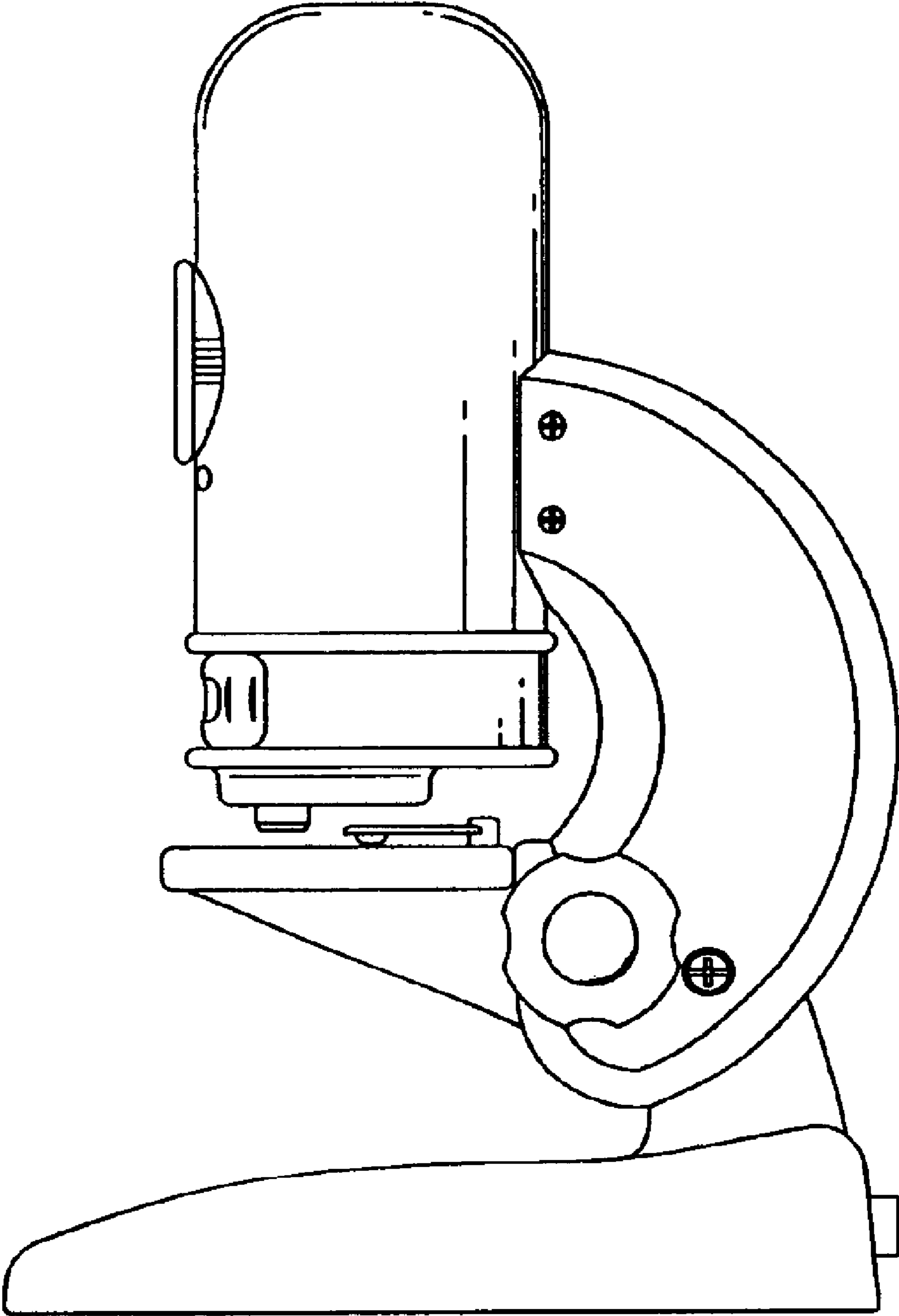


FIG.3

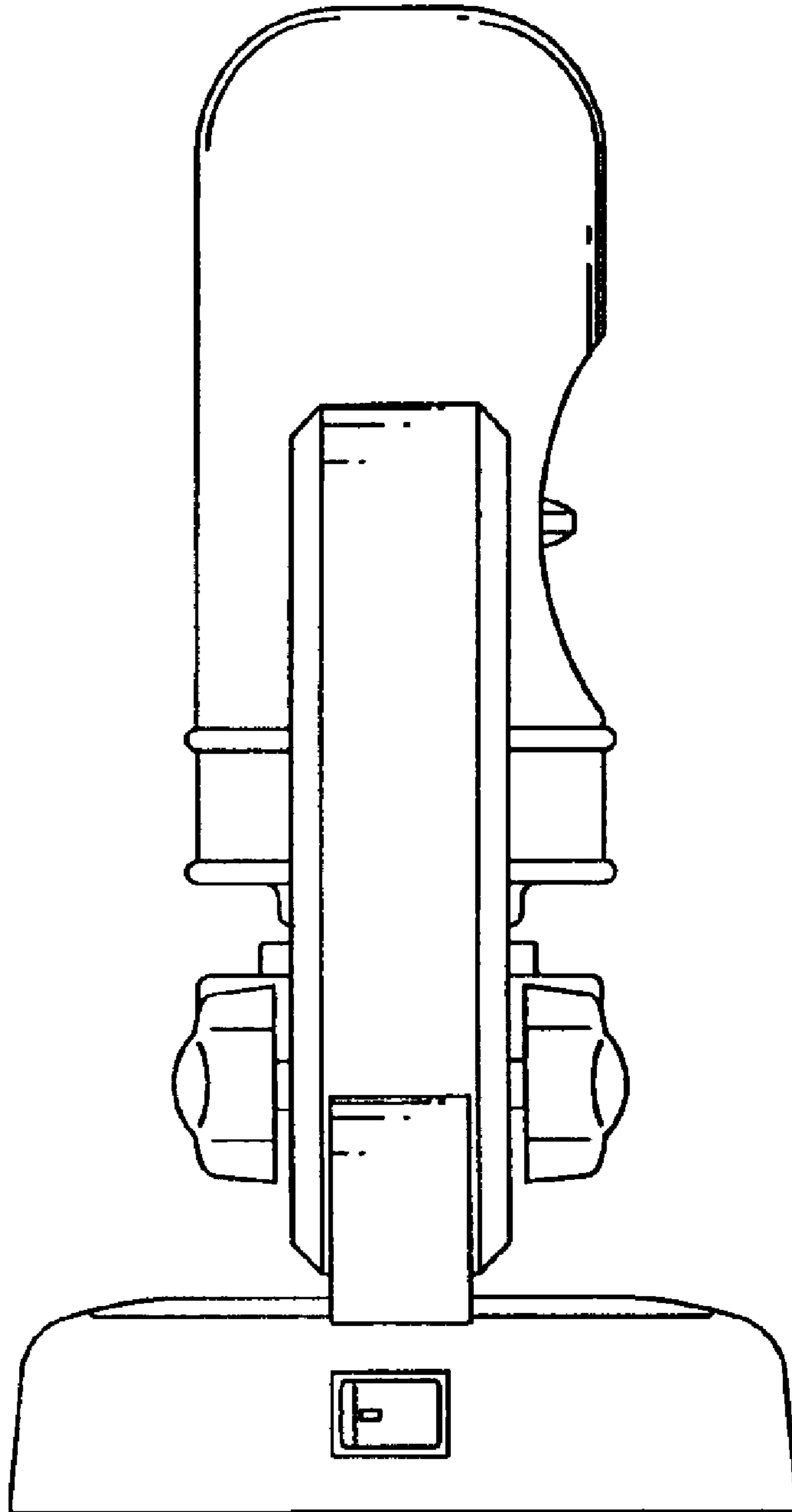


FIG.4

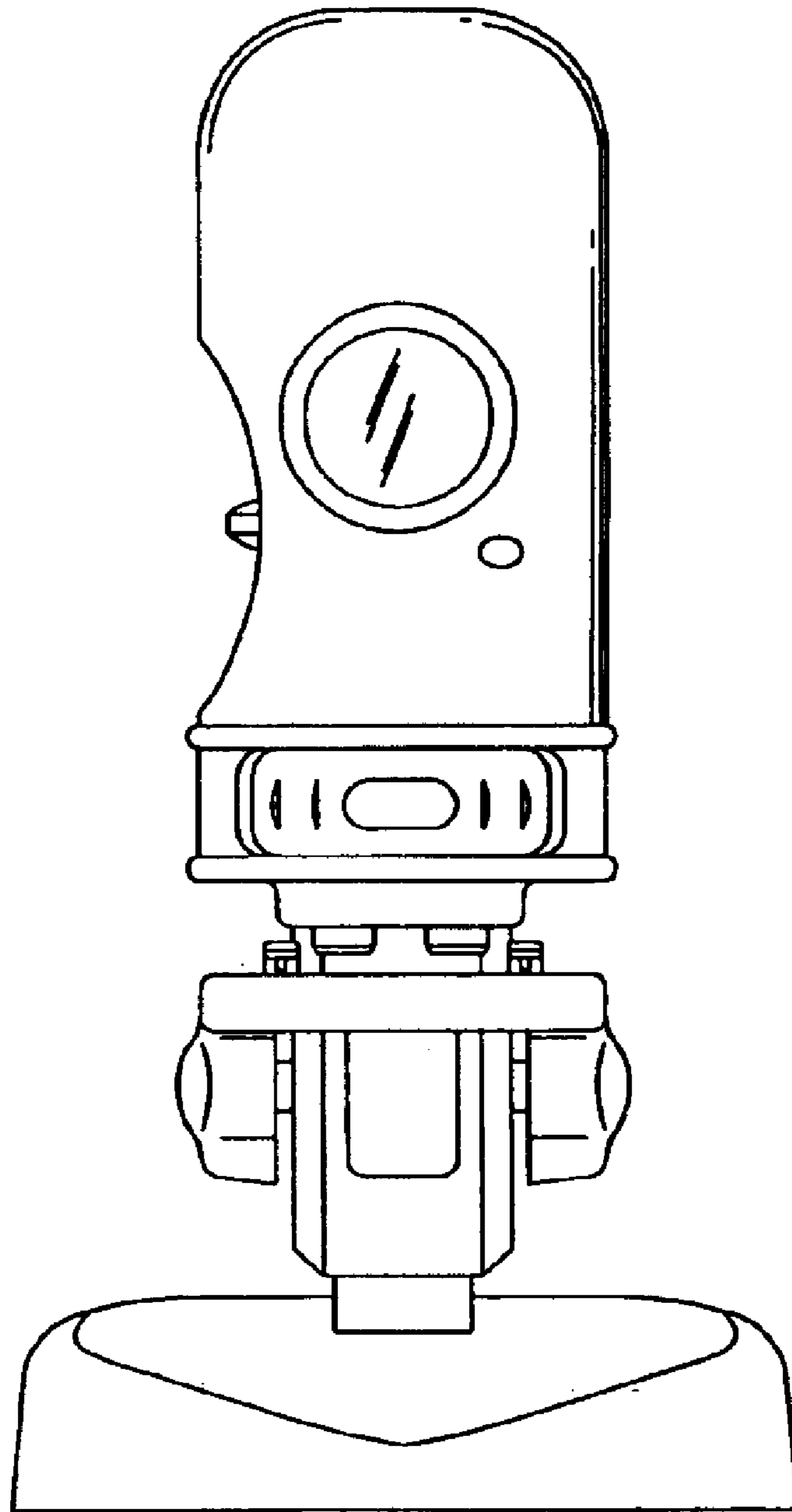


FIG.5

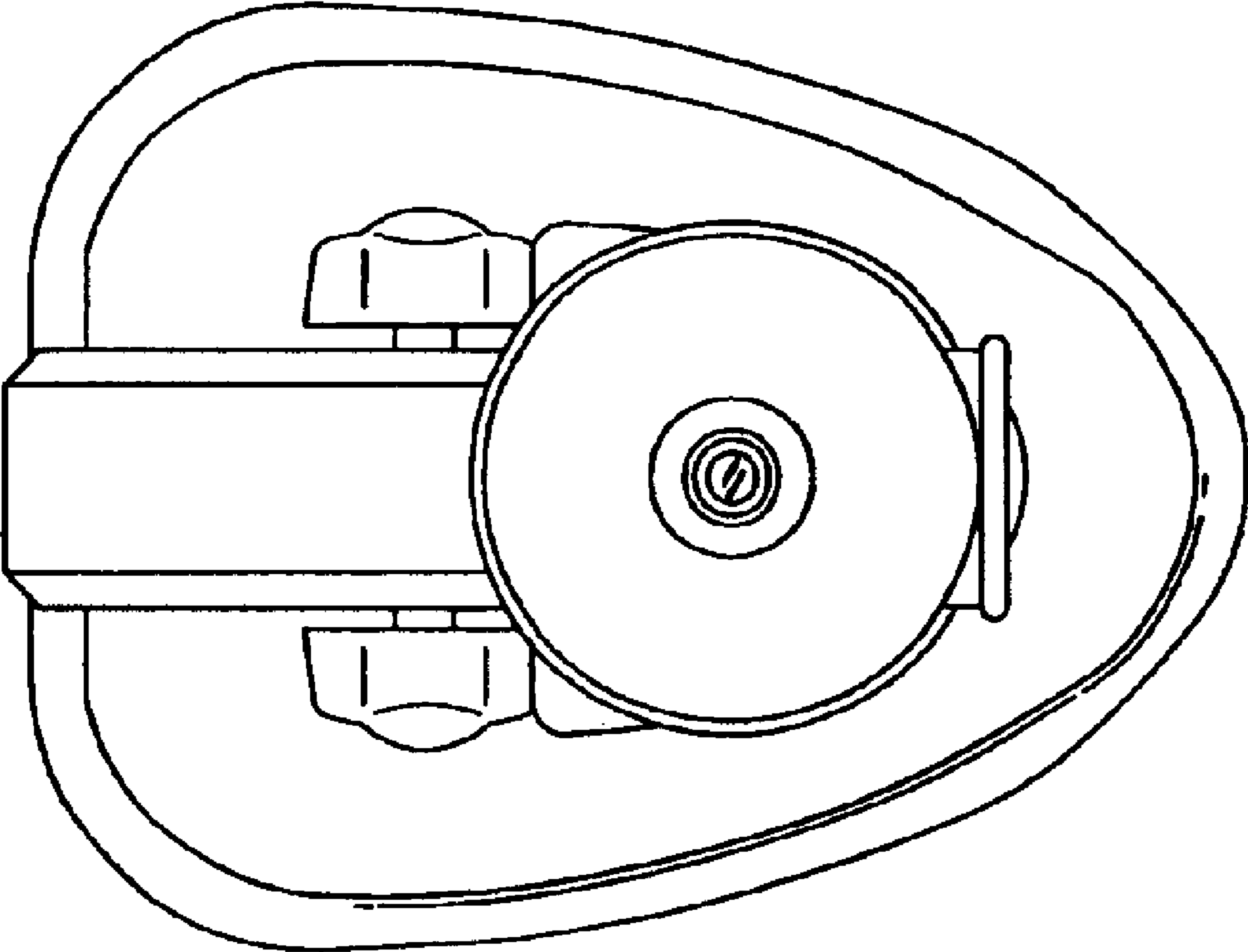


FIG.6

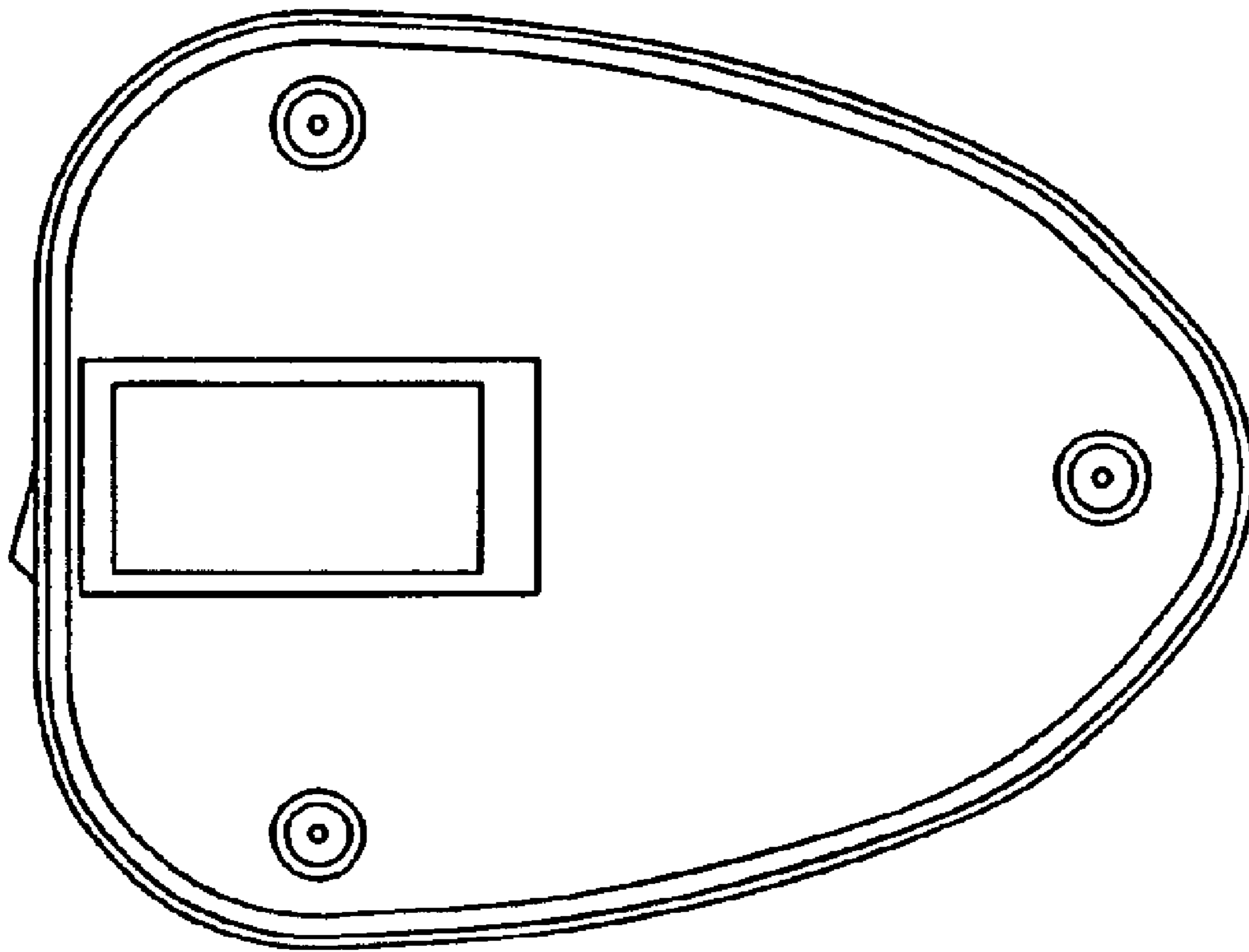


FIG.7



UNITED STATES PATENT AND TRADEMARK OFFICE  
**CERTIFICATE OF CORRECTION**

PATENT NO. : Des. 503,945 S  
APPLICATION NO. : 29/197791  
DATED : April 12, 2005  
INVENTOR(S) : Su-Min Kung

Page 1 of 1

It is certified that error appears in the above-identified patent and that said Letters Patent is hereby corrected as shown below:

On the Title Page (75), "Inventor: Su-Min Kung, Shi-Jr (TW)" should read -- "Inventor: Su-Min Kung, Hsi Chih (TW)" --

On the Title Page (73), "Assignee: Hunter Optical Co., Ltd., Taipei (TW)" should read -- "Assignee: Hunter Optical Co., Ltd., Hsi Chih (TW)" --

Signed and Sealed this

Twenty Second Day of April, 2008

A handwritten signature in black ink that reads "Jon W. Dudas". The signature is written in a cursive style with a large, looped initial "J".

JON W. DUDAS

*Director of the United States Patent and Trademark Office*