

US00D503944S

(12) **United States Design Patent**  
**Adachi et al.**

(10) **Patent No.:** **US D503,944 S**

(45) **Date of Patent:** **\*\* Apr. 12, 2005**

(54) **VIDEO MAGNIFIER**

(75) Inventors: **Tomoyuki Adachi**, Konan (JP); **Tetsuro Kato**, Nagoya (JP)

(73) Assignee: **Elmo Co., Ltd.**, Aichi (JP)

(\*\*) Term: **14 Years**

(21) Appl. No.: **29/194,822**

(22) Filed: **Dec. 2, 2003**

(30) **Foreign Application Priority Data**

Jun. 17, 2003 (JP) ..... 2003-017066

(51) **LOC (7) Cl.** ..... **16-99**

(52) **U.S. Cl.** ..... **D16/130; D16/225**

(58) **Field of Search** ..... D16/200, 204,  
D16/208, 232, 221-225, 130, 135; D24/158,  
160; D10/46, 75; 359/363, 390, 392, 368,  
369; 399/140, 144; D14/423

(56) **References Cited**

**U.S. PATENT DOCUMENTS**

D204,964 S \* 5/1966 Wally, Jr. .... D16/225

D241,042 S \* 8/1976 Kuplec ..... D10/46  
4,206,966 A \* 6/1980 Tyson et al. .... 359/363  
4,786,945 A \* 11/1988 Sambayashi et al. .... 399/144  
5,566,020 A \* 10/1996 Bradford et al. .... 359/390  
D387,080 S \* 12/1997 Miyazawa ..... D16/225

\* cited by examiner

*Primary Examiner*—Paula A. Greene

(74) *Attorney, Agent, or Firm*—Koda & Androlia

(57) **CLAIM**

The ornamental design for a video magnifier, as shown and described.

**DESCRIPTION**

FIG. 1 is a front elevational view of the video magnifier showing our new design;  
FIG. 2 is a rear elevational view thereof;  
FIG. 3 is a top plan view thereof;  
FIG. 4 is a bottom plan view thereof;  
FIG. 5 is a right side elevational view thereof;  
FIG. 6 is a left side elevational view thereof; and,  
FIG. 7 is a perspective view taken from the front, top and right side of the video magnifier.

**1 Claim, 7 Drawing Sheets**

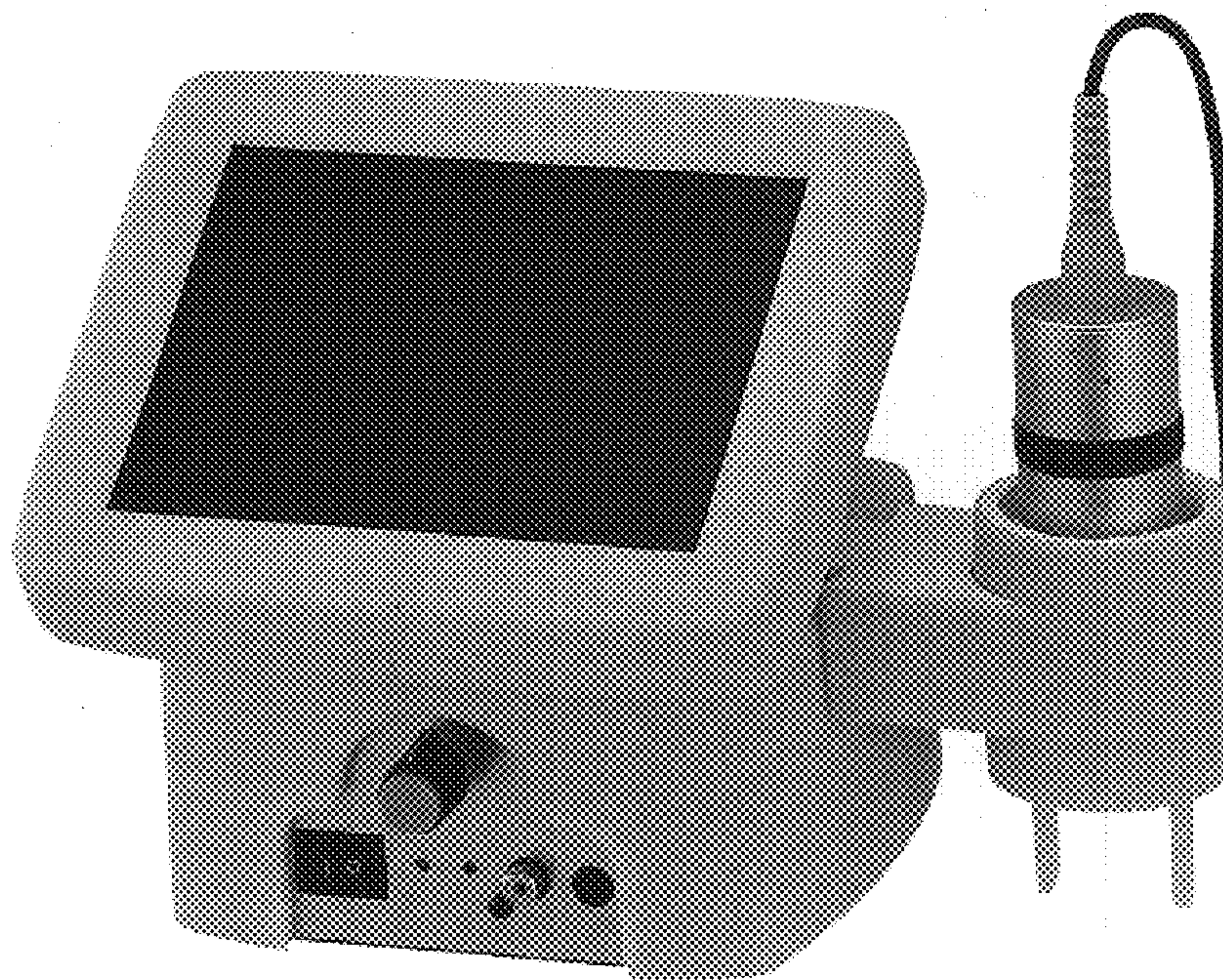




Fig. 1

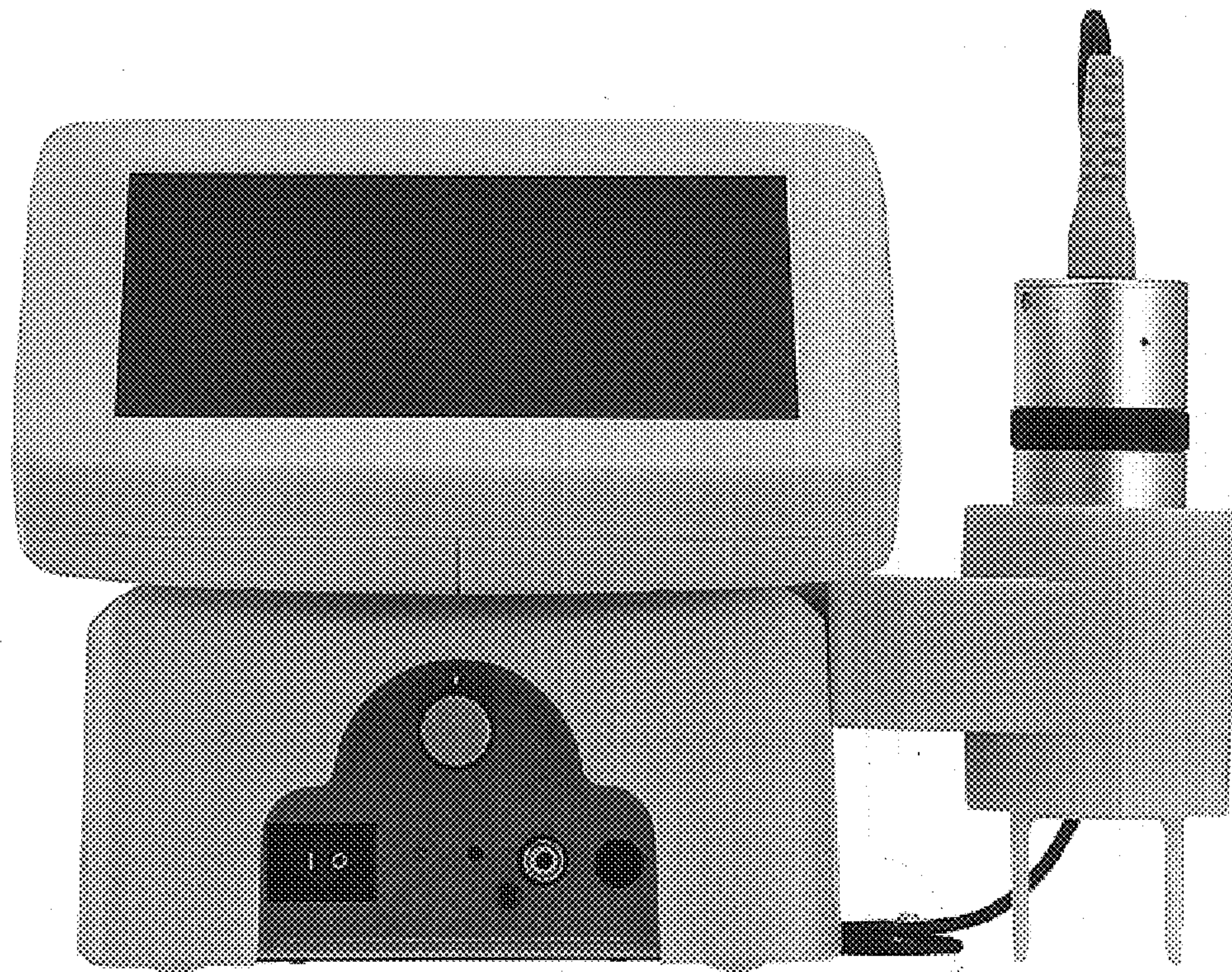




Fig.2

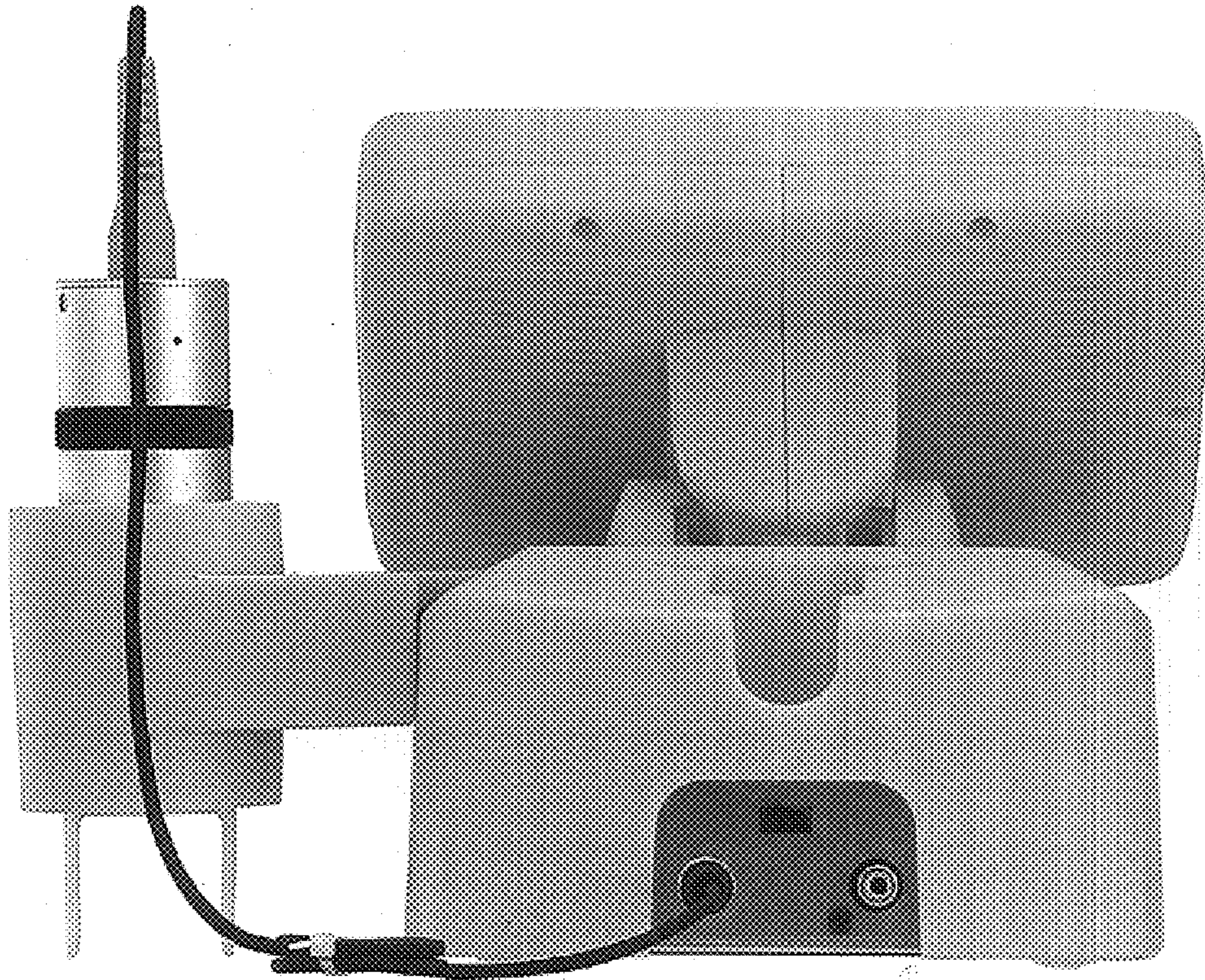




Fig.3

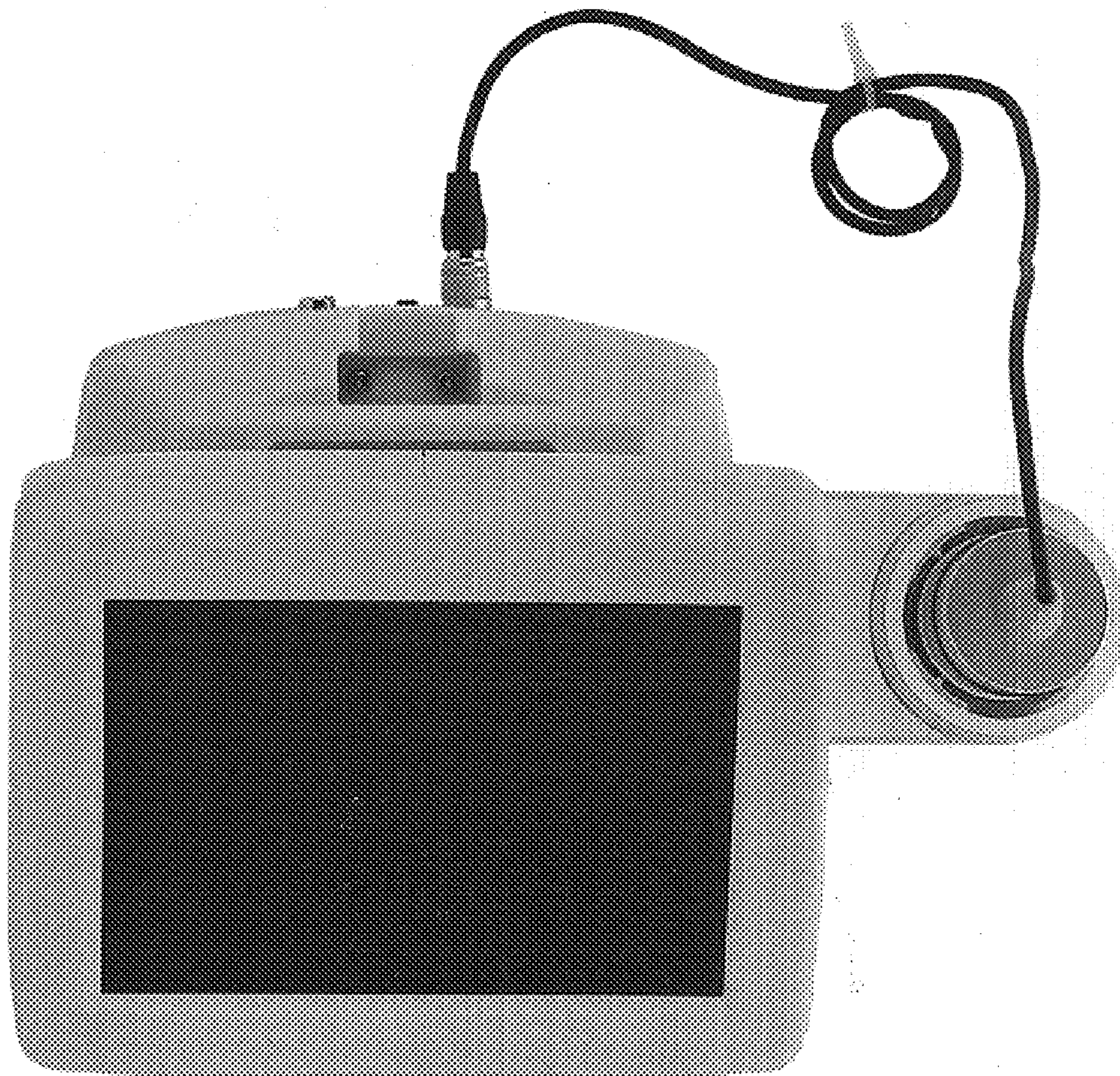




Fig. 4





Fig. 5

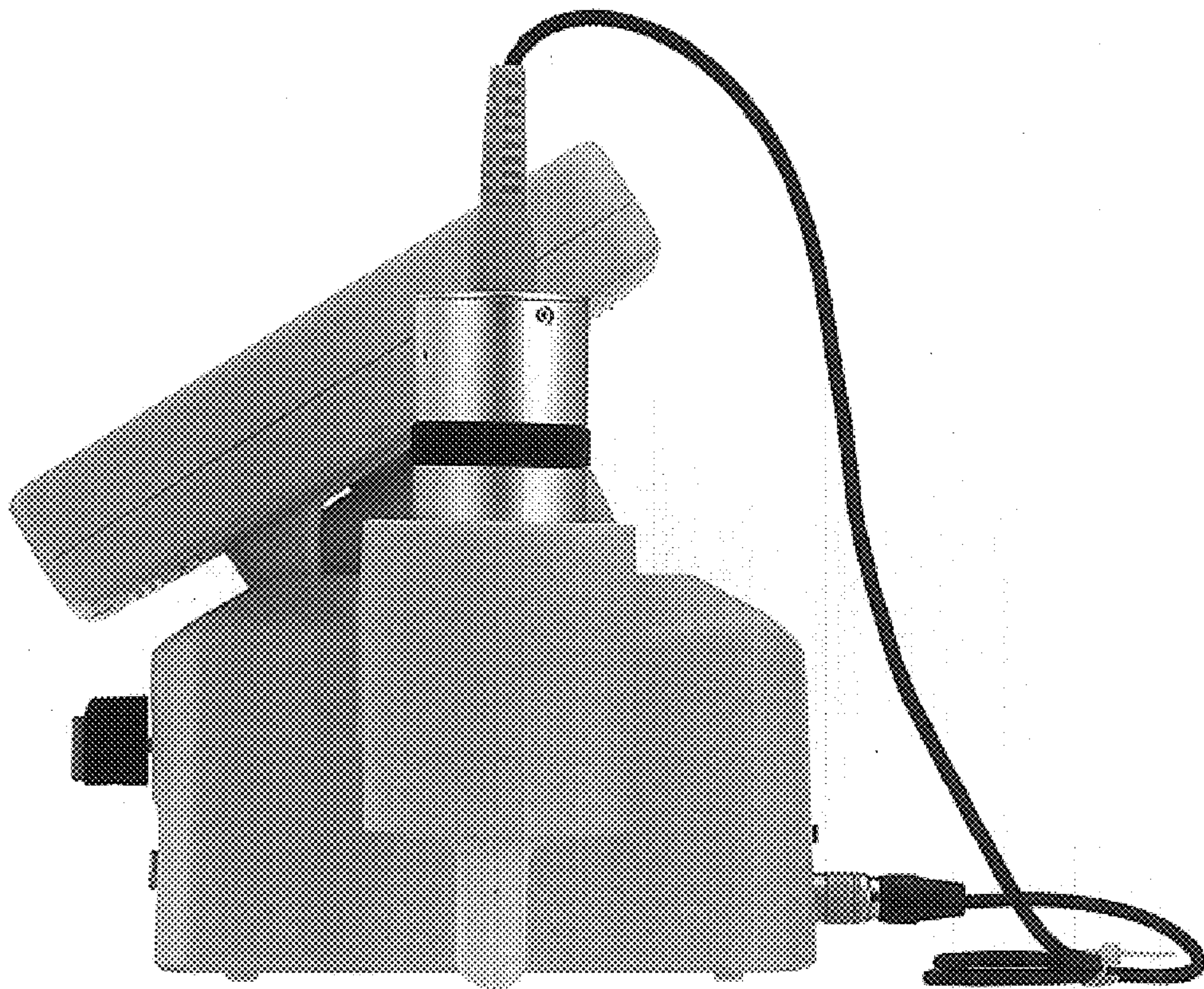


Fig. 6

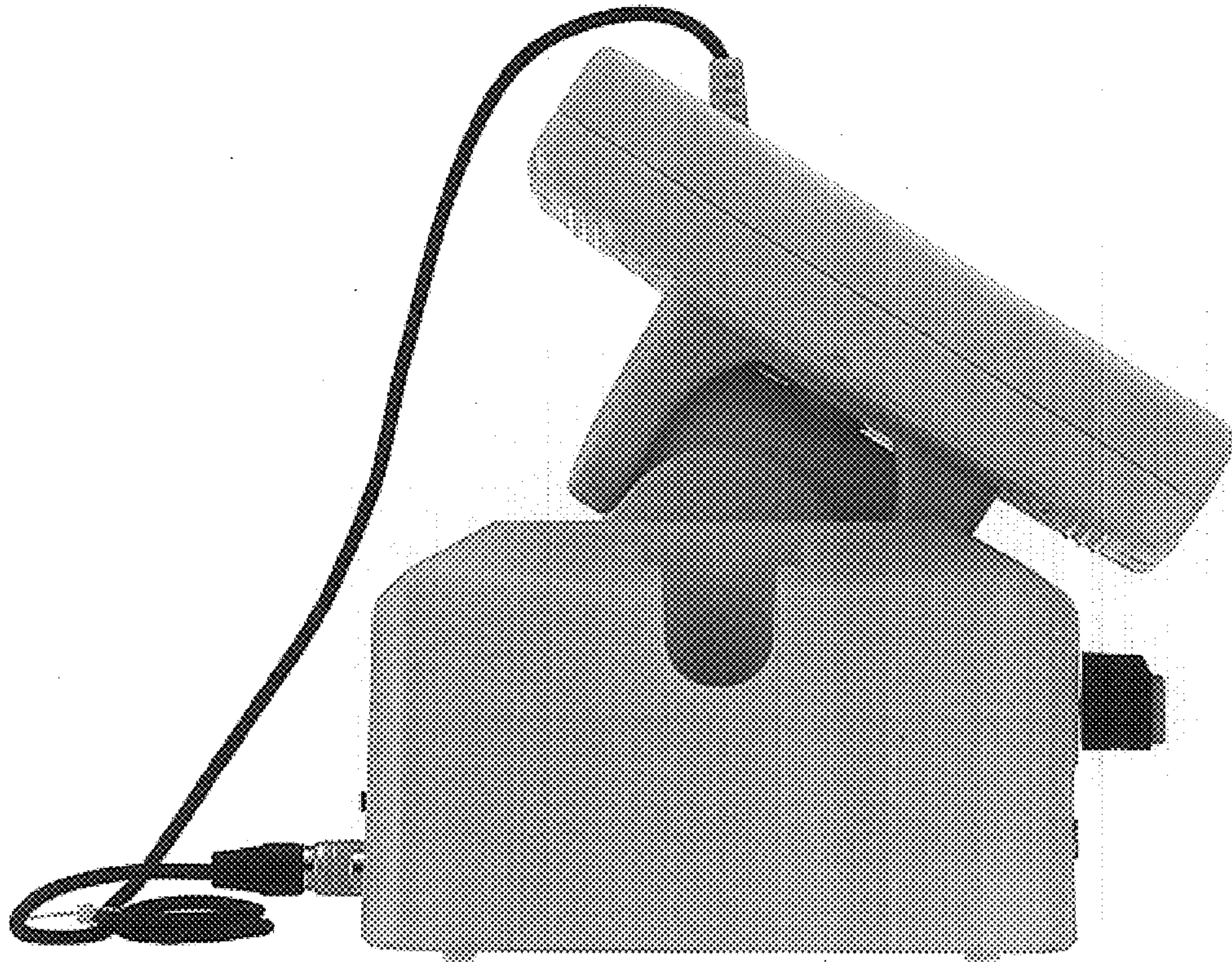




Fig.7

