



US00D503943S

(12) **United States Design Patent**
Kawaguchi

(10) **Patent No.:** **US D503,943 S**
(45) **Date of Patent:** **** Apr. 12, 2005**

(54) **ROBOT**
(75) **Inventor:** **Kiyomi Kawaguchi**, Tokyo (JP)
(73) **Assignee:** **Janome Sewing Machine Company Limited**, Tokyo (JP)
(**) **Term:** **14 Years**

4,859,139 A * 8/1989 Torii et al. 414/744.5
4,951,517 A * 8/1990 Azuma et al. 414/744.5
D343,630 S * 1/1994 Tomiyama et al. D15/199
5,375,480 A * 12/1994 Nihei et al. 74/490.02
5,829,307 A * 11/1998 Harima et al. 74/490.02
D484,154 S * 12/2003 Treadwell et al. D15/199

* cited by examiner

(21) **Appl. No.:** **29/195,796**
(22) **Filed:** **Dec. 18, 2003**

Primary Examiner—Antoine D. Davis
(74) *Attorney, Agent, or Firm*—Jacobson Holman PLLC

(30) **Foreign Application Priority Data**

Jul. 4, 2003 (JP) 2003-019367

(57) **CLAIM**

The ornamental design for a robot, as shown and described.

(51) **LOC (7) Cl.** **15-99**
(52) **U.S. Cl.** **D15/199**
(58) **Field of Search** D15/199; 74/490.02,
74/490.03, 469, 490.01; 414/744.5, 719,
918; 901/23, 27, 48, 50

DESCRIPTION

FIG. 1 is a front perspective view showing my new design for a robot,
FIG. 2 is a top view thereof;
FIG. 3 is a bottom view thereof;
FIG. 4 is a front view thereof;
FIG. 5 is a rear view thereof;
FIG. 6 is a left side view thereof; and,
FIG. 7 is a right side view thereof.

(56) **References Cited**
U.S. PATENT DOCUMENTS

D293,324 S * 12/1987 Gotou et al. D15/199

1 Claim, 6 Drawing Sheets

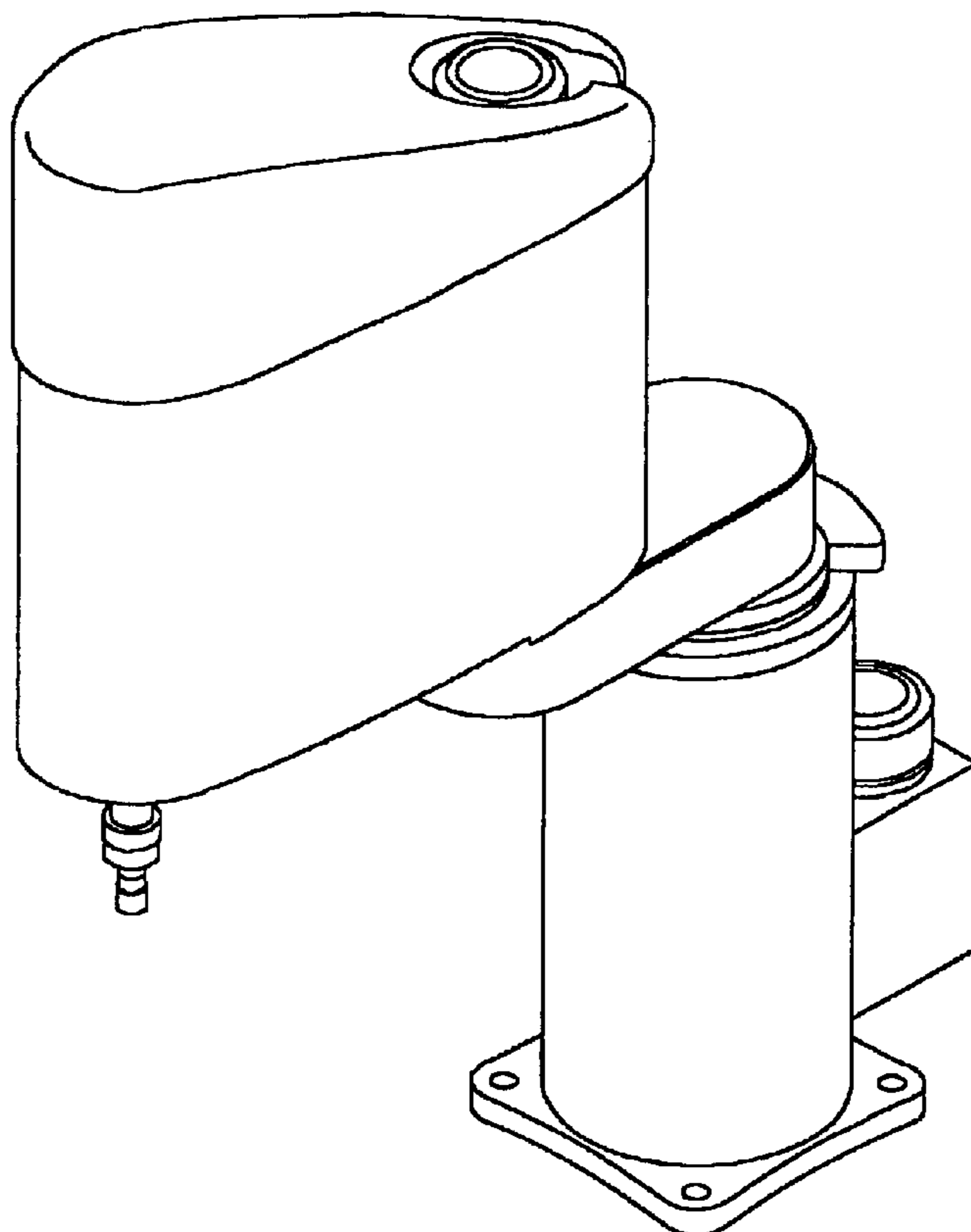


FIG. 1

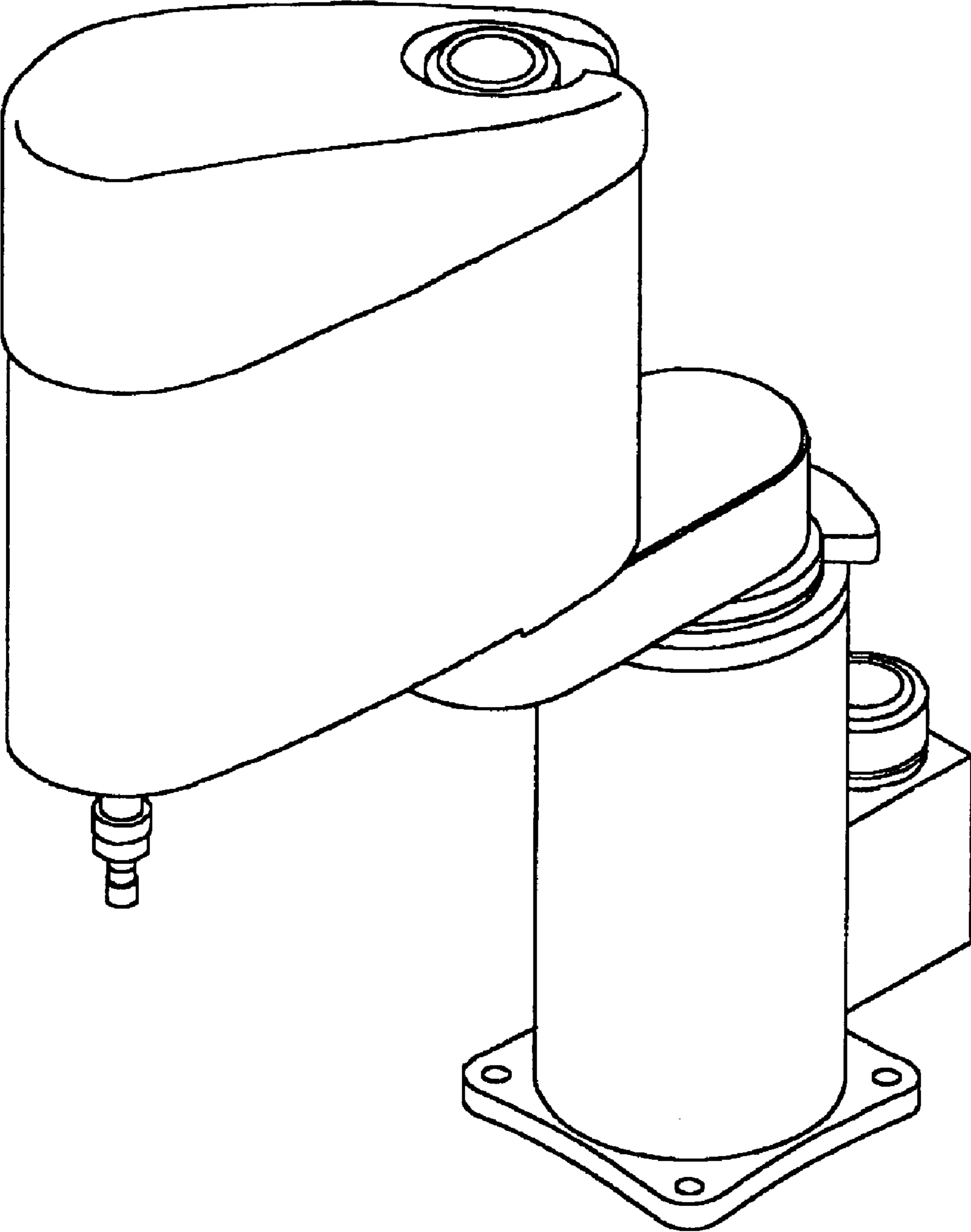


FIG. 2

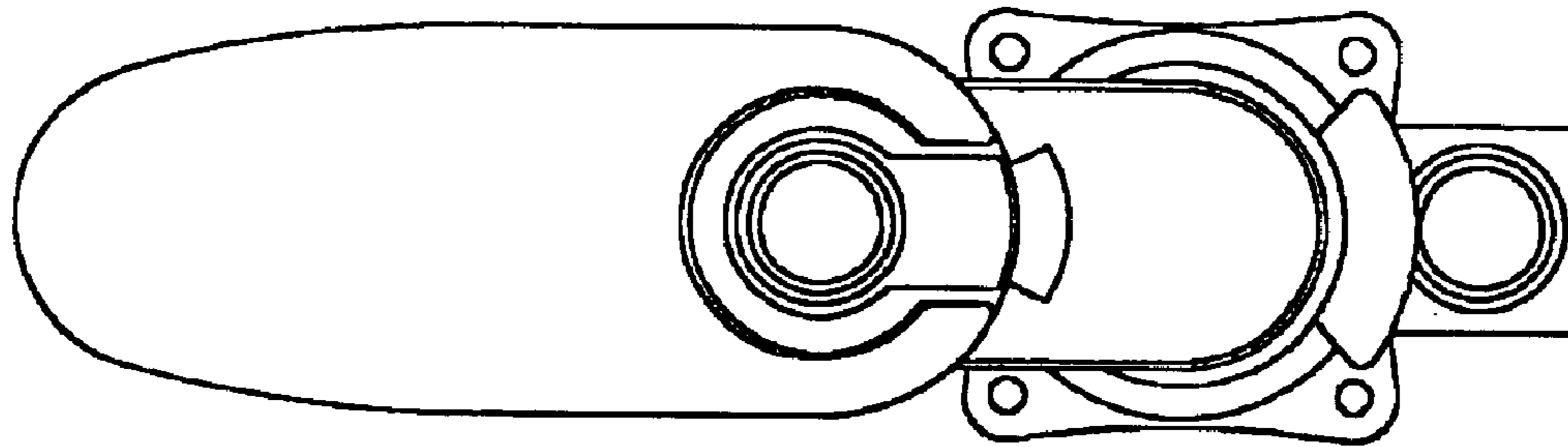


FIG. 3

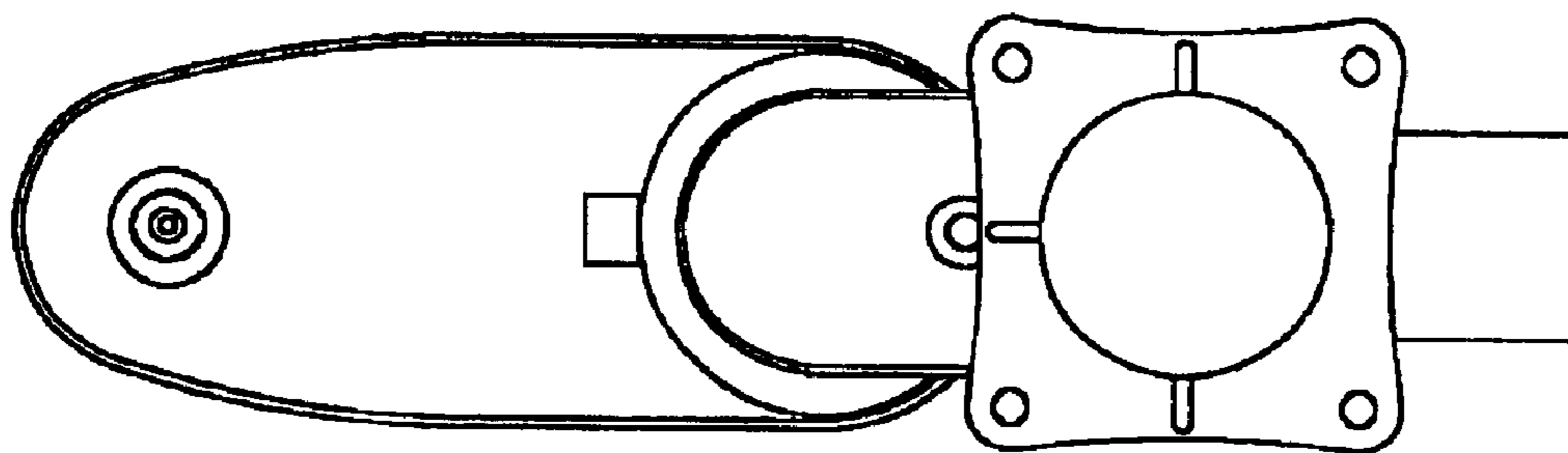


FIG. 4

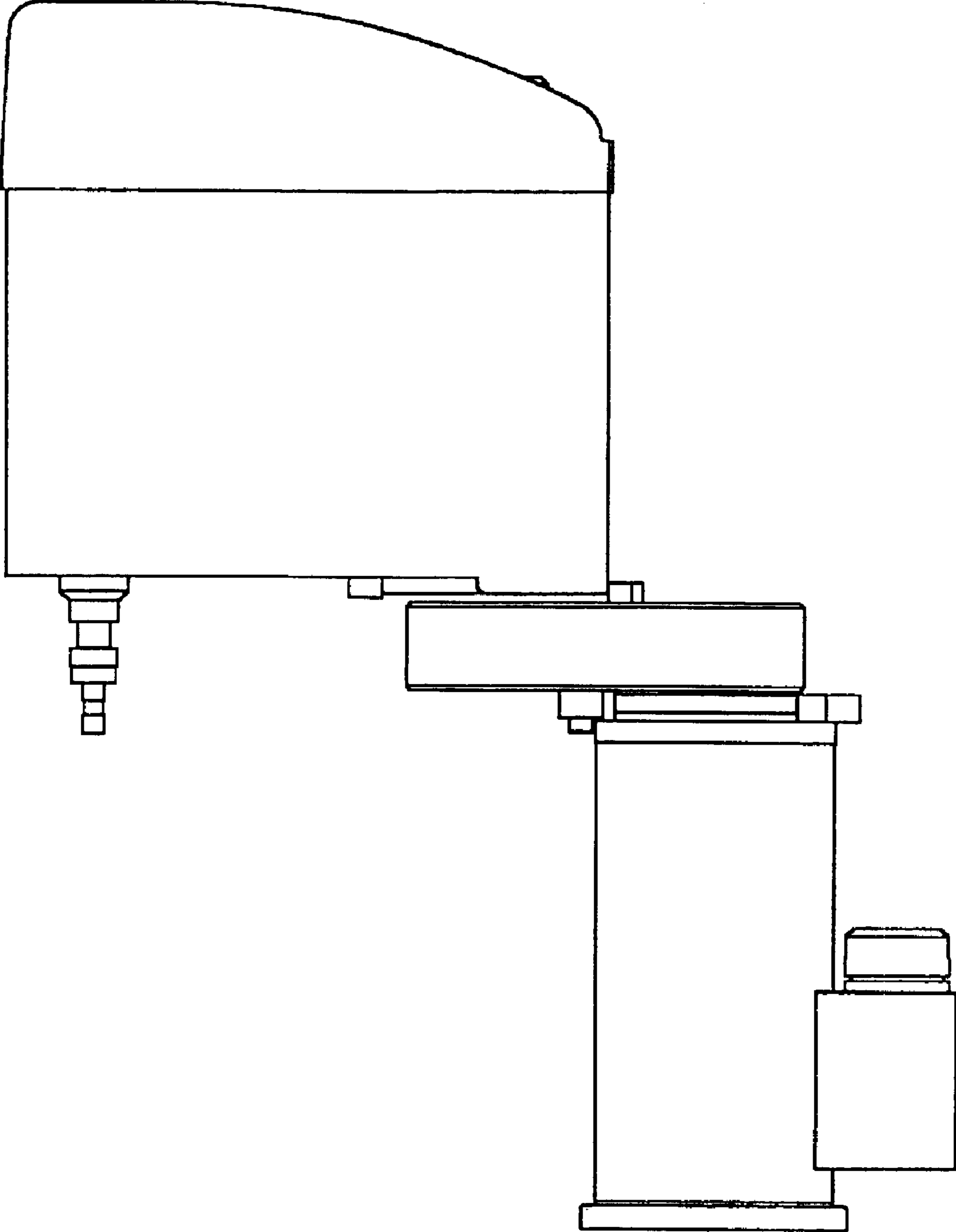


FIG. 5

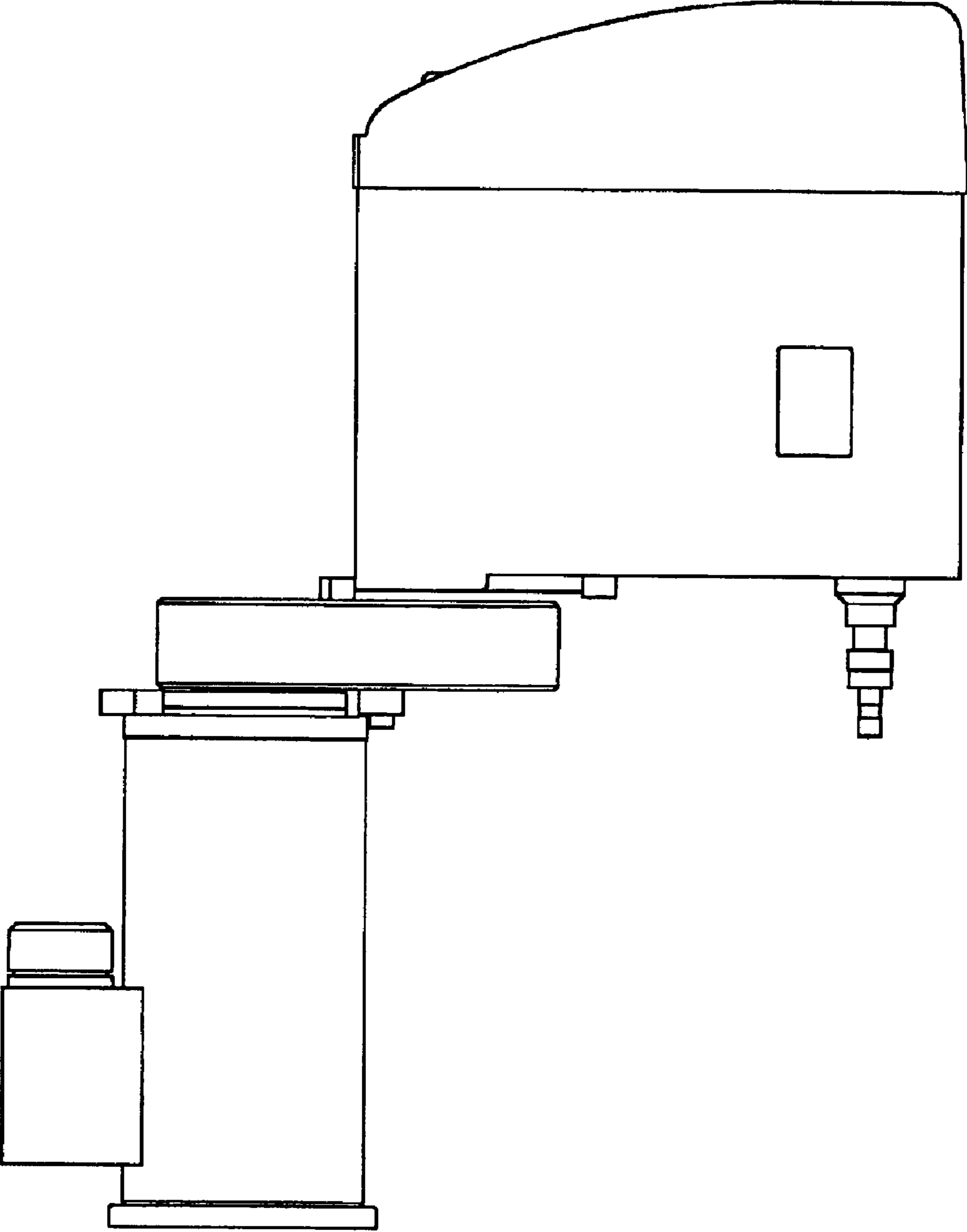


FIG. 6

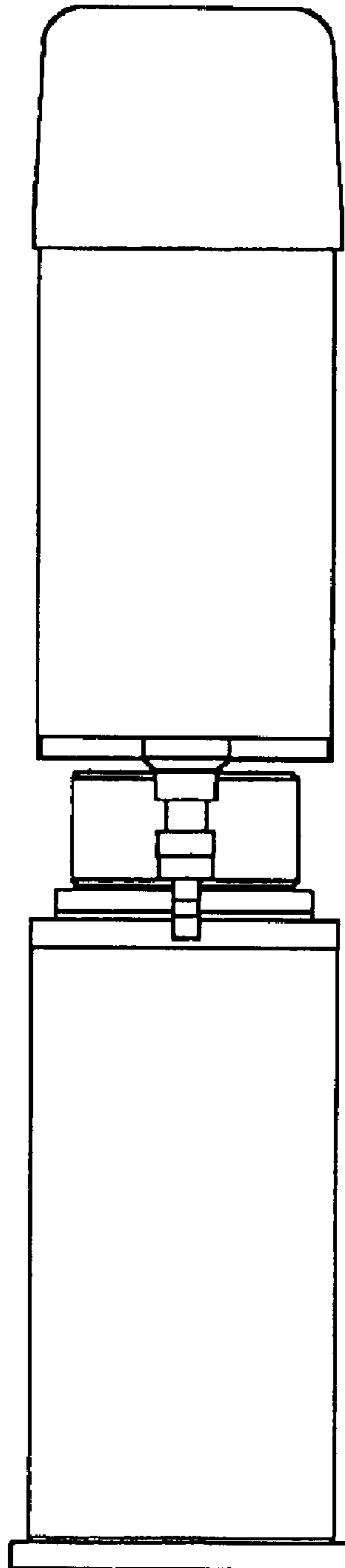


FIG. 7

