

US00D503941S

(12) **United States Design Patent**
Andersen et al.

(10) **Patent No.:** **US D503,941 S**

(45) **Date of Patent:** **** Apr. 12, 2005**

(54) **MILL ATTACHMENT EXTENSION**

6,775,897 B2 * 8/2004 Wolf et al. 29/464

(76) Inventors: **James H. Andersen**, 1519 Ticonderoga Dr., Fort Collins, CO (US) 80525;
Charles W. Uber, 2219 Suffolk St., Fort Collins, CO (US) 80526

* cited by examiner

Primary Examiner—Antoine D. Davis

(74) *Attorney, Agent, or Firm*—Ancel W. Lewis, Jr.

(**) Term: **14 Years**

(57) **CLAIM**

The ornamental design for a mill attachment extension, as shown and described.

(21) Appl. No.: **29/196,831**

(22) Filed: **Jan. 7, 2004**

DESCRIPTION

(51) **LOC (7) Cl.** **15-09**

(52) **U.S. Cl.** **D15/131; D15/140; D15/141**

(58) **Field of Search** D15/131, 140, D15/141; 29/464, 281, 281.1, 466, 468; 248/274.1, 278.1, 280.11, 282.1, 919

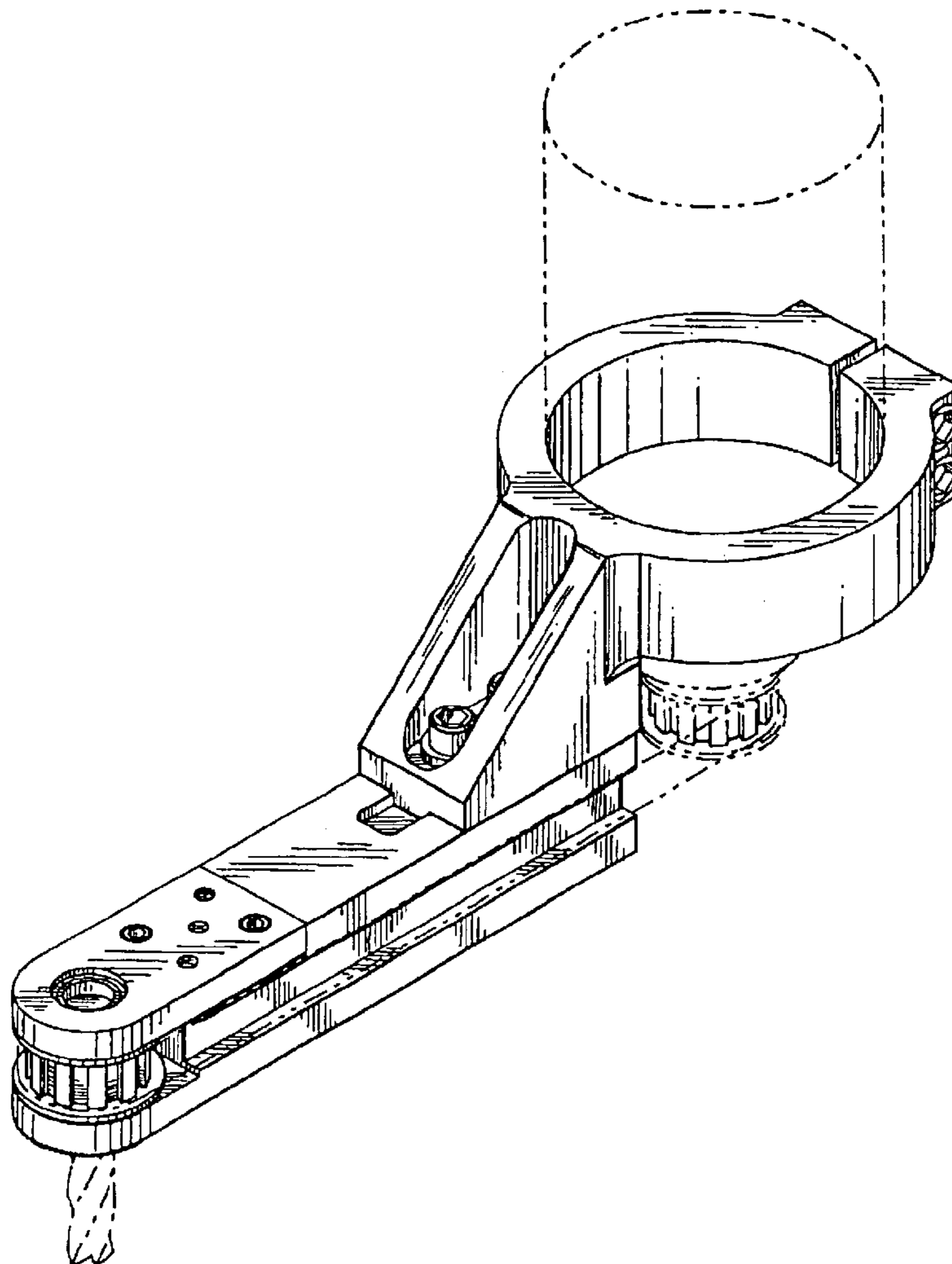
FIG. 1 is a front perspective view of a mill attachment extension, the broken line disclosure being for illustrating purposes only and forming no part of the claimed design; FIG. 2 is a top plan view thereof; FIG. 3 is a bottom plan view thereof; FIG. 4 is a front elevation view thereof; FIG. 5 is a rear elevation view thereof; FIG. 6 is a right side elevation view thereof; and, FIG. 7 is a left side elevation view thereof.

(56) **References Cited**

U.S. PATENT DOCUMENTS

4,718,292 A * 1/1988 Darmon 74/103
6,609,691 B2 * 8/2003 Oddsen, Jr. 248/278.1

1 Claim, 4 Drawing Sheets



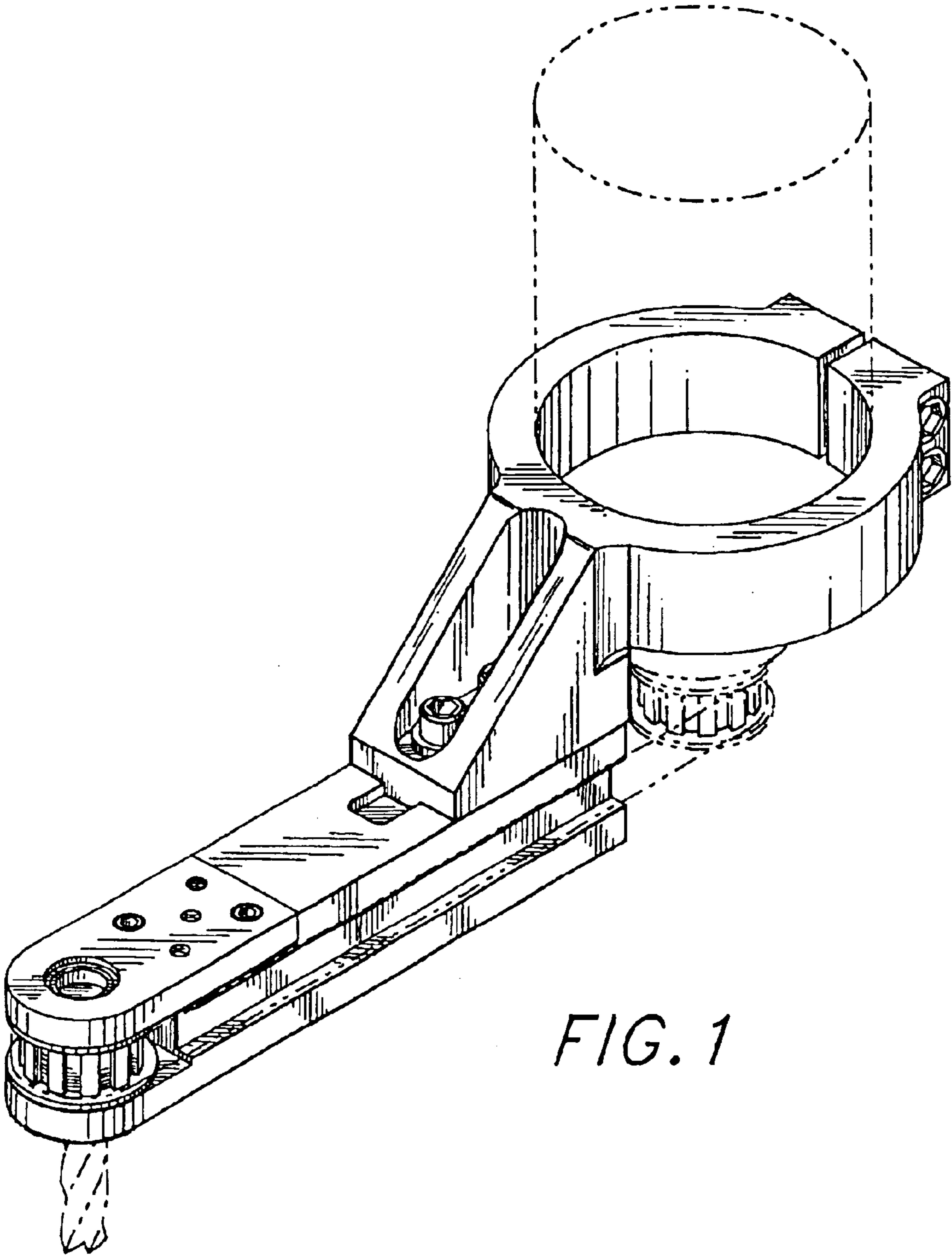


FIG. 1

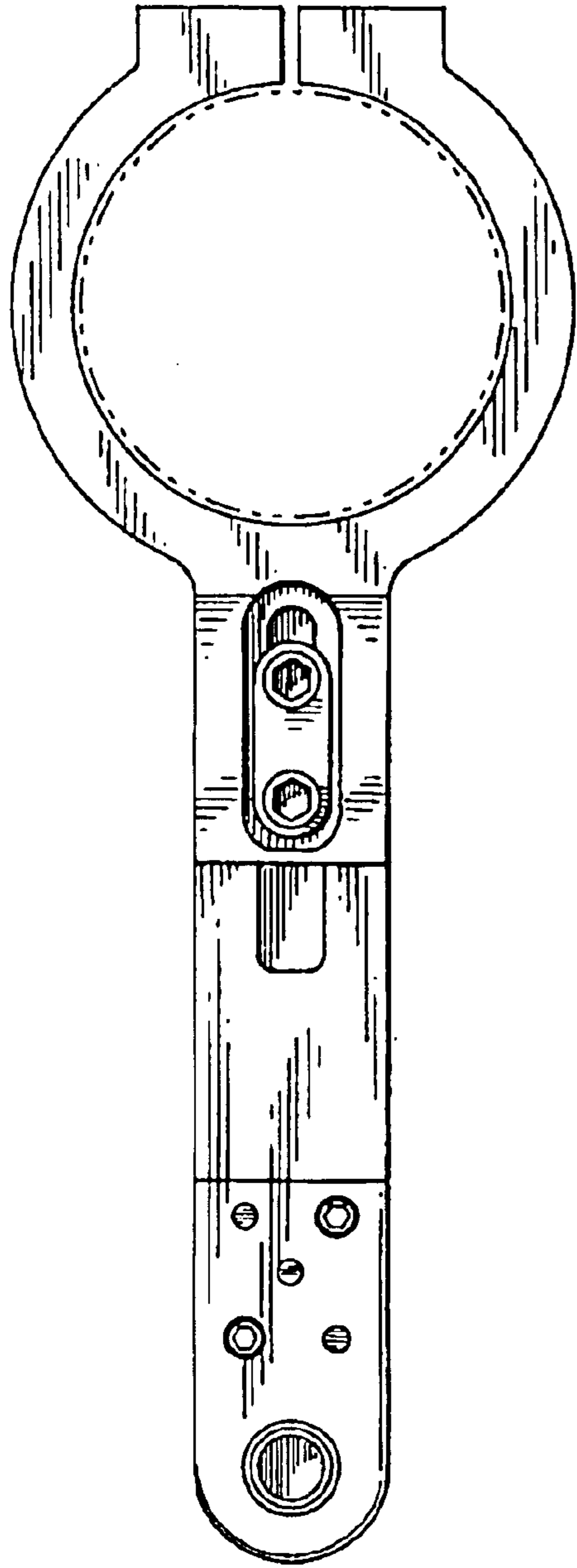


FIG. 2

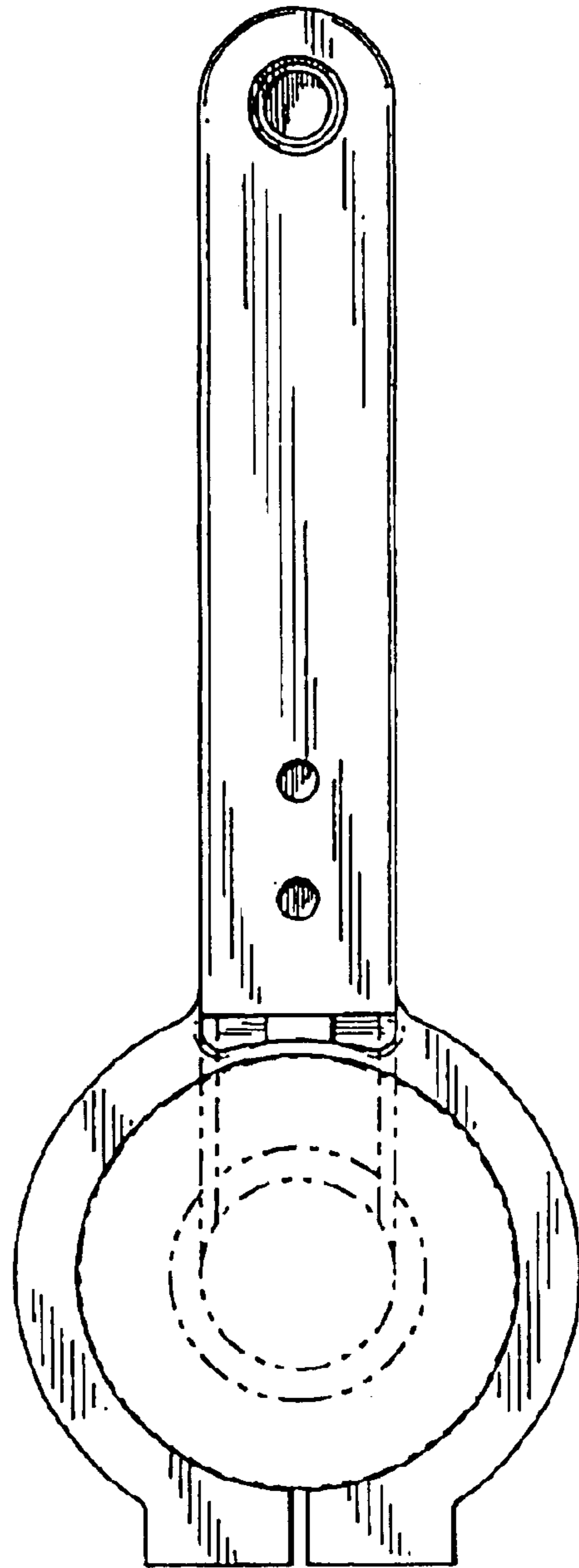


FIG. 3

