

US00D503934S

(12) **United States Design Patent**
Wall

(10) **Patent No.:** **US D503,934 S**
(45) **Date of Patent:** **** Apr. 12, 2005**

(54) **RACE-CAR-HELMET ANTENNA BALL**

(75) Inventor: **Jason Wall**, Dana Point, CA (US)

(73) Assignee: **In-Concept, Inc.**, San Clemente, CA (US)

(**) Term: **14 Years**

(21) Appl. No.: **29/192,528**

(22) Filed: **Oct. 23, 2003**

(51) **LOC (7) Cl.** **14-03**

(52) **U.S. Cl.** **D14/232**

(58) **Field of Search** D14/230, 232,
D14/299; D12/197, 199, 200, 162; D11/157,
135; D29/102-106; 2/425; D21/658, 660,
627; D2/865, 869, 878; 116/23 R, 28 R

(56) **References Cited**

U.S. PATENT DOCUMENTS

D179,967 S	*	4/1957	Erickson	D29/104
D274,461 S	*	6/1984	Minshull	D23/367
D351,685 S	*	10/1994	Kamata	D29/105
5,987,651 A	*	11/1999	Tanaka	D2/425
D438,141 S	*	2/2001	Mancini	D11/157
D476,316 S	*	6/2003	Neil	D14/232

OTHER PUBLICATIONS

In-concept, Inc. ☐☐Antenna Balls found online at http://www.novelco.com/antenna-balls/Stock_items/index.htm☐☐racing helmet designs near bottom of page.*
Jan. 6, 2004 Printout of web page at <http://cgi.ebay.com/ws/eBayISAPI.dll?ViewItem&item=357632335> (pp. 1-3).
Jan. 6, 2004 Printout of web page at http://122.ebayimg.com/01/i/01/0d/4f/0e_3.JPG.
Jan. 6, 2004 Printout of web page at http://i16.ebayimg.com/01/i/01/0d/82/c5_3.JPG.
Jan. 6, 2004 Printout of web page at http://i8.ebayimg.com/02/i/01/0d/26/9d_3.JPG.
Jan. 6, 2004 Printout of web page at <http://cgi.ebay.com/ws/eBayISAPI.dll?ViewItem&item=2777338616> (pp. 1-4).

Jan. 6, 2004 Printout of web page at <http://cgi.ebay.com/ws/eBayISAPI.dll?ViewItem&item=2777343704> (pp. 1-4).

Jan. 6, 2004 Printout of web page at <http://cgi.ebay.com/ws/eBayISAPI.dll?ViewItem&item=2777343837> (pp. 1-4).

Jan. 6, 2004 Printout of web page at <http://www.mm-inet.com/526412.shtml>.

Jan. 6, 2004 Printout of web page at <http://cgi.ebay.com/eBayISAPI.dll?ViewItem&item=2778012280> (pp. 1-3).

Jan. 6, 2004 Printout of web page at <http://www.idatasports.com/cgi-bin/idlist.cgi?pm=VLARGE&item?rwc5> (pp. 1-2).

Apr. 1, 2004 Printout of Simpson helmet photographic image from internet.

* cited by examiner

Primary Examiner—Louis S. Zarfaz

Assistant Examiner—Deanne Levy

(74) *Attorney, Agent, or Firm*—Mitchell Silberberg & Knupp LLP

(57) **CLAIM**

The ornamental design for a race-car-helmet antenna ball, as shown and described.

DESCRIPTION

FIG. 1 is a perspective view of a race-car-helmet antenna ball according to the present invention.

FIG. 2 is a front elevational view of the race-car-helmet antenna ball.

FIG. 3 is a rear elevational view of the race-car-helmet antenna ball.

FIG. 4 is a right side elevational view of the race-car-helmet antenna ball.

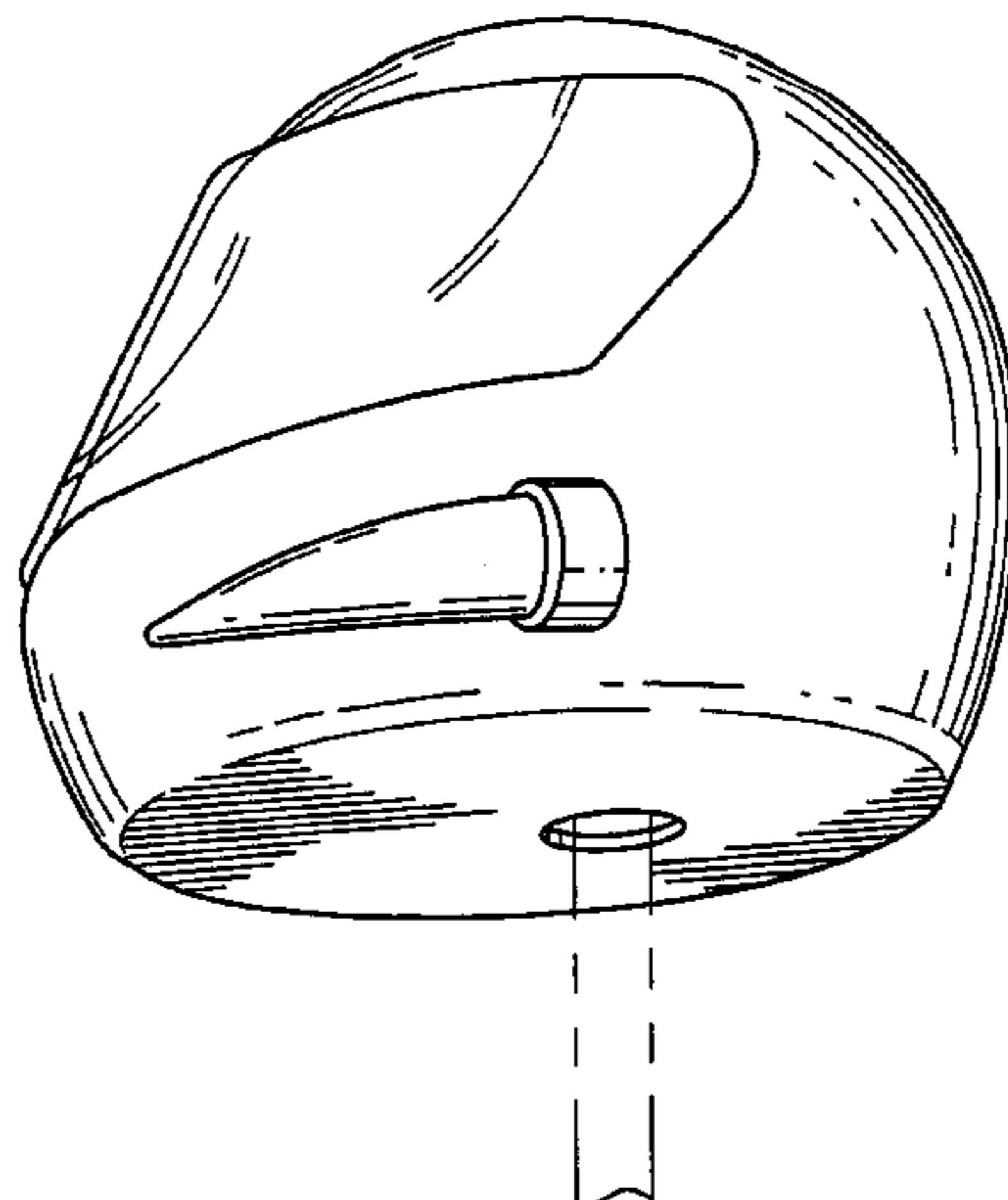
FIG. 5 is a left side elevational view of the race-car-helmet antenna ball.

FIG. 6 is a top plan view of the race-car-helmet antenna ball; and,

FIG. 7 is a bottom plan view of the race-car-helmet antenna ball.

The broken line showing of the antenna is for illustrative purposes only and forms no part of the claimed design.

1 Claim, 2 Drawing Sheets



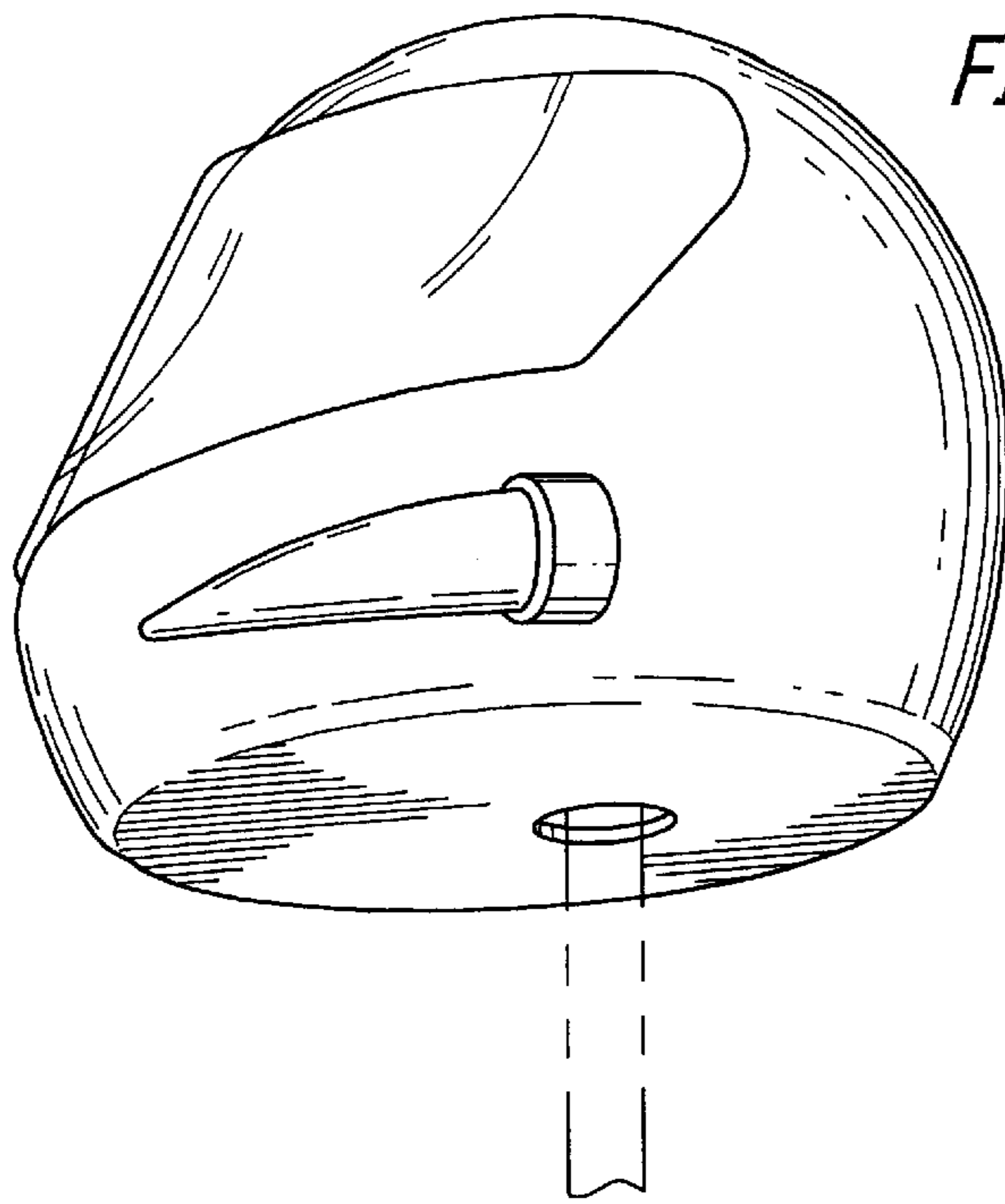


FIG. 1

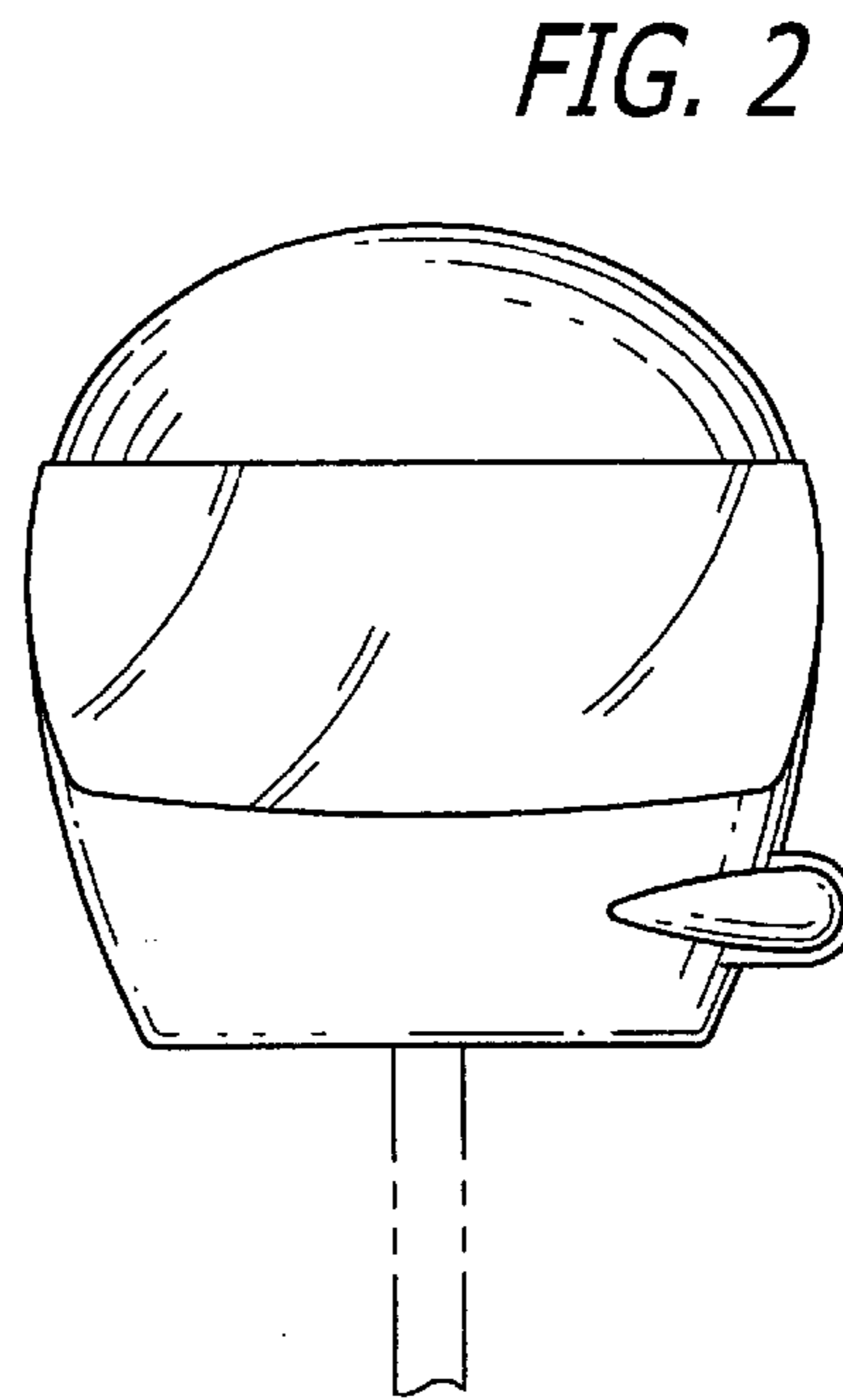


FIG. 2

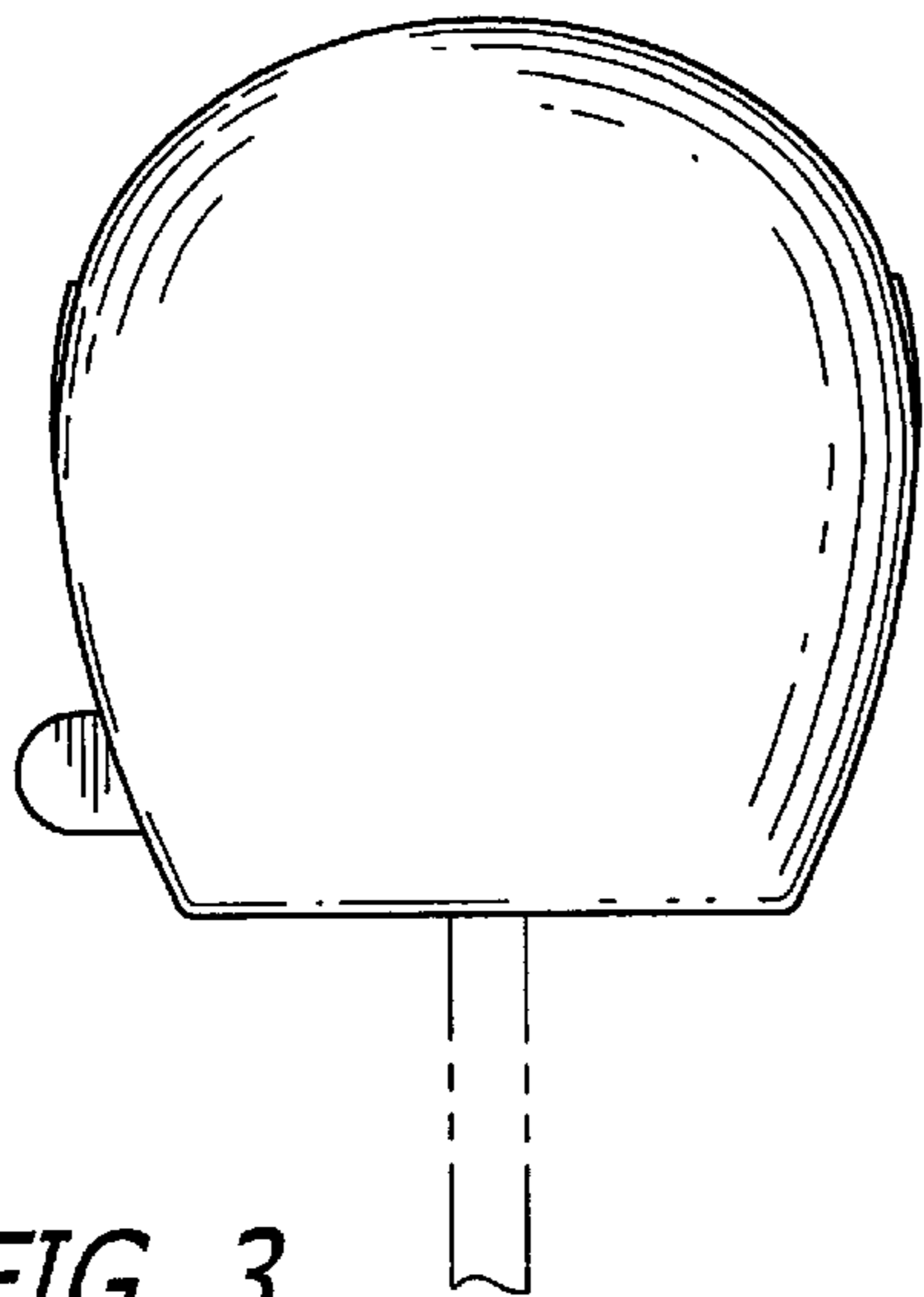


FIG. 3

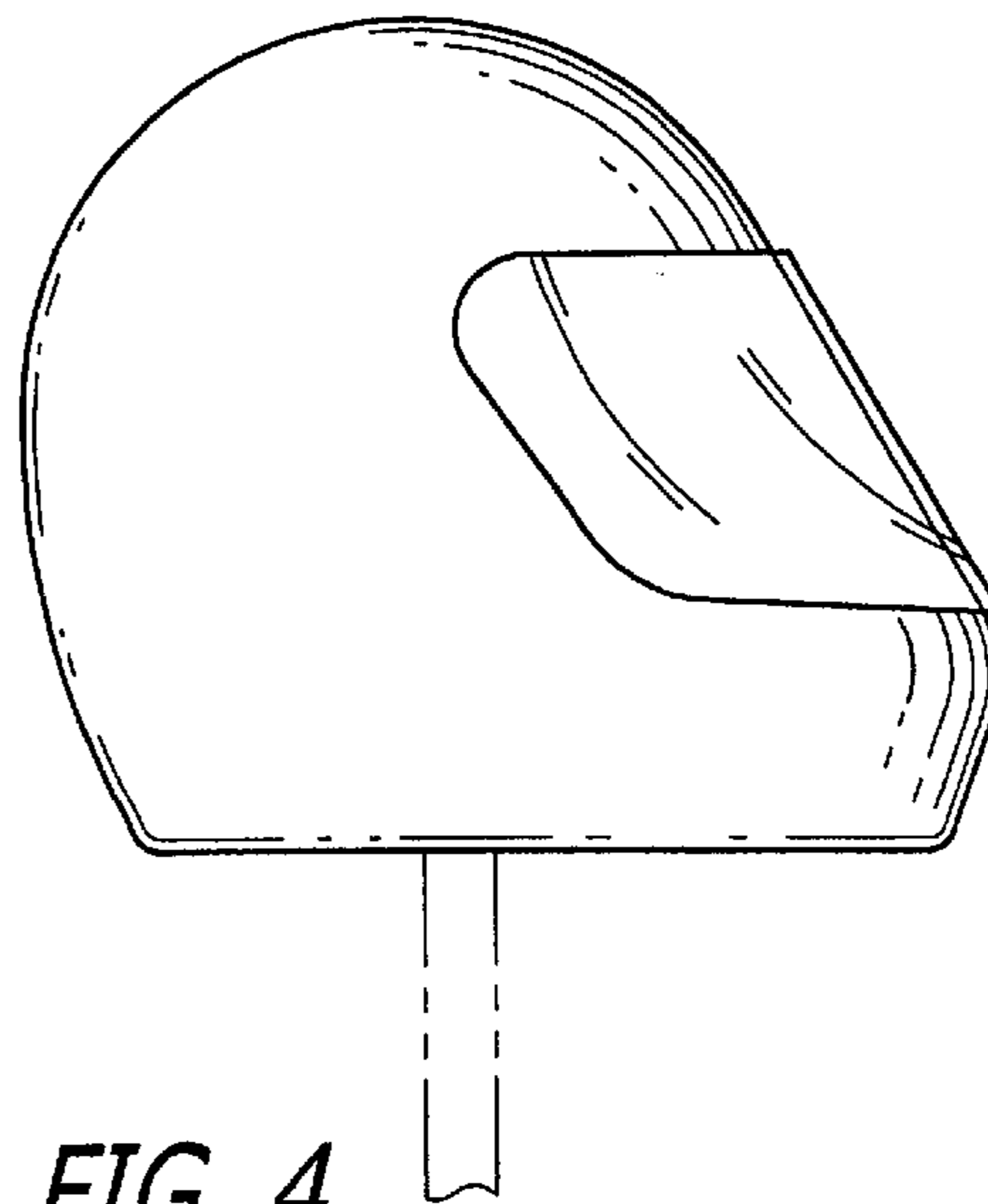


FIG. 4

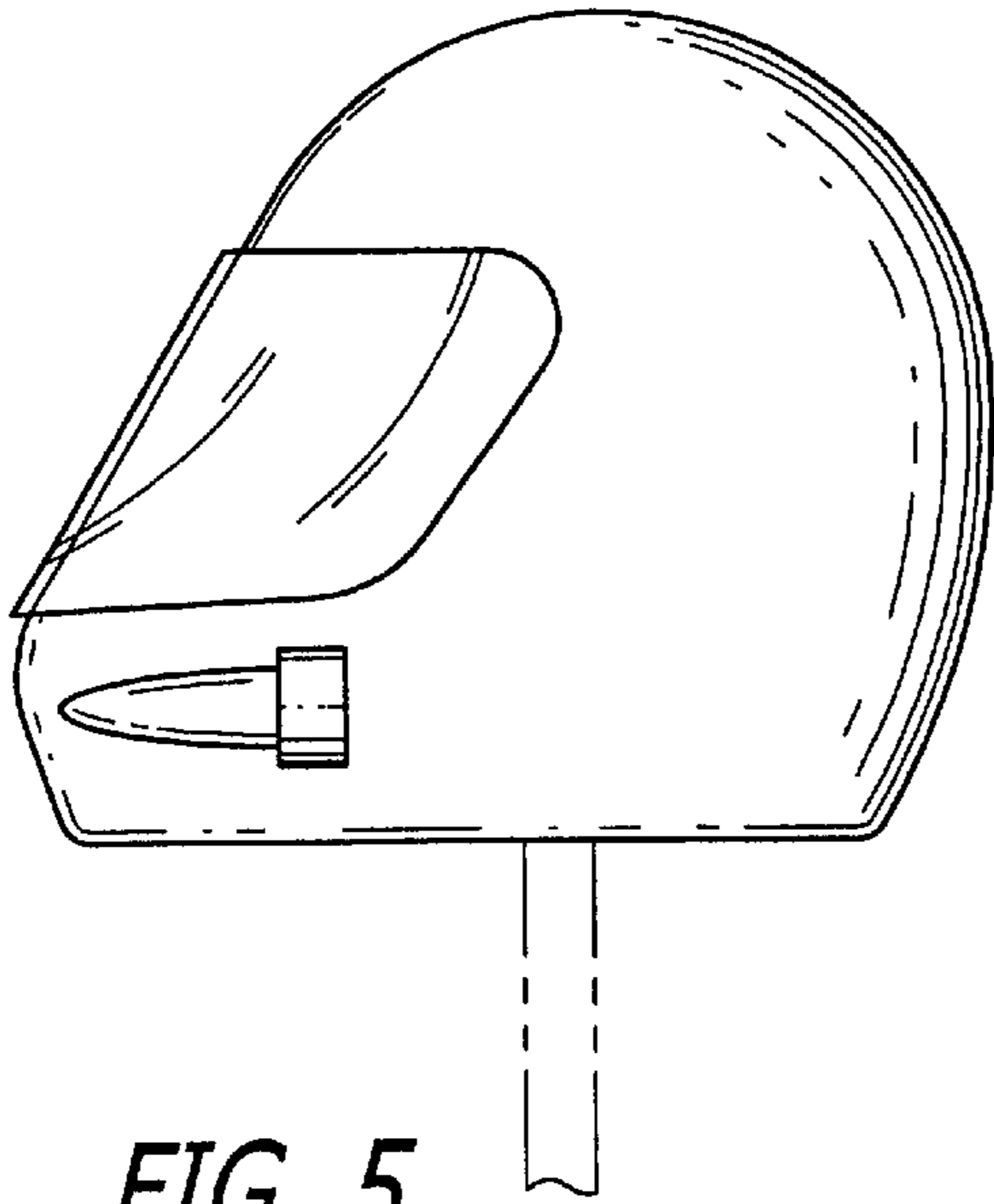


FIG. 5

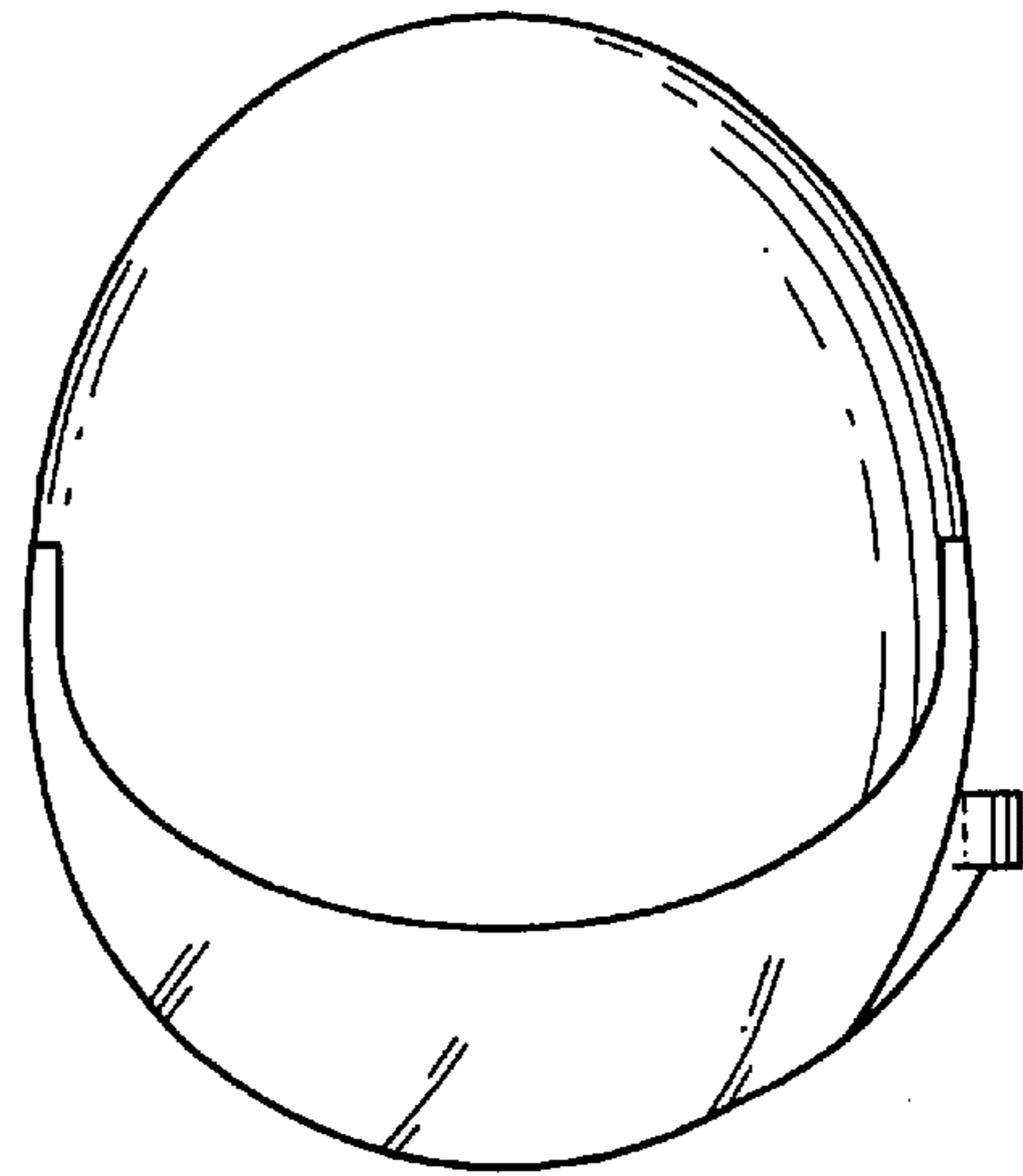


FIG. 6

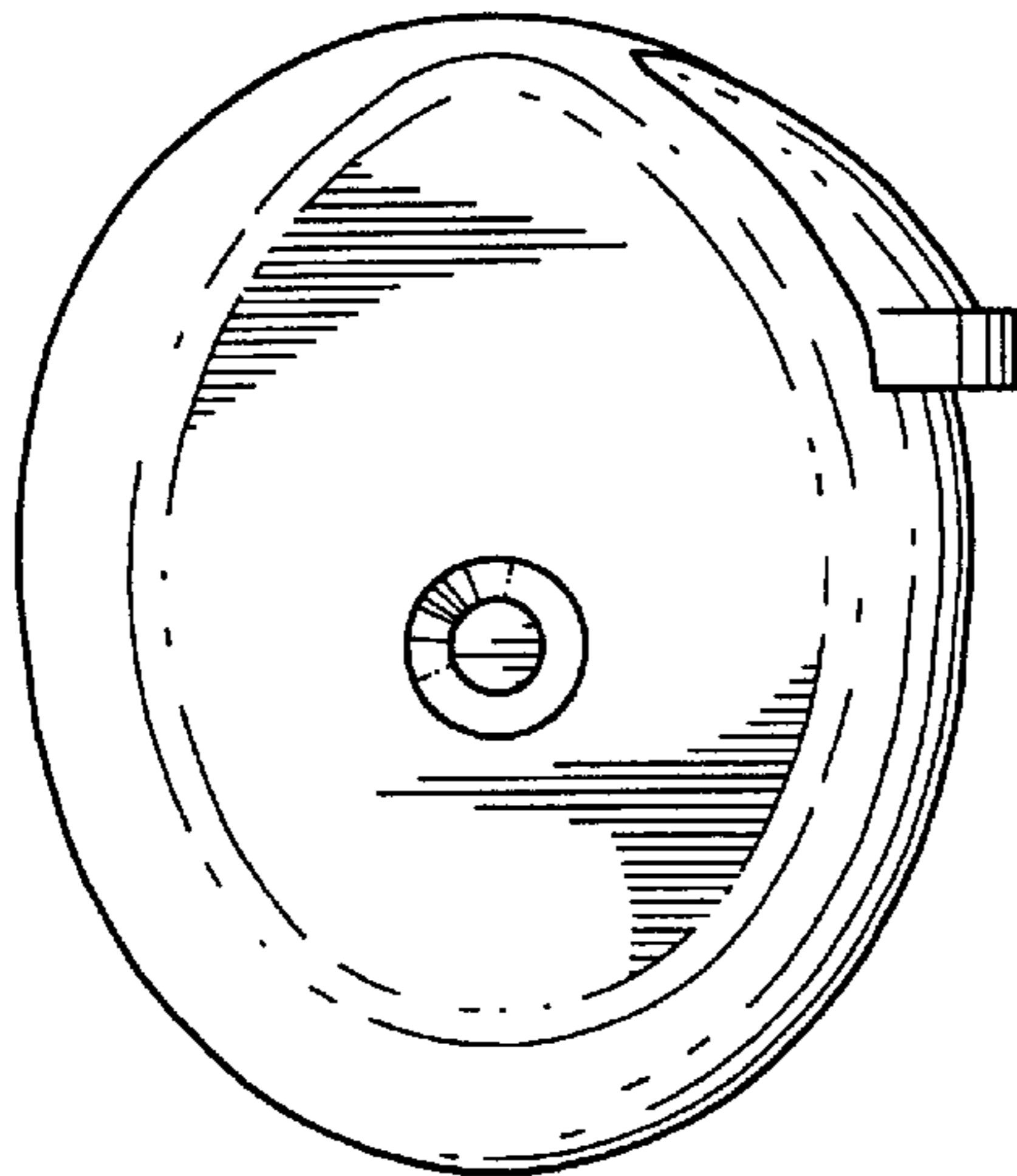


FIG. 7