

US00D503933S

(12) **United States Design Patent**
Lum

(10) **Patent No.:** **US D503,933 S**

(45) **Date of Patent:** **** Apr. 12, 2005**

(54) **LOUDSPEAKER**

5,546,468 A * 8/1996 Beard 381/300
D481,705 S * 11/2003 Homewood et al. D14/214

(75) Inventor: **Myk Wayne Lum**, Irvine, CA (US)

* cited by examiner

(73) Assignee: **Harman International Industries, Incorporated**, Northridge, CA (US)

Primary Examiner—Nanda Bondade

(74) *Attorney, Agent, or Firm*—Plumsea Law Group, LLC

(**) Term: **14 Years**

(57) **CLAIM**

(21) Appl. No.: **29/196,706**

The ornamental design for a loudspeaker, as shown and described.

(22) Filed: **Jan. 2, 2004**

DESCRIPTION

(51) **LOC (7) Cl.** **14-01**

(52) **U.S. Cl.** **D14/215**

(58) **Field of Search** D14/204, 207,
D14/209–216, 356; 181/143–144, 147–148,
150, 156, 198–199, 151, 153; 381/300–302,
306, 333, 345, 361–364, 386–388, 332,
336

FIG. 1 is a perspective view of a loudspeaker showing my new design;

FIG. 2 is front elevational view thereof;

FIG. 3 is a top plan view thereof;

FIG. 4 is a side elevational view, the opposite side elevational view being a mirror image thereof; and,

FIG. 5 is a bottom plan view thereof.

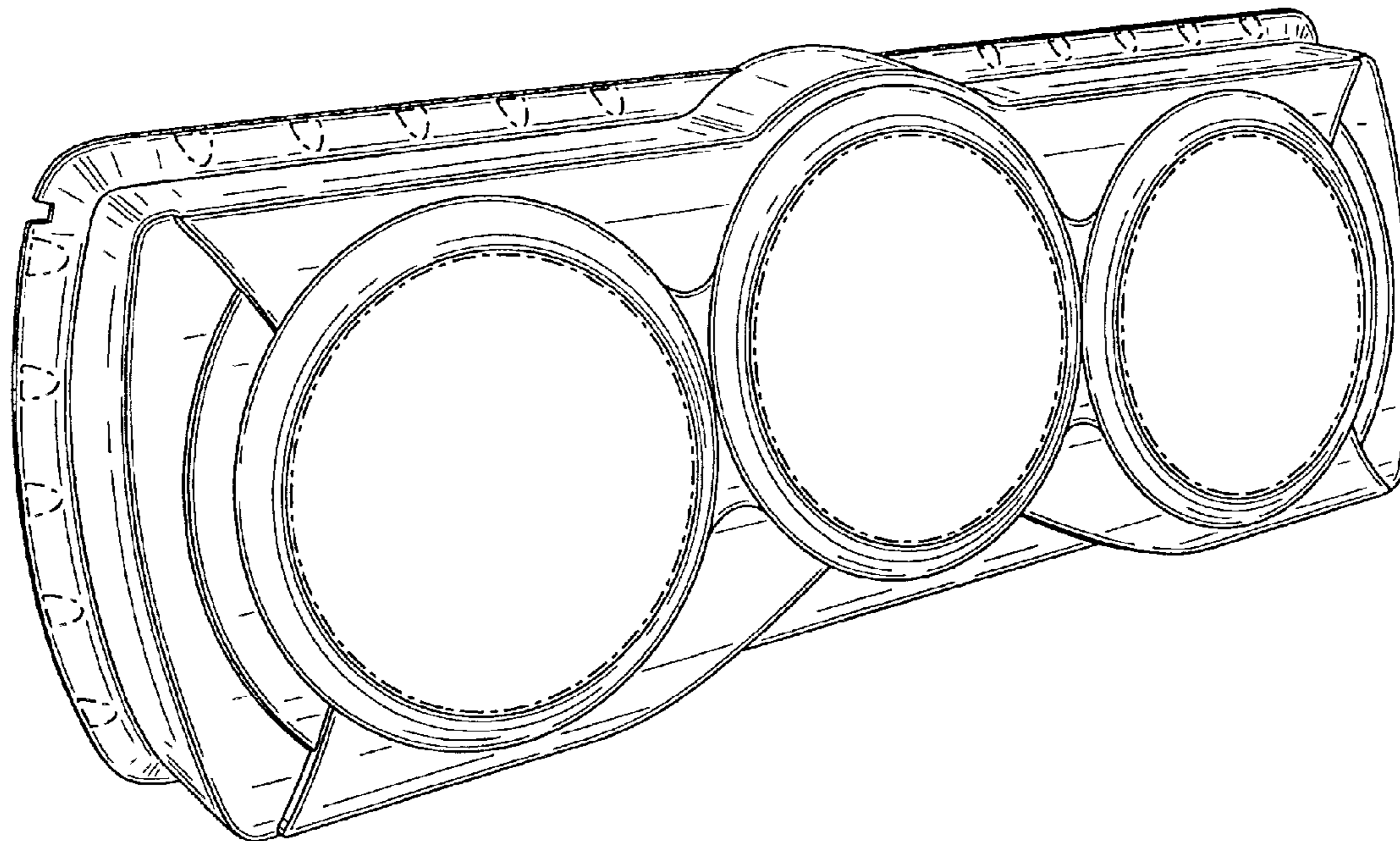
The broken line showings of the three large circles and the series of fin-shaped elements along the periphery are for illustrative purposes only and form no part of the claimed invention.

(56) **References Cited**

U.S. PATENT DOCUMENTS

D281,158 S * 10/1985 Ishizaki D14/214
D324,389 S 3/1992 Kamata

1 Claim, 5 Drawing Sheets



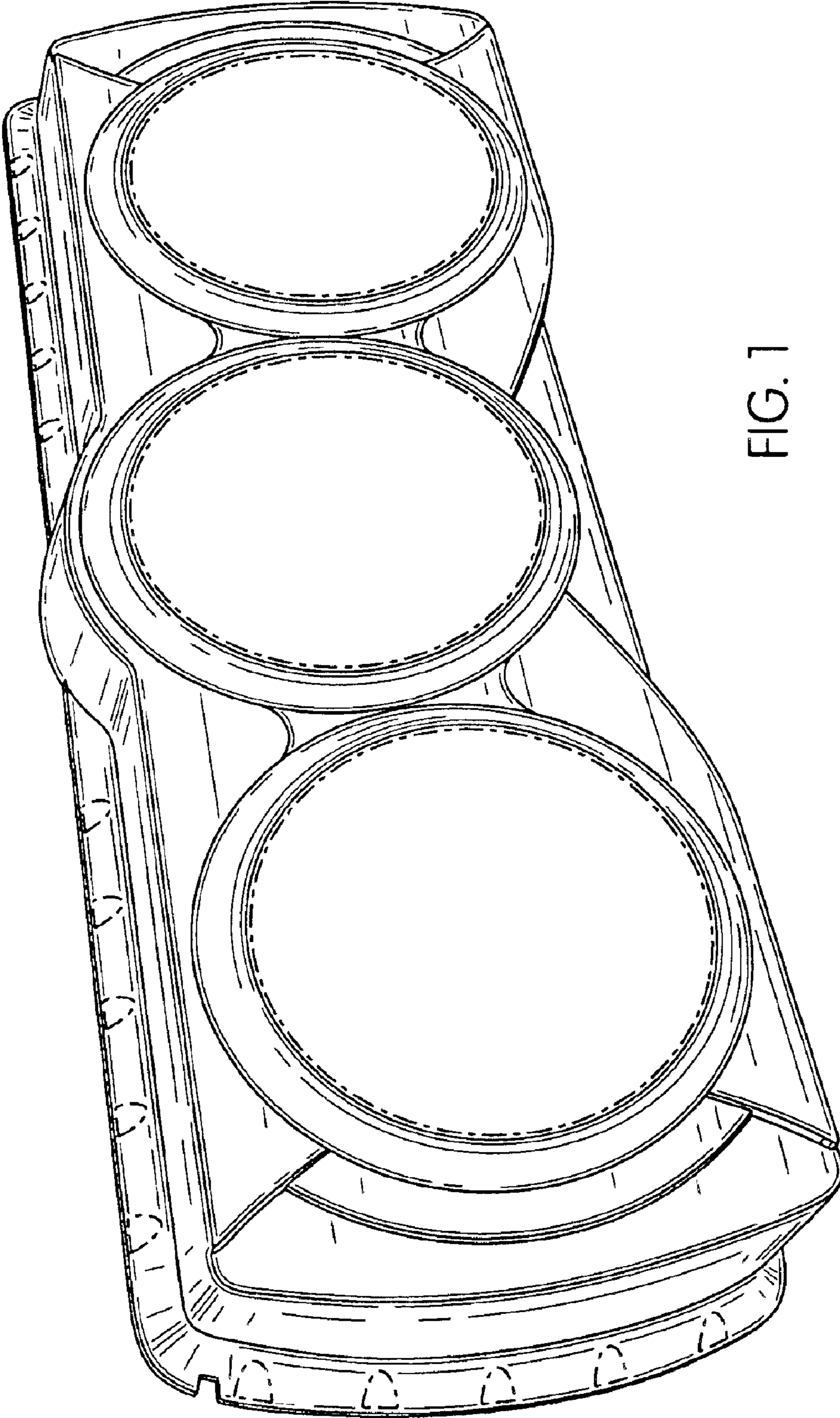


FIG. 1

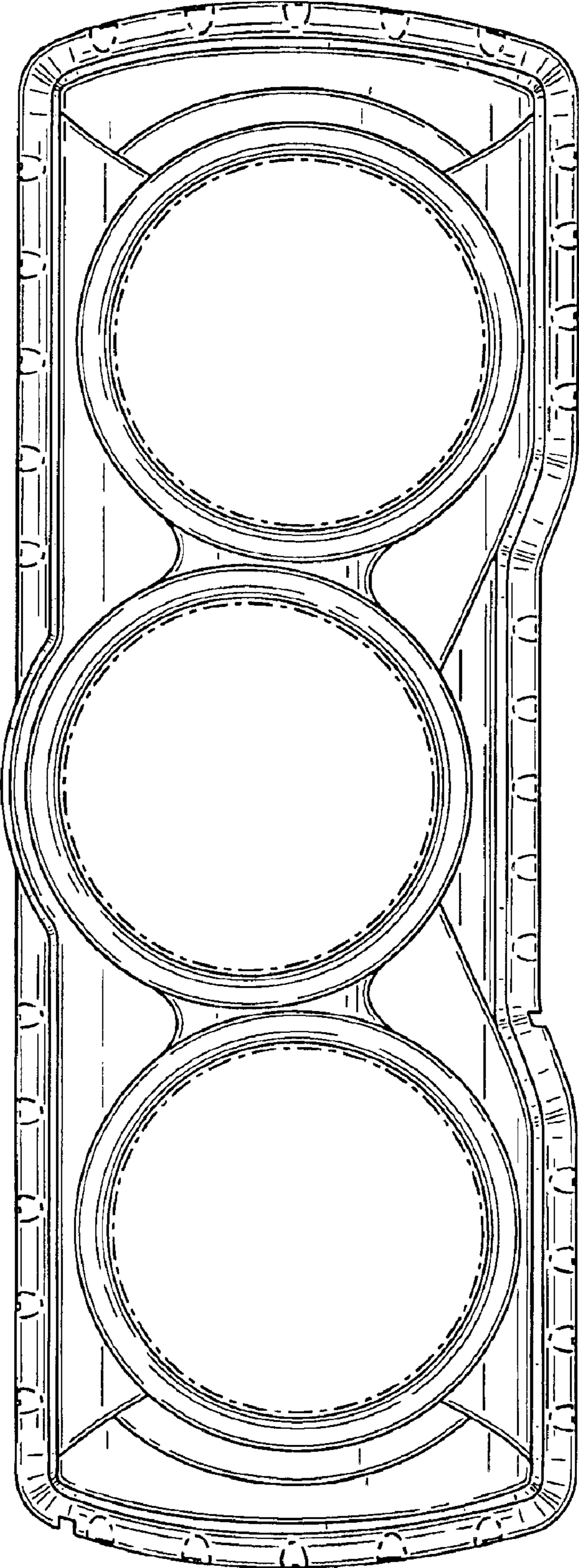


FIG. 2

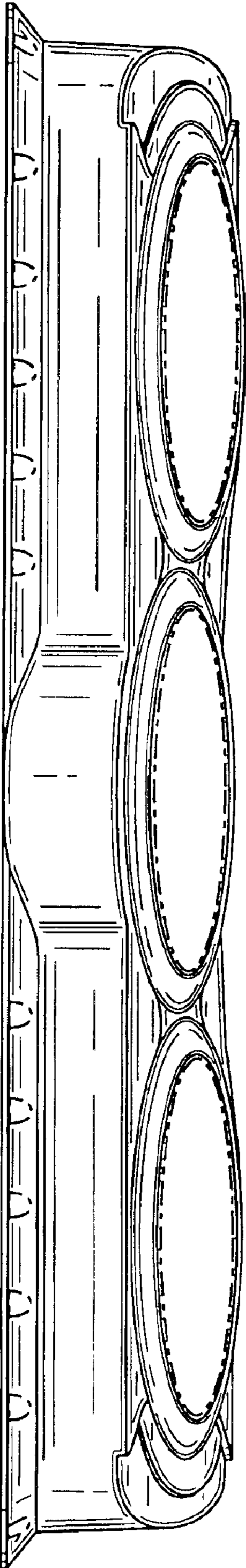


FIG. 3

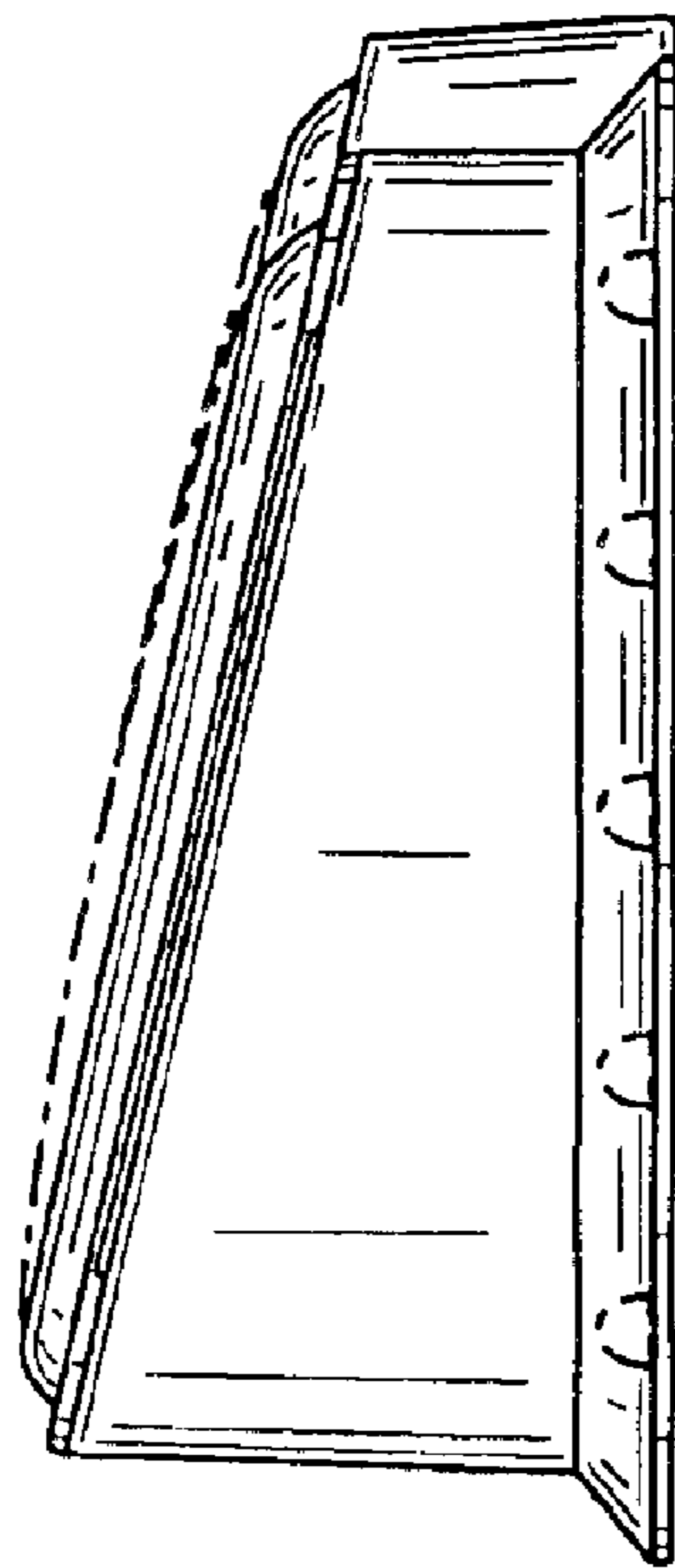


FIG. 4

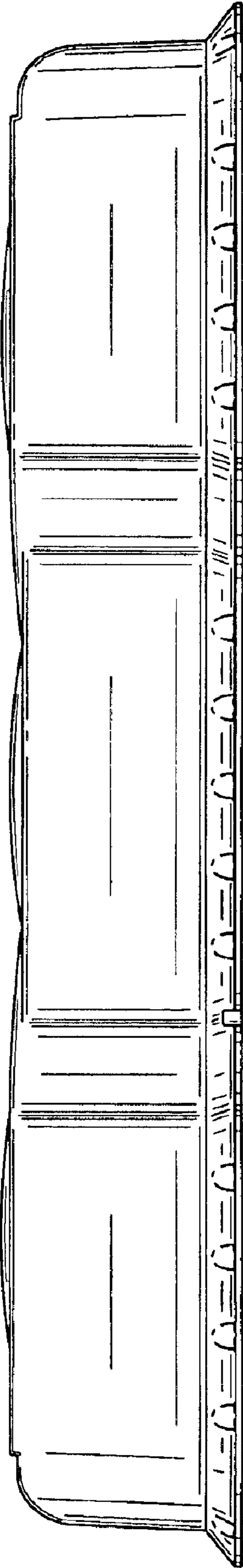


FIG. 5