

US00D503932S

(12) **United States Design Patent**  
**Bhavnani**

(10) **Patent No.:** **US D503,932 S**  
(45) **Date of Patent:** **\*\* Apr. 12, 2005**

(54) **RADIO**

(75) **Inventor:** **Dilip Bhavnani**, Beverly Hills, CA (US)

(73) **Assignee:** **Sun Gast Merchandise Corp.**, Commerce, CA (US)

(\*\*) **Term:** **14 Years**

(21) **Appl. No.:** **29/203,211**

(22) **Filed:** **Apr. 9, 2004**

(51) **LOC (7) Cl.** ..... **14-03**

(52) **U.S. Cl.** ..... **D14/197**

(58) **Field of Search** ..... D14/137, 138,  
D14/155, 156, 157, 168, 169, 192-198,  
188; 455/344-351

(56) **References Cited**

**U.S. PATENT DOCUMENTS**

2,521,423	A	*	9/1950	Stuck	.....	455/170.1
4,639,225	A	*	1/1987	Washizuka	.....	434/308
5,146,618	A	*	9/1992	Wenner	.....	455/345
D344,729	S	*	3/1994	Mueller	.....	D14/194
5,471,659	A	*	11/1995	Wong	.....	455/132
D379,007	S	*	4/1997	Obata	.....	D14/162
D381,983	S	*	8/1997	Nagai	.....	D14/168
D385,562	S	*	10/1997	Niijima et al.	.....	D14/188

D411,198	S	*	6/1999	Kawase	.....	D14/168
D419,558	S		1/2000	Bhavnani		
D422,590	S	*	4/2000	Kloss	.....	D14/194
D428,612	S	*	7/2000	Scorrano	.....	D14/194
D473,856	S		4/2003	Bhavnani		
D473,857	S		4/2003	Bhavnani		
D475,990	S		6/2003	Bhavnani		
D476,308	S		6/2003	Bhavnani		

\* cited by examiner

*Primary Examiner*—Prabhakar Deshmukh

(74) *Attorney, Agent, or Firm*—Brian M. Carpenter

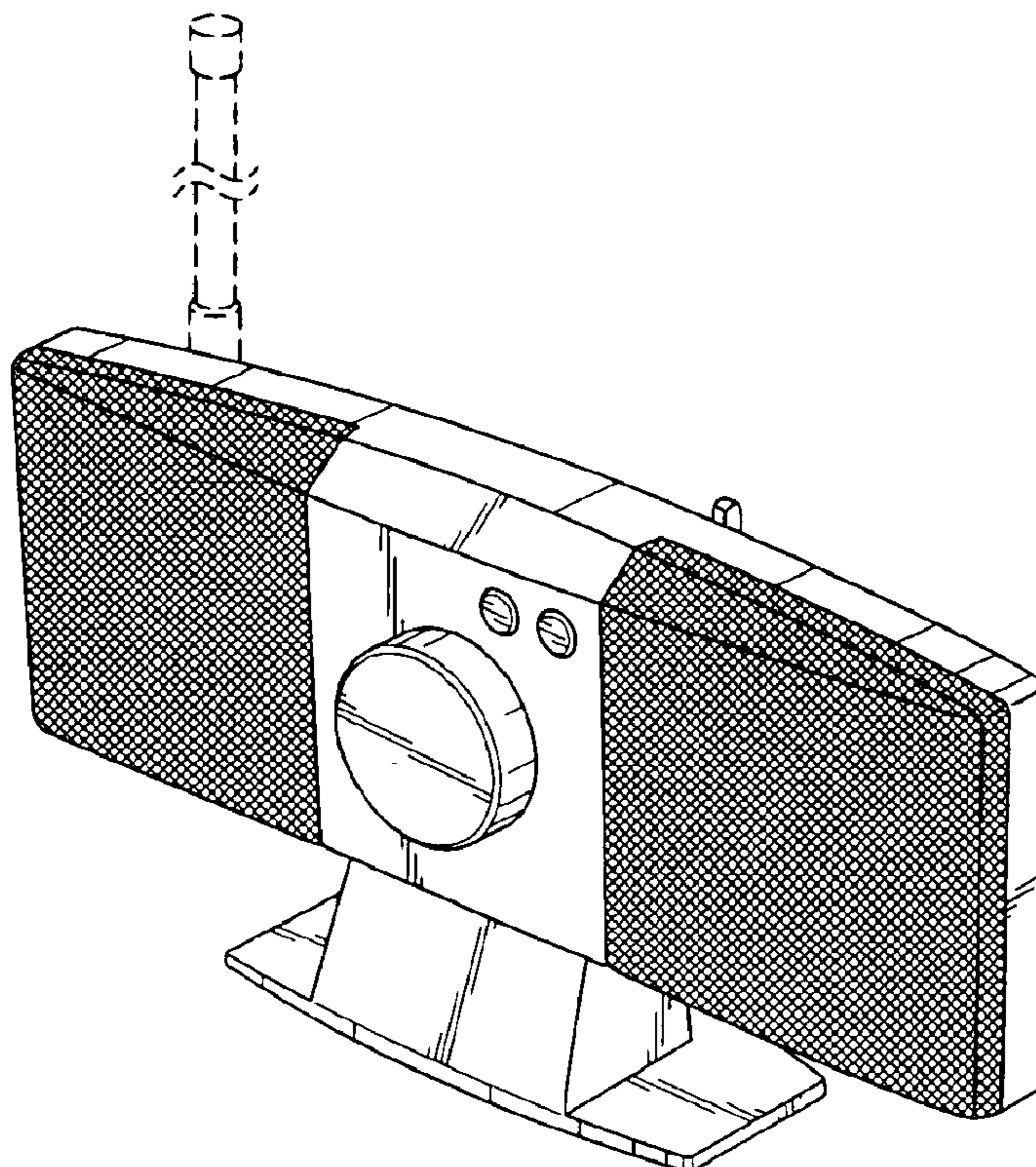
(57) **CLAIM**

The ornamental design for a radio, as shown and described.

**DESCRIPTION**

FIG. 1 is a perspective view of a radio;  
FIG. 2 is a front elevational view of the radio of FIG. 1;  
FIG. 3 is a right side elevational view of the radio of FIG. 1;  
FIG. 4 is a left side elevational view of the radio of FIG. 1;  
FIG. 5 is a top plan view of the radio of FIG. 1;  
FIG. 6 is a bottom plan view of the radio of FIG. 1; and,  
FIG. 7 is a rear elevational view of the radio of FIG. 1.  
The broken lines showing of antenna is for illustrative purpose only and forms no part of the claimed design.

**1 Claim, 2 Drawing Sheets**



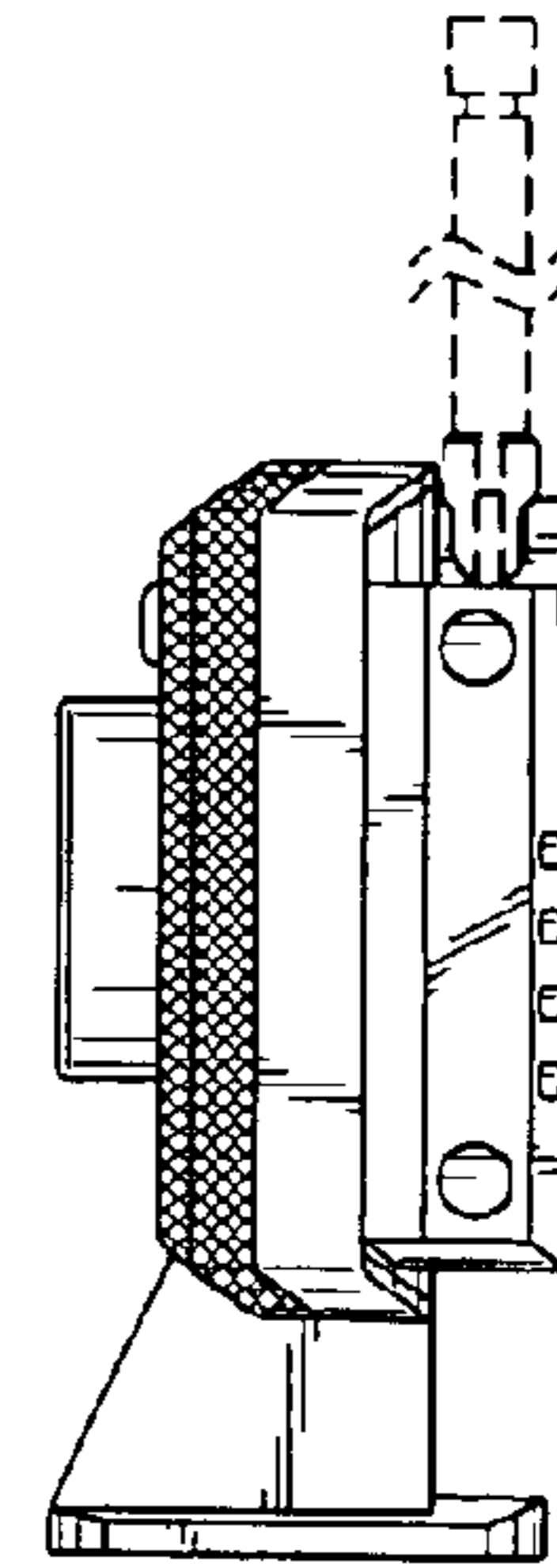
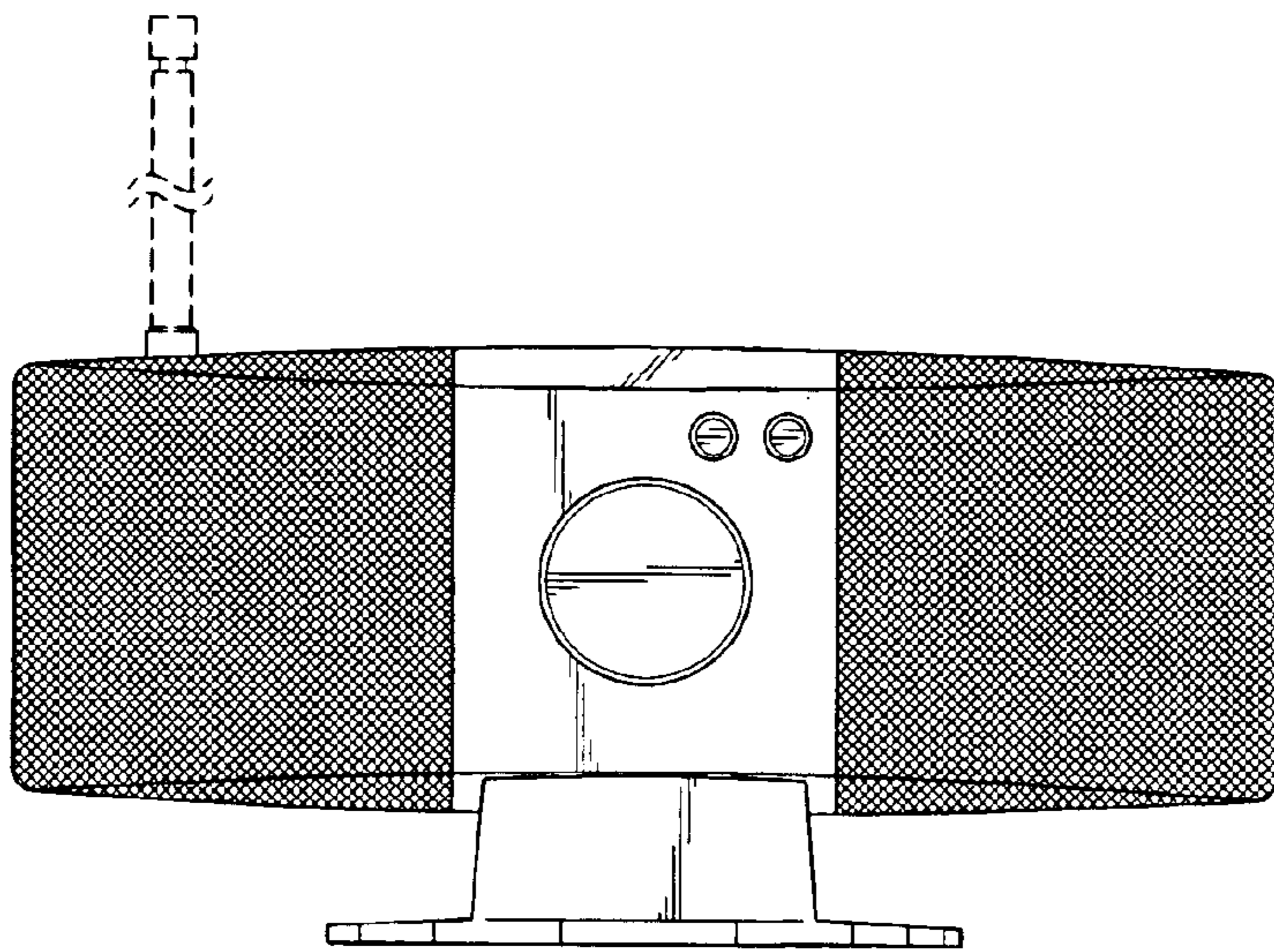
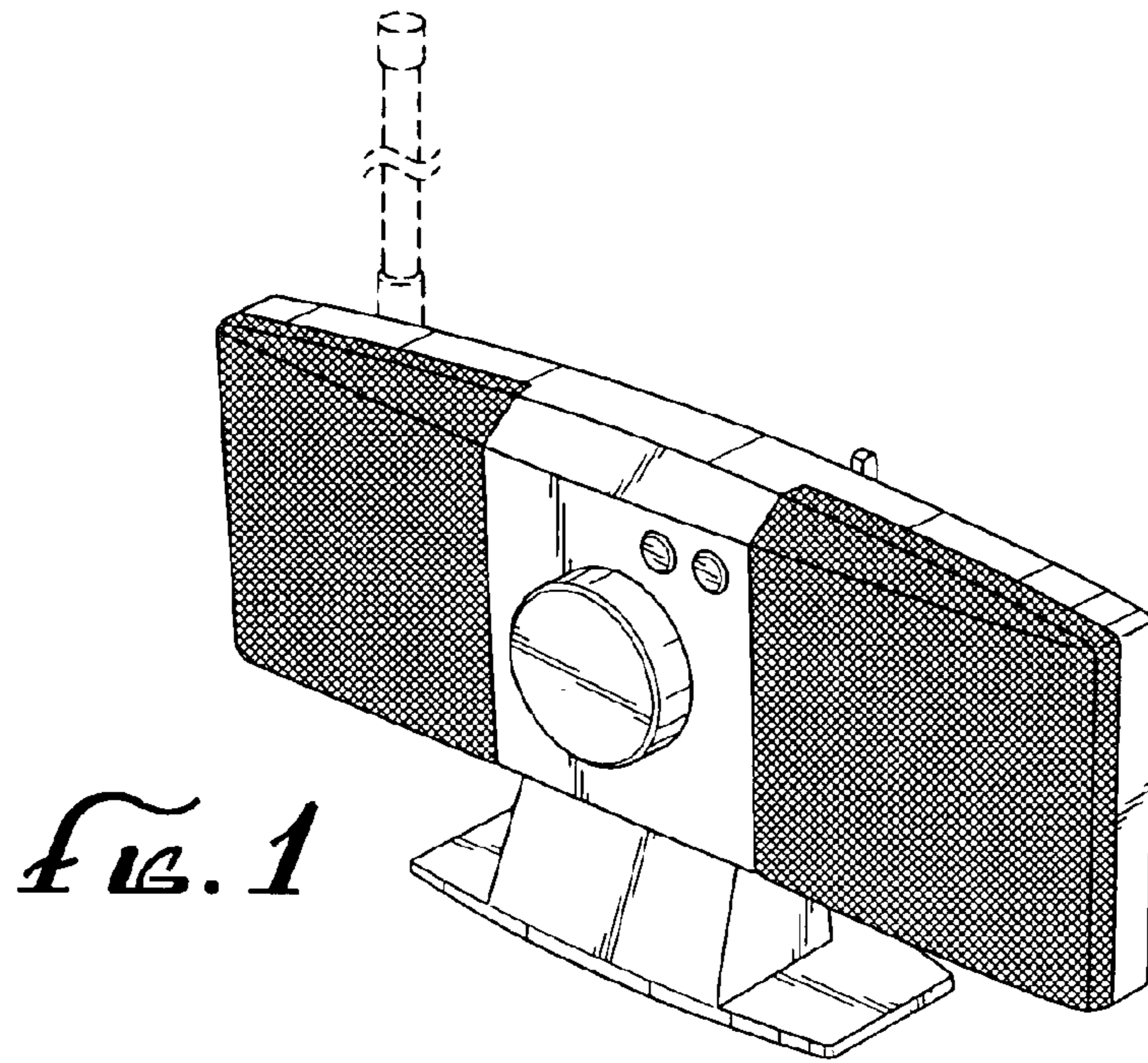


Fig. 2

Fig. 3

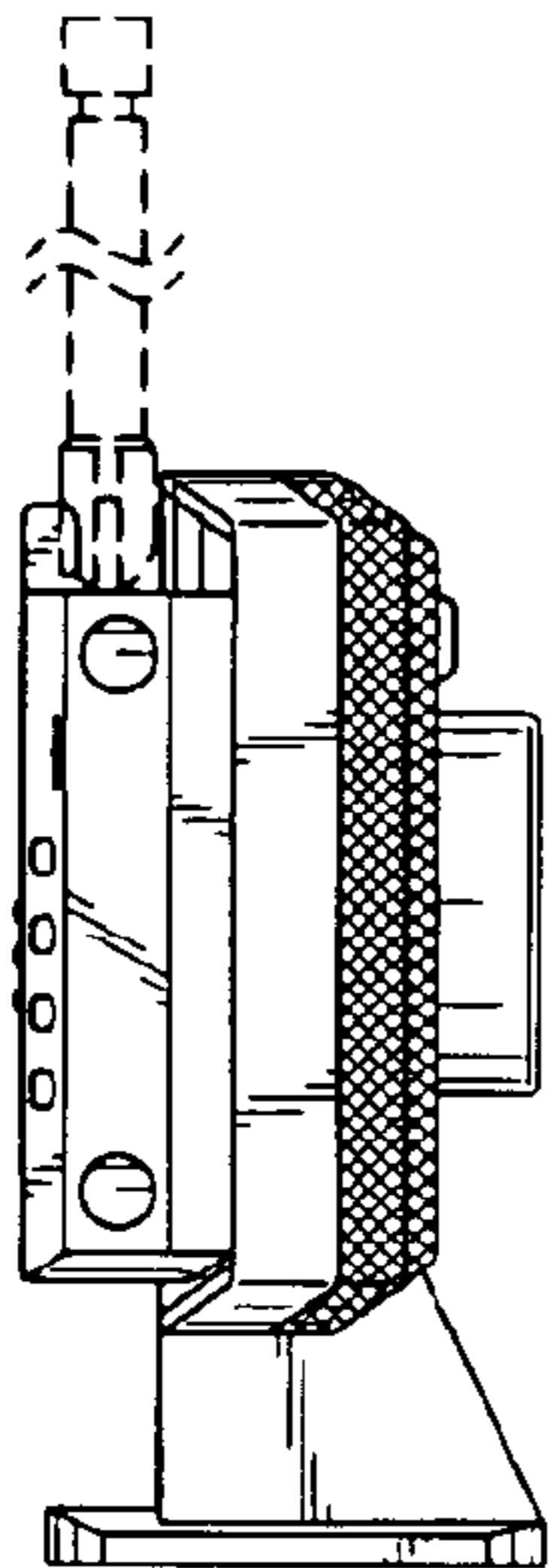


FIG. 4

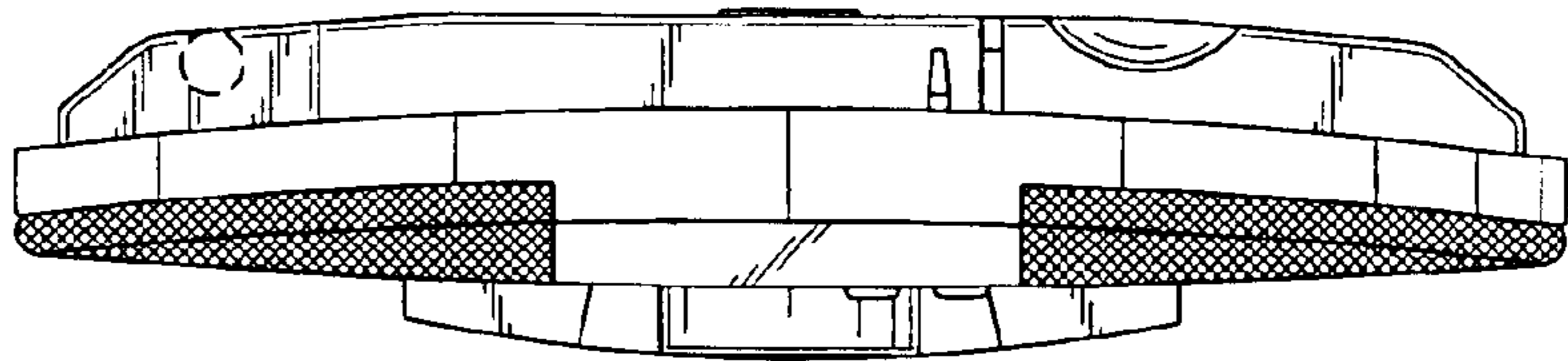


FIG. 5

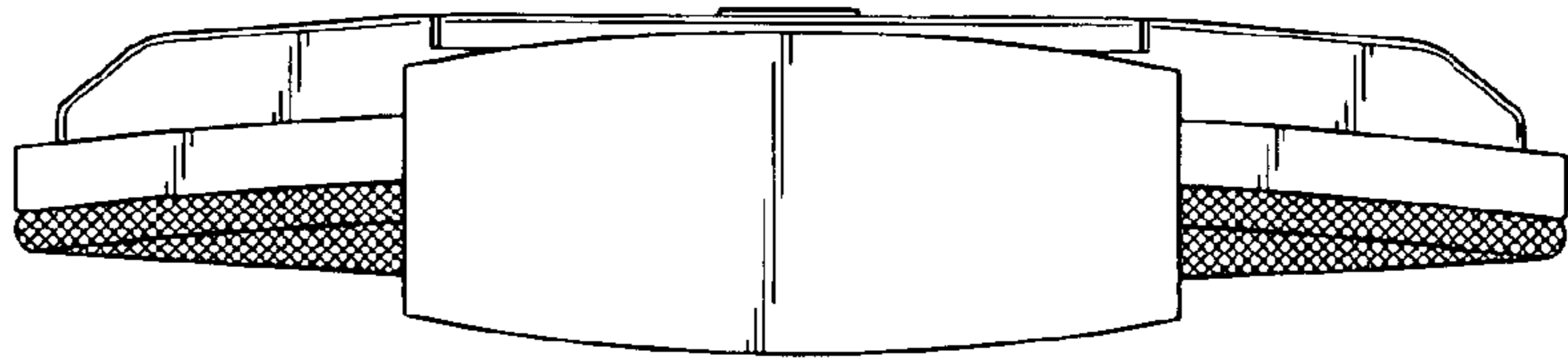


FIG. 6

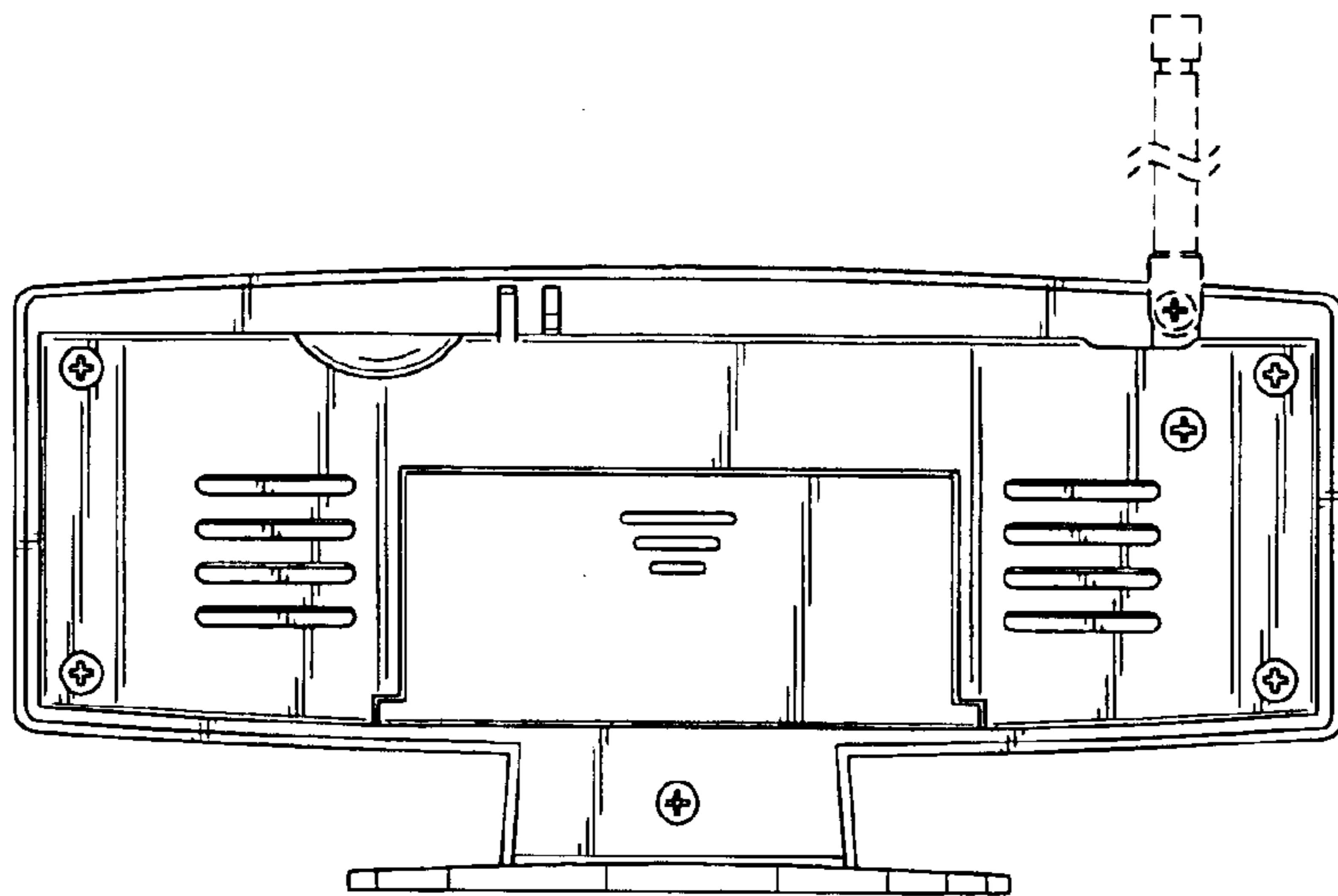


FIG. 7