

US00D503928S

(12) **United States Design Patent**
Obata

(10) **Patent No.: US D503,928 S**

(45) **Date of Patent: ** Apr. 12, 2005**

(54) **CONTROLLER**

(75) Inventor: **Shinichi Obata**, Tokyo (JP)

(73) Assignee: **Sony Corporation**, Tokyo (JP)

(**) Term: **14 Years**

(21) Appl. No.: **29/200,448**

(22) Filed: **Mar. 1, 2004**

(51) **LOC (7) Cl. 13-03**

(52) **U.S. Cl. D13/164; D13/168; D14/413; D16/237**

(58) **Field of Search D13/164, 168, D13/169; D14/218, 412, 413; D16/237, 238; 396/57, 300; 463/38, 46**

(56) **References Cited**

U.S. PATENT DOCUMENTS

D274,631 S	*	7/1984	Smith et al.	D14/413
4,469,330 A	*	9/1984	Asher	463/38
D306,998 S	*	4/1990	Mintz et al.	D13/164
D411,530 S	*	6/1999	Carter et al.	D14/413
D412,337 S	*	7/1999	Hamano	D16/237
D421,038 S		2/2000	Hisatsune	
D435,545 S		12/2000	Uehara	
D451,529 S	*	12/2001	Vasquez	D16/237

OTHER PUBLICATIONS

Web page "GAME watch, FlightSim Yoke" <http://www.watch.impress.co.jp/game/docs/20001213/twilight.htm>, 3 sheetst, Impress Corporation (Dec. 2000).

Web page "HD/SD/1M E, HVS-1000HS "1M/E HANABI"" <http://www.for-a.co.jp/products/hvs1000hs/hvs1000hs.html>, 3 sheets, For-A Company Limited (Dec. 2003).

Web page "GAME Watch, HORI [Flight Stick]" <http://www.watch.impress.co.jp/game/docs/20010914/hori.htm>, 3 sheets, Impress Corporation (Sep. 2003).

Web page "GAME Watch, Xbox" <http://www.watch.impress.co.jp/game/docs/20020912/tetu.htm>, 4 sheets, Impress Corporation (Sep. 2003).

Web page "GAME Watch, [SideWinder Force Feed Feedback 2]" <http://www.watch.impress.co.jp/game/docs/20030630/sw.htm>, 1 sheet, Impress Corporation (Jun. 2003).

* cited by examiner

Primary Examiner—Adir Aronovich

(74) *Attorney, Agent, or Firm*—Rader, Fishman & Grauer PLLC

(57) **CLAIM**

The ornamental design for a controller, as shown.

DESCRIPTION

FIG. 1 is a perspective view of a controller showing my new design;

FIG. 2 is a front elevational view thereof;

FIG. 3 is a rear elevational view thereof;

FIG. 4 is a left side elevational view thereof;

FIG. 5 is a right side elevational view thereof;

FIG. 6 is a top plan view thereof; and,

FIG. 7 is a bottom plan view thereof.

1 Claim, 4 Drawing Sheets

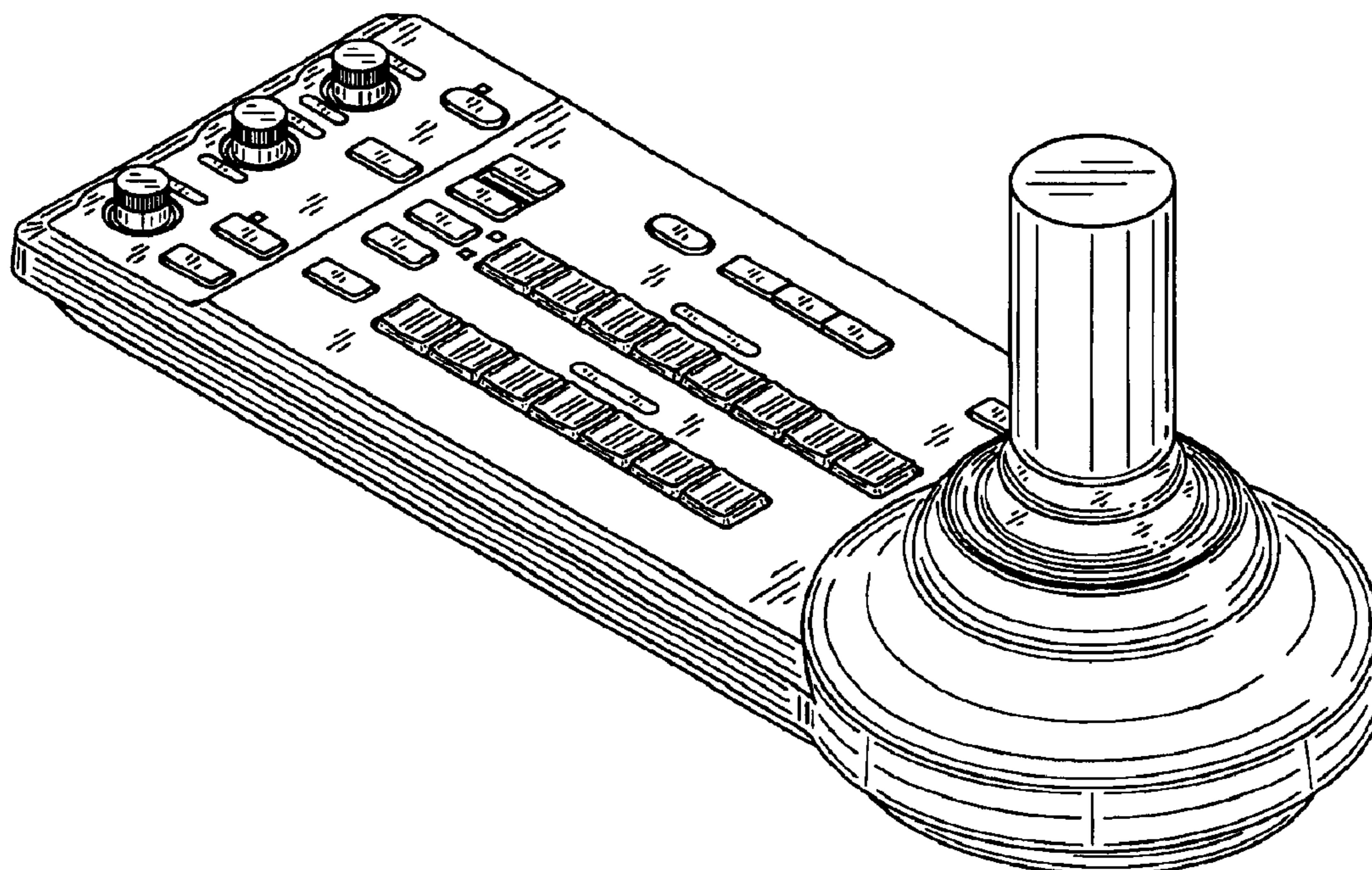


Fig.1

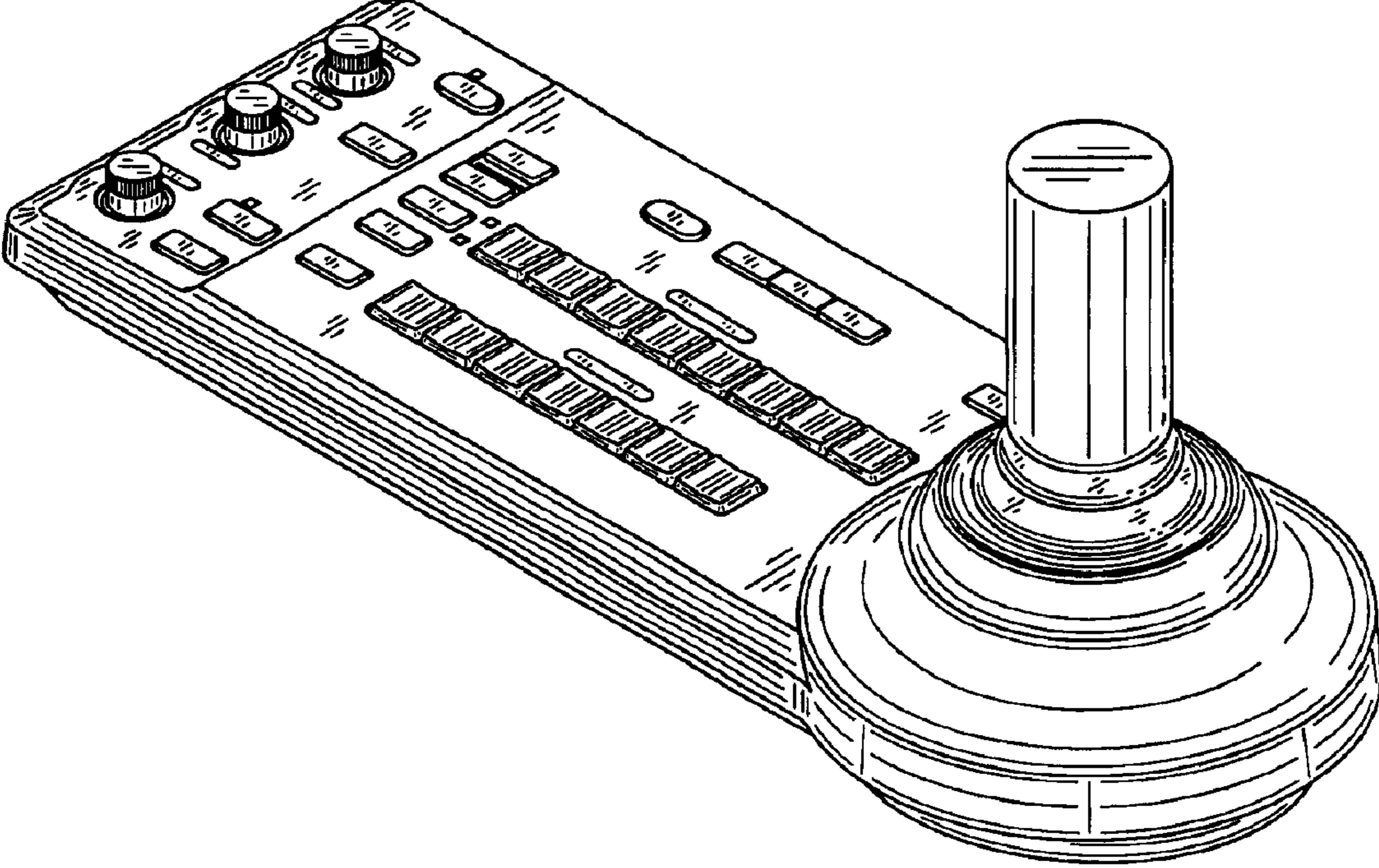


Fig.2

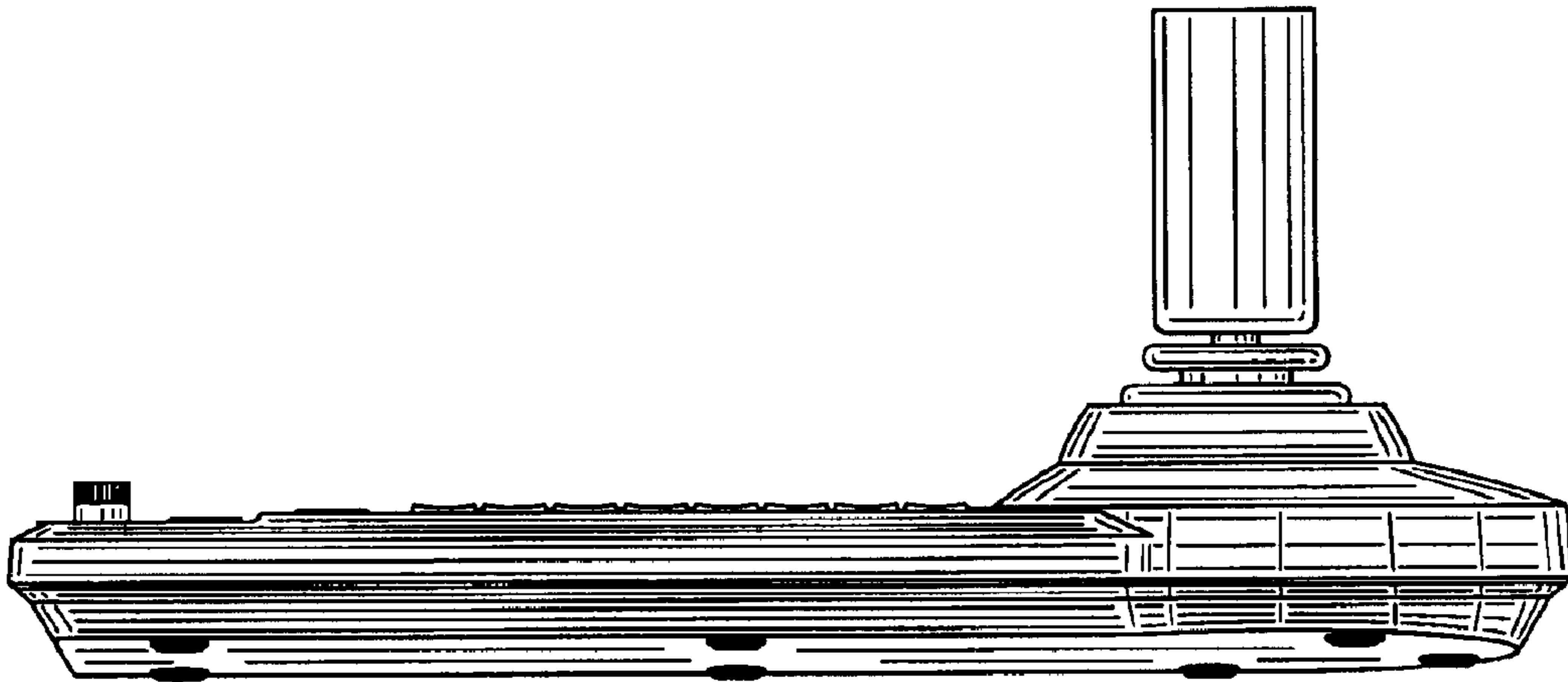


Fig.3

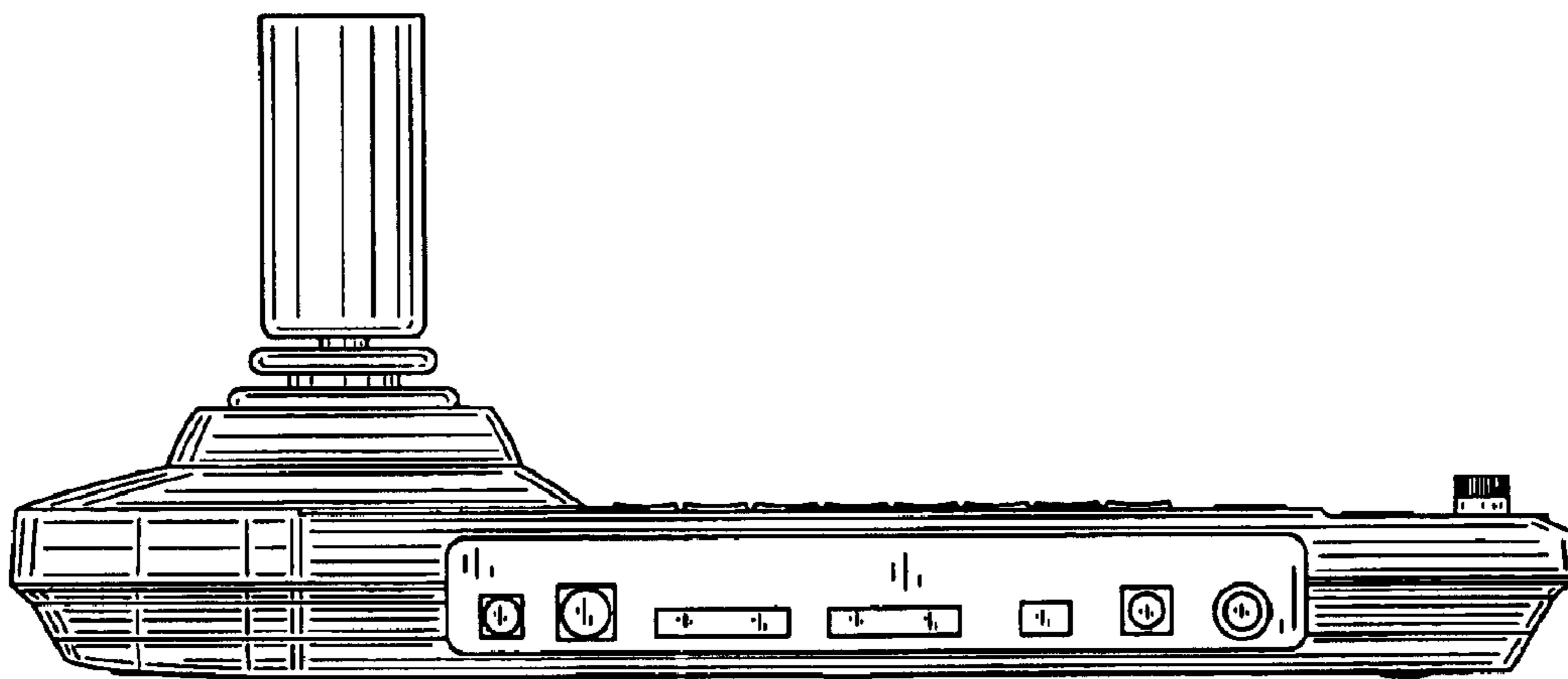


Fig.4

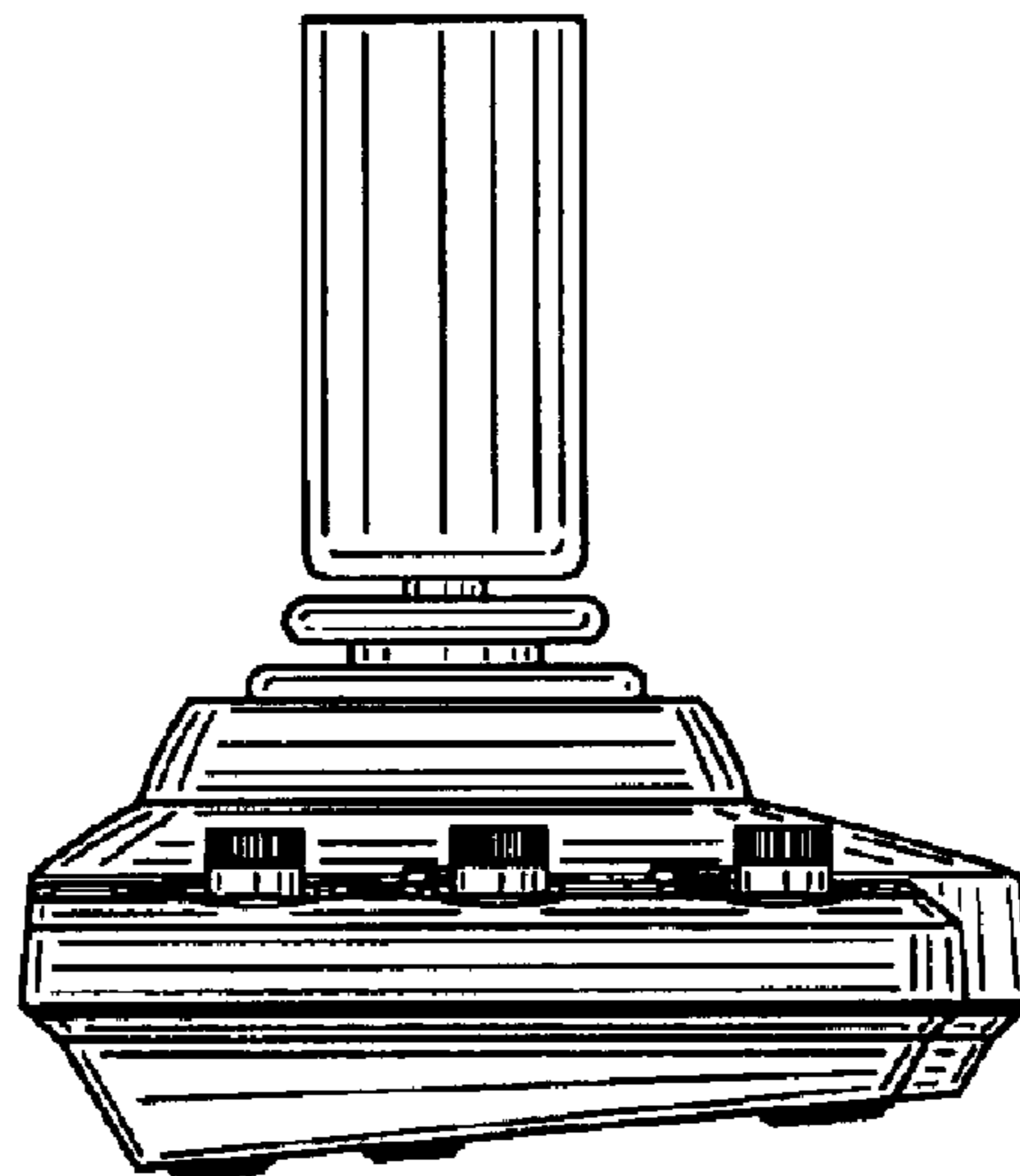


Fig.5

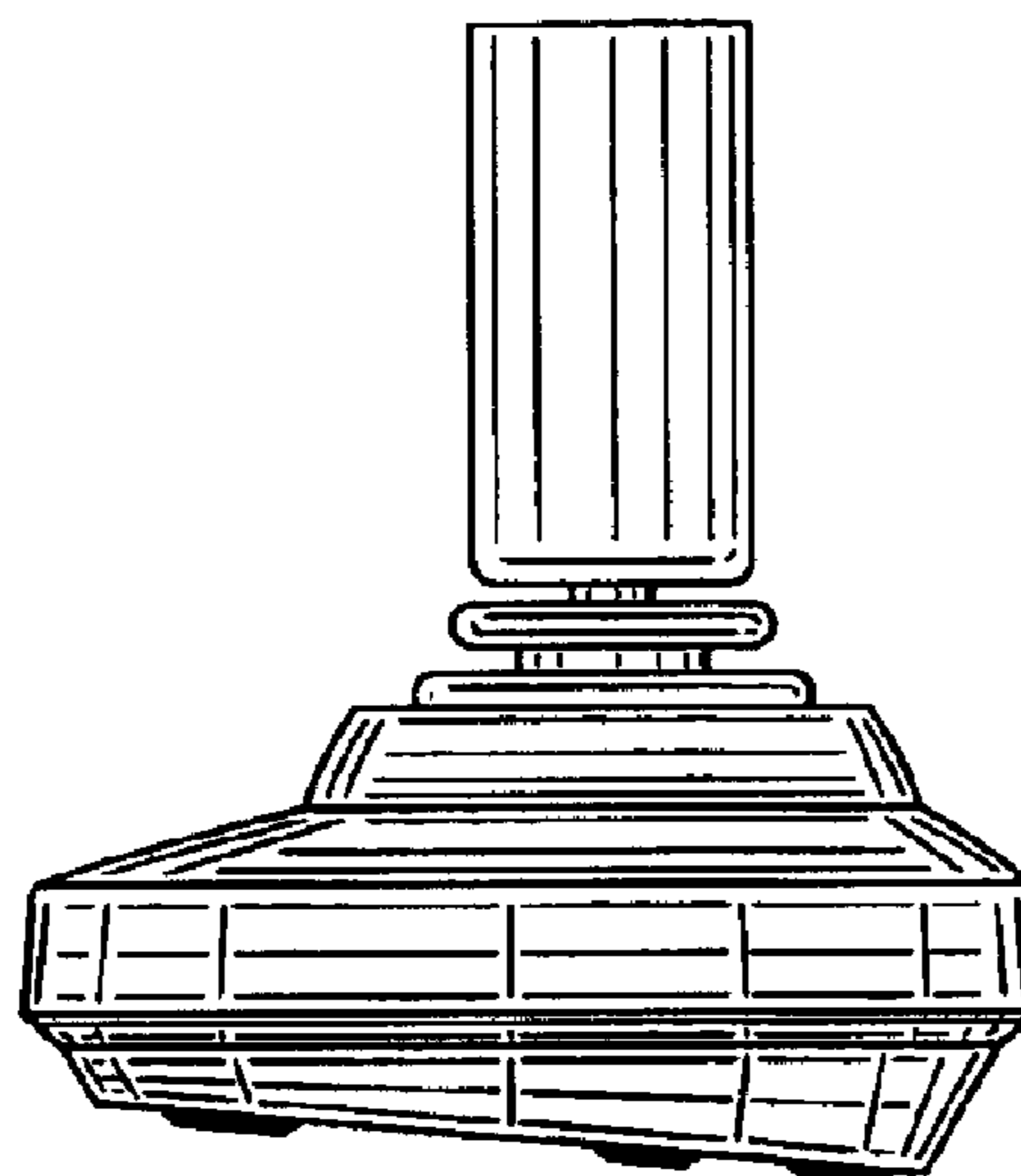


Fig.6

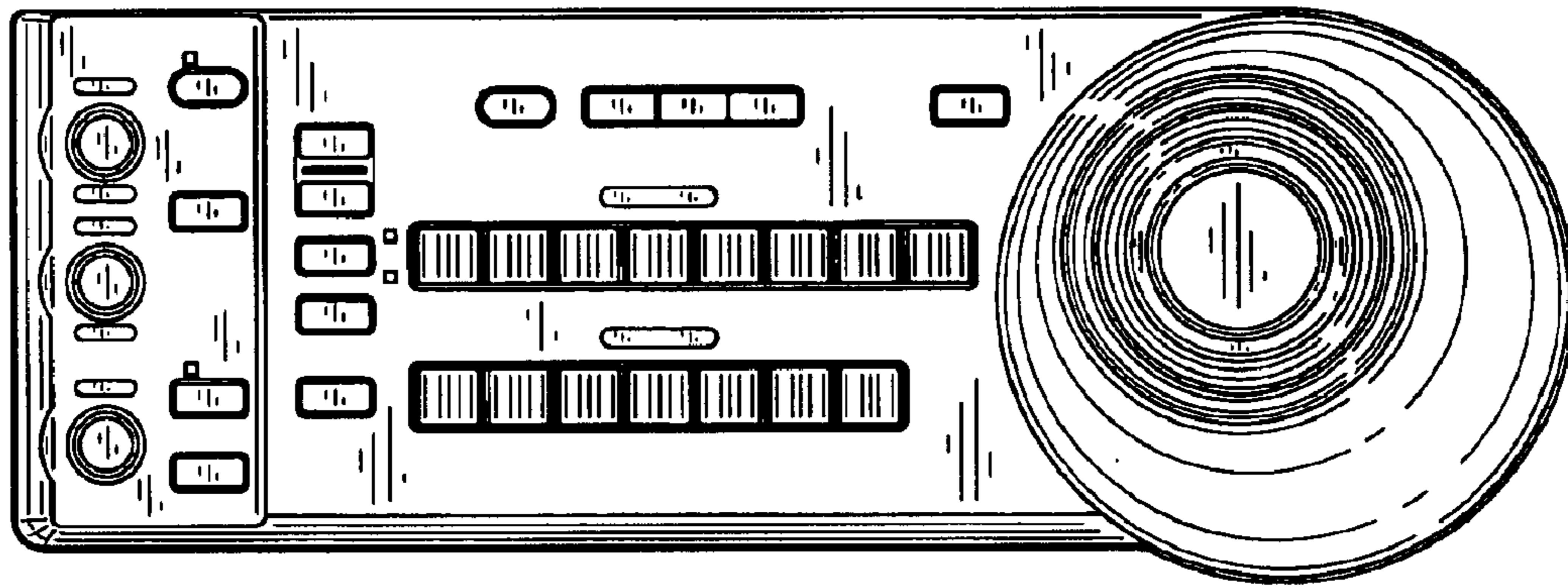


Fig.7

