

US00D503927S

(12) **United States Design Patent**
Yoneyama et al.

(10) **Patent No.:** **US D503,927 S**

(45) **Date of Patent:** **** Apr. 12, 2005**

(54) **ELECTRICAL CONNECTOR**

(75) Inventors: **Kazuo Yoneyama**, Kyoto (JP); **Kenichi Sugino**, Kyoto (JP); **Tsushima Takada**, Kyoto (JP); **Takahide Kawanishi**, Osaka (JP)

(73) Assignee: **Hosiden Corporation**, Osaka (JP)

(**) Term: **14 Years**

(21) Appl. No.: **29/185,103**

(22) Filed: **Jun. 23, 2003**

(30) **Foreign Application Priority Data**

Dec. 27, 2002 (JP) 2002-037209

(51) **LOC (7) Cl.** **13-03**

(52) **U.S. Cl.** **D13/147**

(58) **Field of Search** D13/133, 146,
D13/147, 154; 439/79, 108, 566, 607, 610,
660, 677

(56) **References Cited**

U.S. PATENT DOCUMENTS

4,826,441 A * 5/1989 Palmer, III 439/79
5,017,156 A * 5/1991 Sugiyama 439/607
5,073,130 A * 12/1991 Nakamura 439/607

5,186,633 A * 2/1993 Mosser, III 439/79
5,221,212 A * 6/1993 Davis 439/108
D380,196 S * 6/1997 Aramaki D13/147
6,000,968 A * 12/1999 Hagiwara 439/607
6,508,678 B1 * 1/2003 Yang 439/677
D476,954 S * 7/2003 Nishio et al. D13/147
D481,681 S * 11/2003 Takahashi D13/147

* cited by examiner

Primary Examiner—Stella Reid
Assistant Examiner—Selina Sikder

(74) *Attorney, Agent, or Firm*—Akin Gump Strauss Hauer & Feld, L.L.P.

(57) **CLAIM**

The ornamental design for an electrical connector, as shown and described.

DESCRIPTION

FIG. 1 is a top perspective view of an electrical connector; FIG. 2 is a bottom perspective view thereof; FIG. 3 is a front elevational view thereof; FIG. 4 is a top plan view thereof; FIG. 5 is a rear elevational view thereof; FIG. 6 is a bottom plan view thereof; FIG. 7 is a left side elevational view thereof; and, FIG. 8 is a right side elevational view thereof.

1 Claim, 3 Drawing Sheets

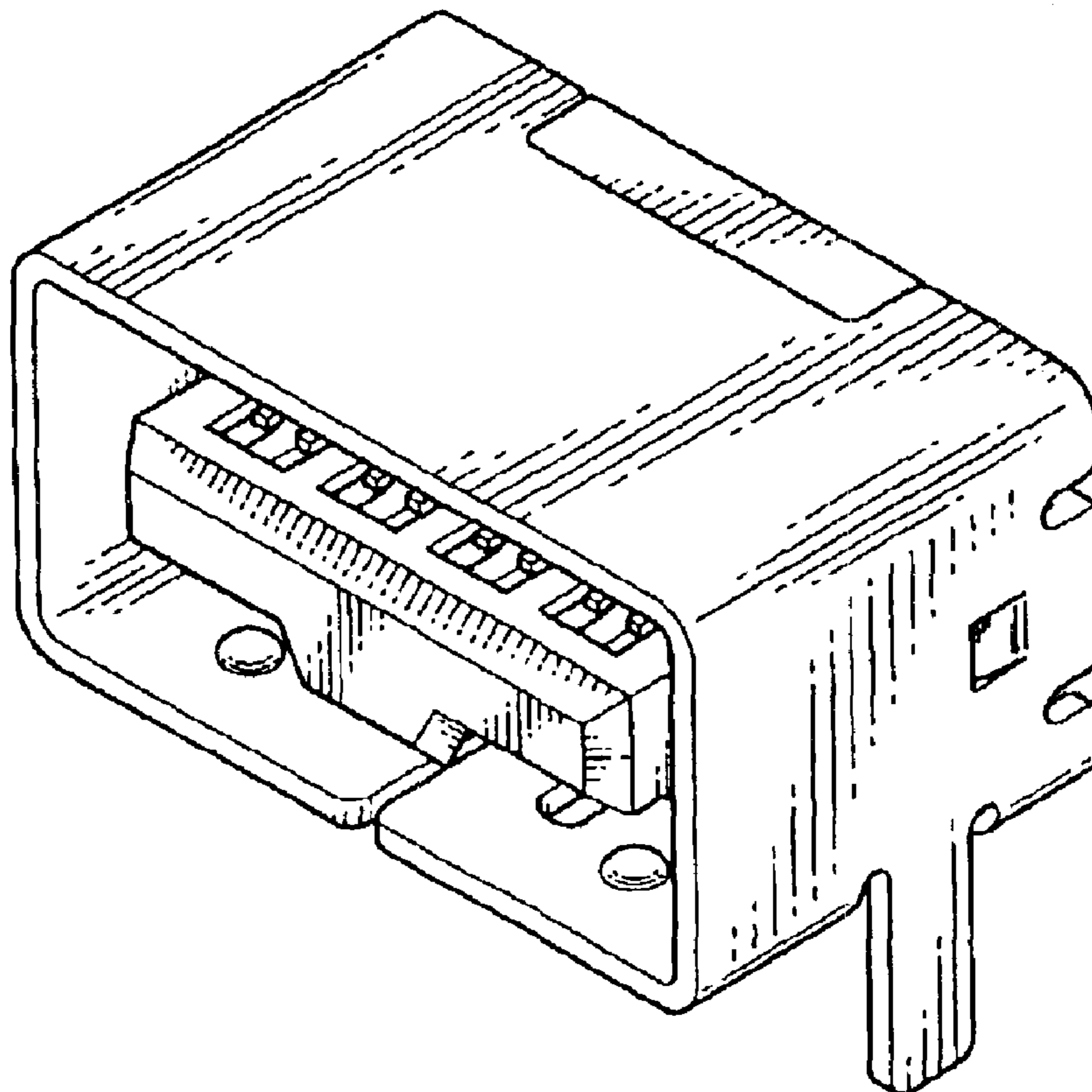


Fig. 1

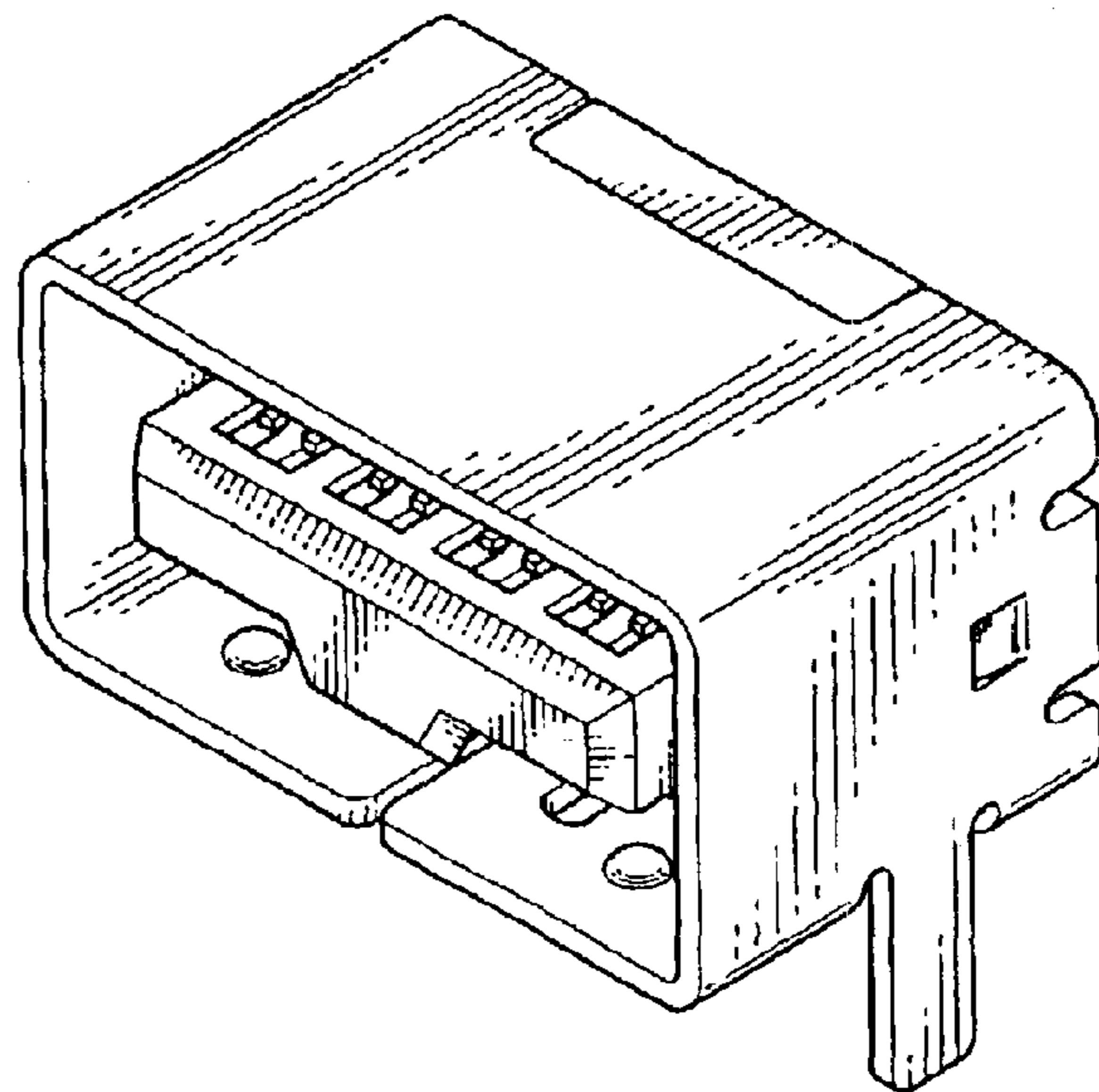


Fig. 2

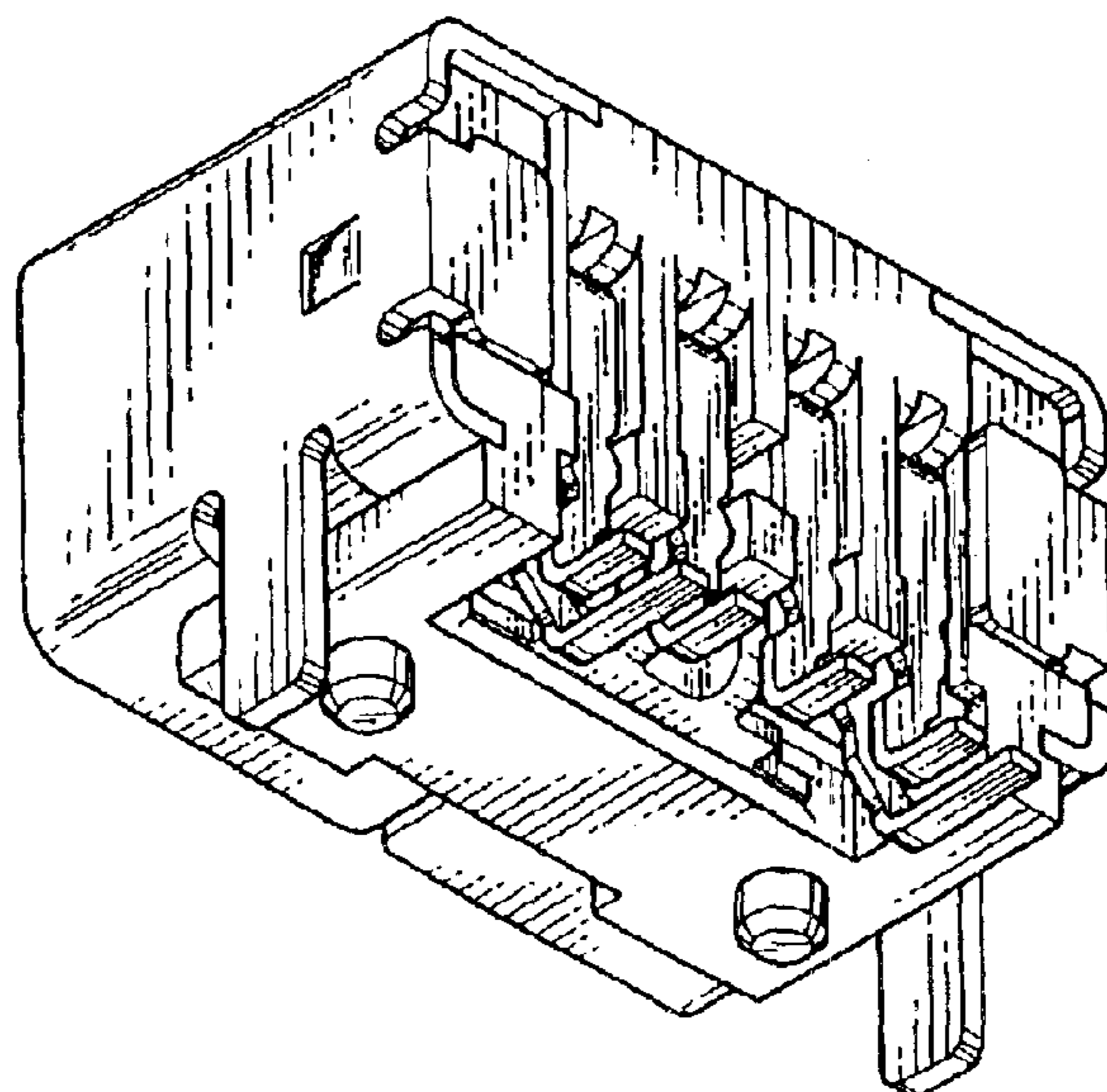


Fig. 3

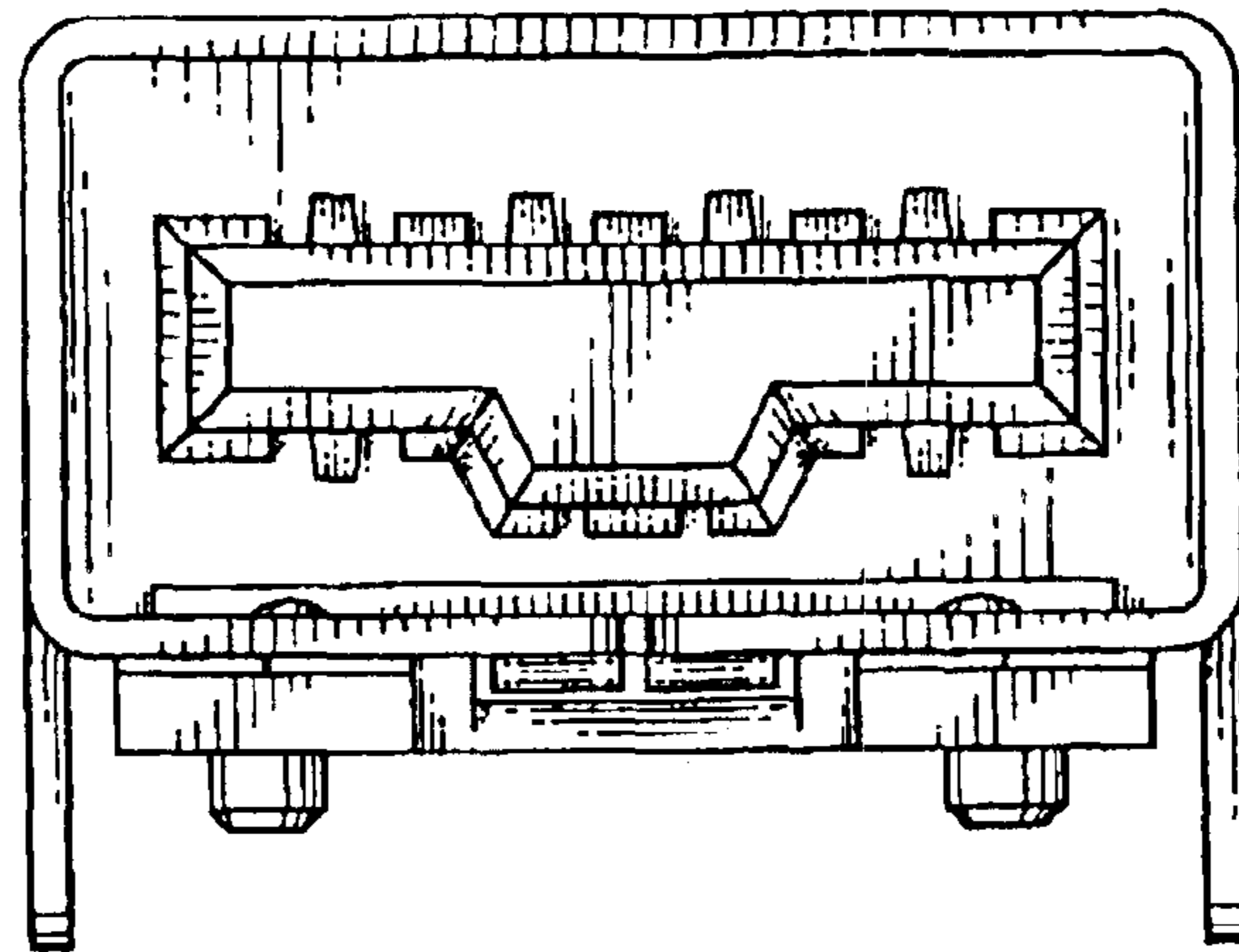


Fig. 4

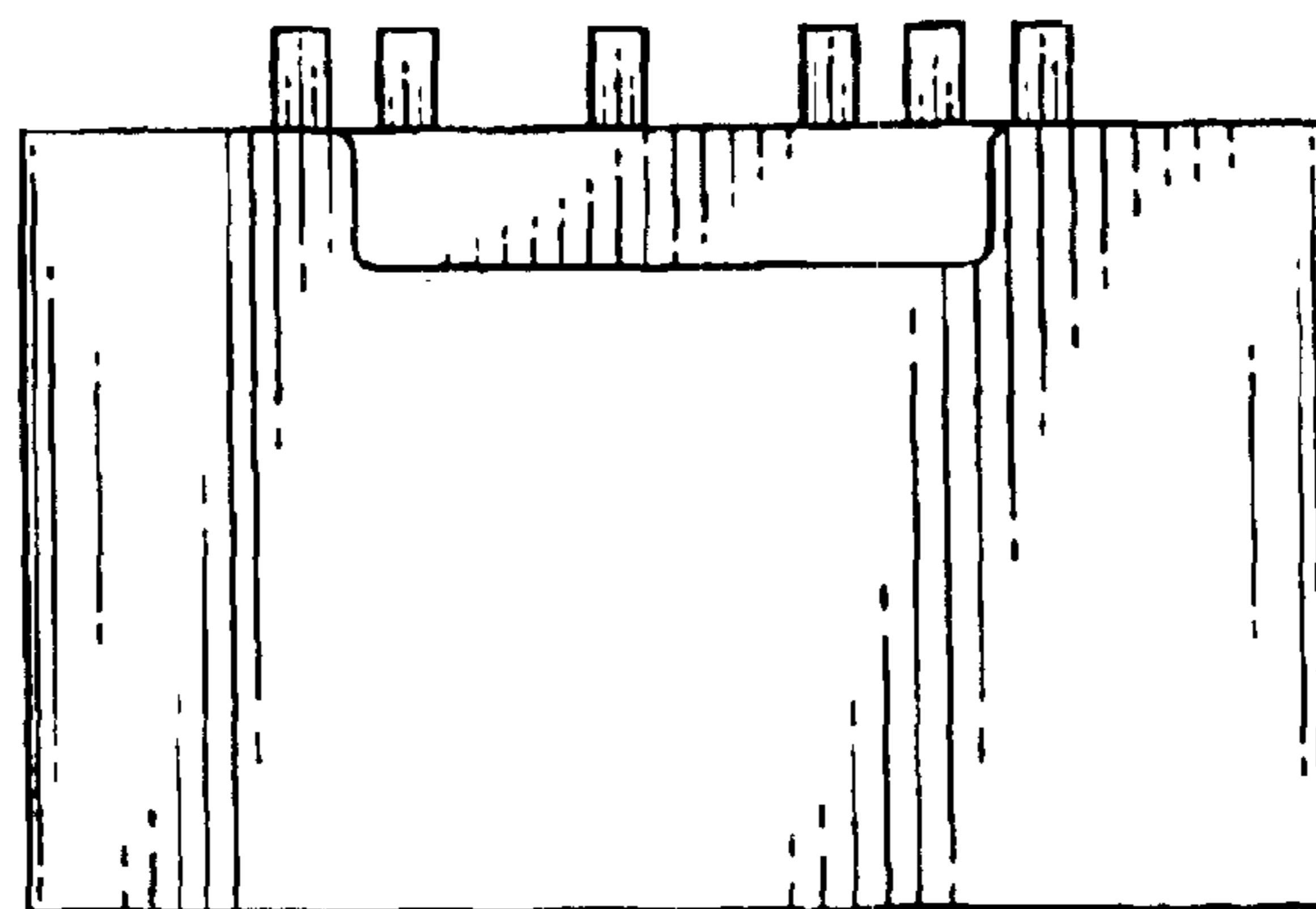


Fig. 5

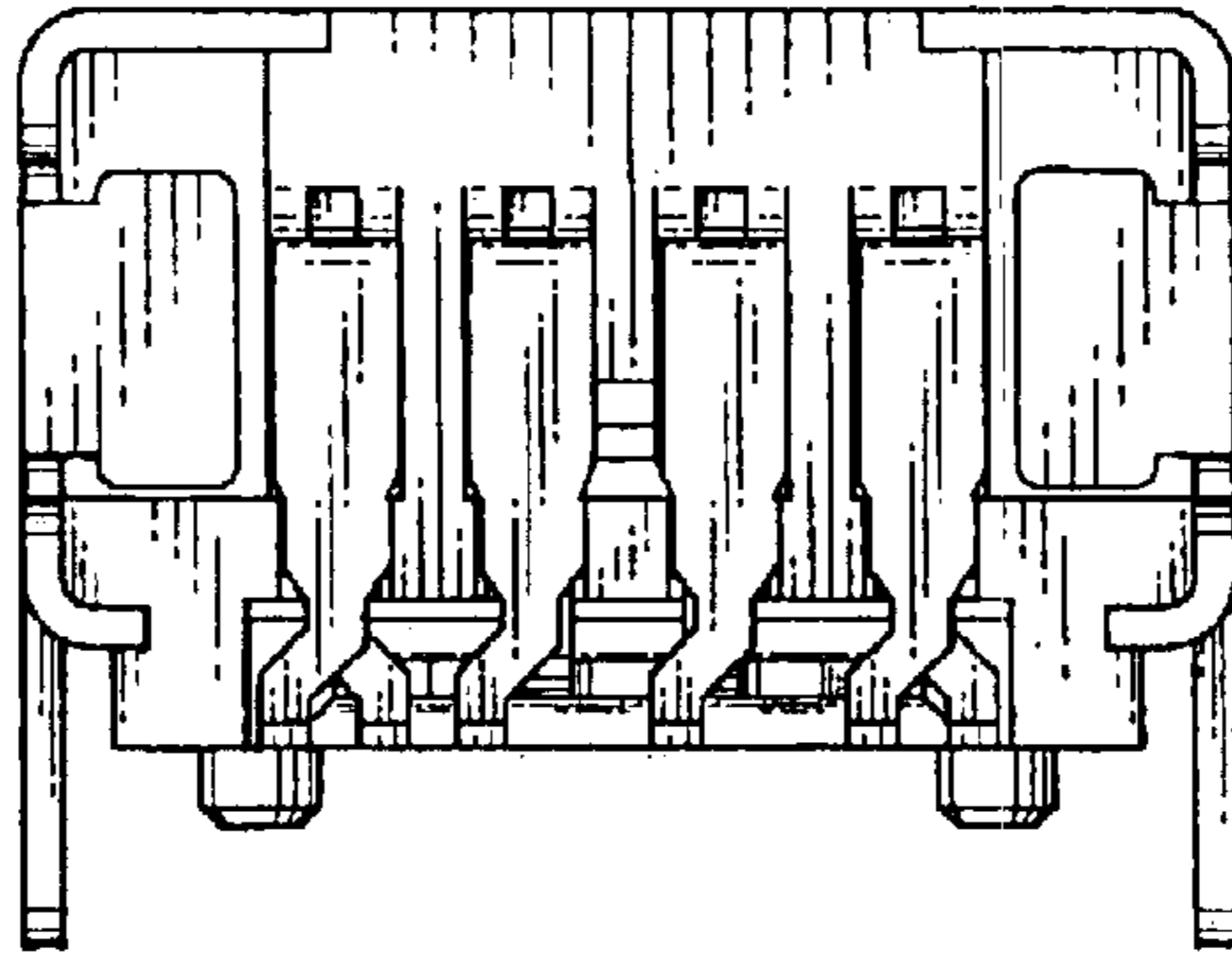


Fig. 6

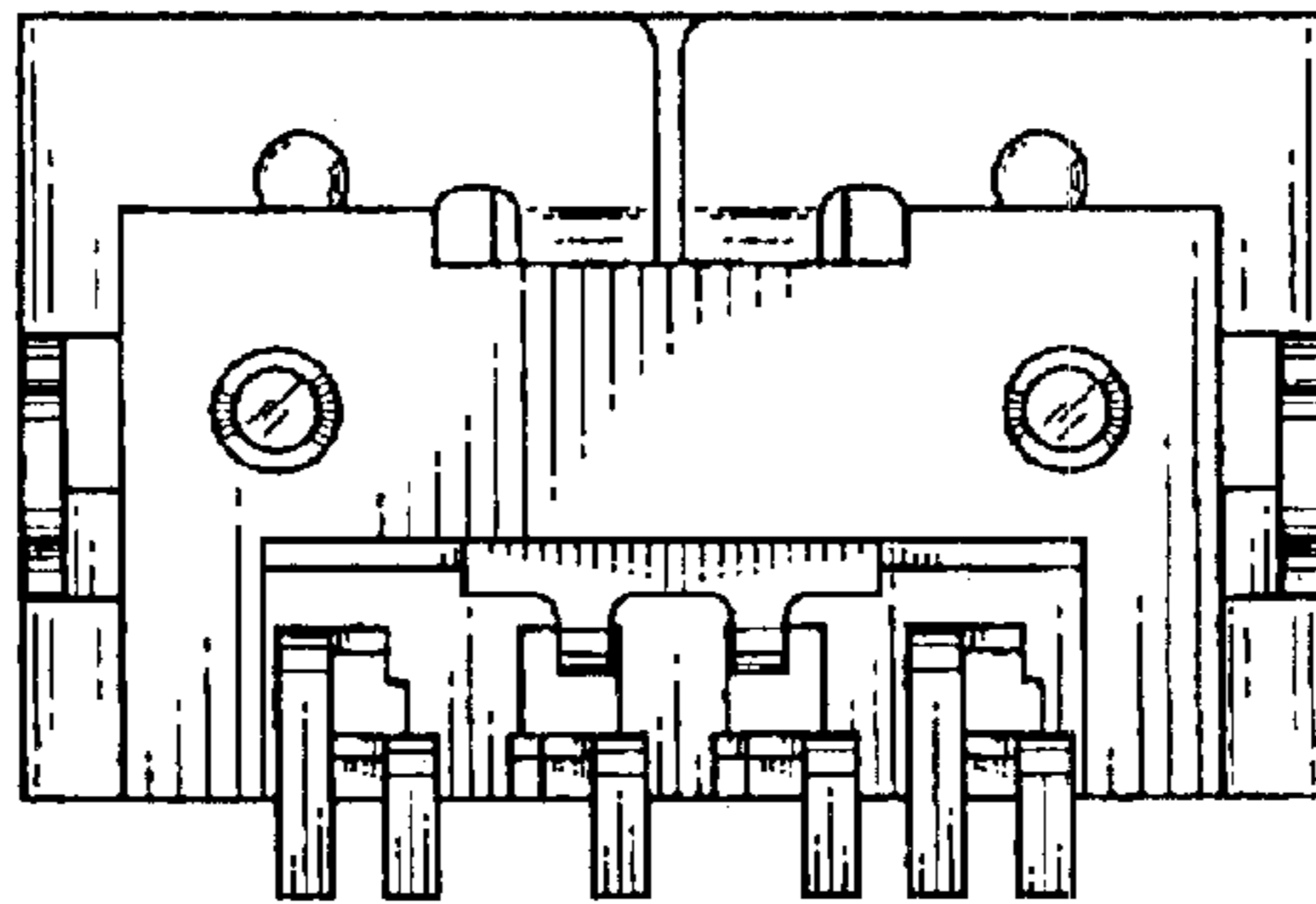


Fig. 7

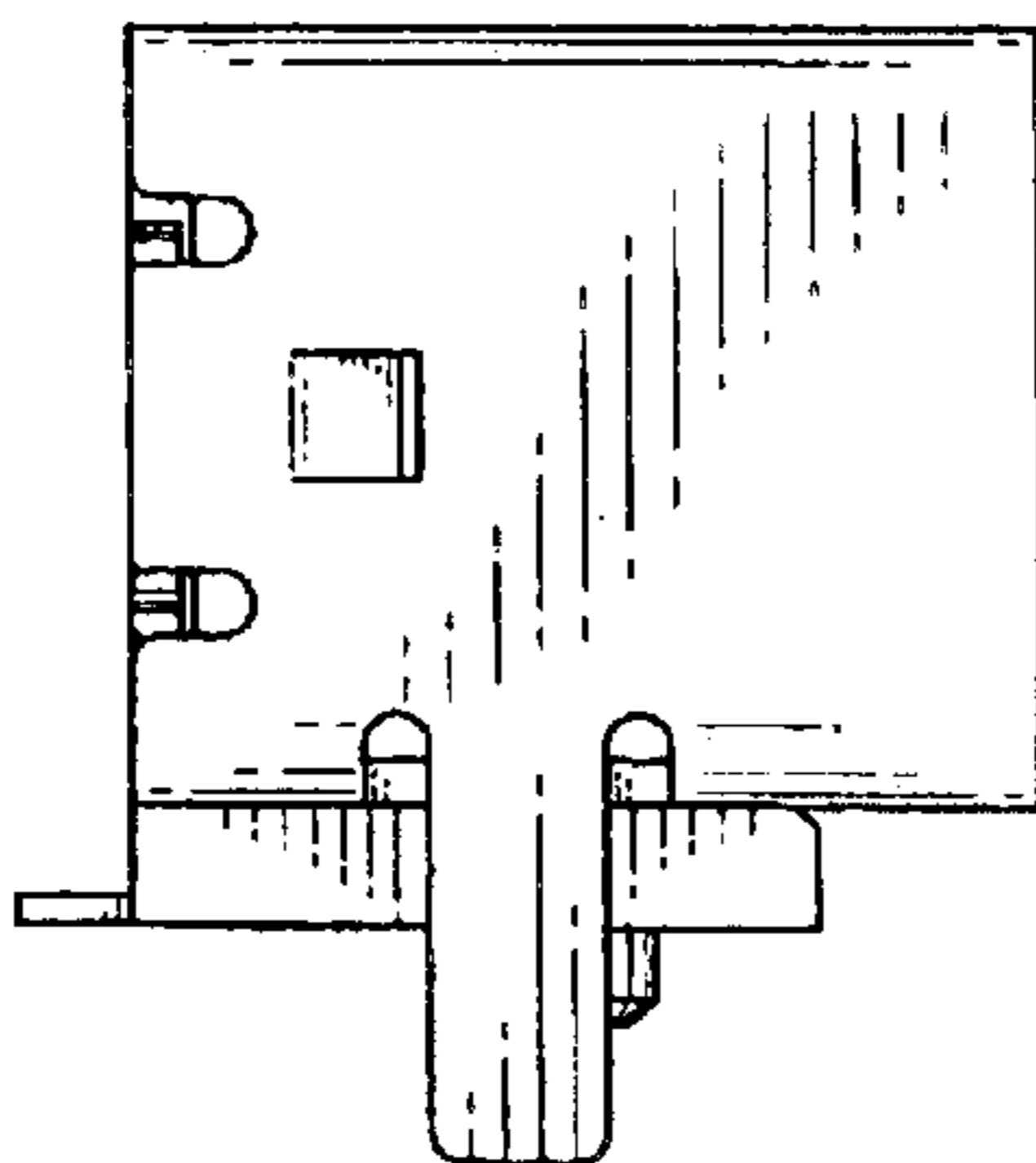


Fig. 8

