

US00D503926S

(12) **United States Design Patent**
Marrs

(10) **Patent No.:** **US D503,926 S**
(45) **Date of Patent:** **** Apr. 12, 2005**

(54) **DUPLEX CLIP FOR A FIBER OPTIC CONNECTOR**

6,357,934 B1 3/2002 Driscoll et al.
6,409,392 B1 * 6/2002 Lampert et al. 385/56
6,672,898 B2 * 1/2004 Kahle et al. 439/540.1

(75) Inventor: **Samuel M. Marrs**, Bradley, IL (US)

(73) Assignee: **Panduit Corp.**, Tinley Park, IL (US)

(**) Term: **14 Years**

(21) Appl. No.: **29/197,994**

(22) Filed: **Jan. 23, 2004**

(51) **LOC (7) Cl.** **13-03**

(52) **U.S. Cl.** **D13/133**

(58) **Field of Search** D13/133, 146,
D13/154; D8/395, 354, 380, 381; D26/138;
248/304, 250, 68.1, 251; 385/55, 136, 137,
147

(56) **References Cited**

U.S. PATENT DOCUMENTS

4,798,440 A	1/1989	Hoffer et al.	
4,953,929 A *	9/1990	Basista et al.	385/55
5,123,071 A	6/1992	Mulholland et al.	
5,475,781 A	12/1995	Chang et al.	
5,528,712 A	6/1996	Belenkiy et al.	
5,574,812 A *	11/1996	Beier et al.	385/78
5,579,425 A	11/1996	Lampert et al.	
D383,380 S	9/1997	Kempf et al.	
5,675,682 A	10/1997	De Marchi	
6,024,498 A *	2/2000	Carlisle et al.	385/56
6,212,324 B1	4/2001	Lin et al.	
6,250,817 B1 *	6/2001	Lampert et al.	385/56

OTHER PUBLICATIONS

Corning Cable Systems' LC Compatible Ultra PC Cable Assemblies Brochure, 2 pages, 2001.

* cited by examiner

Primary Examiner—Alan P. Douglas
Assistant Examiner—Cynthia M. Chin

(74) *Attorney, Agent, or Firm*—Robert A. McCann; Christopher S. Clancy

(57) **CLAIM**

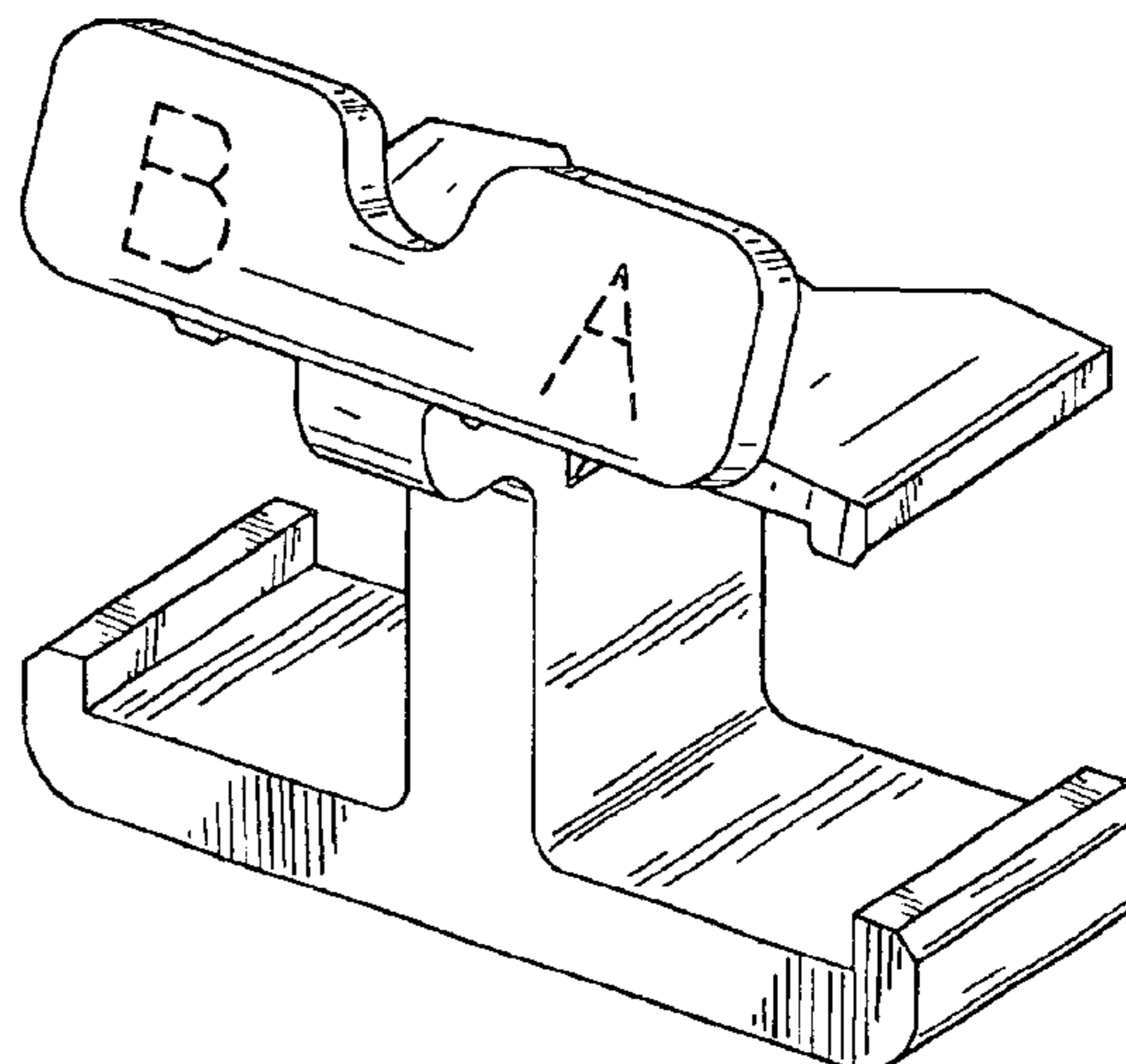
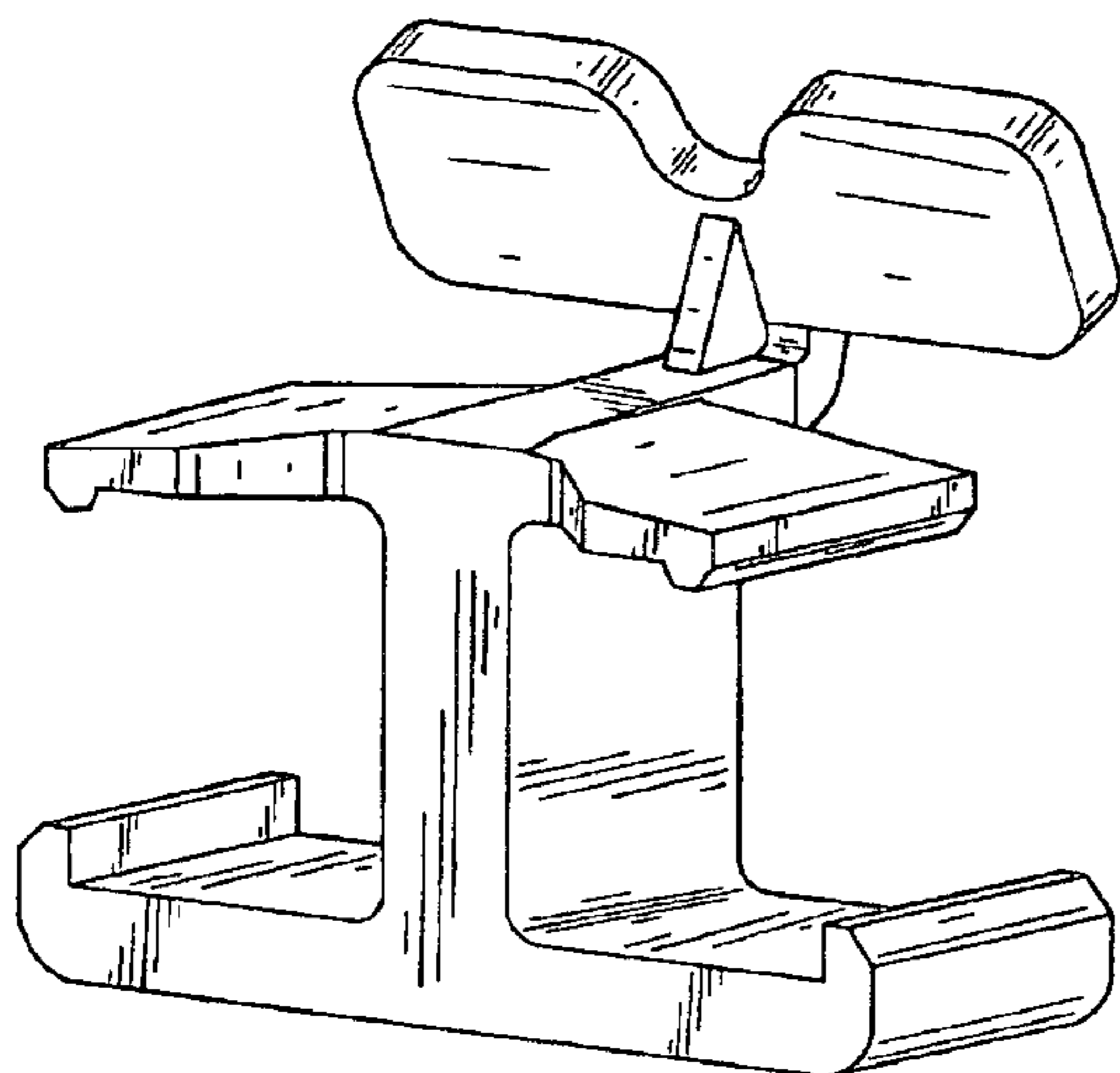
The ornamental design for a duplex clip for a fiber optic connector, as shown and described.

DESCRIPTION

FIG. 1 is a top right front perspective view of a duplex clip for a fiber optic connector showing our new design; FIG. 2 is a top left rear perspective view thereof; FIG. 3 is a front view thereof; FIG. 4 is a rear view thereof; FIG. 5 is a right side view thereof; FIG. 6 is a left side view thereof; FIG. 7 is a top view thereof; and, FIG. 8 is a bottom view thereof.

The broken line showing of environmental structure is for illustrative purposes only and forms no part of the claimed design.

1 Claim, 4 Drawing Sheets



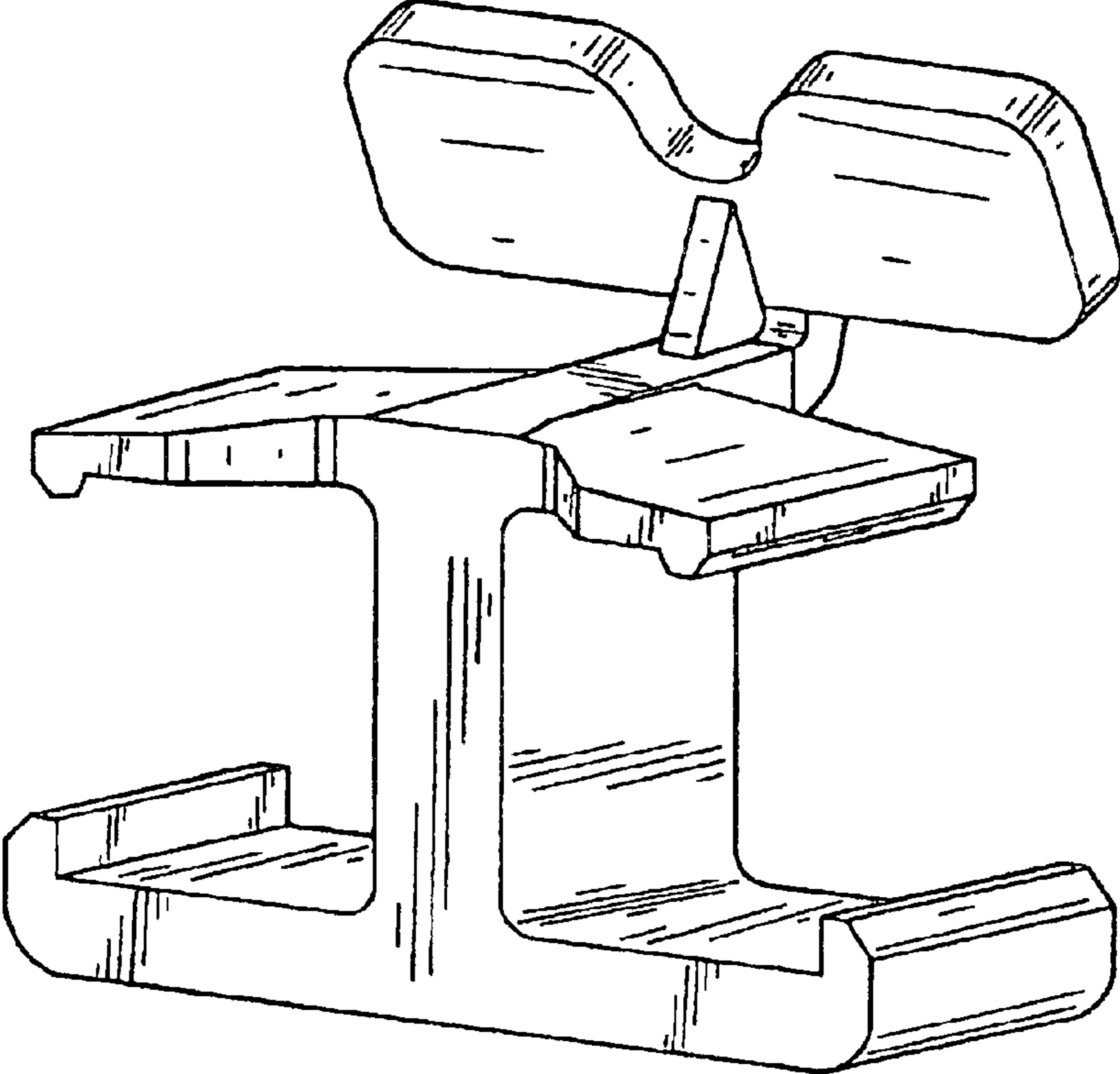


FIG. 1

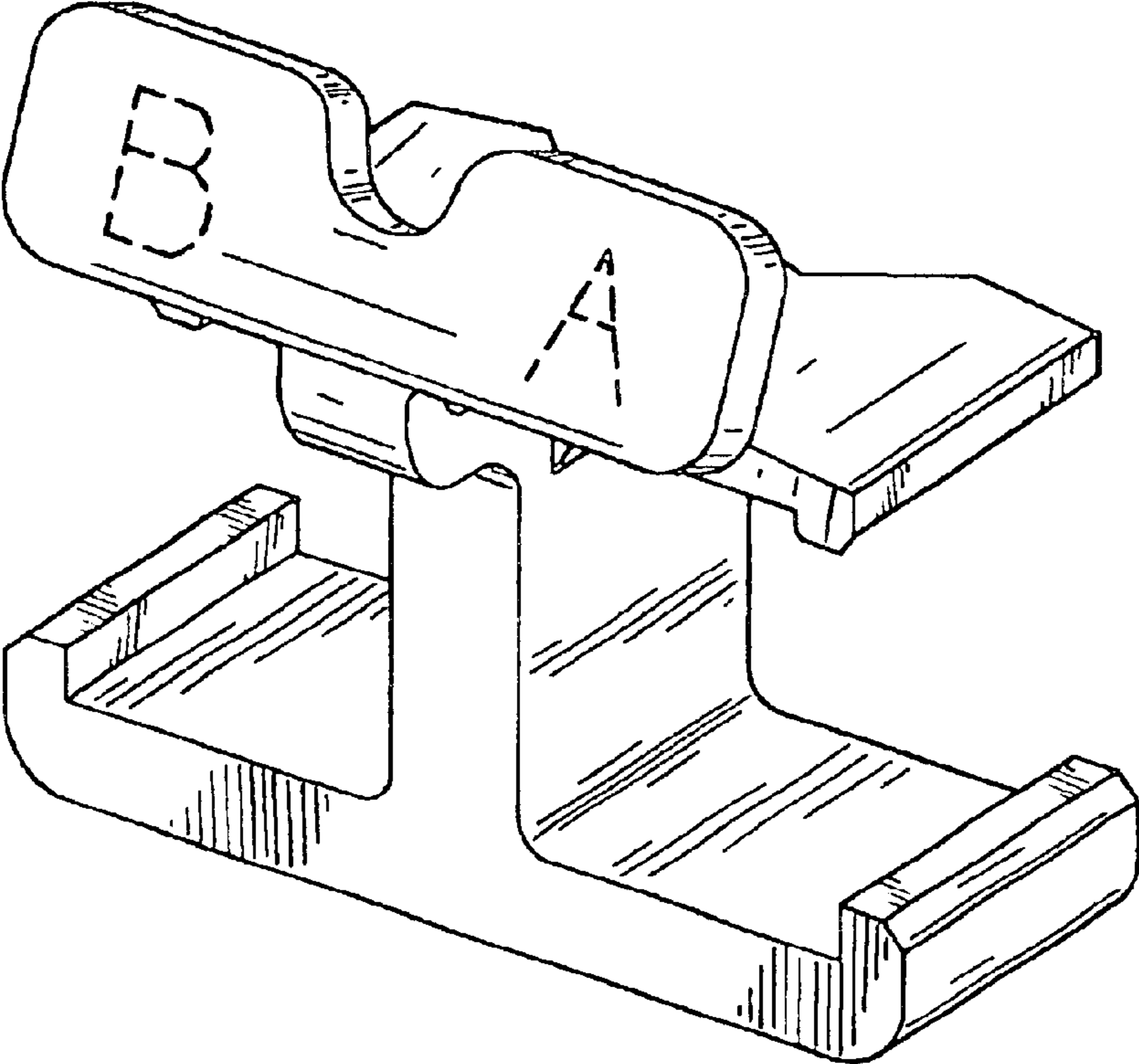


FIG. 2

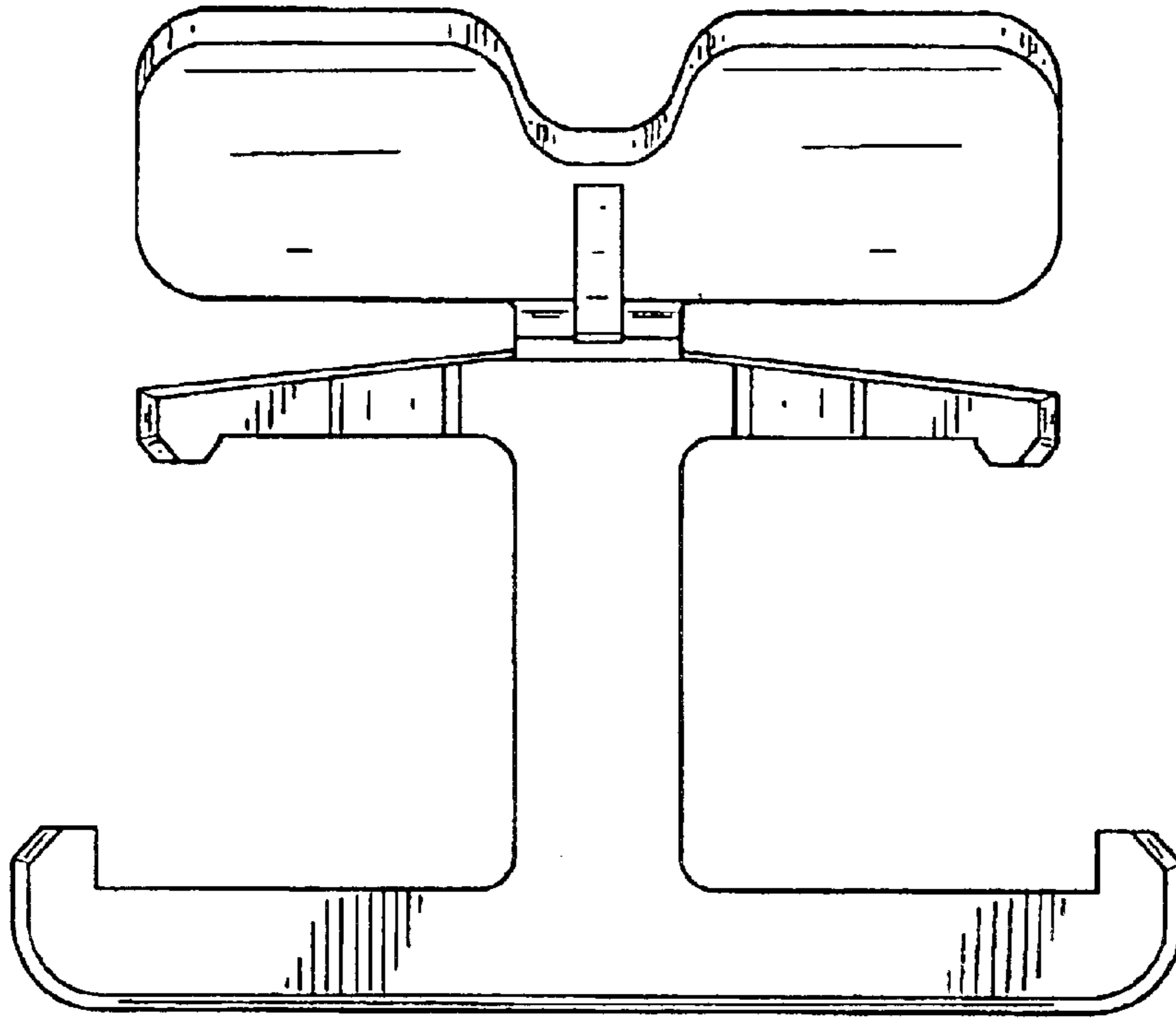


FIG. 3

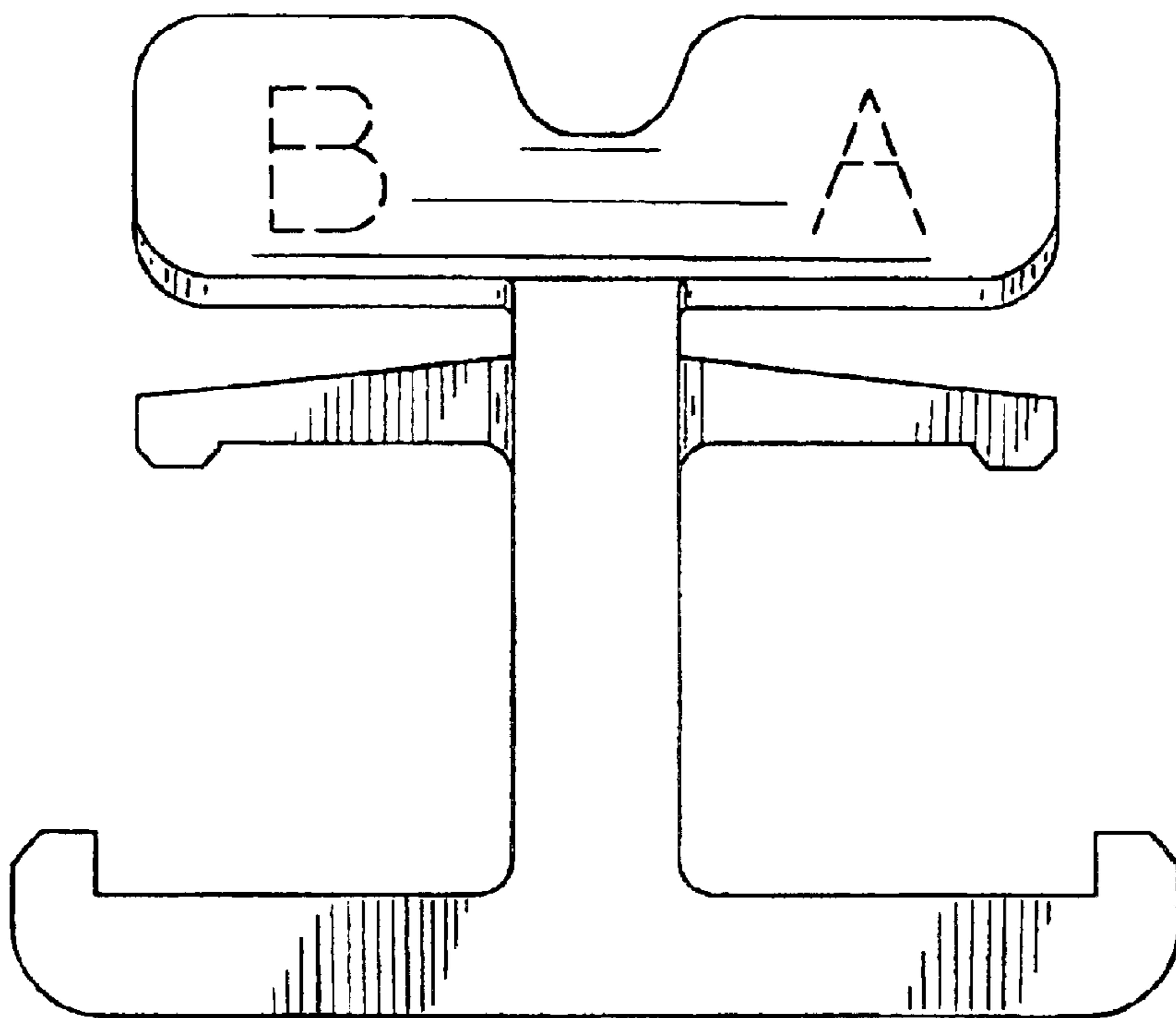


FIG. 4

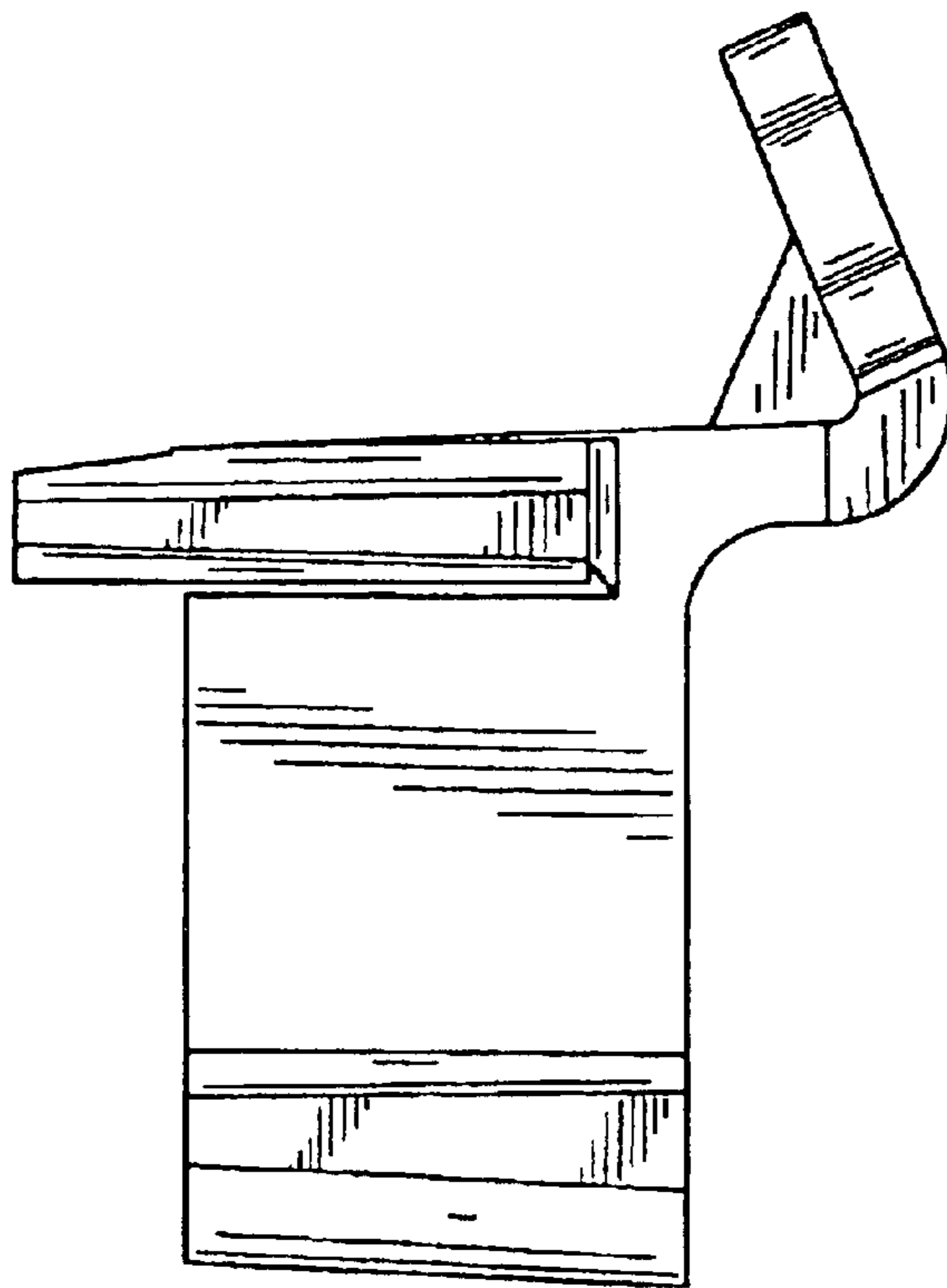


FIG. 5

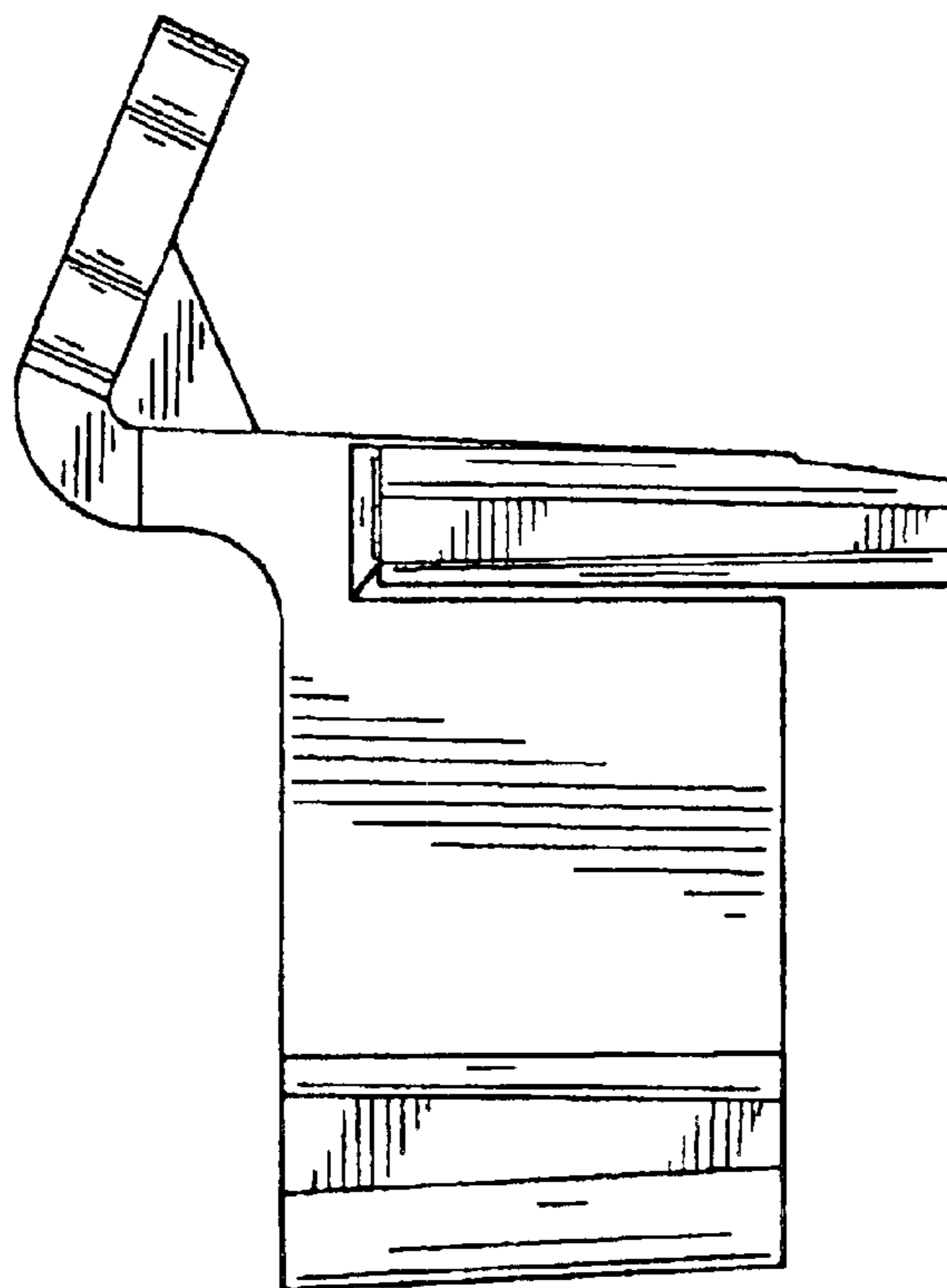


FIG. 6

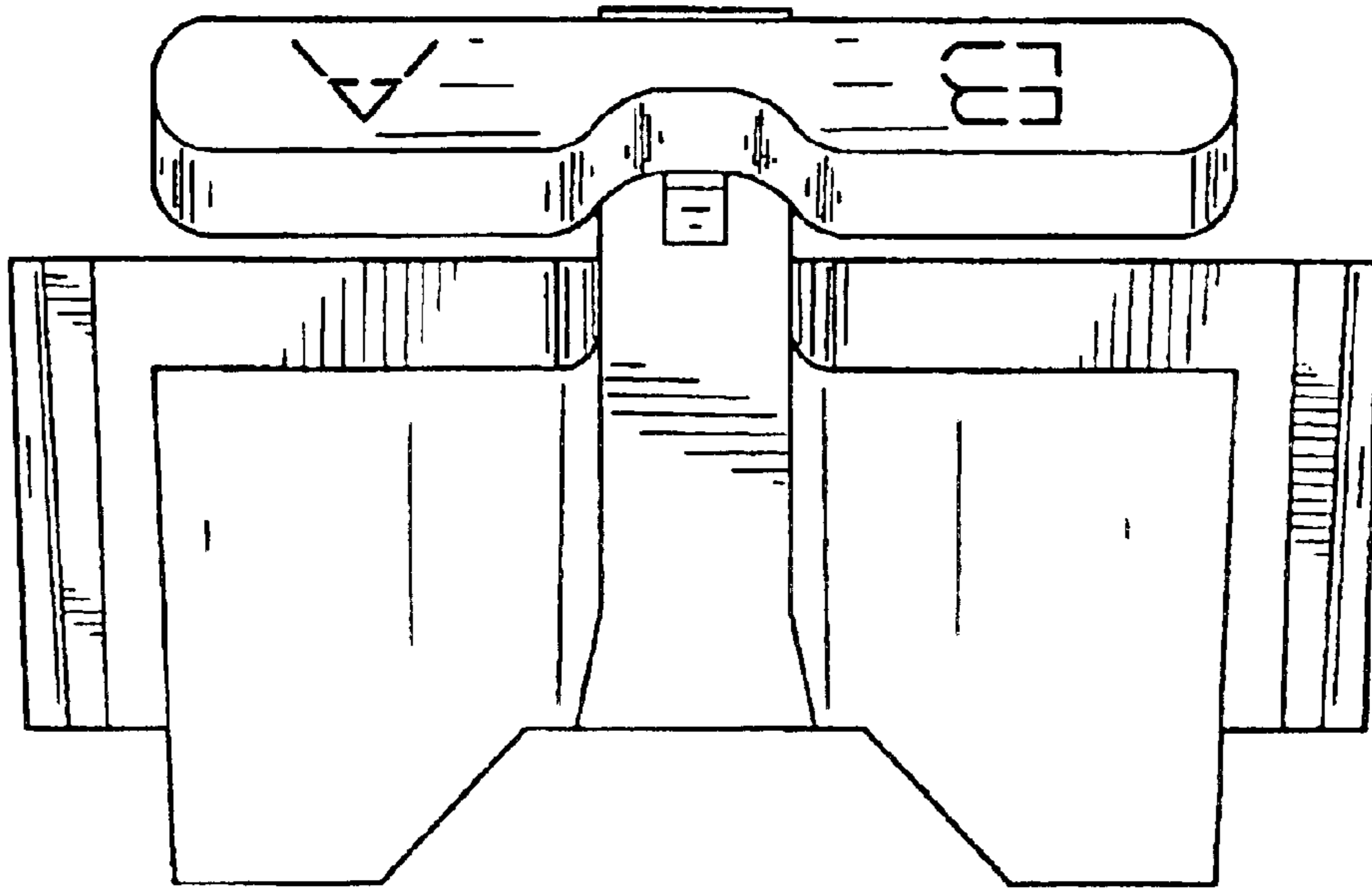


FIG. 7

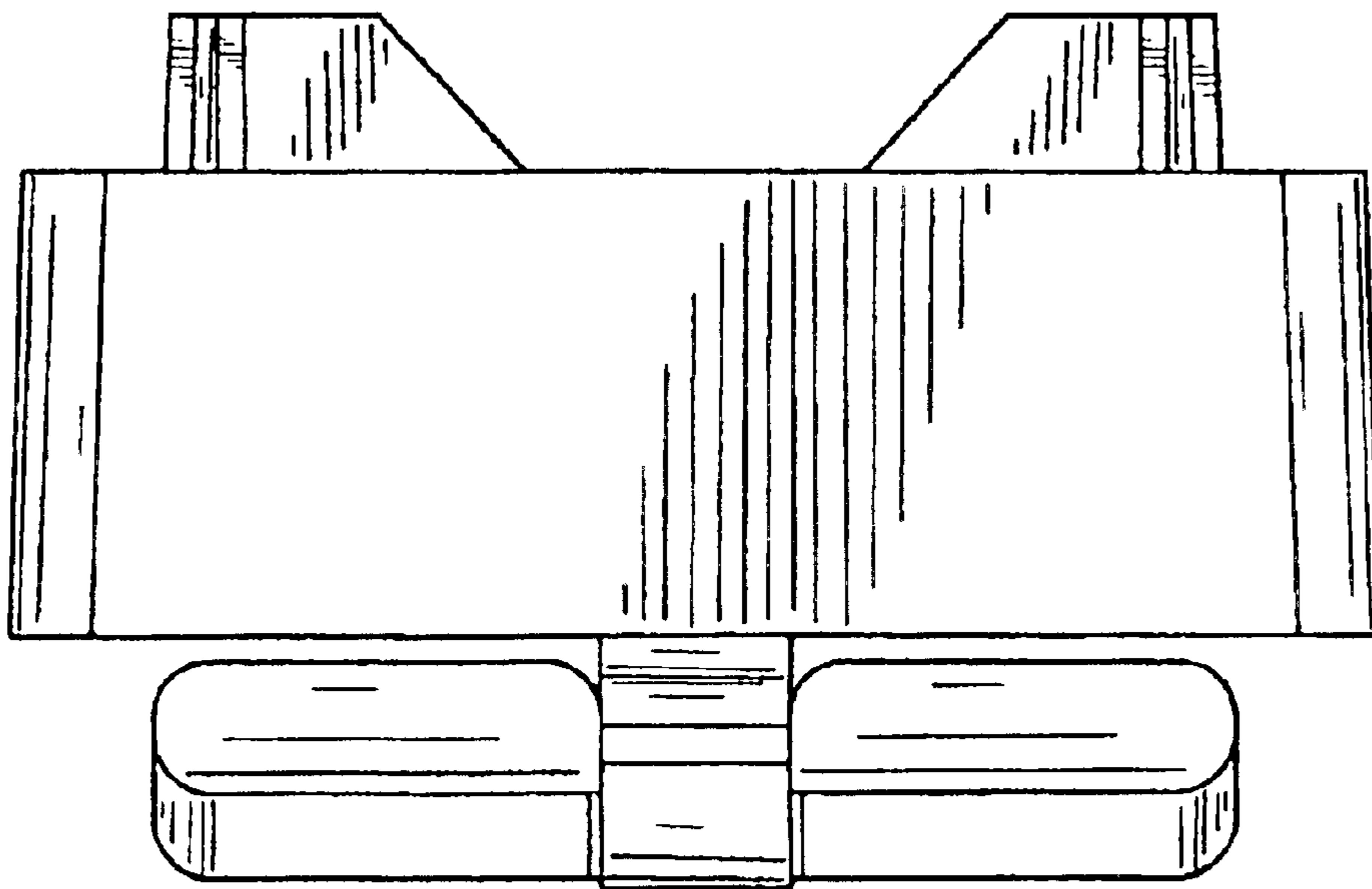


FIG. 8