

US00D503925S

(12) **United States Design Patent**  
**Wu**

(10) **Patent No.:** **US D503,925 S**

(45) **Date of Patent:** **\*\* Apr. 12, 2005**

(54) **CONNECTOR OF LIGHT SET**

(75) **Inventor:** **James Wu, Hsin-Chu (TW)**

(73) **Assignee:** **Willis Electric Co., Ltd., Hsin-Chu (TW)**

(\*\*) **Term:** **14 Years**

(21) **Appl. No.:** **29/177,560**

(22) **Filed:** **Mar. 12, 2003**

(51) **LOC (7) Cl.** ..... **13-03**

(52) **U.S. Cl.** ..... **D13/133**

(58) **Field of Search** ..... D13/101, 110,  
D13/114, 118, 107-108, 199; 320/110-115;  
362/427, 404, 406, 804, 287; 363/146;  
336/92

(56) **References Cited**

**U.S. PATENT DOCUMENTS**

1,903,421 A \* 4/1933 Bernhardt et al. .... 248/345

4,333,132 A \* 6/1982 Paley ..... 362/421  
4,501,557 A \* 2/1985 Tamura et al. .... 433/79  
5,156,456 A \* 10/1992 Hoftman et al. .... 362/400  
5,530,627 A \* 6/1996 Morgan ..... 362/12  
6,030,103 A \* 2/2000 Gampe et al. .... 362/404  
2002/0109996 A1 \* 8/2002 Fan Wong ..... 362/427

\* cited by examiner

*Primary Examiner*—Stella Reid

*Assistant Examiner*—Daniel Bui

(74) *Attorney, Agent, or Firm*—McGlew and Tuttle, P.C.

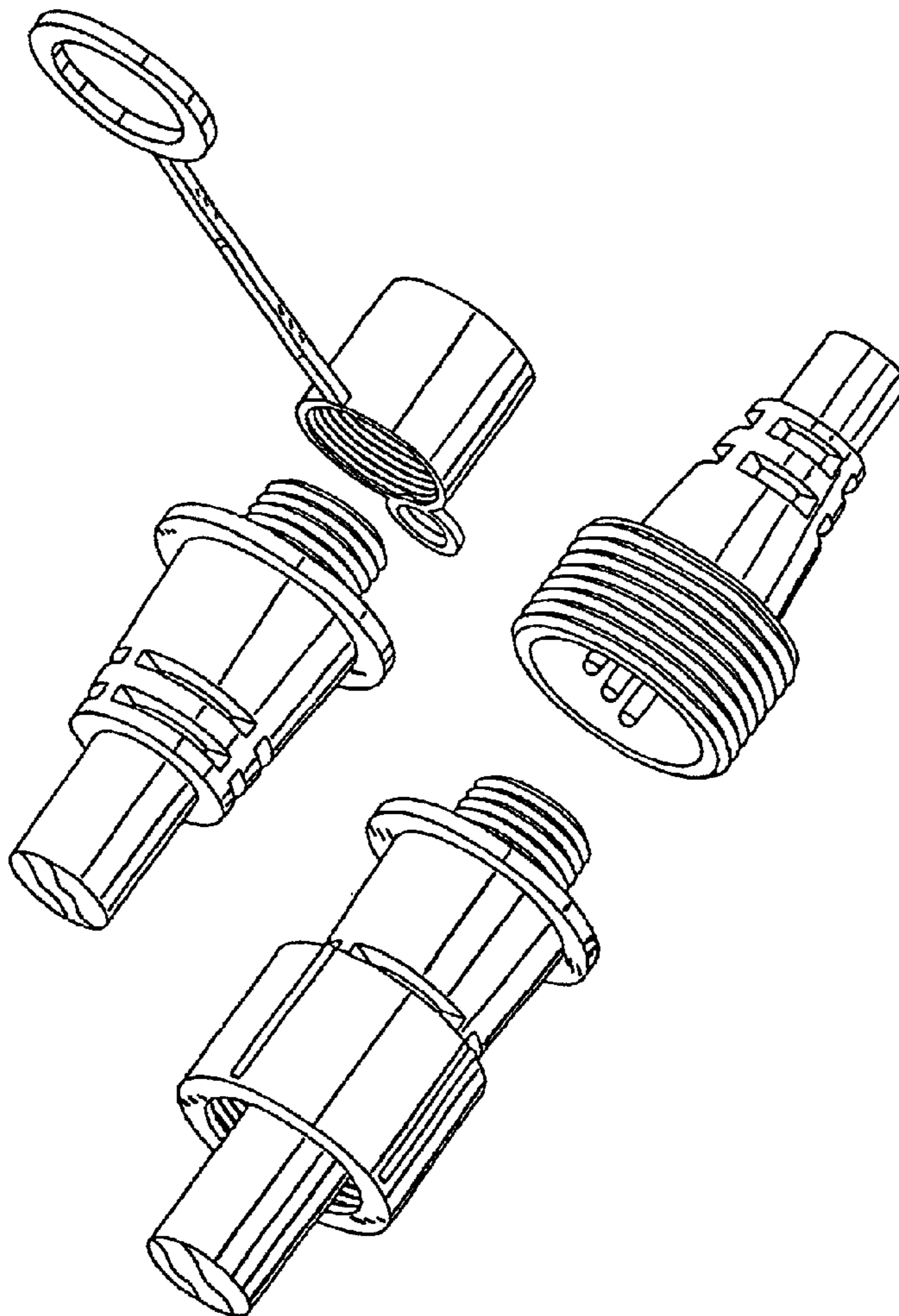
(57) **CLAIM**

The ornamental design of connector of light set, as shown and described.

**DESCRIPTION**

The FIGURE is a perspective view of a connector of light set, showing my new design. It being understood that the opposite side of the FIGURE shown is a mirror image thereof.

**1 Claim, 1 Drawing Sheet**



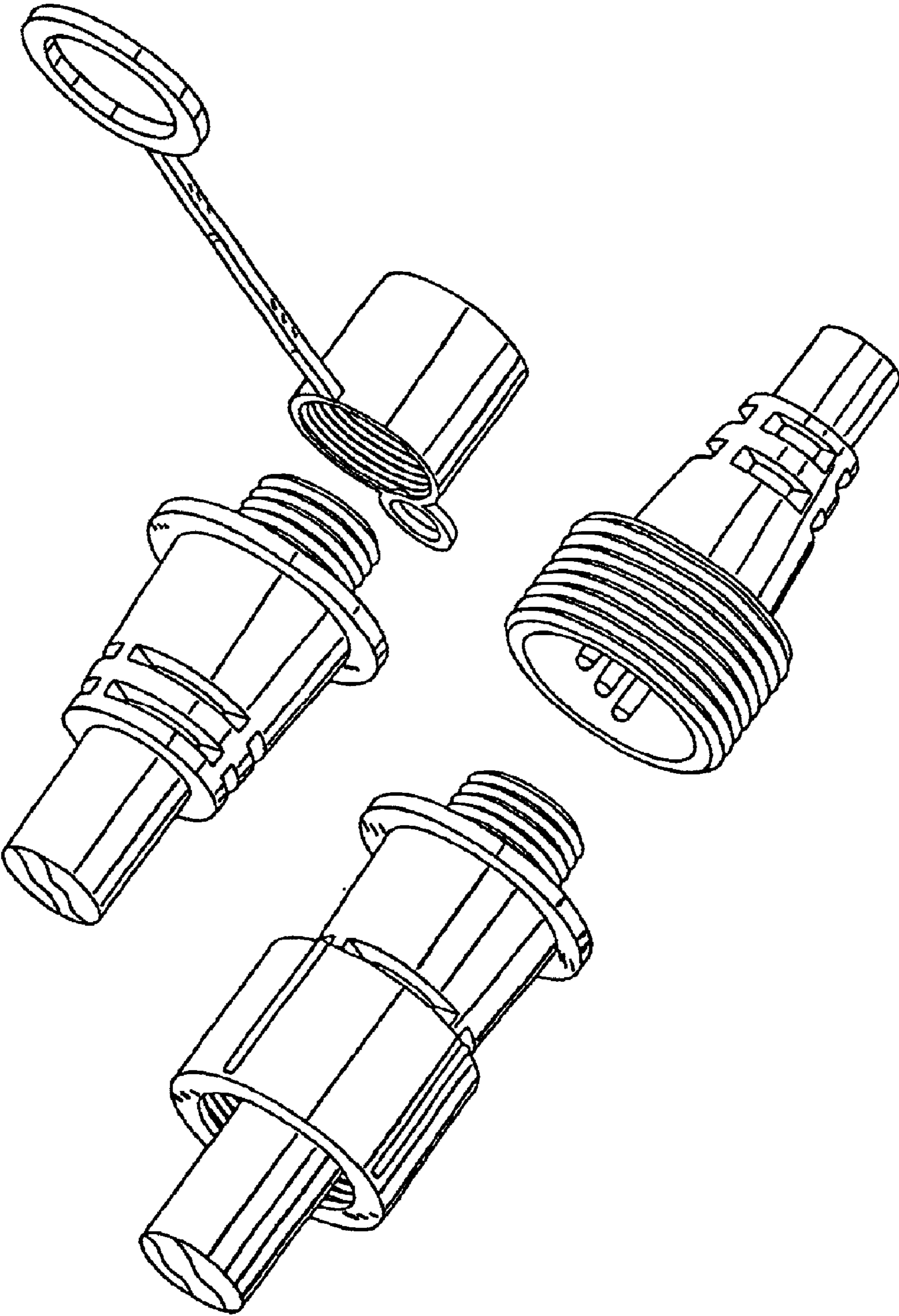


FIG. 1