

US00D503924S

(12) **United States Design Patent**
Eriksson

(10) **Patent No.:** **US D503,924 S**
(45) **Date of Patent:** **** Apr. 12, 2005**

(54) **HANDLE FOR A BATTERY TERMINAL
POST CLAMP**

D463,359 S * 9/2002 Nawrozki D13/107

* cited by examiner

(76) Inventor: **Lars Eriksson**, Hättinge 3445, S-635
05 Eskilstuna (SE)

Primary Examiner—Alan P. Douglas

Assistant Examiner—Susan M Lee

(**) Term: **14 Years**

(74) *Attorney, Agent, or Firm*—Birch, Stewart, Kolasch &
Birch, LLP

(21) Appl. No.: **29/200,293**

(57) **CLAIM**

(22) Filed: **Feb. 27, 2004**

The ornamental design for a handle for a battery terminal
post clamp, as shown and described.

(51) **LOC (7) Cl.** **13-02**

(52) **U.S. Cl.** **D13/120; D13/156**

(58) **Field of Search** D13/120, 107,
D13/119, 103, 110, 156, 118; 320/107;
439/761–766, 521, 522; D8/356; 292/99

DESCRIPTION

(56) **References Cited**

FIG. 1 is a left side view of a handle for a battery terminal
post clamp showing my new design in the open position,
wherein the broken line showing is for illustrative purposes
only and forms no part of the claimed design;

FIG. 2 is a left side view thereof;

FIG. 3 is a top plan view thereof;

FIG. 4 is a back elevational view thereof;

FIG. 5 is a front elevational view thereof;

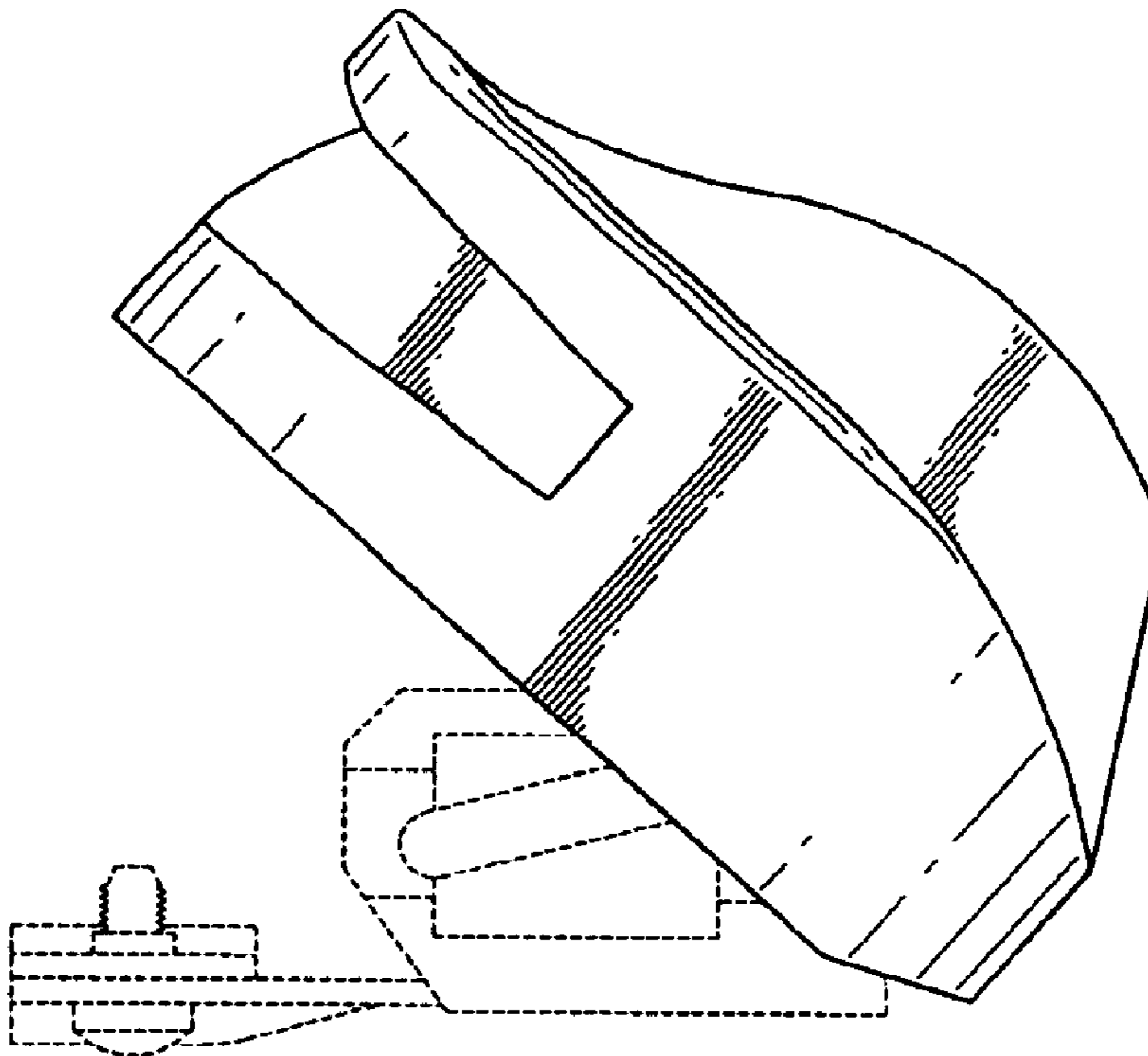
FIG. 6 is a bottom plan view thereof, wherein the broken line
showing is for illustrative purposes only and forms no part
of the claimed design; and,

FIG. 7 is a right side view thereof.

U.S. PATENT DOCUMENTS

- 1,631,555 A * 6/1927 Seward et al. 292/99
- 3,112,148 A * 11/1963 Wochner 439/521
- D286,767 S * 11/1986 Eriksson D13/120
- D316,398 S * 4/1991 Hill D13/120
- D334,269 S * 3/1993 Jones et al. D34/33
- D404,028 S * 1/1999 Holbrook D13/120
- D406,099 S * 2/1999 Ng et al. D13/107
- D421,740 S * 3/2000 Peterson et al. D13/120

1 Claim, 3 Drawing Sheets



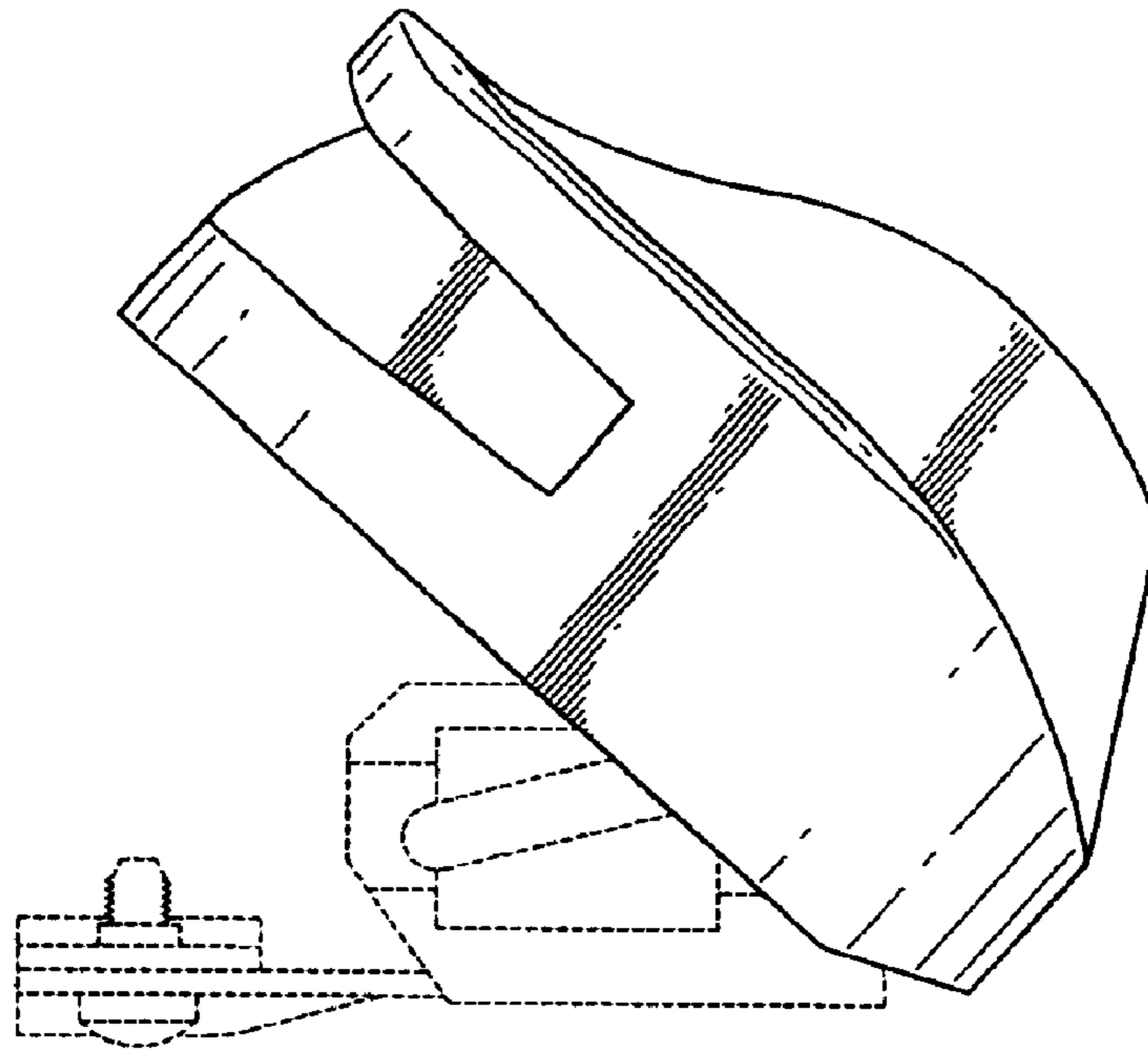


FIG. 1

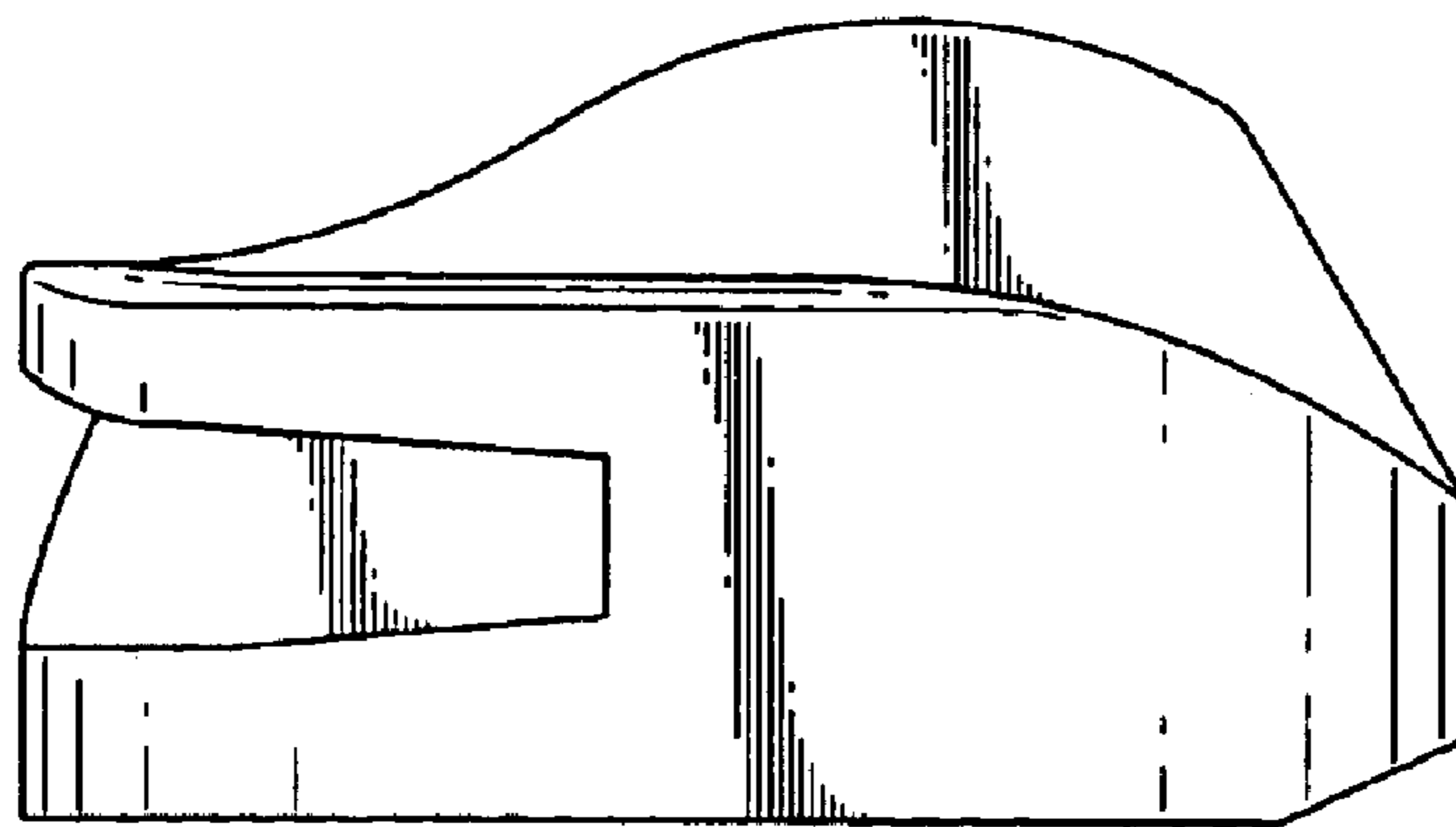


FIG. 2

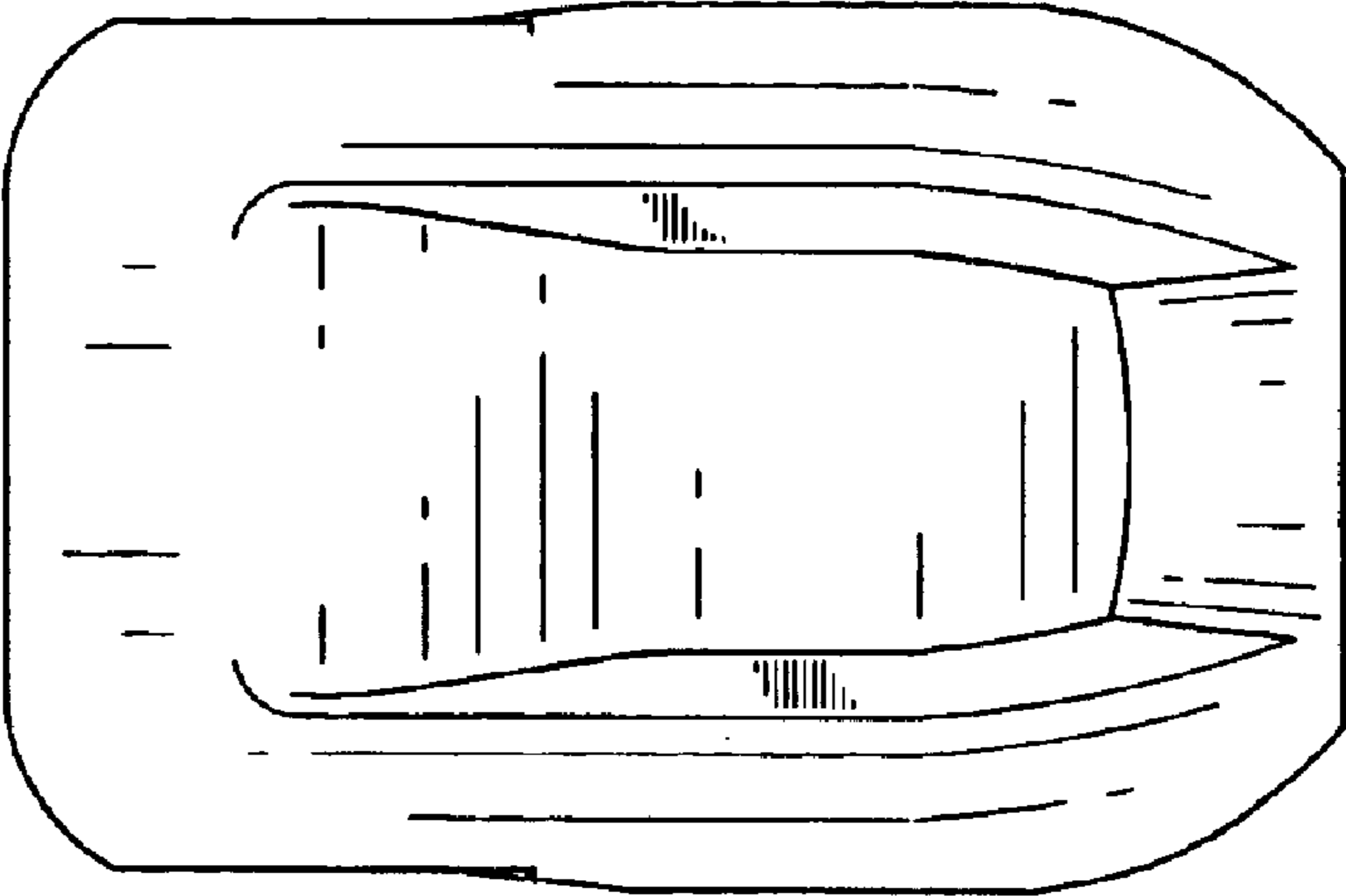


FIG.3

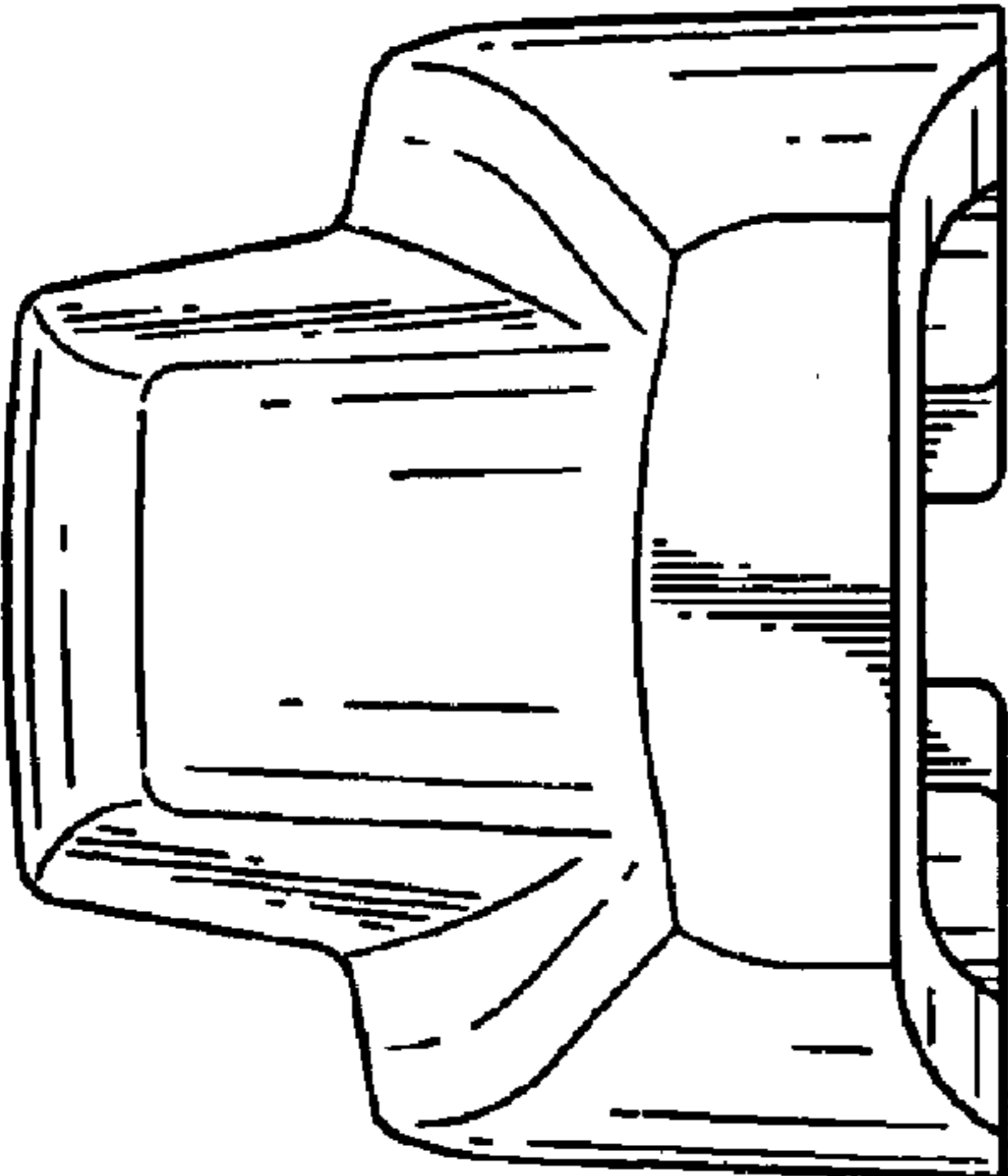


FIG.4

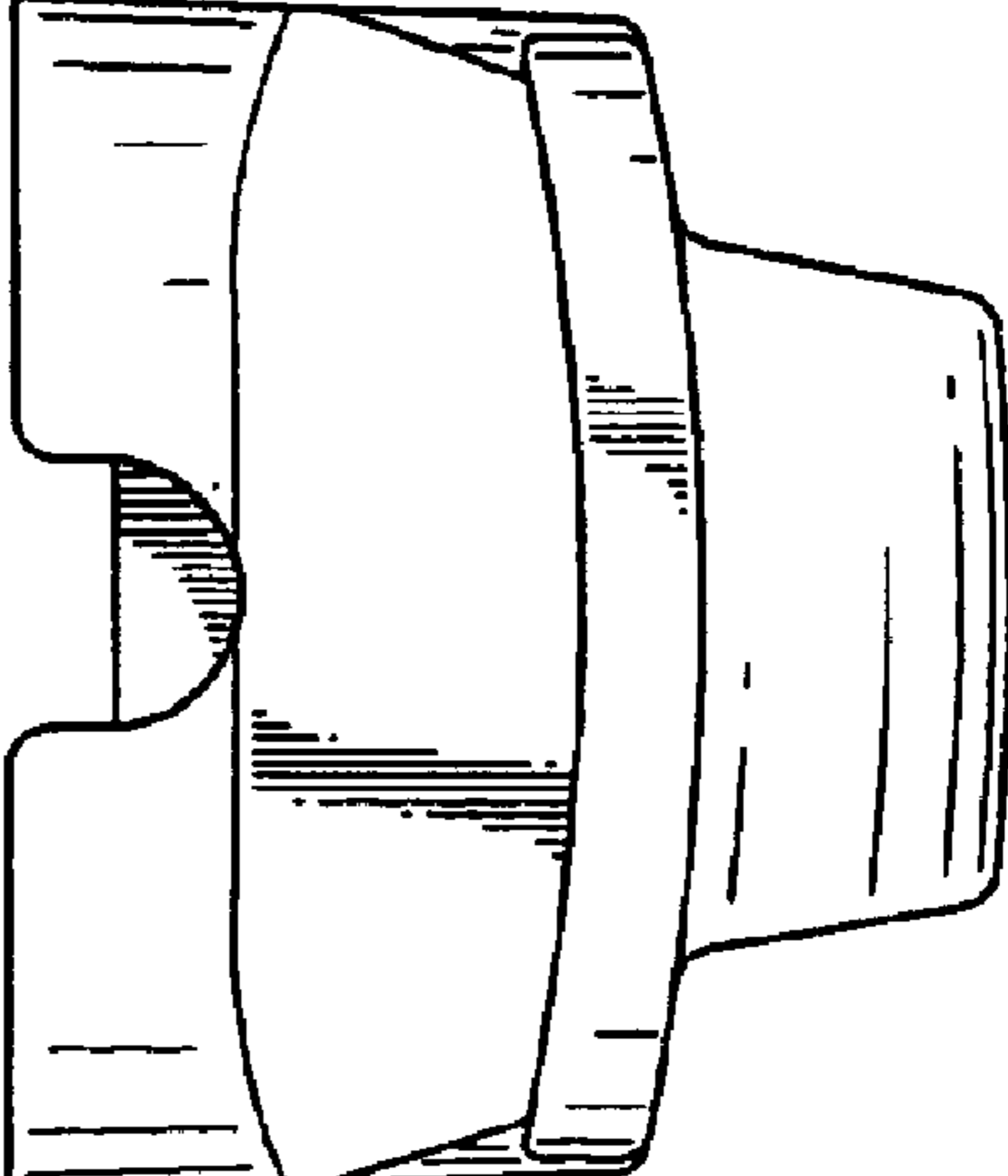


FIG.5

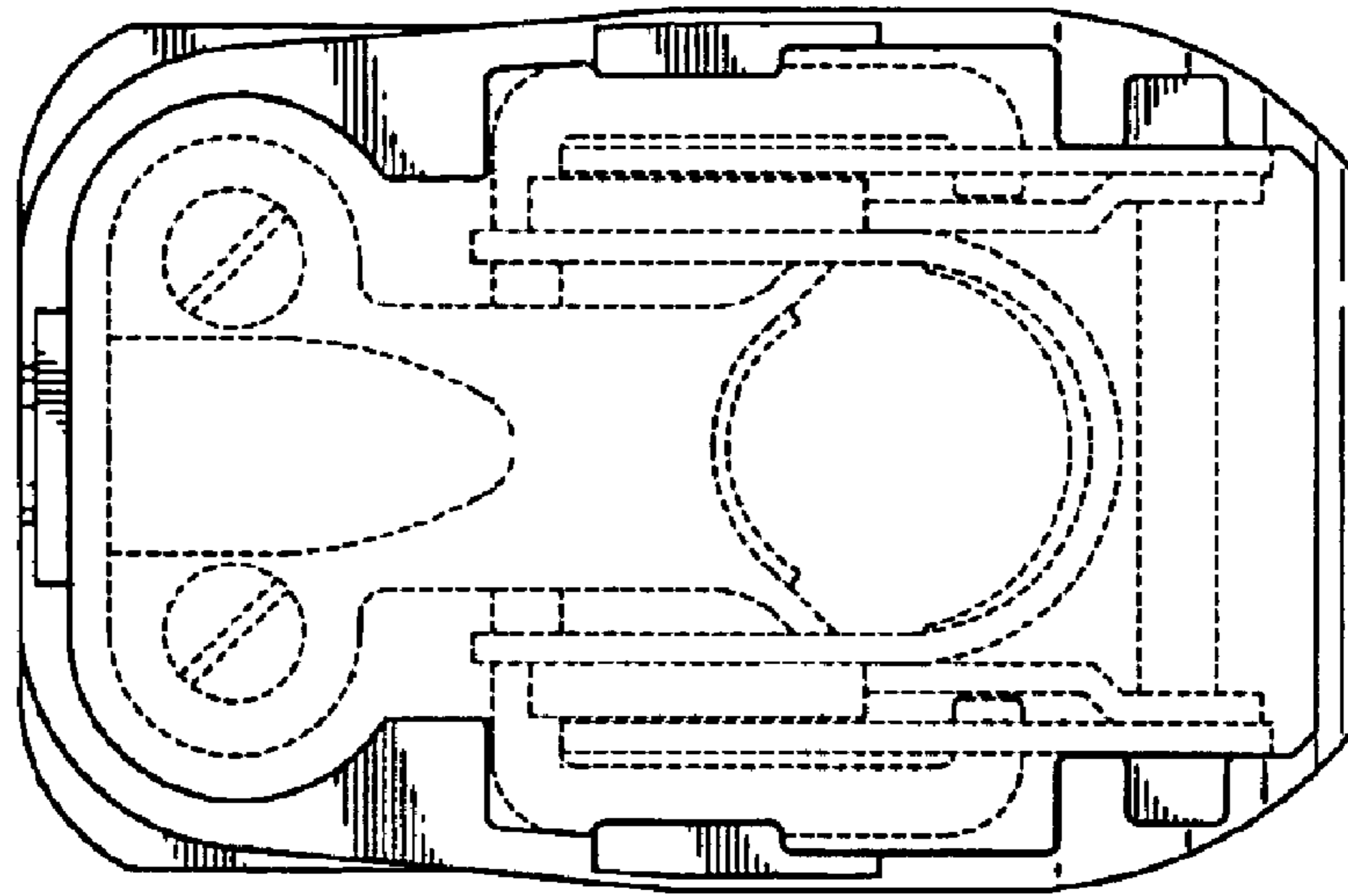


FIG. 6

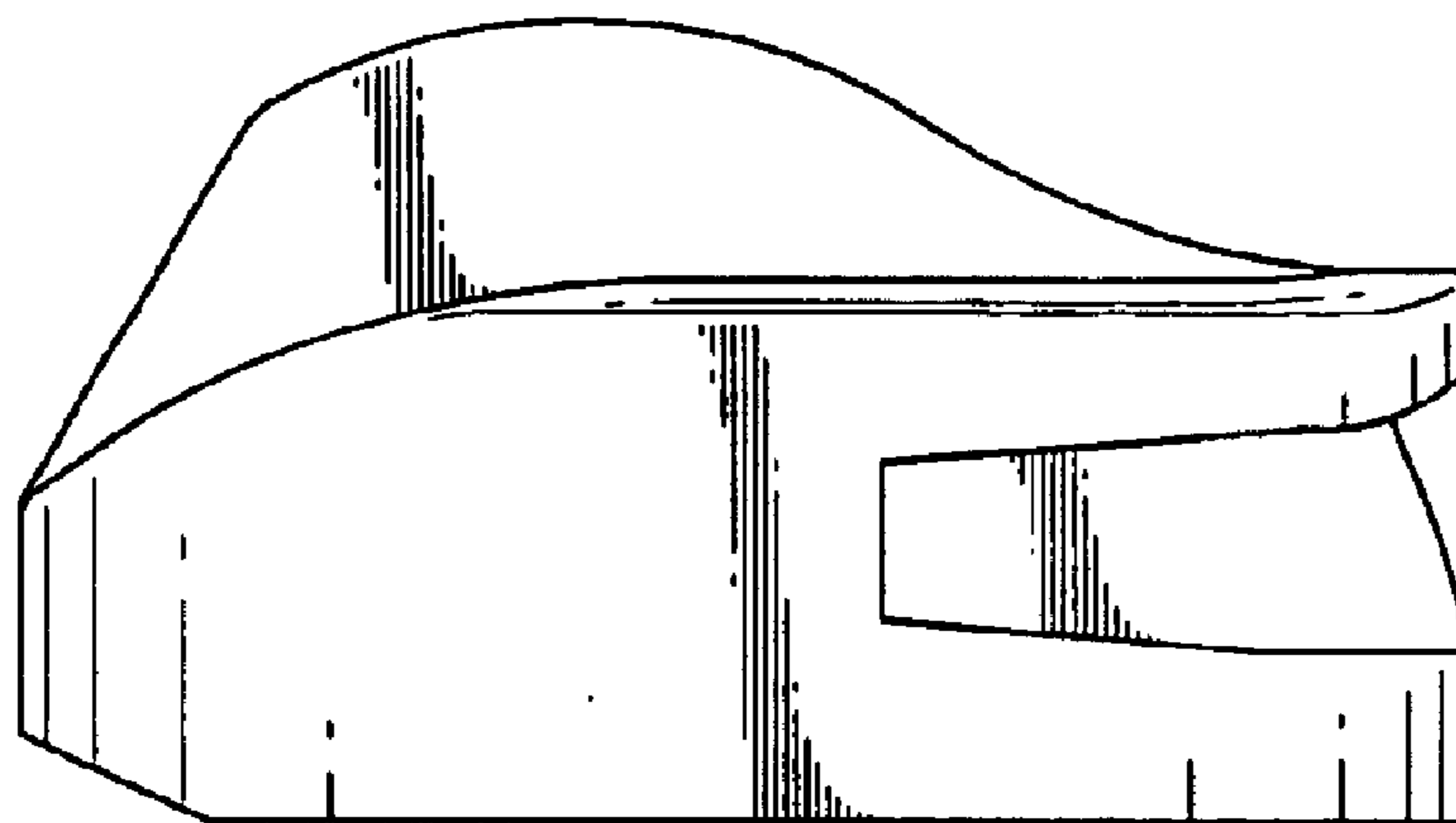


FIG. 7