

US00D503922S

(12) **United States Design Patent**
Shimizu

(10) **Patent No.:** **US D503,922 S**

(45) **Date of Patent:** **** Apr. 12, 2005**

(54) **BATTERY**

(75) Inventor: **Minoru Shimizu**, Tokyo (JP)

(73) Assignee: **Sony Corporation**, Tokyo (JP)

(**) Term: **14 Years**

(21) Appl. No.: **29/200,442**

(22) Filed: **Mar. 1, 2004**

(51) **LOC (7) Cl.** **13-02**

(52) **U.S. Cl.** **D13/103**

(58) **Field of Search** D13/103, 106,
D13/110, 119, 184; D14/188; 429/96-100,
163, 176

(56) **References Cited**

U.S. PATENT DOCUMENTS

D277,747 S	*	2/1985	Toth	D13/103
D328,888 S	*	8/1992	Zhu	D13/103
5,563,005 A	*	10/1996	Ohtani et al.	429/96
D417,187 S	*	11/1999	Maeyama	D13/103
D417,188 S		11/1999	Maeyama		
D425,479 S	*	5/2000	Melnicoff	D13/103
D428,384 S		7/2000	Maeyama		
D432,982 S		10/2000	Miyashita		
D439,217 S	*	3/2001	Melnicoff	D13/103
D440,201 S	*	4/2001	Huynh et al.	D13/103
D446,183 S	*	8/2001	Miyashita	D13/103
6,521,370 B1	*	2/2003	Takeshita et al.	429/96

OTHER PUBLICATIONS

Web page "Panasonic, VW-VBD070" <http://prodb.matsushita.co.jp/product/image.do?pg=10&vhb=VW-VBD070>, 2 sheets, Matsushita Electric Industrial Co., Ltd. (Dec. 2003).

Web page "Panasonic, VW-VBD140" <http://prodb.matsushita.co.jp/product/image.do?pg=10&vhb=VW-VBD140>, 2 sheets, Matsushita Electric Industrial Co., Ltd. (Dec. 2003).

(Continued)

Primary Examiner—Alan P. Douglas

Assistant Examiner—Rosemary Tarcza

(74) *Attorney, Agent, or Firm*—Rader, Fishman & Grauer PLLC

(57) **CLAIM**

The ornamental design for a battery, as shown.

DESCRIPTION

FIG. 1 is a front right top perspective view of a first embodiment of a battery showing my new design;

FIG. 2 is a front left bottom perspective view thereof;

FIG. 3 is a front elevational view thereof;

FIG. 4 is a rear elevational view thereof;

FIG. 5 is a left side elevational view thereof;

FIG. 6 is a right side elevational view thereof;

FIG. 7 is a top plan view thereof;

FIG. 8 is a bottom plan view thereof;

FIG. 9 is a front right top perspective view of a second embodiment of a battery showing my new design;

FIG. 10 is a front left bottom perspective view thereof;

FIG. 11 is a front elevational view thereof;

FIG. 12 is a rear elevational view thereof;

FIG. 13 is a left side elevational view thereof;

FIG. 14 is a right side elevational view thereof;

FIG. 15 is a top plan view thereof;

FIG. 16 is a bottom plan view thereof;

FIG. 17 is a front right top perspective view of a third embodiment of a battery showing my new design;

FIG. 18 is a front left bottom perspective view thereof;

FIG. 19 is a front elevational view thereof;

FIG. 20 is a rear elevational view thereof;

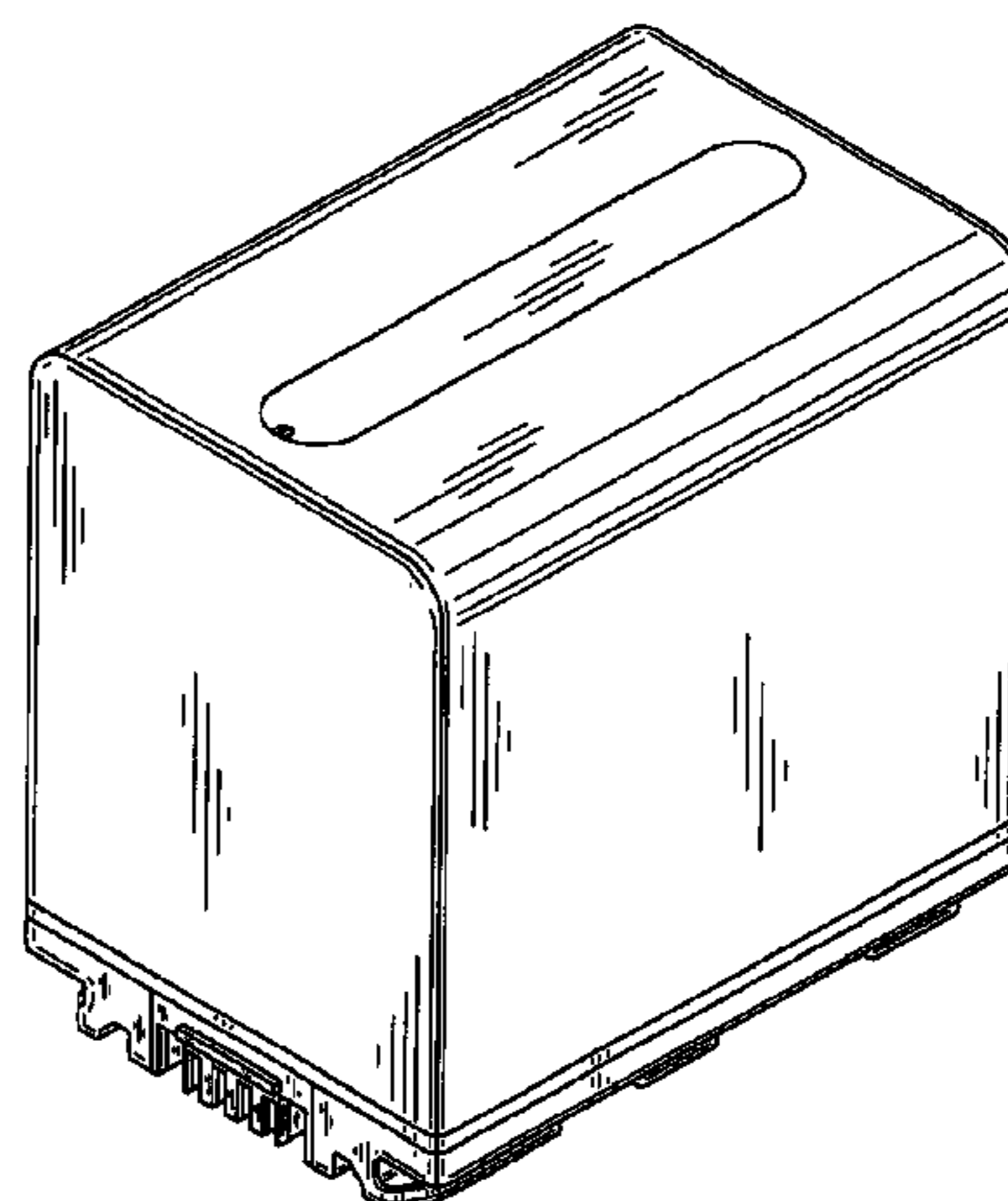
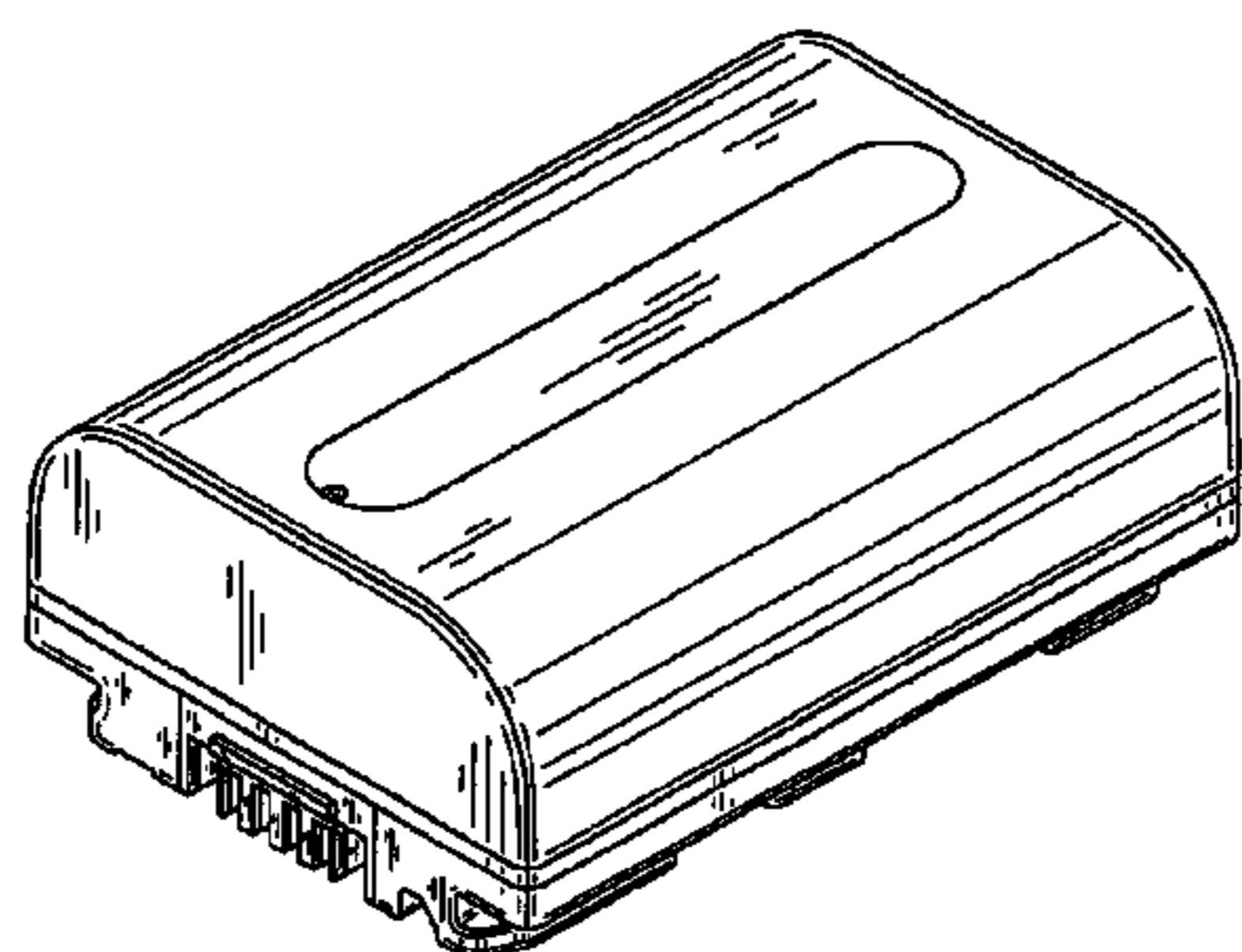
FIG. 21 is a left side elevational view thereof;

FIG. 22 is a right side elevational view thereof;

FIG. 23 is a top plan view thereof; and,

FIG. 24 is a bottom plan view thereof.

1 Claim, 15 Drawing Sheets



OTHER PUBLICATIONS

Web page "Sony eCatalog, NP-FF71" <http://www.ecat.sony.co.jp/camera/handycamacc/acc/index.cfm?PD=15047&KM=NP-FF71>, 1 sheet, Sony (Dec. 2003).

Web page "Sony eCatalog, NP-FC10" <http://www.ecat.sony.co.jp/camera/handycamacc/acc/index.cfm?PD=1557&KM=NP-FC10>, 1 sheet, Sony (Dec. 2003).

Web page "Sony eCatalog, NP-FM50" <http://www.ecat.sony.co.jp/camera/handycamacc/acc/index.cfm?PD=1336&KM=NP-FM50>, 1 sheet, Sony (Dec. 2003).

Web page "Sony eCatalog, NP-FS11" <http://www.ecat.sony.co.jp/camera/handycamacc/acc/index.cfm?PD=1339&KM=NP-FS11>, 1 sheet, Sony (Dec. 2003).

* cited by examiner

Fig. 1

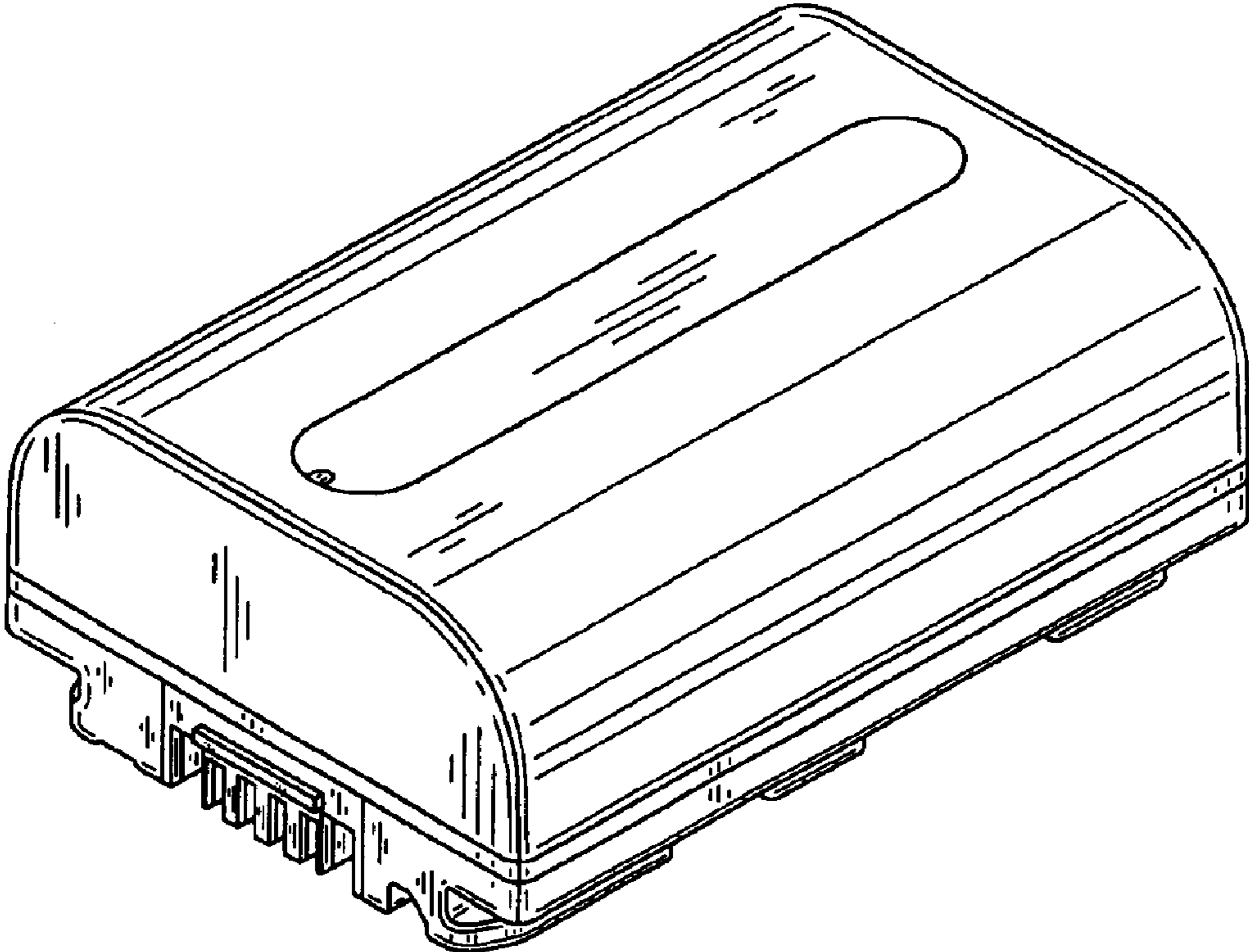


Fig.2

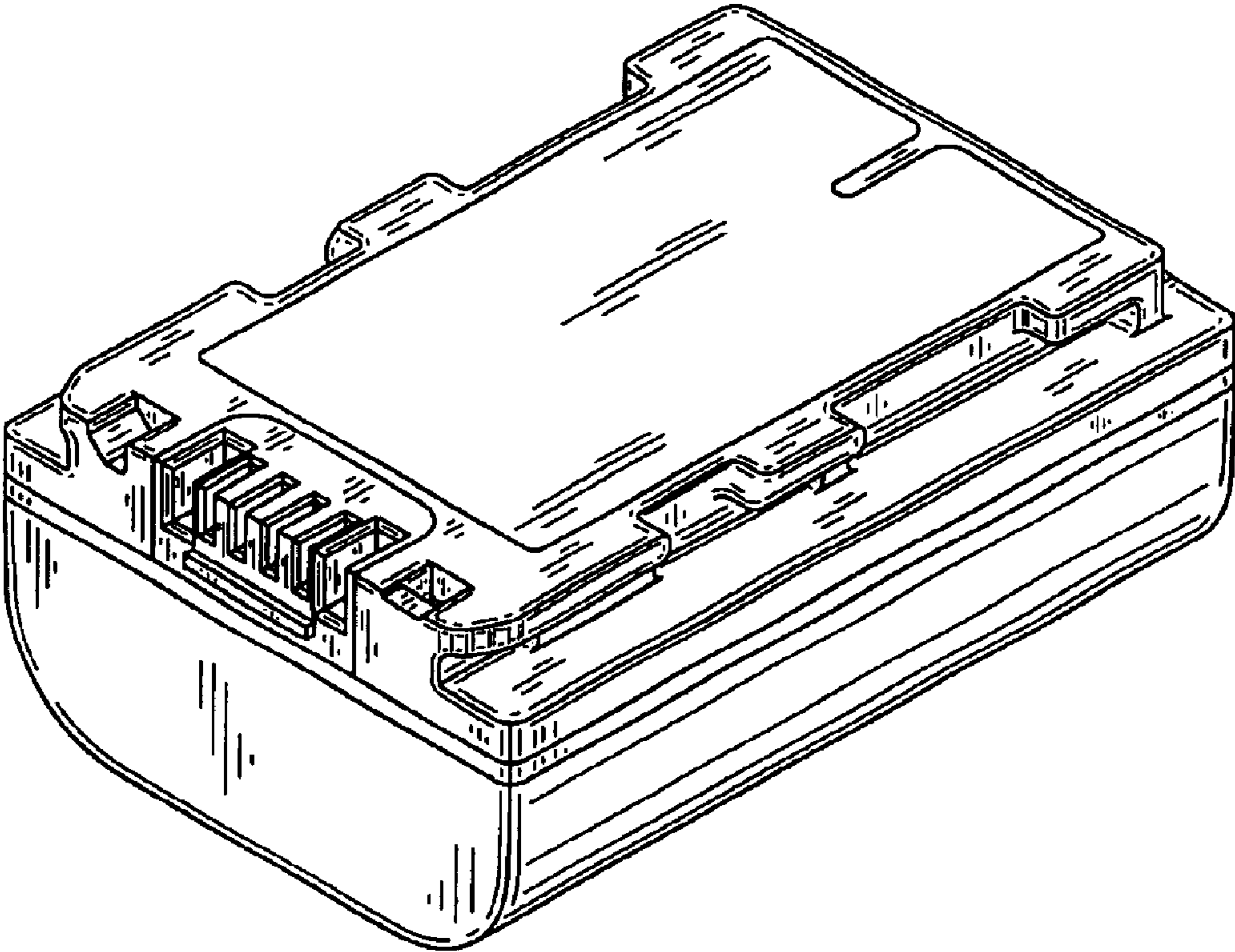


Fig.3

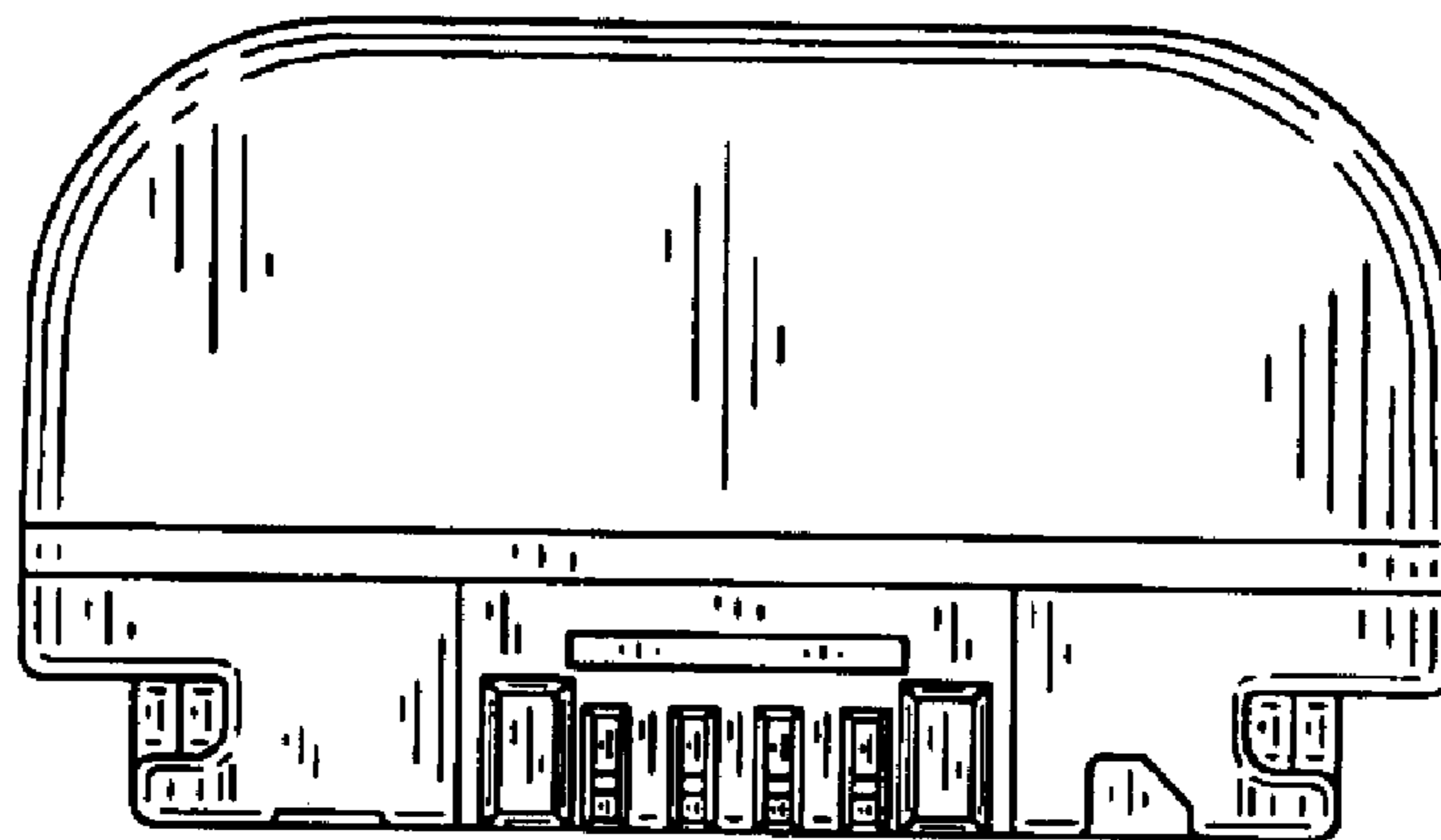


Fig.4

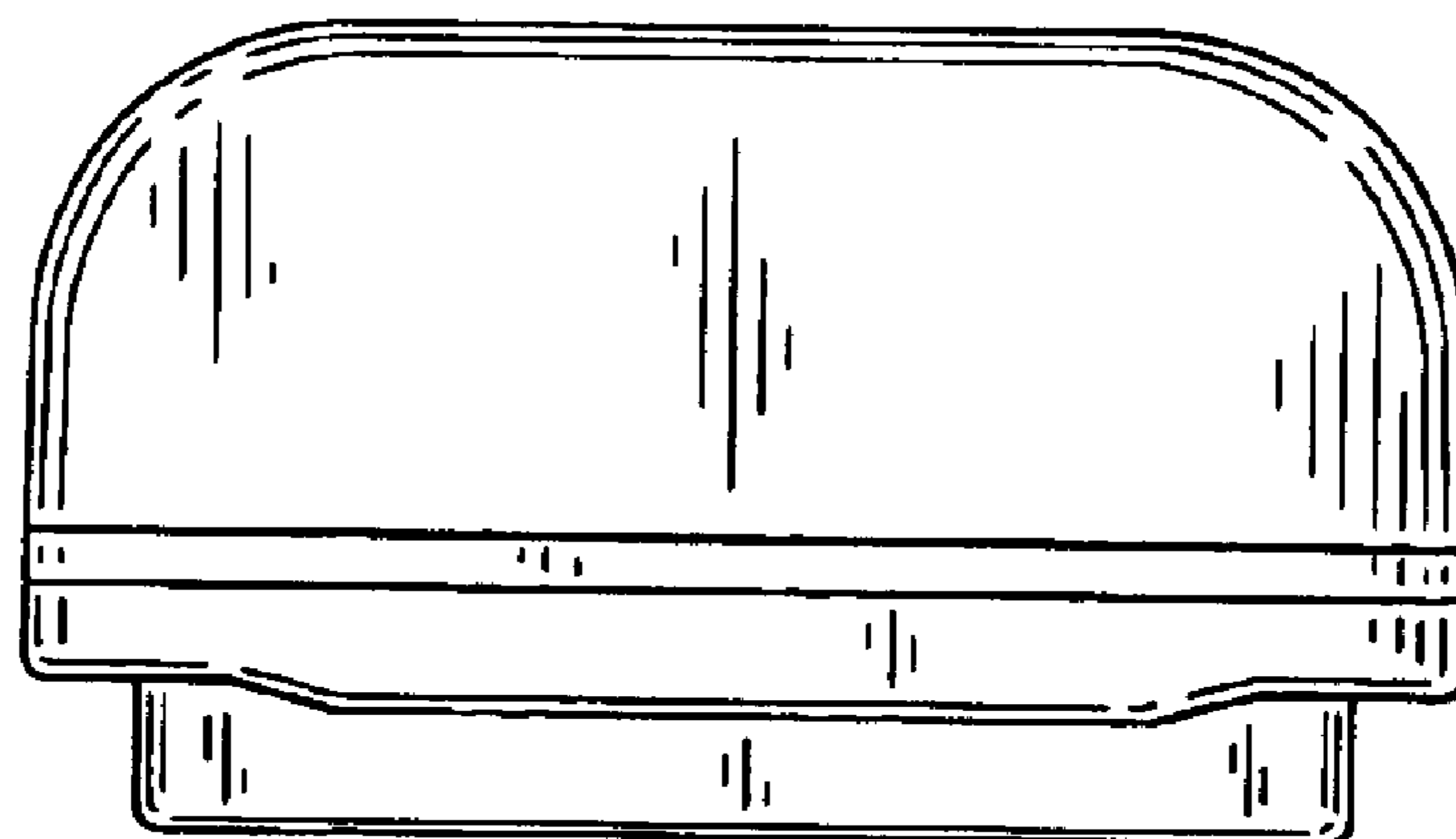


Fig.5

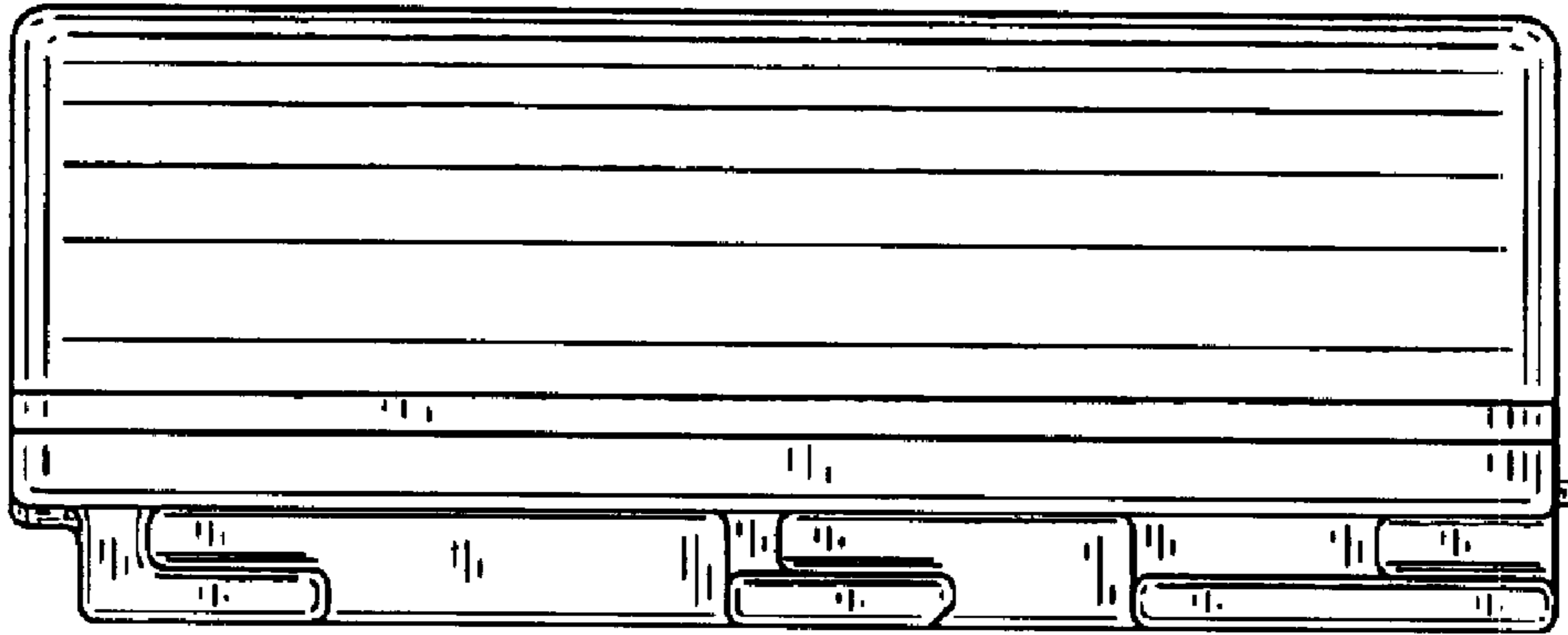


Fig.6

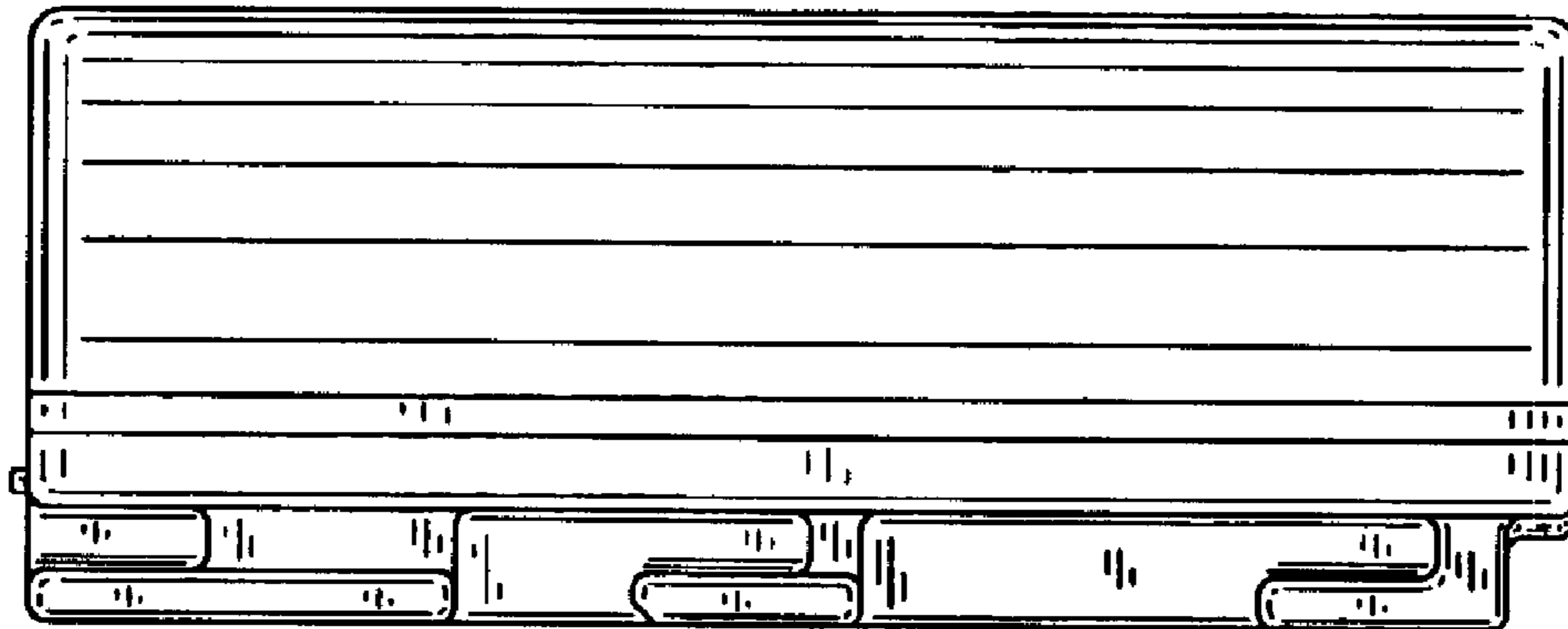


Fig.7

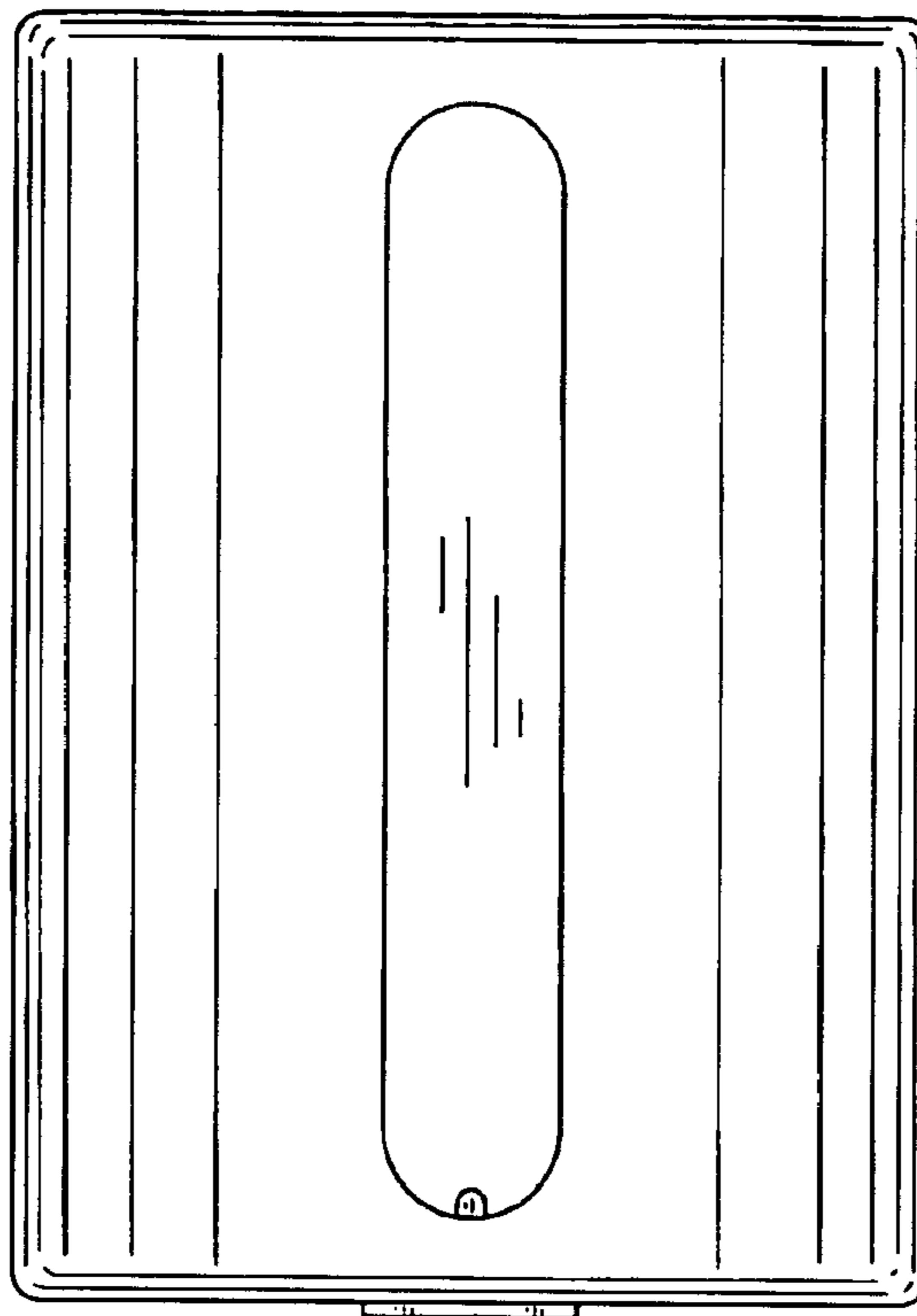


Fig.8

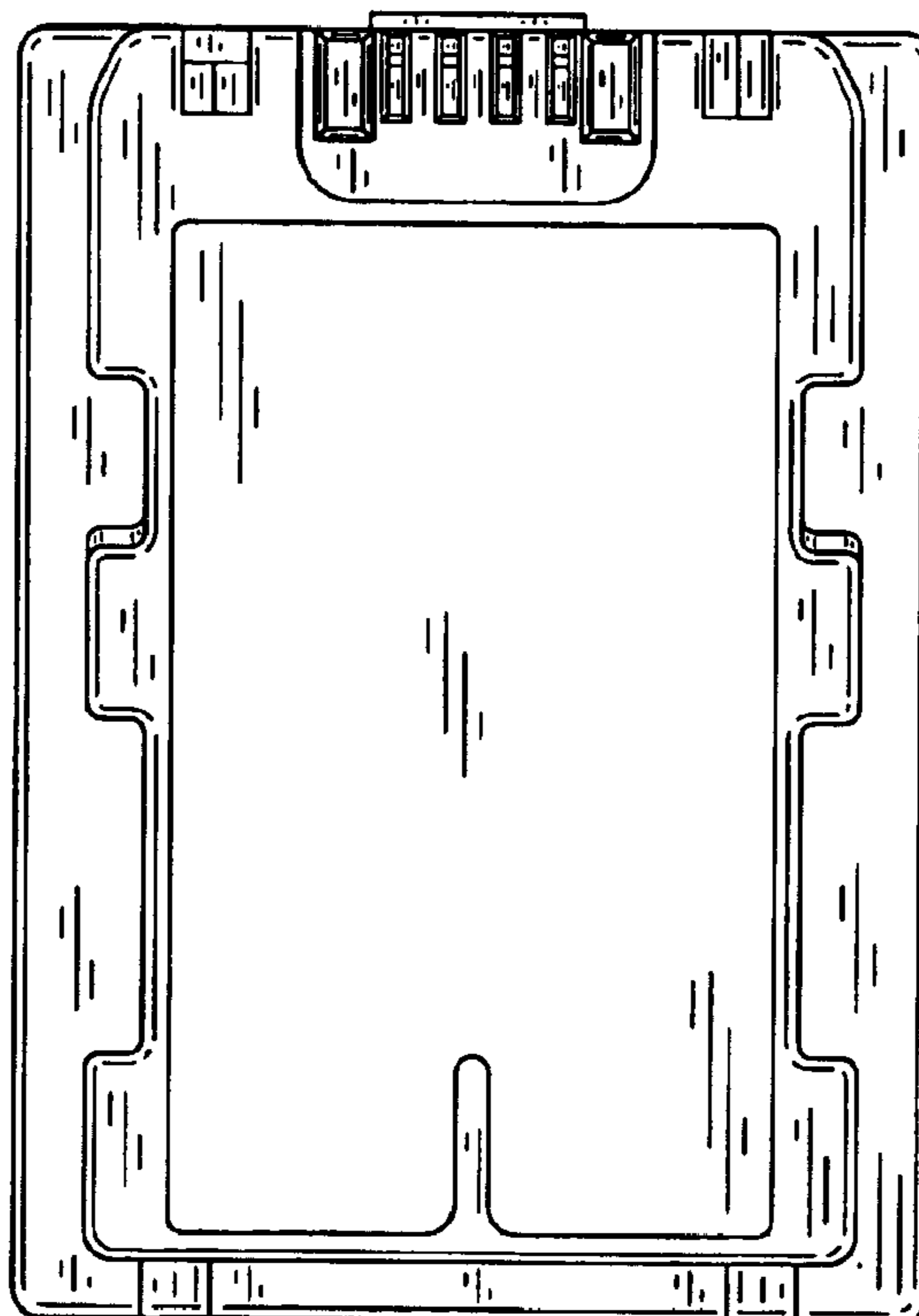


Fig.9

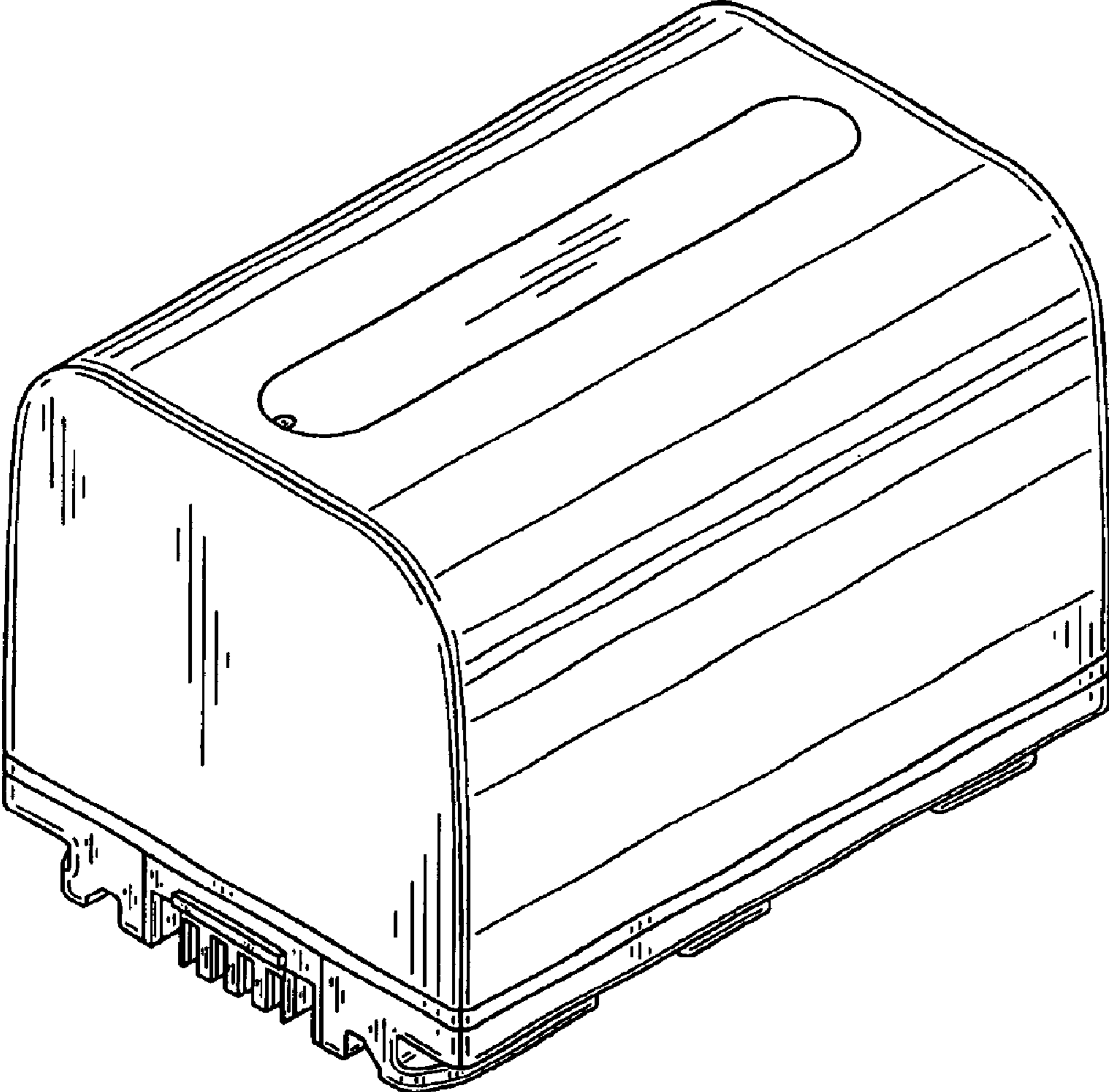


Fig.10

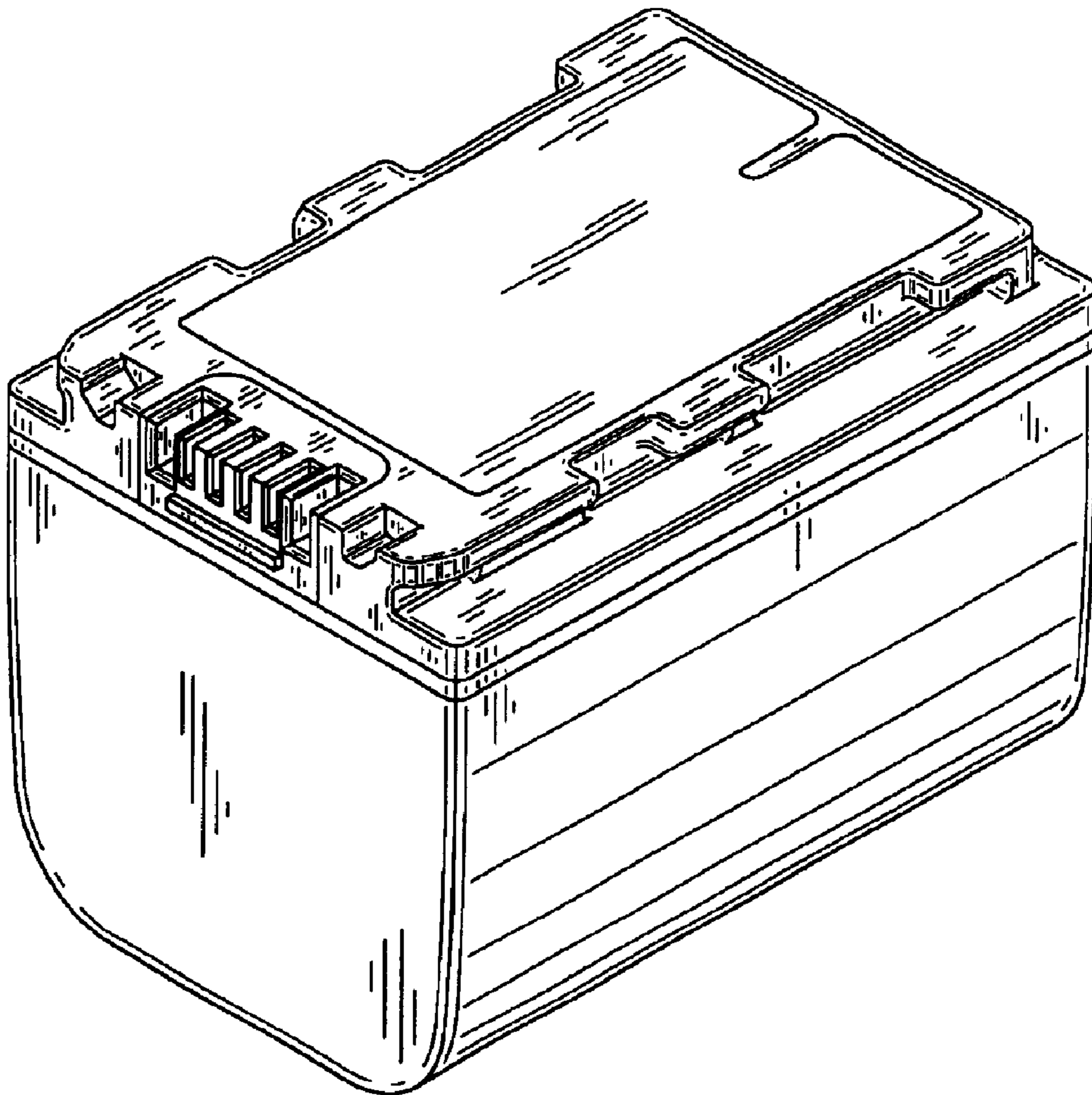


Fig.11

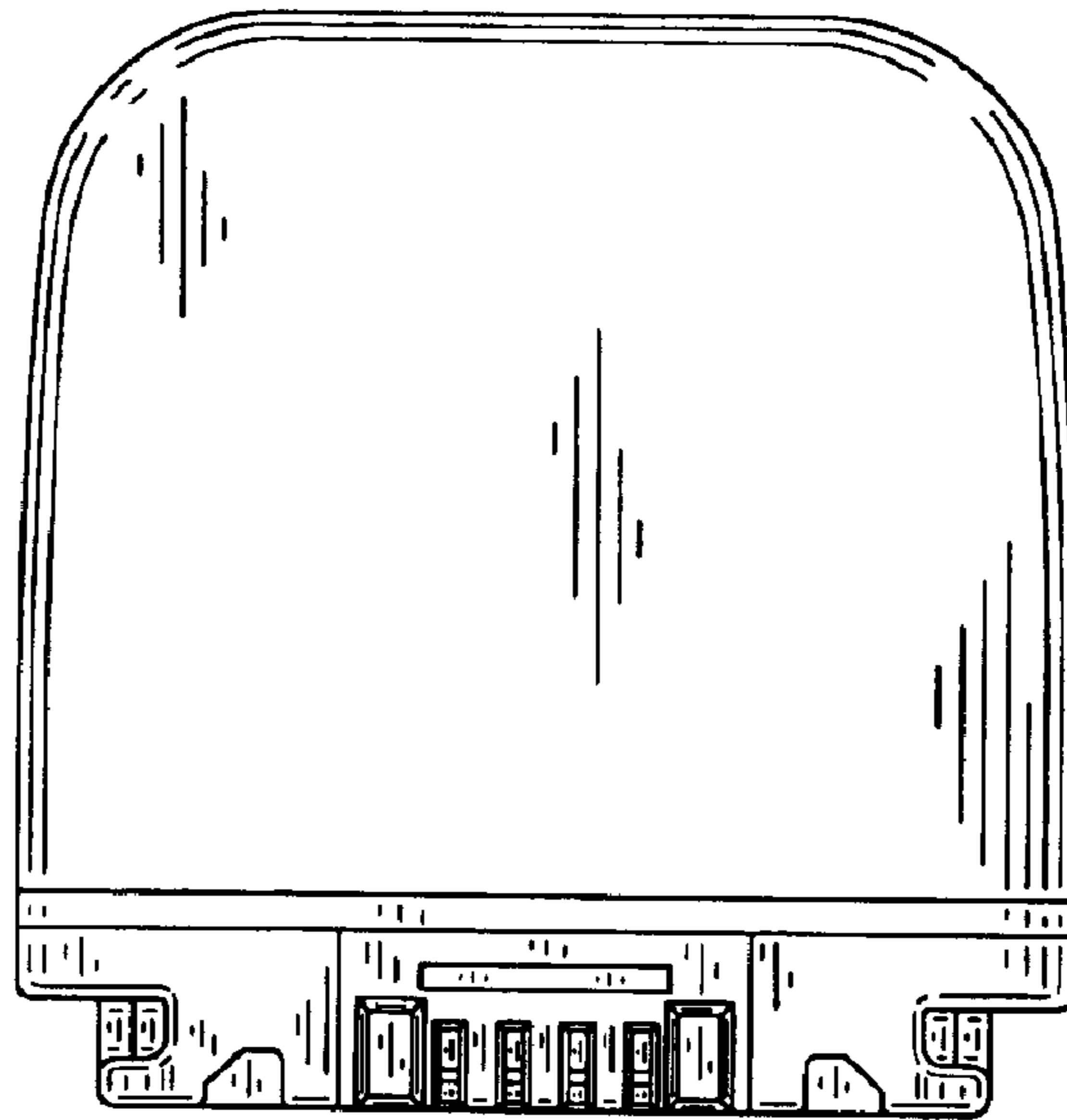


Fig.12

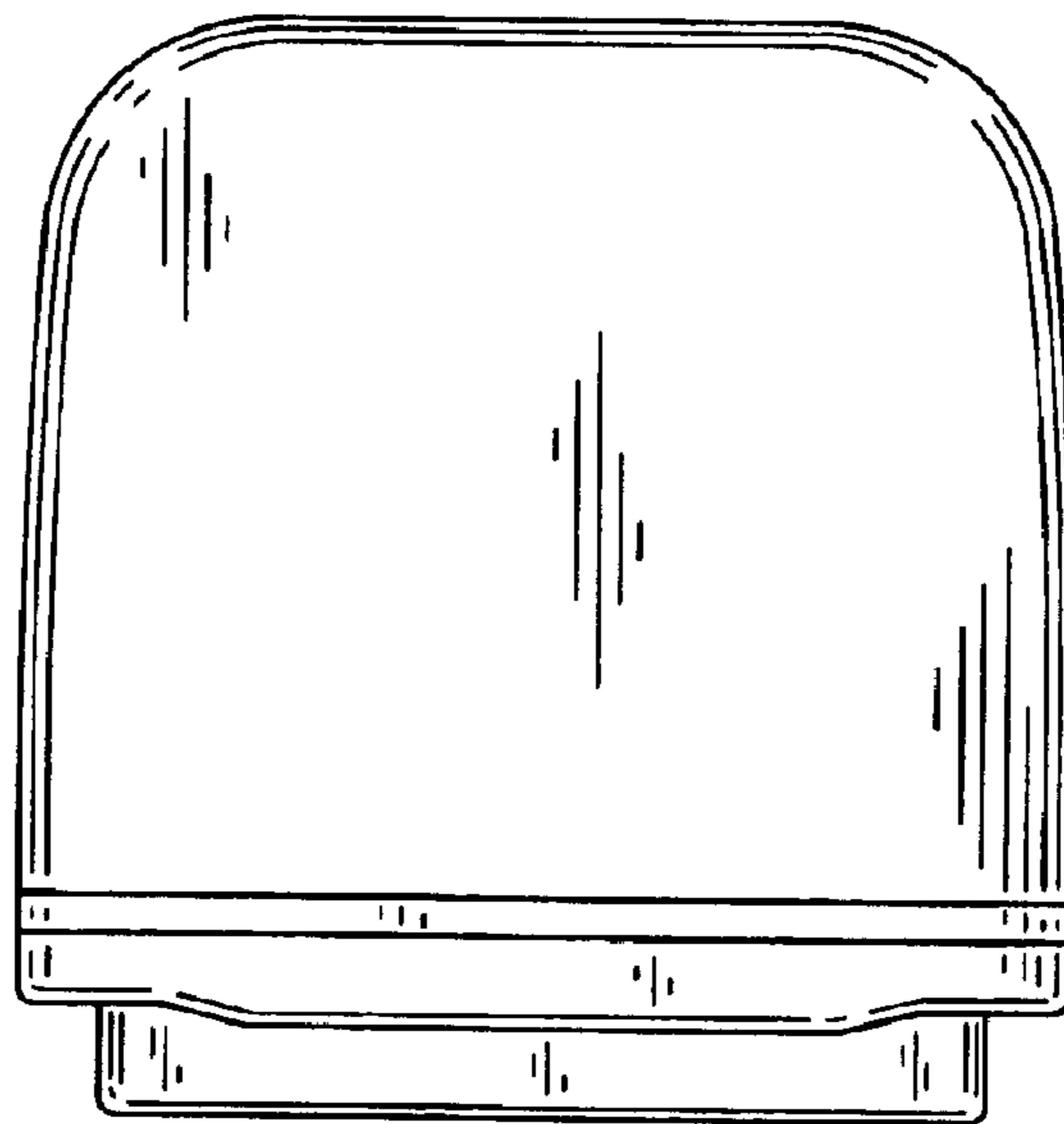


Fig.13

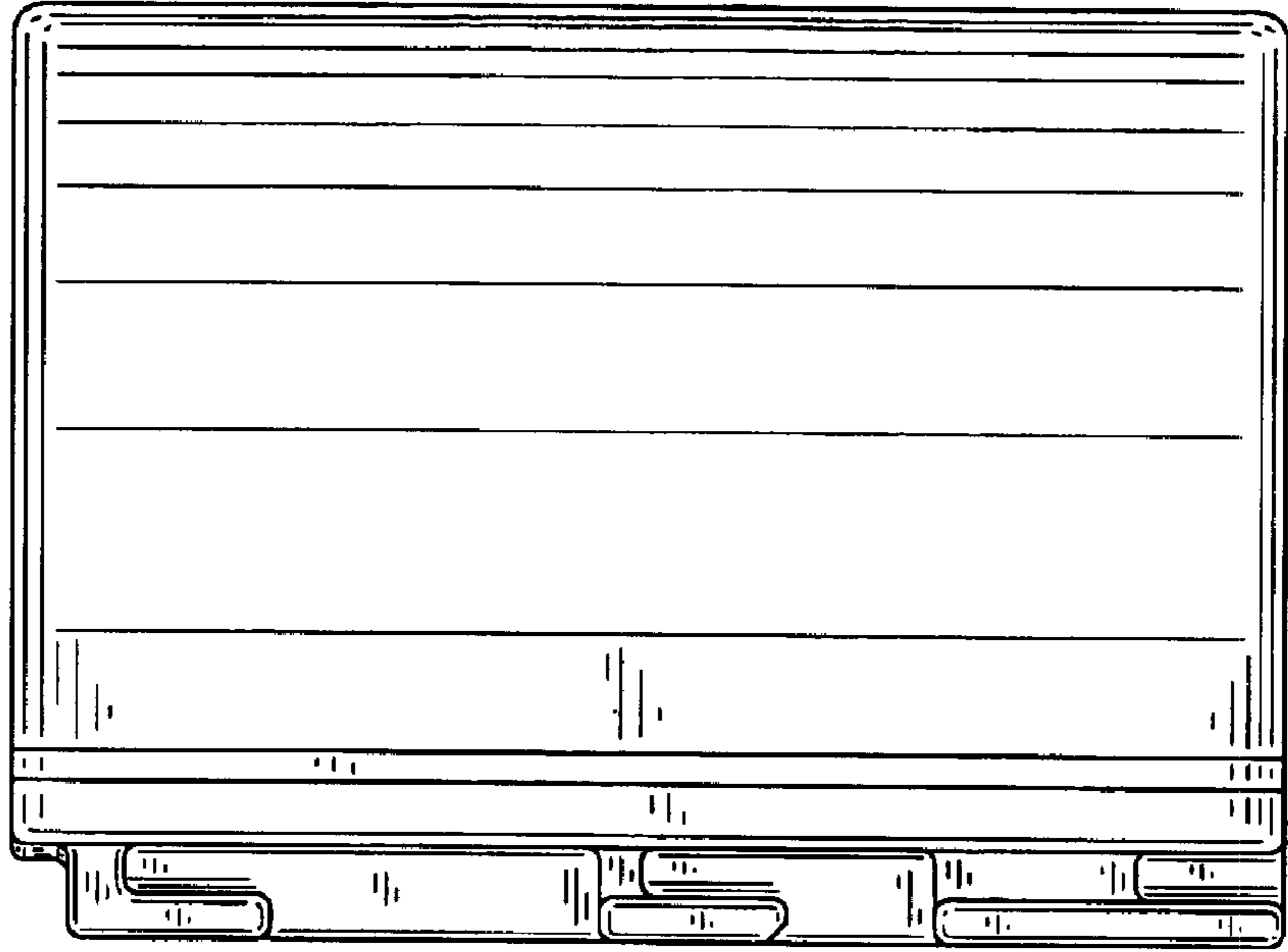


Fig.14

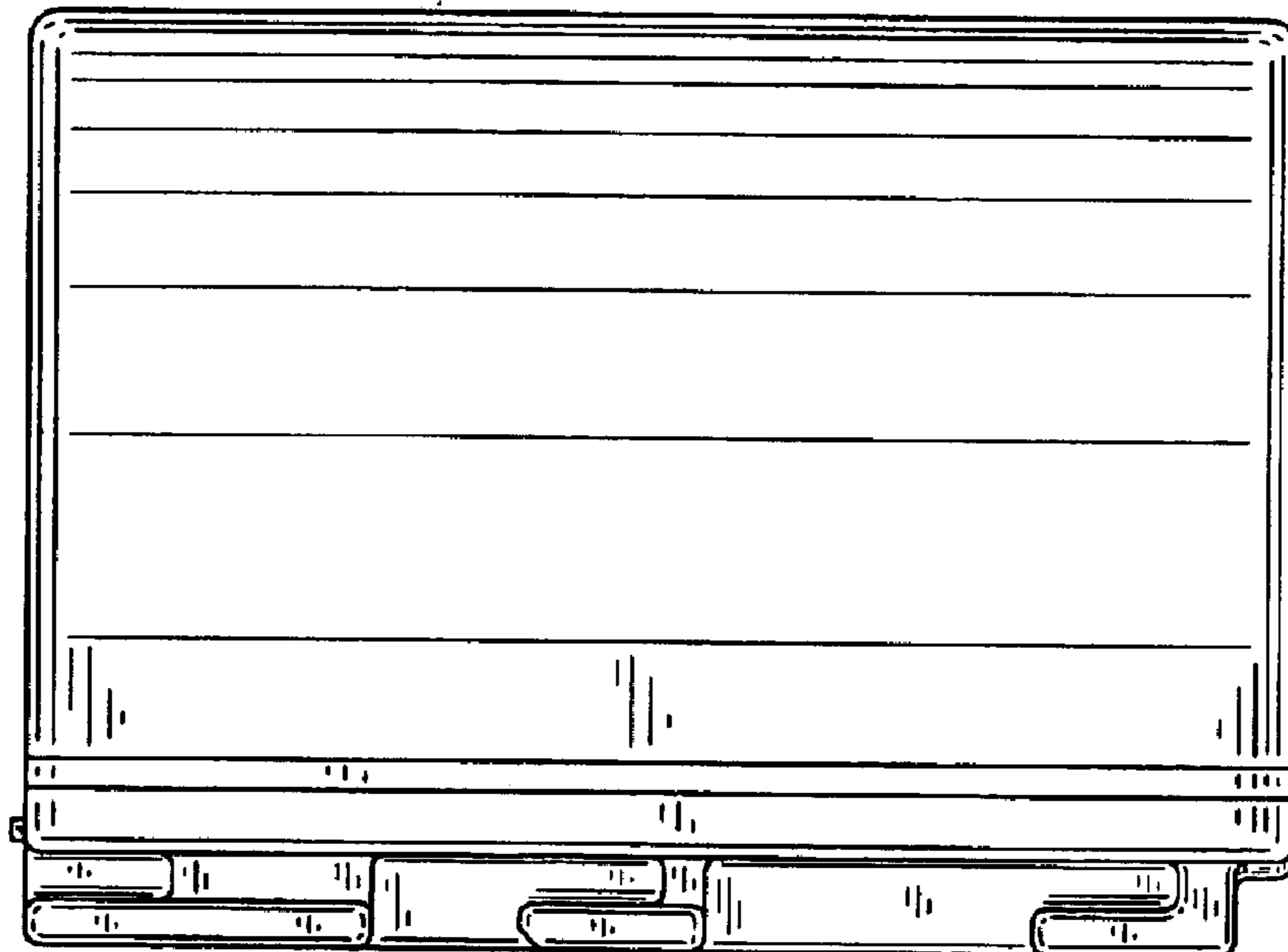


Fig.15

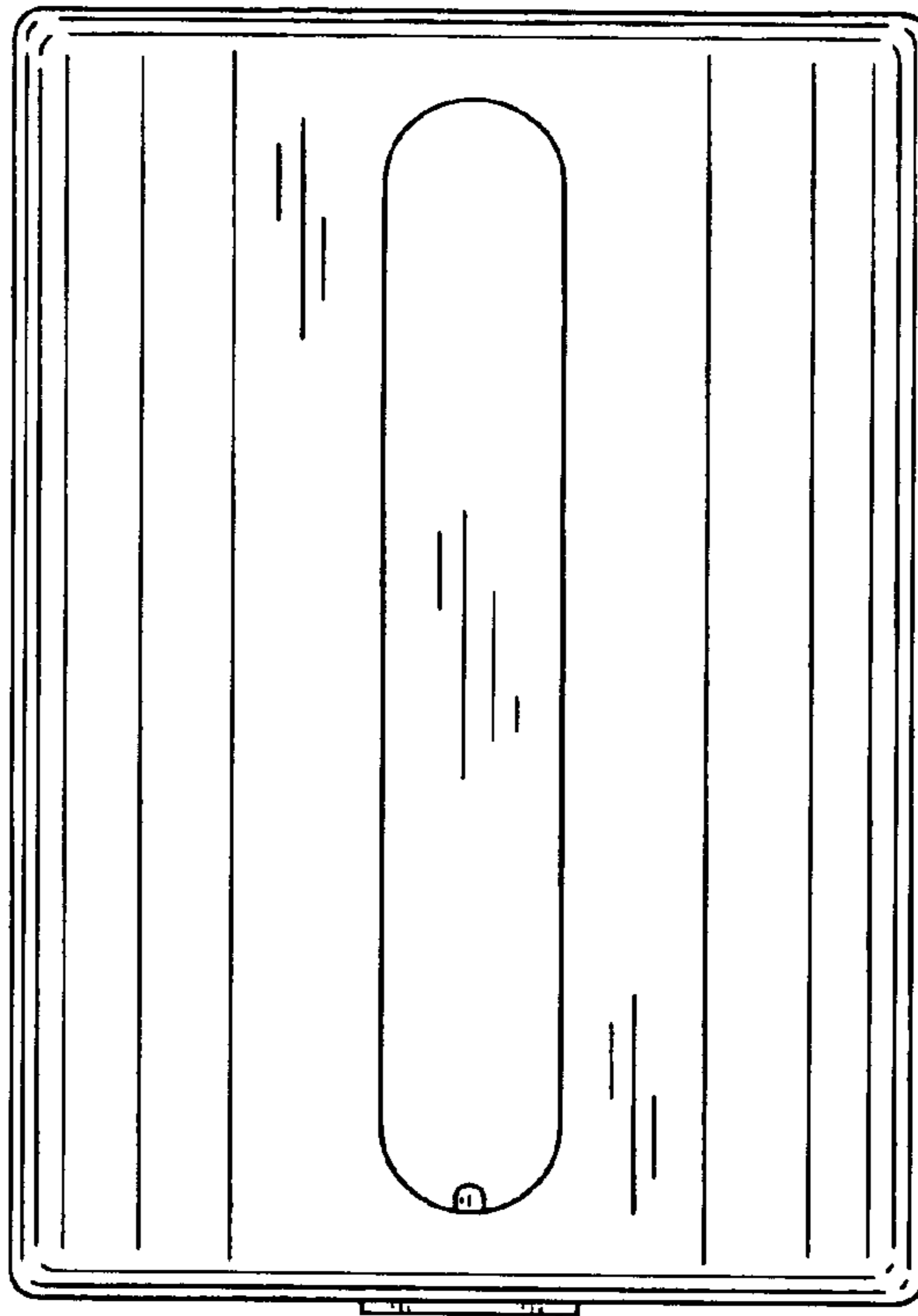


Fig.16

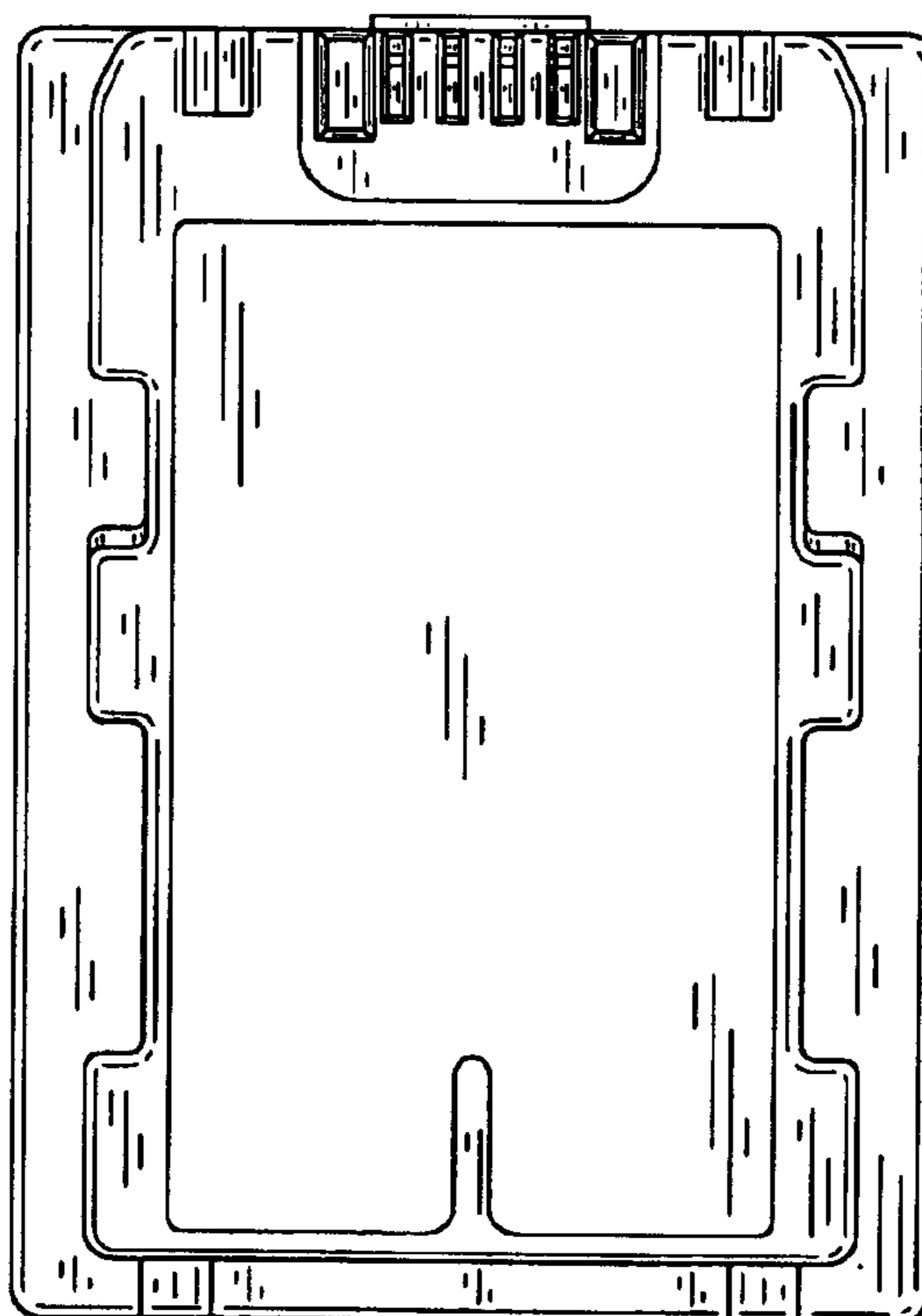


Fig.17

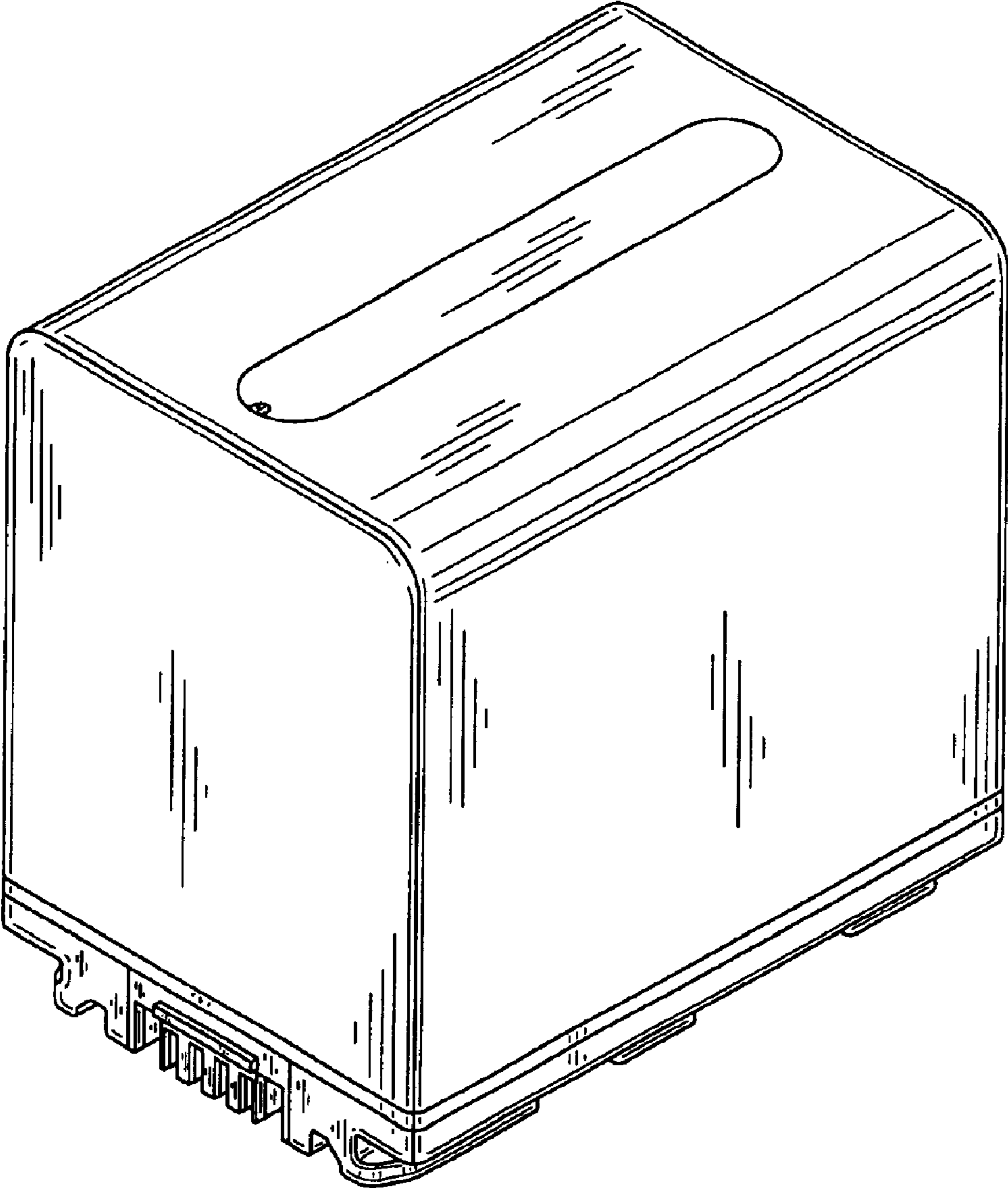


Fig.18

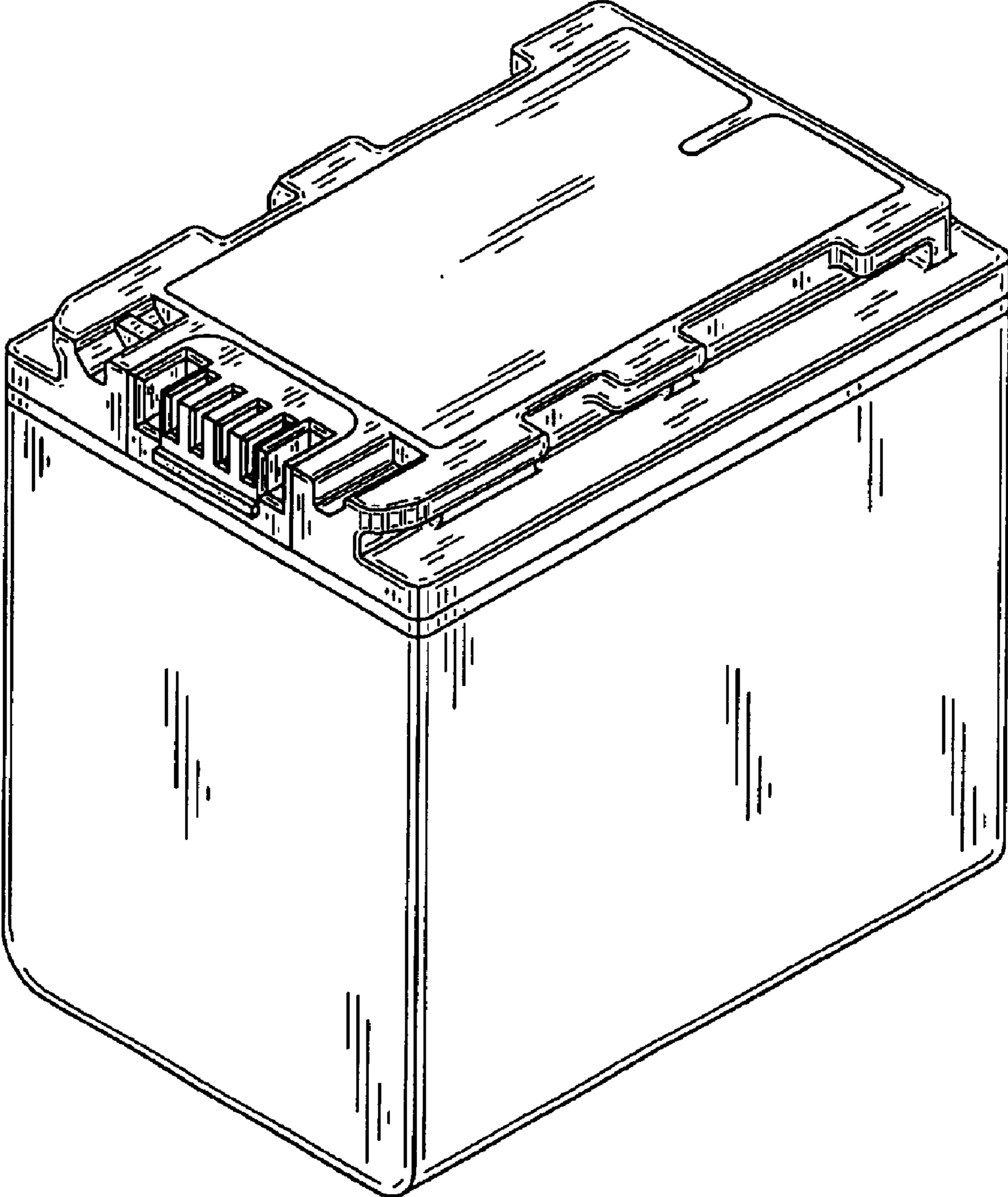


Fig.19

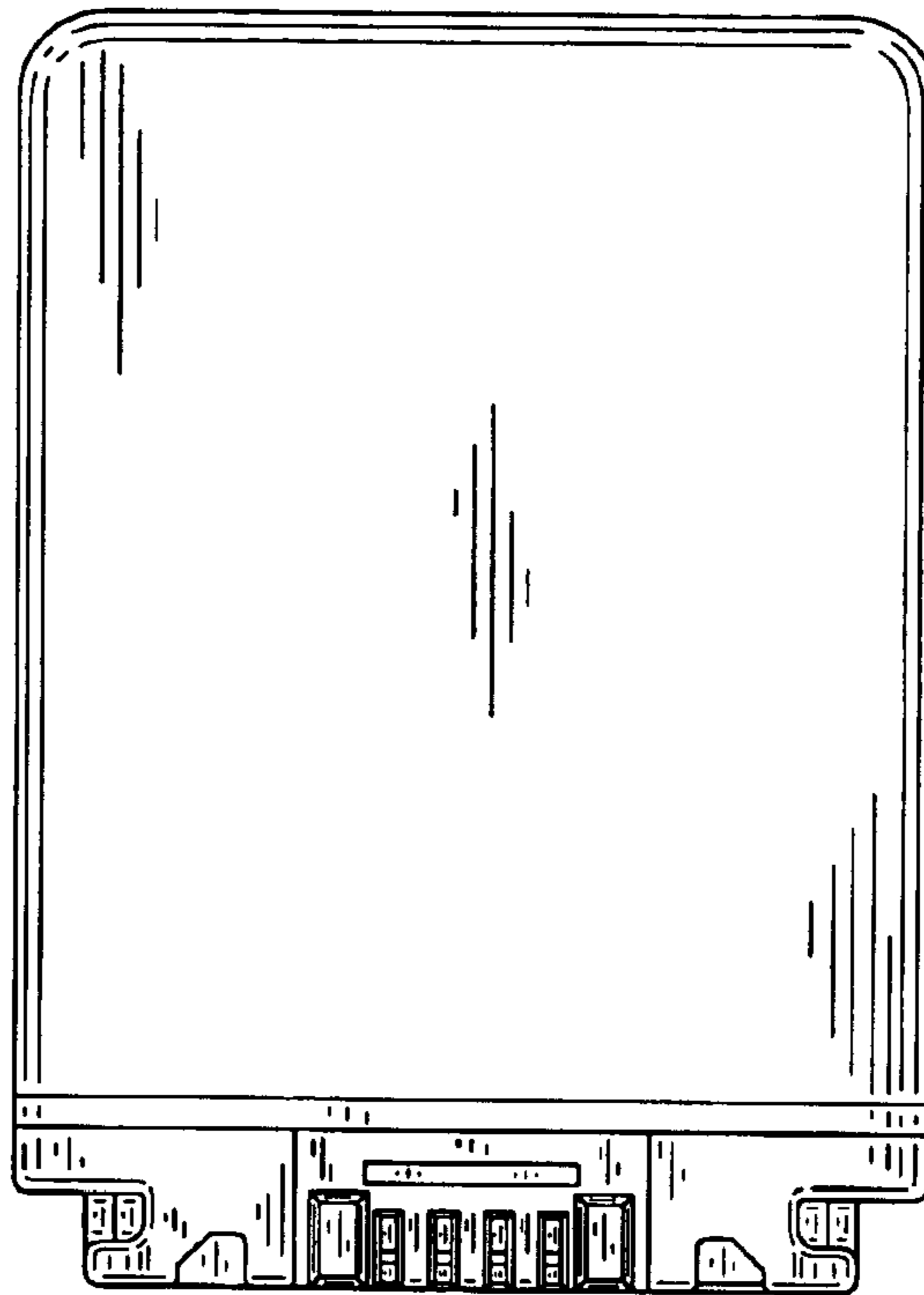


Fig.20

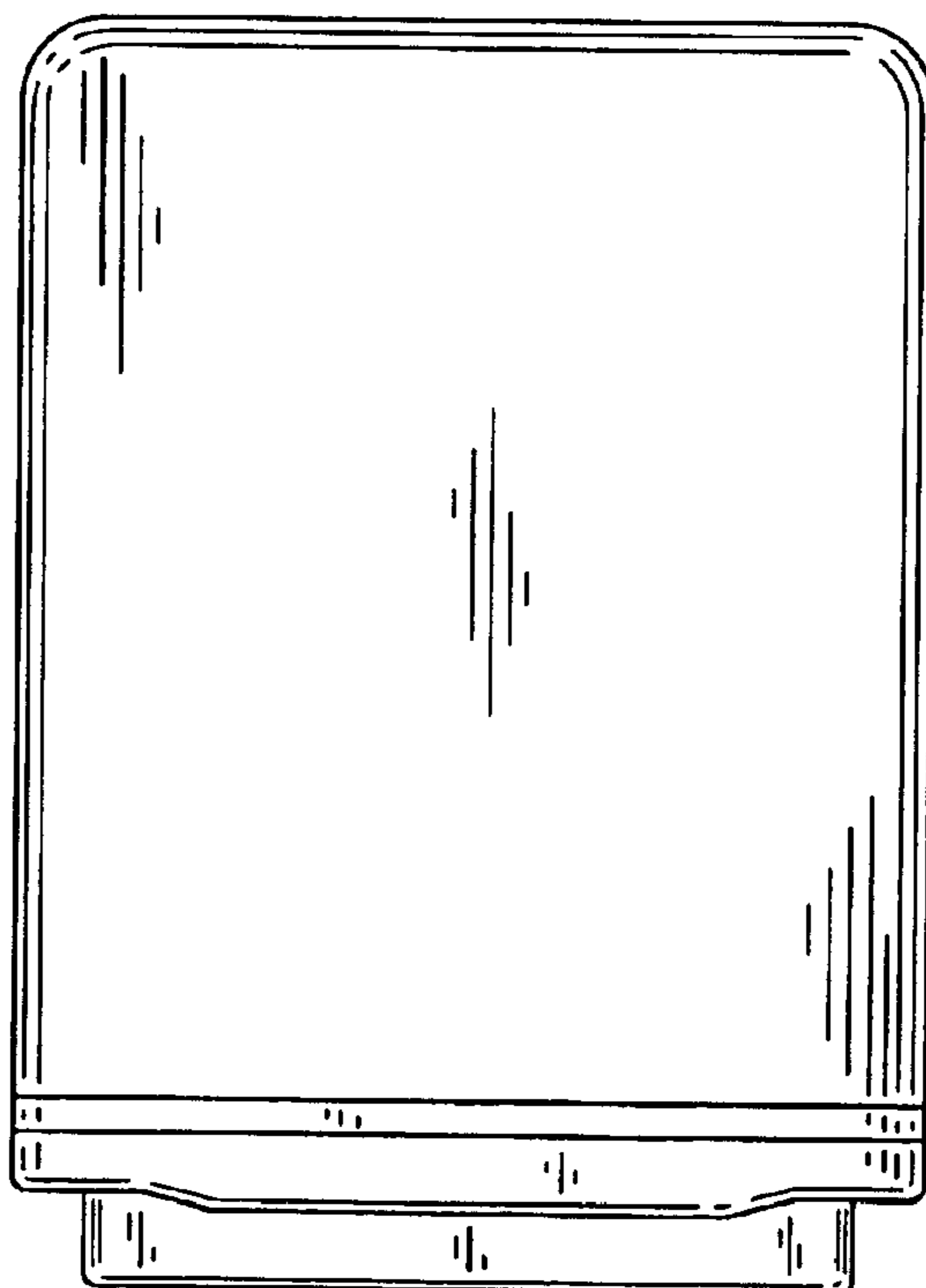


Fig.21

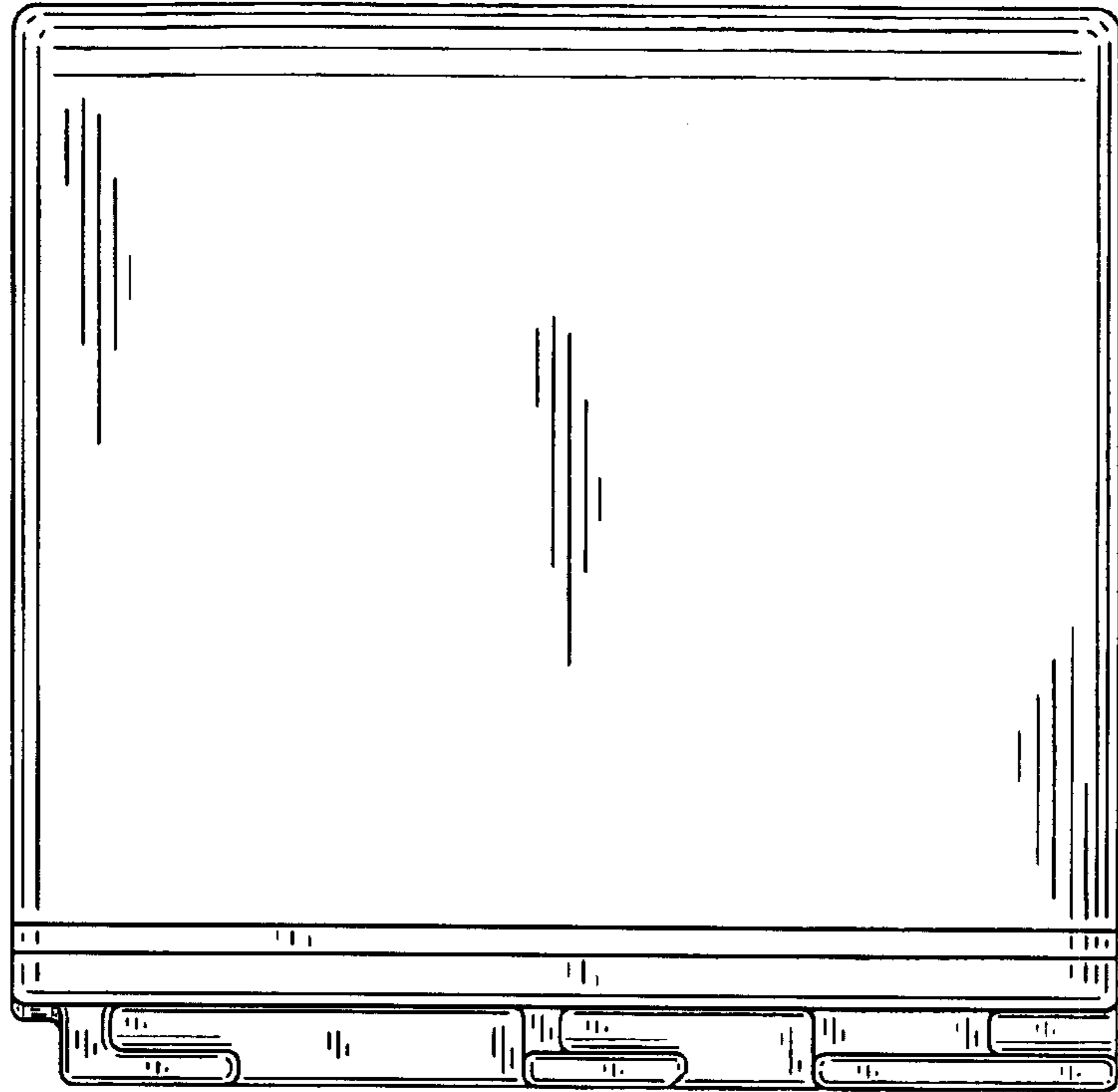


Fig.22

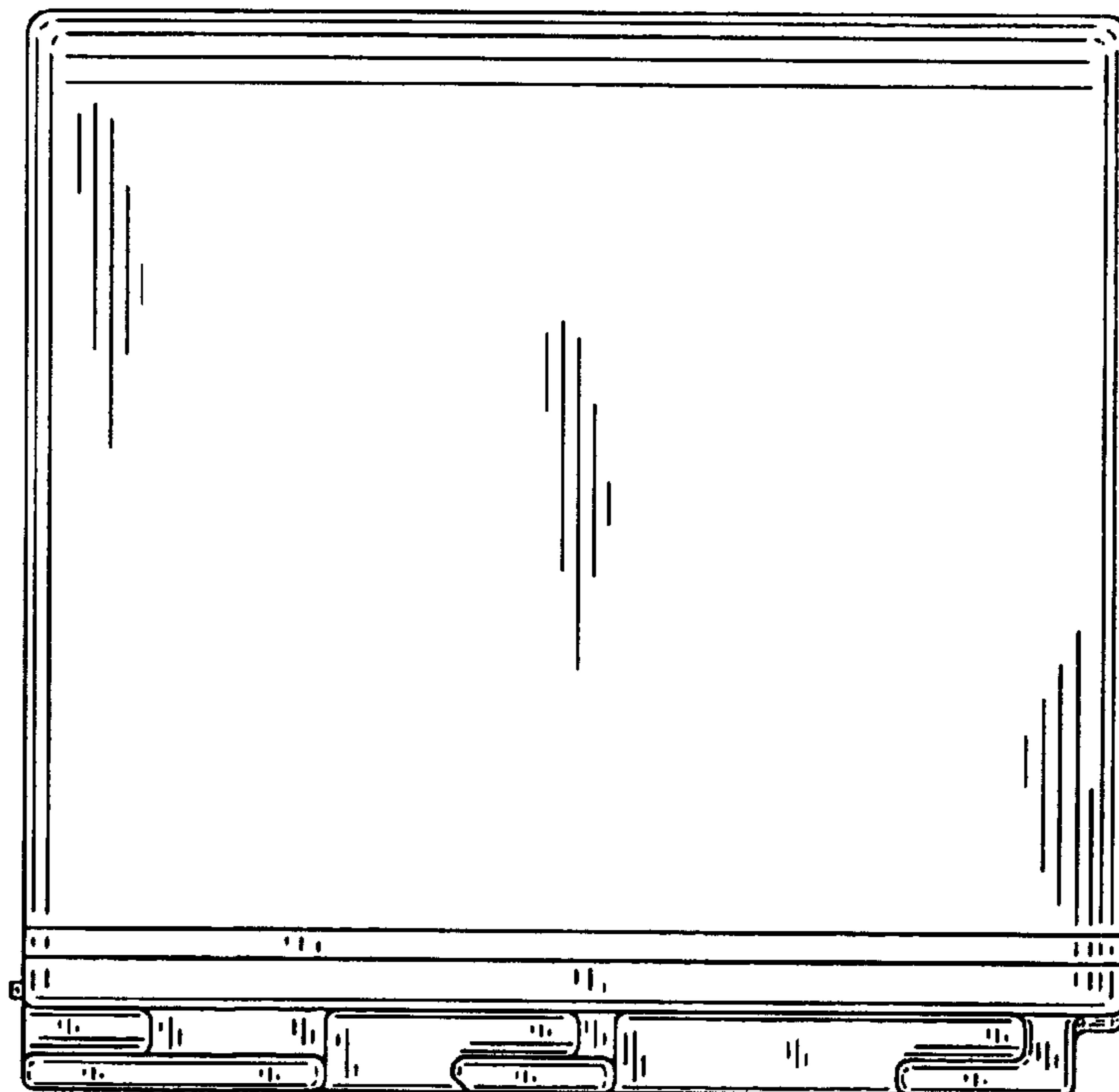


Fig.23

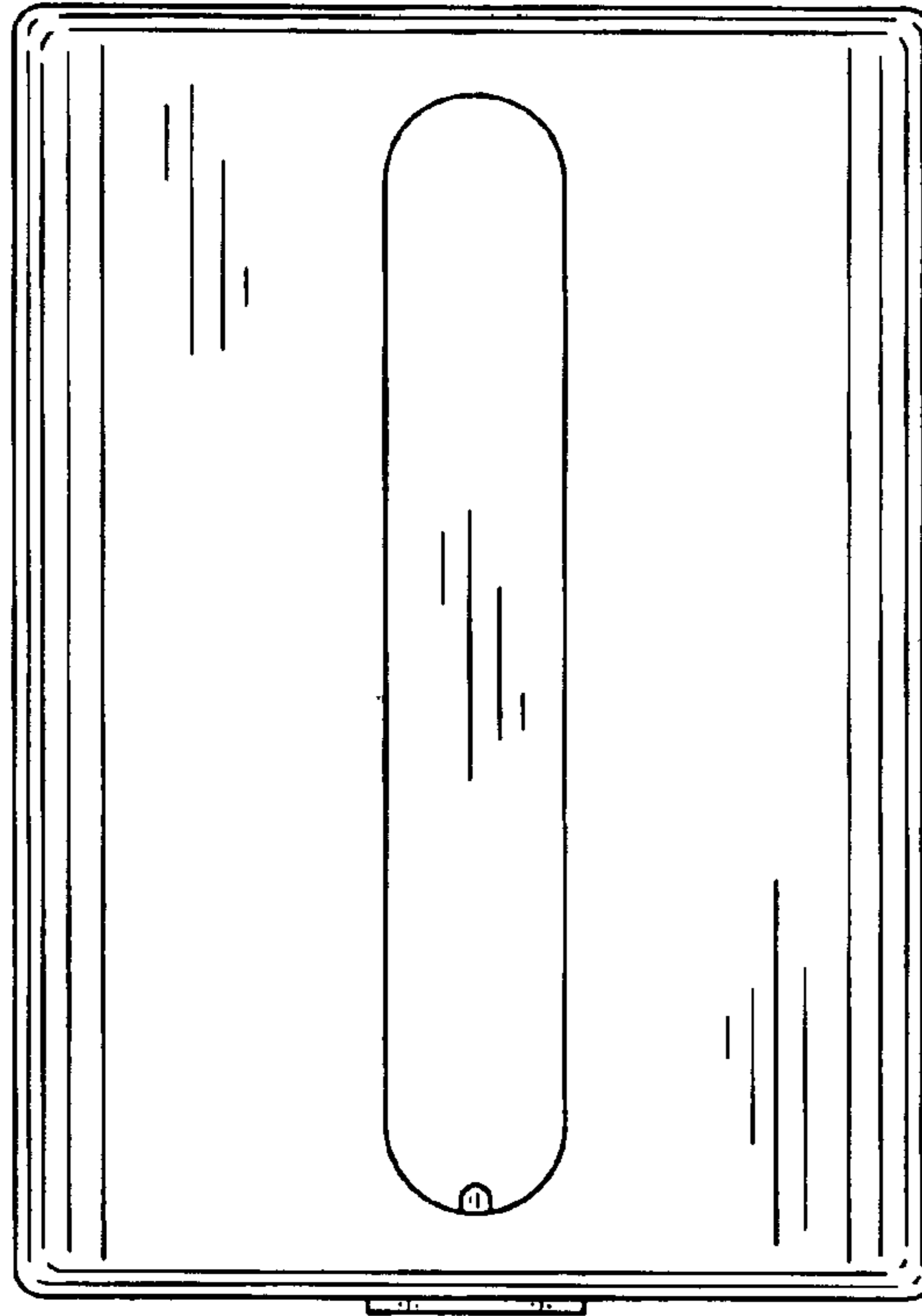


Fig.24

