



US00D503919S

(12) **United States Design Patent**
Cahyono

(10) **Patent No.: US D503,919 S**
(45) **Date of Patent: ** Apr. 12, 2005**

(54) **VEHICLE WHEEL**
(75) **Inventor: Sumantri Cahyono, Surabaya (ID)**
(73) **Assignee: PT Prima Alloy Steel Universal, Sidoarjo (ID)**
(**) **Term: 14 Years**
(21) **Appl. No.: 29/204,303**
(22) **Filed: Apr. 27, 2004**
(51) **LOC (7) Cl. 12-16**
(52) **U.S. Cl. D12/211**
(58) **Field of Search D12/204-213;**
301/37.101, 64.101, 65

D483,714 S * 12/2003 Warming D12/211
D486,437 S * 2/2004 Hieke D12/211
D489,308 S * 5/2004 Tirado D12/209
D495,291 S * 8/2004 Chung D12/211
D497,863 S * 11/2004 Cahyono D12/209

* cited by examiner

Primary Examiner—Stacia Cadmus
(74) *Attorney, Agent, or Firm*—Fulwider Patton Lee & Utecht, LLP

(57) **CLAIM**

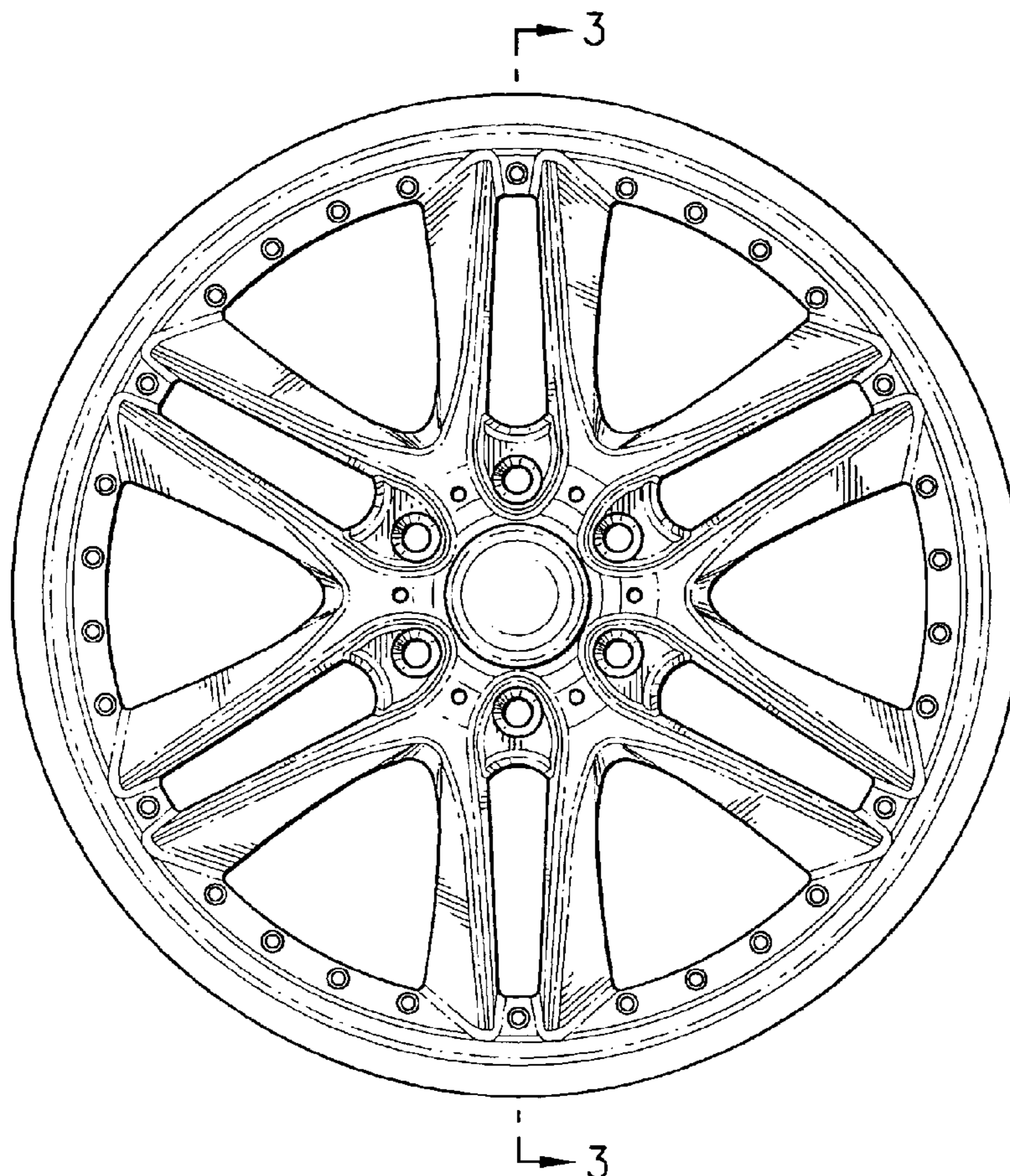
The ornamental design for the “vehicle wheel,” as shown and described.

DESCRIPTION

FIG. 1 is a perspective view of the vehicle wheel showing my new design;
FIG. 2 is a front elevational view thereof; and,
FIG. 3 is a cross-sectional view taken along the lines of 3—3 of FIG. 2.
The broken line showing of environment is for illustrative purposes only and forms no part of the claimed design.

1 Claim, 3 Drawing Sheets

(56) **References Cited**
U.S. PATENT DOCUMENTS
D422,258 S * 4/2000 Hale, Jr. D12/211
D433,374 S * 11/2000 Wang D12/209
D463,769 S * 10/2002 Chung D12/211
D470,448 S * 2/2003 Kataoka D12/211
D475,670 S * 6/2003 Chung D12/209
D482,307 S * 11/2003 Lee D12/211



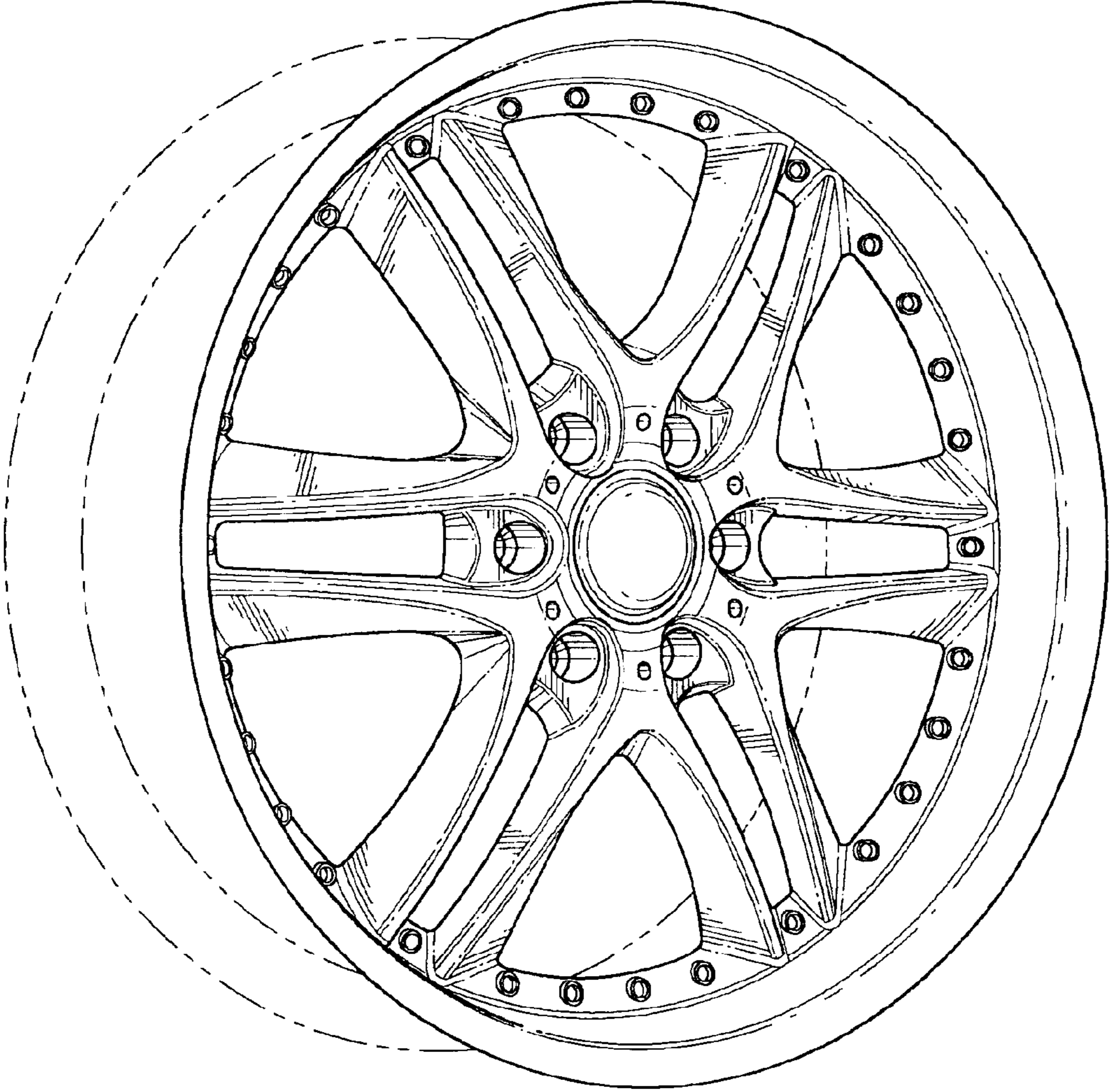


FIG. 1

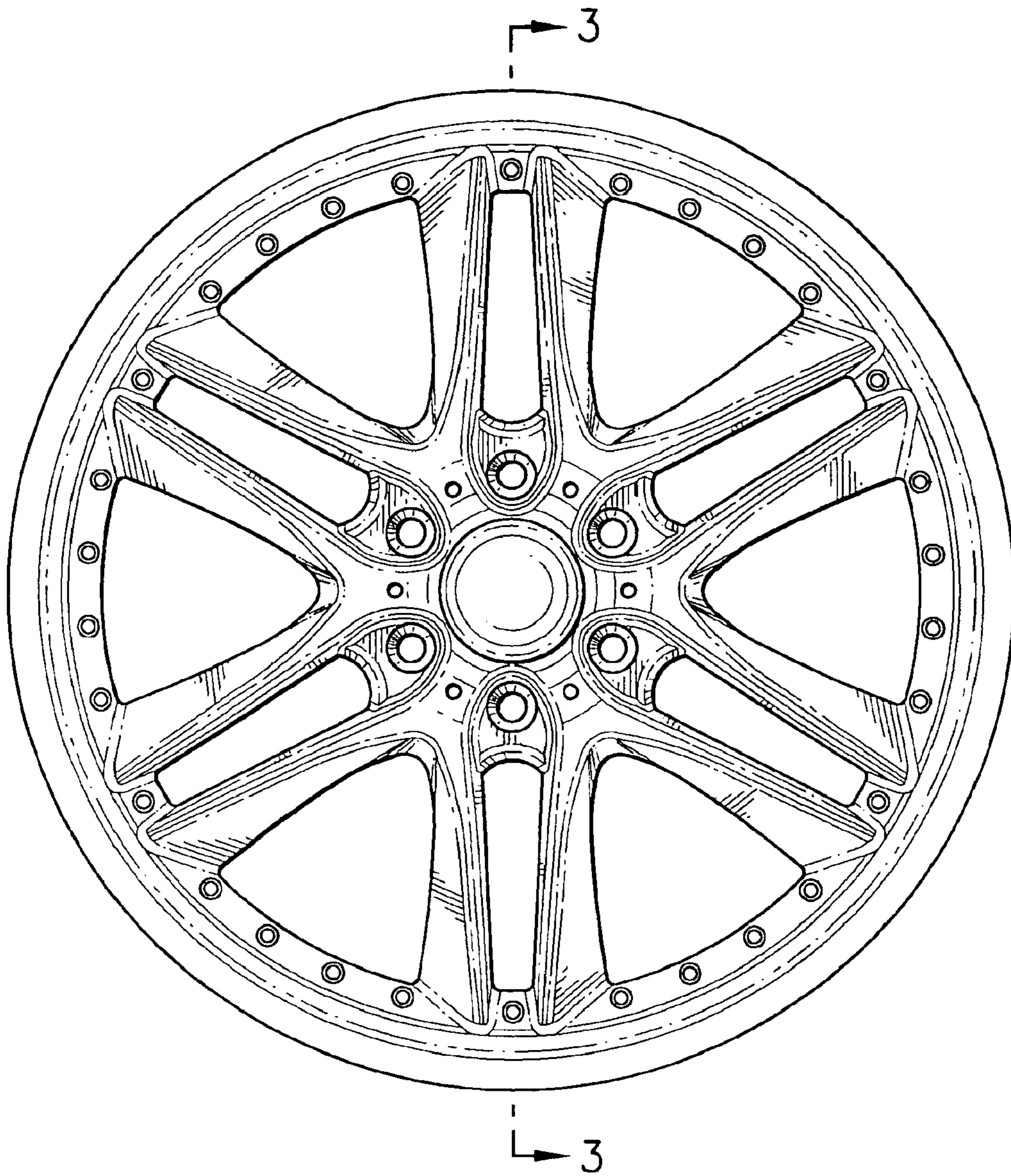


FIG. 2

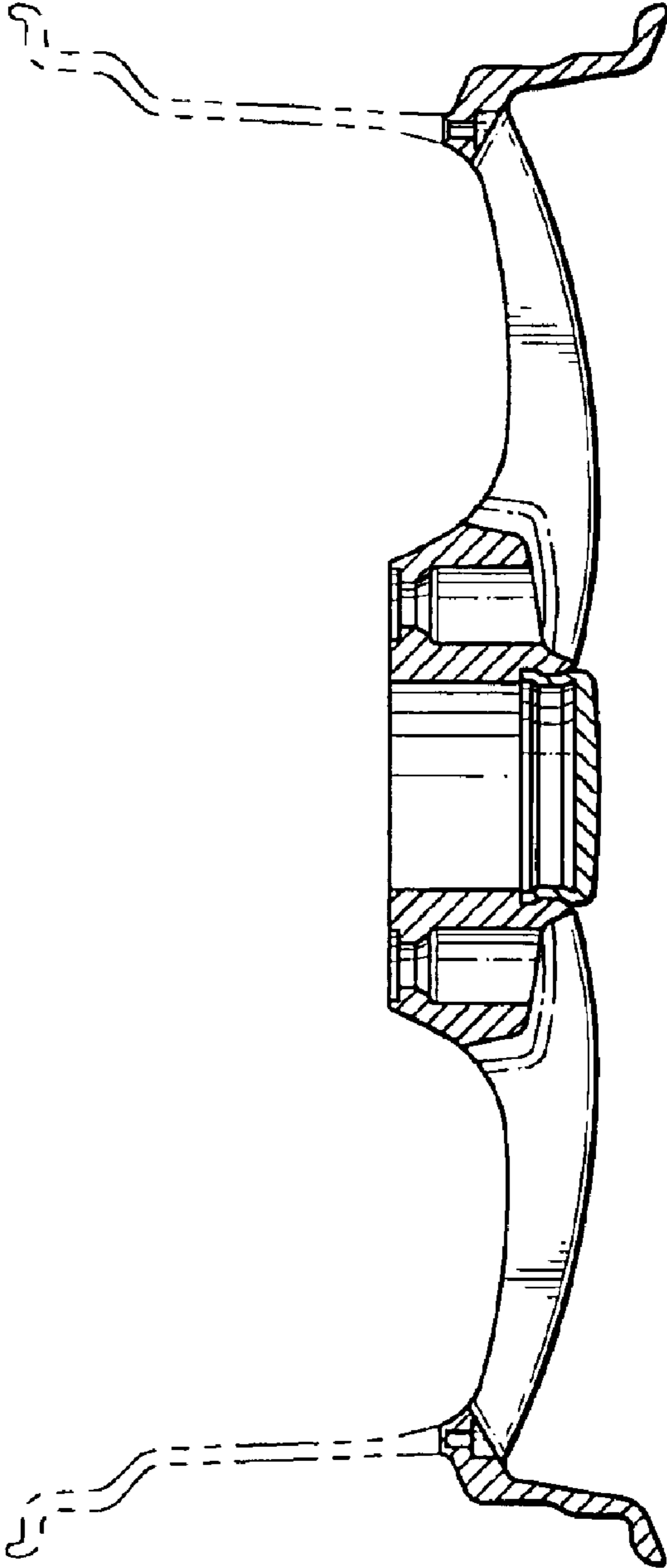


FIG. 3