

US00D503918S

(12) **United States Design Patent**
Fahr-Becker

(10) **Patent No.: US D503,918 S**

(45) **Date of Patent: ** Apr. 12, 2005**

(54) **FRONT FACE OF A VEHICLE WHEEL**

(75) **Inventor: Stephan Fahr-Becker, Munich (DE)**

(73) **Assignee: Bayerische Motoren Werke
Aktiengesellschaft, Munich (DE)**

(**) **Term: 14 Years**

(21) **Appl. No.: 29/200,241**

(22) **Filed: Feb. 26, 2004**

(30) **Foreign Application Priority Data**

Aug. 27, 2003 (GB) 403 05 622

(51) **LOC (7) Cl. 12-16**

(52) **U.S. Cl. D12/211**

(58) **Field of Search D12/204-213;
301/37.101, 64.101, 65**

(56) **References Cited**

U.S. PATENT DOCUMENTS

D431,515 S * 10/2000 Donikoglu D12/209
D432,972 S * 10/2000 Chung D12/209

D437,821 S * 2/2001 Frohlich D12/211
D454,105 S * 3/2002 Pfeiffer D12/209
D480,674 S * 10/2003 Lecher et al. D12/209
D483,313 S * 12/2003 Lenz D12/209
D490,354 S * 5/2004 Kataoka D12/209
D493,761 S * 8/2004 Kang D12/211

* cited by examiner

Primary Examiner—Stacia Cadmus

(74) *Attorney, Agent, or Firm*—Crowell & Moring LLP

(57) **CLAIM**

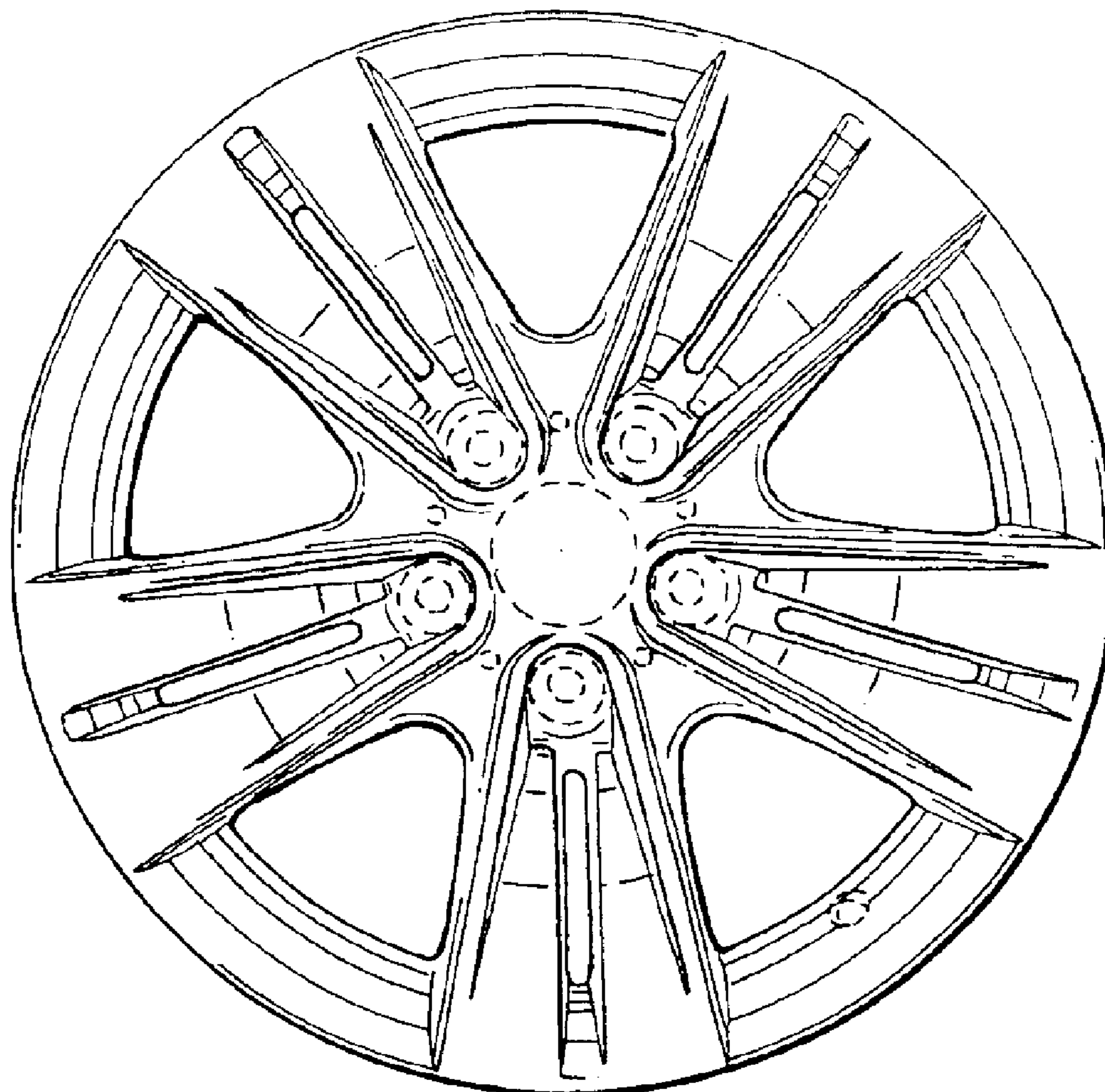
The ornamental design for a front face of a vehicle wheel, as shown and described.

DESCRIPTION

FIG. 1 is a front view of a front face of a vehicle wheel according to my novel design; and, FIG. 2 is a perspective view of the front face of a vehicle wheel according to my novel design.

The broken lines are for illustrative purposes only and form no part of the claimed design.

1 Claim, 1 Drawing Sheet



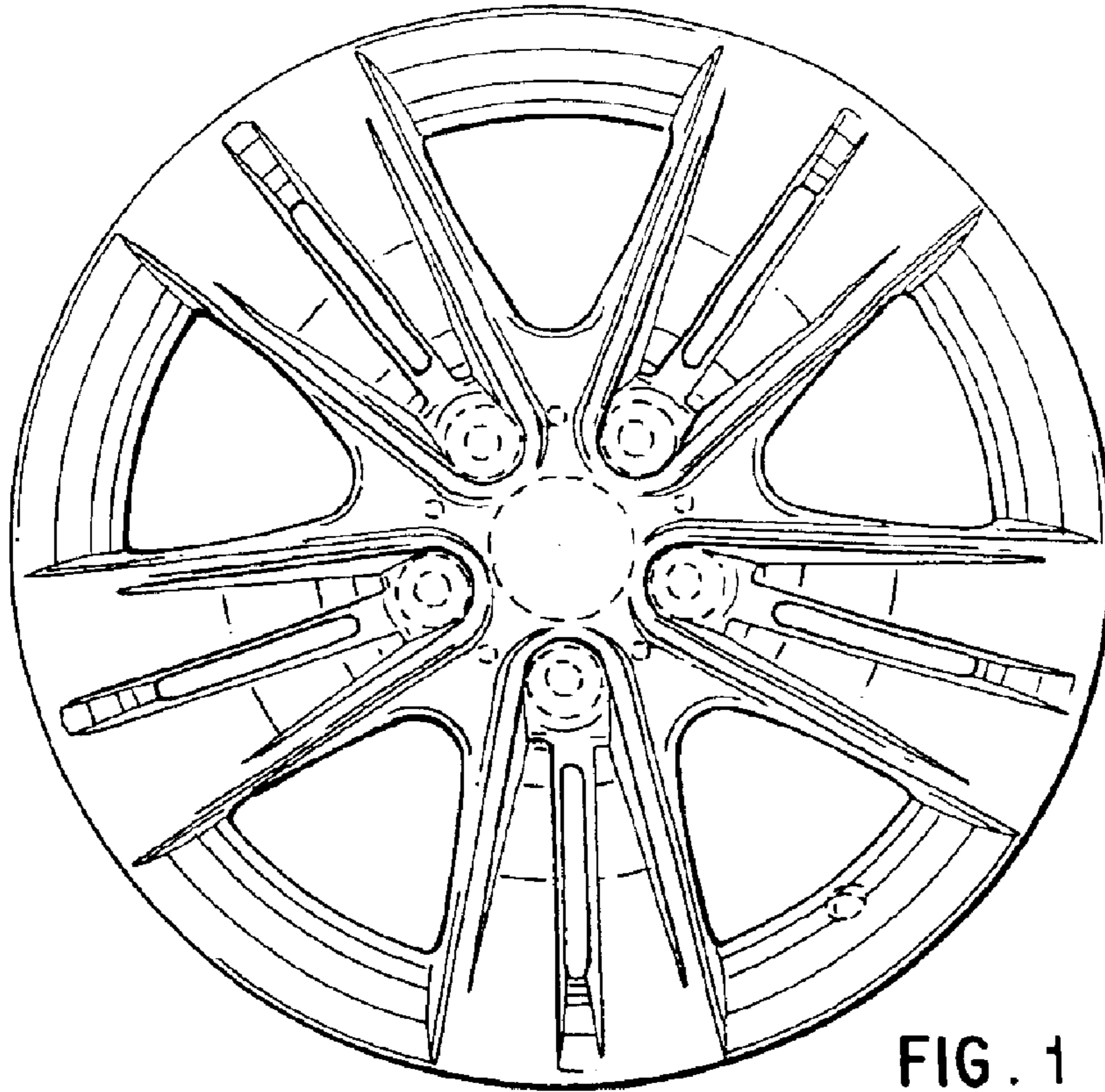


FIG. 1

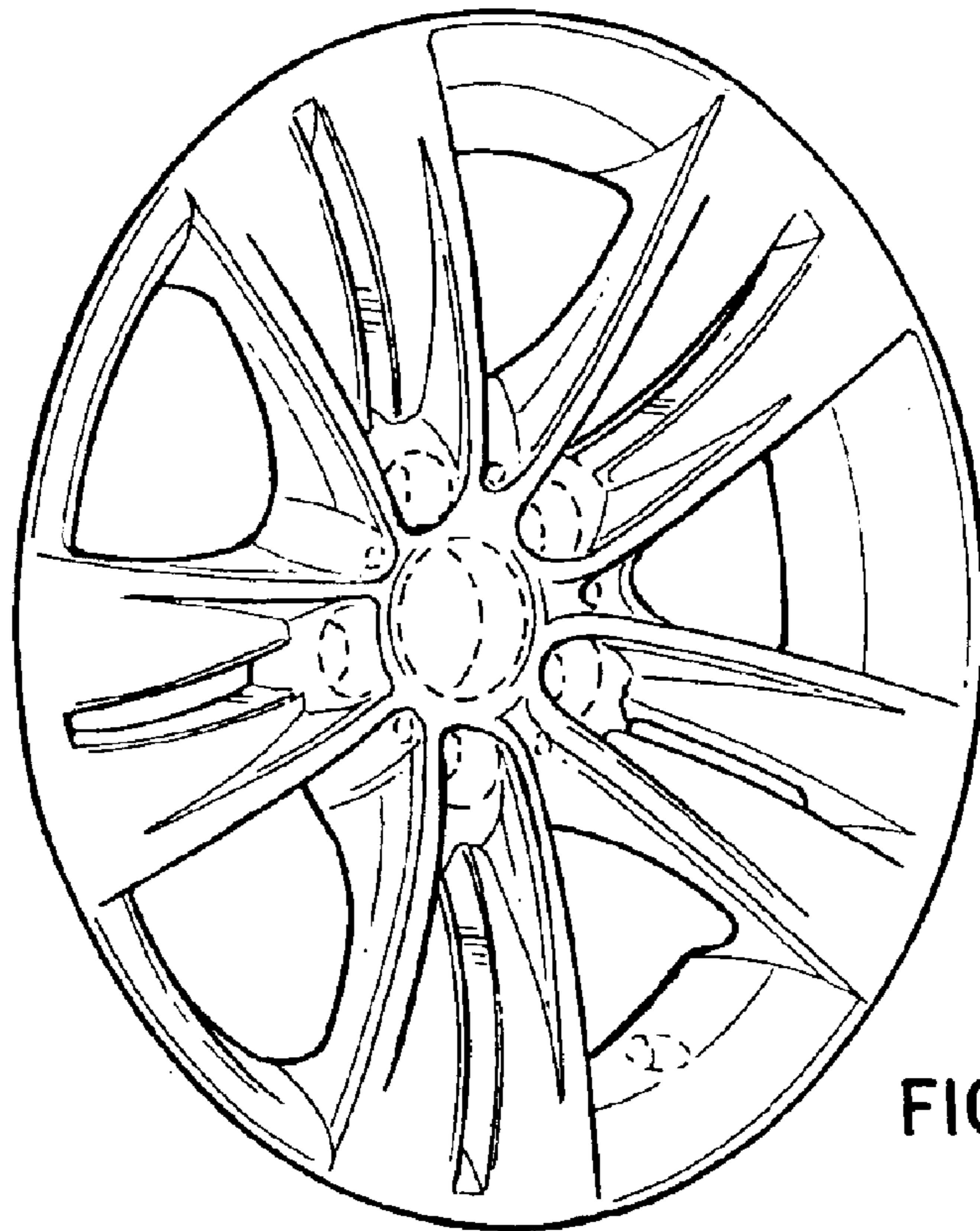


FIG. 2